

如何使用管道安装附件将 RAEGuard 3 安装到管道

1. 用户需要单独分别购买 RAEGuard 3 可燃及有毒有害气体探测器和管道安装附件套件；
2. 依据 RAEGuard 3 管道安装图（图 2），需要提前使用者为安装探测器提供合适的平面法兰；
3. 安装过程如下：

* 这些材料需要客户自行购买。

- 请先在管道平面法兰上分别开 4 个 M6 和 2 个 M3 的孔；
- 用 2 个 M3x8 的螺钉将 2 个 C 型法兰固定在管道平面法兰的里面；
- 用 4 个 M6x25 螺栓将“固定用法兰”固定在管道平面法兰上；
- 将密封圈放入“固定用法兰”中合适的位置；
- 将探测器的传感器接头最前端的螺纹旋入“固定用法兰”上的圆孔；
- 用“标定/通气测试堵头”将“固定用法兰”上的标定或通气测试孔堵上。

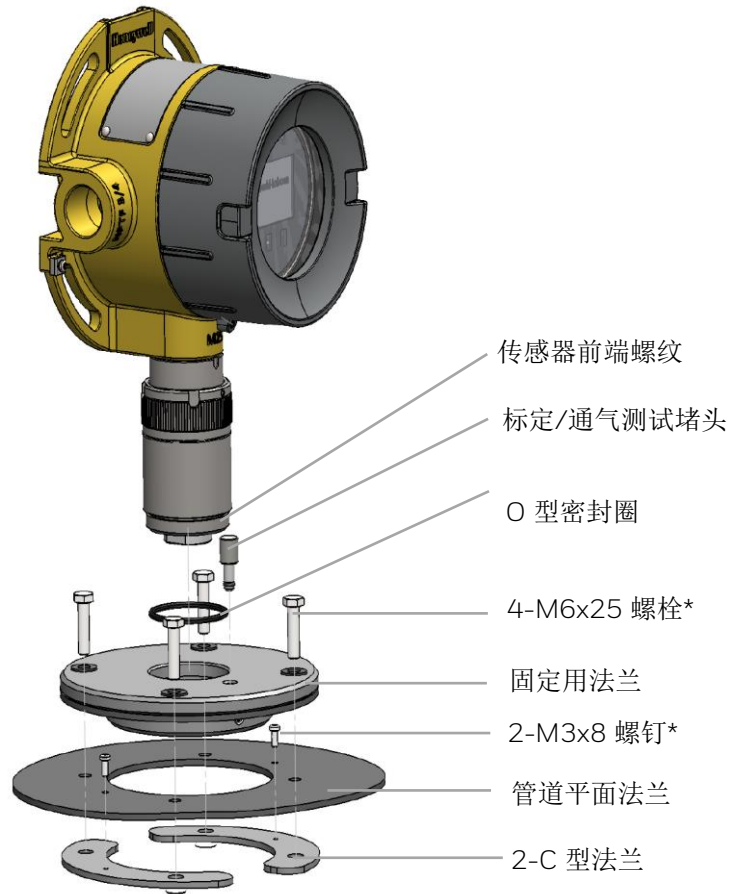


图 1

How RAEGuard 3 install to duct with Duct Mounted Kit(C07-2013-000)

1. Users should order RAEGuard 3 gas detector and Duct Mounted Kit respectively.
2. In accordance with the machinal drawing (**Figure 2**) of Duct Mounted Kit, pre-collaborate with users carefully for how to reserve the suitable position.
3. Installed process as following:
 - * This material needs to provide by users.

- Firstly, please drill 4-M6 and 2-M3 holes on mounted duct respectively.
- Mount two C-flanges with 2-M3x8 screw onto duct.
- Align “Duct nut” and corresponding hole, then screw 4-bolt M6x25 tightly
- Put seal O-ring into correct position
- Tighten RG3 detector via sensor thread in the front of sensor module securely
- Block the reserved hole for calibration or bump-test with “Inlet sealing cap” preventing gas leakage

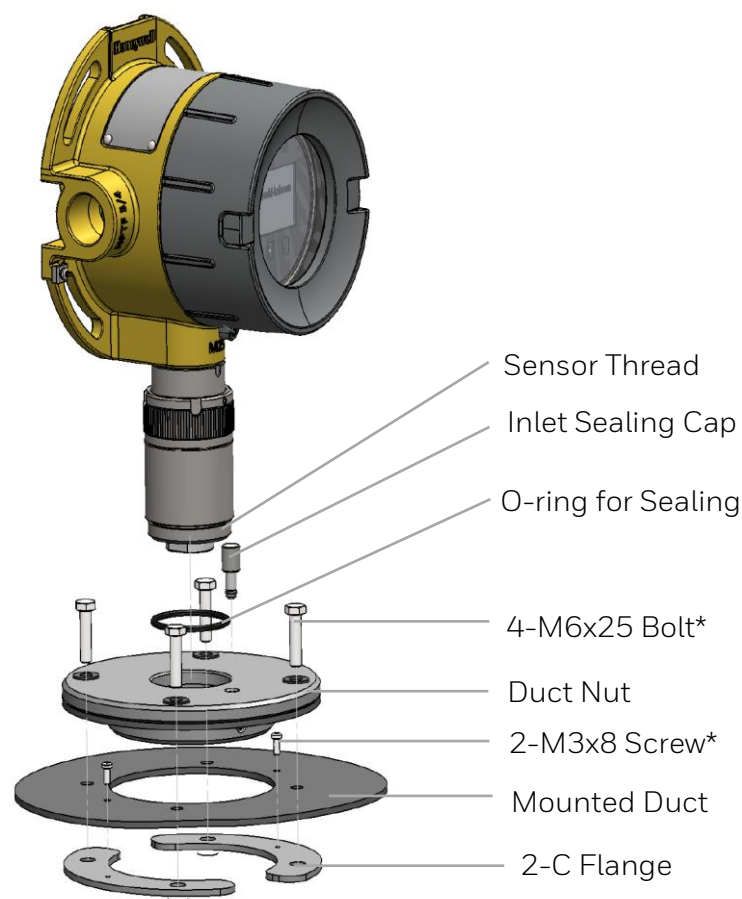


Figure 1

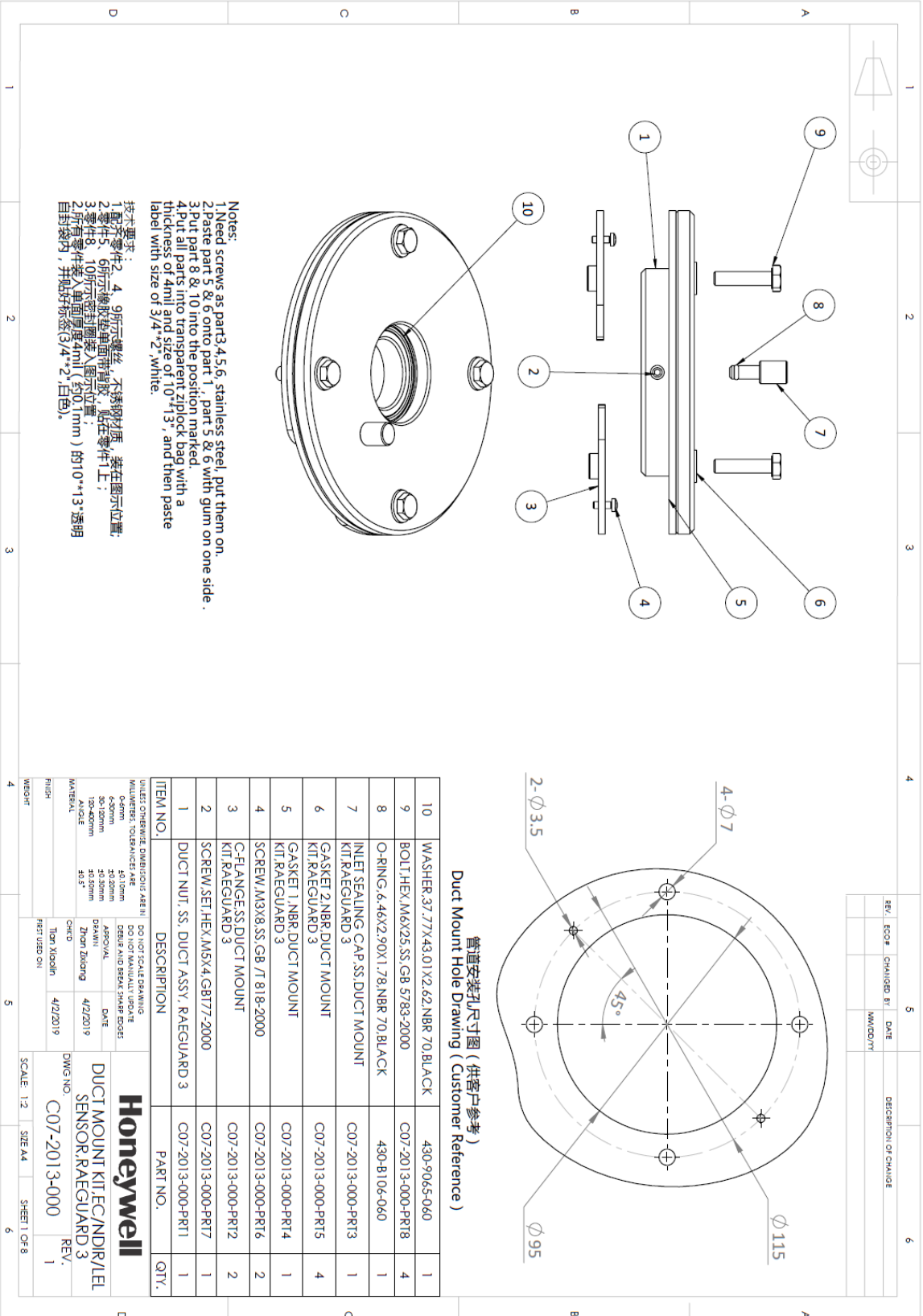


Figure 2 (2)