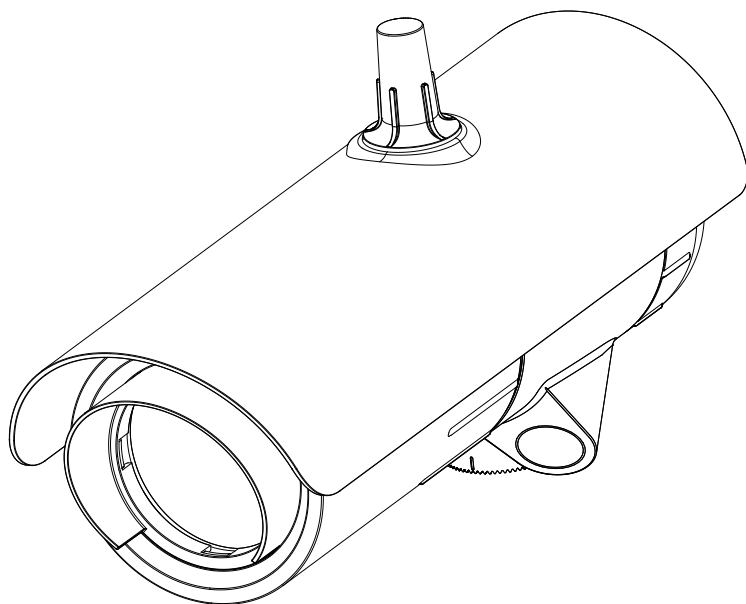


QUICK START GUIDE

SEARCHLINE EXCEL™ PLUS

Open Path Flammable Gas Detector



Honeywell

ENGLISH.....	3
DEUTSCH.....	13
FRANÇAIS.....	23
FRANÇAIS CANADIEN.....	33
NEDERLANDS.....	43
ITALIANO.....	53
ESPAÑOL.....	63
PORTUGUÊS.....	73
РУССКИЙ.....	83
英文.....	93

Searchline Excel™ Plus is a 3rd generation of Open Path Flammable Hydrocarbon Gas Leak Detectors (OPFGD) designed to detect and alert to the presence of a range of flammable hydrocarbon gases. Searchline Excel Plus is an advanced OPFGD detector for Safety applications with coverage from 2 m to 120 m (6 to 393 ft) range. Searchline Excel Plus Flammable Hydrocarbon Gas Detector consists of a cooperative transmitter/receiver pair that detects the presence of a range of flammable hydrocarbon gases in the line between them. Searchline Excel Plus delivers unbeatable uptime with robust detection in the harshest conditions, penetrating even the thickest fog. It comes with mounts and sunshades as a complete system and is supported by alignment and test accessories.

Searchline Excel Plus provides local visual status indication as well as 4–20 mA with HART® and Modbus® outputs as standard. It has a Bluetooth® interface for configuration and maintenance using the Honeywell Fixed Platform App on a suitable Bluetooth-enabled device.

Searchline Excel Plus is ATEX and IECEx approved for use in either Zone 1 (gas) or Zone 21 (dust) hazardous areas as well as being cULus approved for use in Class I Division 1 or Class II Division 1 or Class III Division 1 locations.

Searchline Excel Plus is available in painted stainless steel and has two cable entries for easy wiring with either M25 or 3/4" NPT options.

⚠ WARNING

1. The Searchline Excel Plus Open Path Flammable Gas Detector is certified for and intended for use in potentially hazardous areas. Installation, operation and maintenance of the instrument must meet requirements on safety and operation in hazardous areas.
2. Installation must be in accordance with the recognized standards of the appropriate authority in the country concerned. For Europe see EN 60079-14 and EN 60079-29-2.
3. For installations in the UK, the Code of Practice SELECTION, INSTALLATION AND MAINTENANCE OF ELECTRICAL APPARATUS FOR USE IN POTENTIALLY EXPLOSIVE ATMOSPHERES should be strictly observed. General recommendations are given in BS EN 60079-14 & IEC 60079-14. Refer to BS EN 60079-29-2 & IEC 60079-29-2 in the UK or the appropriate local or national regulations.
4. For installations in North America, the national Electrical Code (NFPA 70) or later issues should be strictly observed.
5. The Searchline Excel Plus Open Path Flammable Gas Detector transmitters and receivers must be properly earthed to protect against electrical shock and minimise electrical interference. For electrical installation design considerations refer to chapter 6 Electrical Installation.
6. Operators must be fully aware of the action to be taken if the gas concentration exceeds an alarm level.
7. Dismantling or repair of equipment should be carried out in the safe area only.
8. Test gases may be toxic and/or combustible. Refer to Material Safety Sheets for appropriate warnings.
9. Do NOT drill holes in any housing as this will invalidate the explosion protection.
10. In order to maintain electrical safety, the instruments must NOT be operated in atmospheres containing more than 21% oxygen.
11. Ensure that the bolts which secure flame-proof enclosures are fully tightened. The securing bolts used are made from a special certified grade of steel. Only bolts supplied by Honeywell Analytics should be fitted for this purpose.
12. Do NOT open the enclosure in the presence of an explosive atmosphere.
13. The transmitter unit contains high voltages when operational. These are discharged when the unit is removed from its enclosure.
14. The conduit and cable glands fitted to Searchline Excel Plus transmitter and receiver should NOT be modified. If, however, it becomes necessary to make modifications they must comply with the relevant national Codes of Practice.
15. The irradiance and power emitted by the Searchline Excel Plus transmitters is less than 5 mW/mm² and 15 mW/mm² respectively. This is designated as eye safe.

WARNING

16. The equipment is NOT intended to be mounted onto surfaces which may act as sources of heating or cooling.
17. Do NOT operate the instruments outside the temperature range stated in the Specification section.
18. Do NOT open the front enclosures. Doing so will invalidate the warranty. Front enclosures may be opened only for advised repair maintenance by an authorized and qualified person.
19. Do NOT modify or alter the construction of the product as essential safety and certification requirements may be invalidated.
20. Installation, set-up and maintenance must be conducted only by trained personnel. Refer to the manual at all times.
21. Access to the interior of the product, when carrying out any work, must be conducted only by trained personnel.
22. The plastic transport cap supplied must be replaced with suitably certified closers (such as glands or stopping plugs) prior to commissioning. Failure to do so presents a potential source of ignition. One certified stopping plug is supplied as standard.
23. Do NOT rely on the local visual indicator for safety related purposes.

CAUTION

1. A mobile device with Honeywell Fixed Platform App installed is a prerequisite for detector settings adjustment made via the Bluetooth connection.
2. Commissioning or proof test of Searchline Excel Plus is not complete until the unit is tested to verify that it functions according to its specifications.

NOTE:

If the last connection and synchronization between Honeywell Fixed Platform App and the server was established **more than 1 year previously**, a caution message will be shown in the App with request to establish an Internet connection and renew security certificate. This will NOT affect instrument's operation.

WHAT'S IN THE BOX?

- 1 Searchline Excel Plus receiver (box no.1)
- 1 Searchline Excel Plus transmitter (box no.2)
- 1 Universal Mounting Bracket
- 1 Plastic sunshade (stainless steel optional)
- 1 Antenna cover
- 1 Allen (hex) key, size 10
- 1 Allen (hex) key, size 8
- 1 Allen (hex) key, size 5
- 1 Allen (hex) key, size 1.5
- 1 Registration sheet
- 1 Quick Start Guide (this document)

INSTALLATION

CAUTION

1. Check the packaging for damage before opening. If the packaging shows signs of tearing, breakage or other damage, immediately inform the transport company and the supplier. Document the damage in an appropriate way (e.g., photographs).
2. Open the packaging carefully to avoid damaging the contents.
3. Examine the Searchline Excel Plus receiver and transmitter and the mount and sunshade for damage. If you find any item to be damaged in any way, immediately inform the transport company and the supplier. Document the damage in an appropriate way (e.g., photographs).

⚠ CAUTION (contd.)

4. In the case of damage:
 - a) Leave item(s) in the original packaging
 - b) Do not attempt repair, or operate the detector until the damage claim has been resolved with the supplier.
5. Installation, set-up and maintenance must be conducted only by trained and authorized personnel.
6. Do NOT open the front enclosure. The warranty of a unit, whose front enclosure has been opened, is invalidated. Front enclosures may be opened only for advised repair maintenance by an authorized and qualified person.
7. Do NOT modify the front enclosure or component parts as this will compromise the hazardous location certification and invalidate the warranty. Front enclosures may be opened only for advised repair maintenance by an authorized and qualified person.
8. Do NOT modify the construction of the detector in any way as this will invalidate the warranty.
9. Open and close the wiring compartment cover with care to avoid deformation.
10. Installation, set-up and maintenance must be conducted only by trained and authorized personnel.
11. Avoid water and dust ingress when opening the wiring compartment to protect the unshielded electronic contacts.
12. Secure the detector when loosening bracket bolts. Unwanted release may cause injury.
13. Check mating surfaces prior to assembly (threads, O-rings). Ensure that they are clean and free of contaminants.
14. Check the O-rings prior to assembly, replace if damaged with genuine parts.
15. Searchline Excel Plus is supplied without cable glands. Ensure that all cable entry threads are sealed with an appropriate plug to eliminate water ingress and thread damage. At installation, the cable entry transportation plugs must be removed and replaced with suitable cable glands, thread adapters or blanking plugs to meet local hazardous location requirements.
16. Check suitability of the blanking plug for its end use on site, ensure it meets local and national regulations.
17. Remove power from the Searchline Excel Plus instruments while installing wiring. Do NOT install wires or set up wiring with power applied.

⚠ CAUTION

If the 4–20 mA current loop is not used, a jumper must be connected between 4–20 mA+ (terminal 5) and 24V DC+ (terminal 8) and a load resistor must be connected between 4–20 mA- (terminal 6) and 0V DC (terminal 9). It is recommended to use a 470 Ohm, 1/4 W resistor (250 to 400 Ω if HART is required). With the 4–20 mA current loop configured this way the HART facility can still be used with a HART handheld unit using terminals 20 and 21 inside the wiring compartment. A HART DTM is available for Searchline Excel Plus and Searchline Excel Edge.

Searchline Excel Plus will normally be mounted at height, typically on a pole using supplied U-bolts and covering the area to be protected. The supplied Universal Mounting Bracket allows mounting on a plate, pole or other plant infrastructure. All bolts are retained to avoid loss during installation.

Searchline Excel Plus has two cable entries for easy wiring with either M25 or 3/4" NPT options. Wires are terminated at the terminal connectors as per the wiring diagram. Spare wires must be suitably terminated. Wiring must be in accordance with local, national and company regulations. Exposed or bare wires must be avoided.

Refer to **Technical Manual** for instructions on mechanical and electrical installation.

You can download the Technical Manual from www.sps.honeywell.com.

COMMISSIONING

CAUTION

1. A mobile device with Honeywell Fixed Platform App installed is a prerequisite for detector settings adjustment made via the Bluetooth connection.
2. Commissioning or proof test of Searchline Excel Plus is not complete until the unit is tested to verify that it functions according to its specifications.

1. Check that Searchline Excel Plus units are mounted and wired correctly. Refer to **Installation** section of **Technical Manual** for instructions.
2. Check that Searchline Excel Plus units are optically aligned correctly. Refer to **Alignment** section of **Technical Manual** for instructions.
3. Connect to **Honeywell Fixed Platform App** via Bluetooth.
4. Power up Searchline Excel Plus transmitter and receiver units.
5. Perform functional check and 4–20 mA Loop Integrity Test. Refer to **Commissioning** section of **Technical Manual** for instructions.
6. Check that Searchline Excel Plus units are configured as recommended by the relevant site survey document.
7. If necessary, adjust detector settings utilising **Honeywell Fixed Platform App**.
8. Check that Searchline Excel Plus safety outputs are working properly. Refer to **Maintenance** section of **Technical Manual** for instructions.

You can download the Technical Manual from www.sps.honeywell.com

USER CONFIGURABLE OPTIONS

The **Honeywell Fixed Platform App** allows to adjust the following user configurable options:

- | | |
|------------------------------|-------------------------------|
| 1. Detector ID | 13. LED intensity |
| 2. Operation mode | 14. Inhibit timeout period |
| 3. Inhibit level | 15. Set access code |
| 4. Alarm 1 setpoint – modify | 16. Normal level |
| 5. Alarm 2 setpoint – add | 17. Alarm latch |
| 6. Warning level | 18. Loop current mode |
| 7. Fault level | 19. HART poll address |
| 8. Over-range level | 20. Fault relay |
| 9. Alarm 1 level | 21. Alarm 1 relay |
| 10. Alarm 2 level | 22. Alarm 2 relay |
| 11. Proof test interval | 23. Gas reading output unit |
| 12. LED mode | 24. Response time (1,2,3 sec) |

STATUS SIGNALLING

Searchline Excel Plus is equipped with a high visibility LED status indicator.
 Refer to **Operation** section of **Technical Manual** for more information.

WARNING

LED status indicator behaviour is configurable. If LED status indicator is configured differently from the default setting, it may indicate states different to other outputs.

Operation without Bluetooth	Colour	Scheme
Fault	Yellow flashing	Default
Inhibit	Yellow steady	Default
Warning	Yellow flashing with green alternating	Default
Normal	Green steady	Default
Normal	Green flashing	Optional
Normal	None	Optional
Alarm	Red flashing	Default
Over-range	Red flashing	Default

Operation with Bluetooth	Colour	Scheme
Fault	Yellow flashing	Default
Inhibit	Yellow steady	Default
Warning	Yellow flashing with green alternating	Default
Normal	Blue steady	Default
Normal	Blue flashing	Optional
Alarm	Red flashing	Default
Over-range	Red flashing	Default
Connecting	Blue flashing	Default
Connected	Blue steady	Default
Warning	Blue alternating	Default

mA Loop Status Signaling

Mode	Default Value (mA)		Min Value (mA)	Max Value (mA)
	Discrete Mode	Proportional Mode		
Fault	1		0	3.6
Inhibit	2		1	3.6
Warning	3		1	4
Normal	4	Proportional to gas concentration	4	20
Alarm	20	Not available	4	20
Over-range	21		20	22

PERIODIC PROOF TEST

Searchline Excel Plus functionality can be verified using the Functional Test Filters (optional) or in combination with the Honeywell Fixed Platform App.

Refer to **Maintenance** section of **Technical Manual** for instructions on how to perform Basic and Advanced tests.

You can download Technical Manual from www.sps.honeywell.com.

SPECIFICATIONS

Primary Gases (Performance approved gases ^{1,2})	Searchline Excel Plus & Edge will respond to a wide range of Hydrocarbon Gases*: Methane ^{1,2} , Ethane ¹ , Propane ^{1,2} , Butane ¹ , Pentane ¹ , Hexane, Ethylene ¹ , Propylene ¹ , ¹ FM Performance Approved; ² DNV approved; The default calibration is to Universal Hydrocarbon**.	
Optional Gases	Calibration to other gases is optional and should be consulted with Honeywell.	
Range	Methane 0-5 LEL.m / 0-220,000 ppm.m Ethane 0-5 LEL.m / 0-120,000 ppm.m Propane 0-5 LEL.m / 0-85,000 ppm.m Butane 0-5 LEL.m / 0-70,000 ppm.m Pentane 0-5 LEL.m / 0-55,000 ppm.m Hexane 0-5 LEL.m / 0-50,000 ppm.m Ethylene 0-5 LEL.m / 0-115,000 ppm.m Propylene 0-5 LEL.m / 0-100,000 ppm.m	
Recommended Alarm Setting	<u>Low 1 LEL.m:</u> (and equivalent ppm.m) Methane 44,000 ppm.m Ethane 24,000 ppm.m Propane 17,000 ppm.m Butane 14,000 ppm.m Pentane 11,000 ppm.m Hexane 10,000 ppm.m Ethylene 23,000 ppm.m Propylene 20,000 ppm.m	<u>High 3 LEL.m:</u> (and equivalent ppm.m) Methane 132,000 ppm.m Ethane 72,000 ppm.m Propane 51,000 ppm.m Butane 42,000 ppm.m Pentane 33,000 ppm.m Hexane 30,000 ppm.m Ethylene 69,000 ppm.m Propylene 60,000 ppm.m
Recommended Minimum Alarm Setting	<u>0 to 0.5 LEL.m:</u> (and equivalent ppm.m) Methane 22,000 ppm.m Ethane 12,000 ppm.m Propane 8,500 ppm.m Butane 7,000 ppm.m Pentane 5,500 ppm.m Hexane 5,000 ppm.m Ethylene 11,500 ppm.m Propylene 10,000 ppm.m	
Path Length	Searchline Excel Plus: 2 m to 120 m (6 ft to 393 ft)	
Speed of Response	T90 less than 3 seconds	
Analog Output Signal	4-20 mA Normal operation, 1 mA Fault*, 2 mA Inhibit, 3 mA Warning, 21 mA Over-range, *Searchline Excel Plus will indicate Fault after 30 s without signal. This value is programmable. To comply with FM performance approval, the maximum value for Time to Block is 200 s.	
Environmental Operating Temperature	-55 °C to +75 °C (-67 °F to +167 °F); DNVGL-CG-0339 Location Class B	
Storage Temperature Range	-55 °C to +75 °C (-67 °F to +167 °F); DNVGL-CG-0339 Location Class B	
Power Supply	24 Vdc nominal (18 Vdc to 32 Vdc)	

* Searchline Excel Plus & Edge will respond to most hydrocarbon gases as most do absorb IR in the required wavelengths.

** Calibration to Universal Hydrocarbon covers a range of specific but different gases within one calibration that meets the requirements of the performance standard.

SPECIFICATIONS

Power Consumption (average RMS)	Transmitter , for ambient operating temperature: -55°C (-67°F) to -30°C (-22°F) 11.8 W -30°C (-22°F) to +30°C (+86°F) 5.6 W above +30°C (+86°F) 3.8 W Receiver , for ambient operating temperature: -55°C (-67°F) to -30°C (-22°F) 7.4 W -30°C (-22°F) to +30°C (+86°F) 4.8 W above +30°C (+86°F) 3.0 W See Electrical Installation in Technical Manual for full details.	
Cold Start / Heat-up Power Consumption	Heat-up last approx. 20 min for both Transmitter and Receiver Transmitter: 17 W Receiver: 10 W for ambient temperature higher than -30 °C (-22 °F) 15 W for ambient temperature lower than -30 °C (-22 °F) (active heater)	
Output Signals	4–20 mA with HART, Fault relay, Alarm 1 relay, Alarm 2 relay, Modbus, Bluetooth® (range up to 20 m (66 ft), depends on mobile device and environmental conditions)	
Relay Outputs	Max. 32 Vdc/ac, max. 2 A resistive load	
Inrush Current	Transmitter: 0.5 A for less than 20 ms Receiver: 0.3 A for less than 20 ms	
Humidity	0–99 % RH Non-condensing, DNVGL-CG-0339 Location Class B	
Pressure	91.5–105.5 kPa (915–1055 mBar, non-compensated)	
Repeatability	<u>±0.4 LEL.m:</u> Methane ±17,600 ppm.m Ethane ±9,600 ppm.m Propane ±6,800 ppm.m Butane ±5,600 ppm.m Pentane ±4,400 ppm.m Hexane ±4,000 ppm.m Ethylene ±9,200 ppm.m Propylene ±8,000 ppm.m	
Temperature Drift (-55 °C to +75 °C) (-67 °F to +167 °F)	<u>±0.2 LEL.m @ zero:</u> <u>(and equivalent ppm.m)</u> Methane ±8,800 ppm.m Ethane ±4,800 ppm.m Propane ±3,400 ppm.m Butane ±2,800 ppm.m Pentane ±2,200 ppm.m Hexane ±2,000 ppm.m Ethylene ±4,600 ppm.m Propylene ±4,000 ppm.m	<u>±0.5 LEL.m @ 3LEL.m:</u> <u>(and equivalent ppm.m)</u> Methane ±22,000 ppm.m @ 132,000 ppm.m Ethane ±12,000 ppm.m @ 72,000 ppm.m Propane ±8,500 ppm.m @ 51,000 ppm.m Butane ±7,000 ppm.m @ 42,000 ppm.m Pentane ±5,500 ppm.m @ 33,000 ppm.m Hexane ±5,000 ppm.m @ 30,000 ppm.m Ethylene ±11,500 ppm.m @ 69,000 ppm.m Propylene ±10,000 ppm.m @ 60,000 ppm.m
Warm-up Time	Less than 5 minutes (operational), less than 1 hour (fully stabilised)	
Internal Battery Cell	TLH-2450, 10-year lifetime (replaced only by authorized service)	
Weight	Searchline Excel Plus: Rx 6.1 kg (13.4 lbs), Tx 6.0 kg (13.2 lbs) Universal Mounting Bracket: 3.1 kg (6.9 lbs) Stainless Steel Mount Plate Adaptor: 3.71 kg (8.18 lbs) Stainless Steel	
Dimensions	Searchline Excel Plus transmitter and receiver: 103 mm dia x 325 mm x 180 mm (4.06" dia x 12.8" x 7.09") Universal Mounting Bracket: 165 mm x 165 mm x 130 mm (6.5" x 6.5" x 5.12") Mount Plate Adaptor: 210 mm x 210 mm x 127 mm (8.23" x 8.23" x 5")	

SPECIFICATIONS

Ingress Protection	<p>IP 66 / 67 (Type 4X, in accordance with NEMA 250)^{1,2}</p> <p>¹ IP and/or corrosion resistance ratings refer to the instrument enclosure protection. They do not imply that the instrument will detect gas during and immediately after exposure to those conditions</p> <p>² Refer to Maintenance in Technical Manual for recommendations and maintenance requirements regarding deluge and flooding</p> <p>Resistance to salt mist and sulphuric atmosphere (15-60 minutes exposure to salt air/mist; 15-60 minutes to sulphuric atmosphere)</p>
Accessories	<p>2331B1020 Large Adjustable Mounting Bracket</p> <p>2017B0113 Stainless Steel Sunshade</p> <p>2017B0299 Alignment Scope</p> <p>2017B0218 Functional Test Filters</p> <p>Functional Test Filters Extender</p> <p>2017B0185 Gassing Test Cell</p> <p>Hazardous Area Mobile Phone</p> <p>Honeywell Fixed Platform App¹</p> <p>¹ tested with Ecom Smart EXO2 mobile phone. Other phones and tablets running Android 5.1 or higher may work, but Honeywell does not guarantee full functionality.</p>
Spares	<p>2331B1100 Spare Universal Mounting Bracket Plate</p> <p>2017B0112 Spare Standard Sunshade (Plastic)</p> <p>2331B1150 Spare Terminal Block Set (5 Pack)</p> <p>2331B1160 Spare Antenna Cover (5 Pack)</p>
Compliance to Standards	<p>Core Approvals:</p> <p>EN 50270: (EMC)</p> <p>IEC/EN 61000-6-4; Radio Equipment Directive 2014/53/EU</p> <p>IEC/EN/UL/CSA 61010 (Electrical Safety)</p> <p>FCC / IC</p> <p>RoHS, China RoHS</p>
Safety Approvals	<p>cULus</p> <p>Cl. I, Div.1, Gr. B,C,D, T4 (Ta -55°C to +75°C)</p> <p>Cl. II, Div.1, Gr. E,F,G, T4 (Ta -55°C to +55°C)</p> <p>Cl. III</p> <p>Cl. I, Zn. 1 AEx db ia op is IIC T4 Gb (Ta -55°C to +75°C)</p> <p>Cl. I, Zn. 1 AEx db eb ia op is IIC T4 Gb (Ta -55°C to +75°C)</p> <p>Zn. 21 AEx ia op is tb IIIC T100°C Db (Ta -55°C to +55°C)</p> <p>Ex db ia op is IIC T4 Gb X (Ta -55°C to +75°C)</p> <p>Ex db eb ia op is IIC T4 Gb X (Ta -55°C to +75°C)</p> <p>Ex ia op is tb IIIC T100°C Db X (Ta -55°C to +55°C)</p> <p>Um = 250 Vrms</p> <p>DEMKO 20 ATEX 2281X / IECEx UL 20.0009X / UL21UKEX2047X</p> <p>(Ex d install) Ex db ia op is IIC T4 Gb (Ta -55°C to +75°C) or</p> <p>(Ex de install) Ex db eb ia op is IIC T4 Gb (Ta -55°C to +75°C)</p> <p>Ex ia op is tb IIIC T100°C Db (Ta -55°C to +75°C)</p> <p>Um = 250 Vrms</p> <p>Performance Approvals</p> <p>FM 60079-29-4 /UL 60079-29-4</p> <p>Functional Safety (SIL)</p> <p>SIL 2 certified by TÜV (SÜD) to EN61508</p> <p>Core Approvals</p> <p>EN 50270: (EMC) IEC/EN 61000-6-4; Radio Equipment Directive 2014/53/EU</p> <p>IEC/EN/UL/CSA 61010 (Electrical Safety); FCC / IC; RoHS, China RoHS</p>

WARRANTY

Honeywell Analytics warrants the Searchline Excel Plus Open Path Flammable Gas Detector transmitter and receiver for 5 years against defective parts and workmanship.

This warranty does not cover consumable, batteries, fuses, normal wear and tear, or damage caused by accident, abuse, improper installation, unauthorized use, modification or repair, ambient environment, poisons, contaminants or abnormal operating conditions.

This warranty does not apply to sensors or components that are covered under separate warranties, or to any 3rd-party cables and components.

In no event shall Honeywell Analytics be liable for any damages or injury of any nature or kind, no matter how caused, that arise from incorrect handling or use of this equipment.

In no event shall Honeywell Analytics be liable for any equipment malfunction or damages whatsoever, including (without limitation) incidental, direct, indirect, special, and consequential damages, damages for loss of business profits, business interruption, loss of business information, or other pecuniary loss, resulting from the incorrect installation or use of this equipment.

Any claim under the Honeywell Analytics Product Warranty must be made within the warranty period and as soon as reasonably practicable after a defect is discovered. Please contact your local Honeywell Analytics Service representative to register your claim.

This is a summary. For full warranty terms please refer to the ***Honeywell General Statement of Limited Product Warranty***, which is available on request.

NOTE:

Keep the Registration sheet safely for future reference.

Searchline Excel™ Plus ist ein OPFGD (Open Path Flammable Hydrocarbon Gas Leak Detector) der 3. Generation, der in der Lage ist, das Vorhandensein verschiedener entzündlicher Kohlenwasserstoffgase zu erkennen und zu melden. Searchline Excel Plus ist ein hochmoderner OPFGD-Detektor für Sicherheitsanwendungen mit einer Reichweite von 2 m bis 120 m. Der Searchline Excel Plus Flammable Hydrocarbon Gas Detector besteht aus einer Kombination aus Sender und Empfänger, die verschiedene zwischen ihnen vorhandene entzündliche Kohlenwasserstoffgase erkennen können. Searchline Excel Plus bietet eine unübertroffene Betriebskontinuität und zuverlässige Erkennungsfunktionen selbst unter widrigsten Bedingungen wie etwa bei äußerst dichtem Nebel. Zum Lieferumfang gehören Halterungen und Sonnenschutzvorrichtungen als vollständiges System, unterstützt von Ausrichtungs- und Testzubehör. Searchline Excel Plus bietet serienmäßig lokale visuelle Statusanzeigen sowie 4–20 mA mit HART®- und Modbus®-Ausgängen. Es verfügt über eine Bluetooth®-Schnittstelle für Konfiguration und Wartung mit der Honeywell Fixed Platform-App auf einem geeigneten Bluetooth-fähigen Gerät. Searchline Excel Plus ist nach ATEX und IECEx zur Verwendung in Gefahrenbereichen der Zone 1 (Gas) oder Zone 21 (Staub) zugelassen sowie nach cULus zur Verwendung an Standorten der Klasse I Unterabteilung 1 oder der Klasse II Unterabteilung 1 oder der Klasse III Unterabteilung 1 zugelassen. Searchline Excel Plus ist in Edelstahl (mit Lackierung) erhältlich und bietet zwei Kabeleingänge zur einfachen Verdrahtung mit M25- oder 3/4"-NPT-Optionen.

⚠️ WARNUNG

1. Der Searchline Excel Plus Open Path Flammable Gas Detector ist für die Verwendung in potenziellen Gefahrenbereichen gedacht und zertifiziert. Installation, Betrieb und Wartung des Geräts müssen den Anforderungen an die Sicherheit und den Betrieb in explosionsgefährdeten Bereichen entsprechen.
2. Die Installation muss in Übereinstimmung mit den anerkannten Standards der zuständigen Behörde in dem betreffenden Land erfolgen. Für Europa vgl. EN 60079-14 und EN 60079-29-2.
3. Bei Installationen in Großbritannien muss der Code of Practice SELECTION, INSTALLATION AND MAINTENANCE OF ELECTRICAL APPARATUS FOR USE IN POTENTIALLY EXPLOSIVE ATMOSPHERES strengstens eingehalten werden. Allgemeine Empfehlungen sind in BS EN 60079-14 und IEC 60079-14 enthalten. Vgl. BS EN 60079-29-2 und IEC 60079-29-2 in Großbritannien oder ähnliche einschlägige Regulierungen auf Landes- oder regionaler Ebene.
4. Bei Installationen in Nordamerika sind der National Electrical Code (NFPA 70) oder neuere Versionen strengstens einzuhalten.
5. Sender und Empfänger des Searchline Excel Plus Open Path Flammable Gas Detector müssen korrekt geerdet sein, um den Schutz gegen Stromschläge zu gewährleisten und elektrische Störeinflüsse zu minimieren. Hinweise zur Ausführung der Elektroinstallation finden Sie in Kapitel 6 Elektroinstallation.
6. Die Betreiber müssen genau wissen, welche Maßnahmen zu ergreifen sind, wenn die Gaskonzentration eine Alarmstufe überschreitet.
7. Demontage oder Reparatur der Geräte dürfen nur in einem sicheren Bereich durchgeführt werden.
8. Testgase können giftig und/oder brennbar sein. Entsprechende Warnhinweise finden Sie in den Material-Sicherheitsdatenblättern.
9. Bohren Sie KEINE Löcher in ein Gehäuse, da dies den Explosionsschutz aufhebt.
10. Zur Wahrung der elektrischen Sicherheit dürfen die Geräte NICHT in Atmosphären betrieben werden, die mehr als 21 % Sauerstoff enthalten.
11. Stellen Sie sicher, dass die Schrauben, die flammengeschützte Gehäuse sichern, vollständig angezogen sind. Die verwendeten Sicherungsschrauben bestehen aus einer speziellen zertifizierten Stahlsorte. Für diesen Zweck dürfen nur von Honeywell Analytics gelieferte Schrauben verwendet werden.
12. Öffnen Sie das Gehäuse NICHT in einer explosionsgefährdeten Atmosphäre.
13. In der Sendereinheit bestehen im Betrieb hohe Stromspannungen. Diese werden entladen, wenn das Gerät aus seinem Gehäuse entfernt wird.
14. Die am Searchline Excel Plus-Sender und -Empfänger angebrachten Durchführungen und Anschlussverschraubungen dürfen NICHT modifiziert werden. Wenn es dennoch erforderlich sein sollte, Änderungen vorzunehmen, müssen diese den in dem jeweiligen Land gültigen Bestimmungen (Codes of Practice) entsprechen.
15. Die von Searchline Excel Plus-Sendern ausgehenden Strahlungs- und Leistungswerte liegen jeweils unter 5 mW/mm² und 15 mW/mm². Diese Werte gelten als sicher für die Augen.

WARNUNG

16. Das Gerät ist NICHT zur Montage auf Oberflächen bestimmt, die als Heiz- oder Kühlquellen fungieren können.
17. Betreiben Sie die Geräte NICHT außerhalb des im Abschnitt „Spezifikationen“ angegebenen Temperaturbereichs.
18. Öffnen Sie NICHT die vordere Gehäuse. Dadurch wird die Garantie ungültig. Die vordere Gehäuse dürfen nur von autorisierten und qualifizierten Personen für erforderliche Reparatur- und Wartungsarbeiten geöffnet werden.
19. Modifizieren oder verändern Sie NICHT die Konstruktion des Produkts, da dadurch essenzielle Sicherheits- und Zertifizierungsanforderungen verletzt werden könnten.
20. Installation, Einrichtung und Wartung dürfen nur von Fachpersonal durchgeführt werden. Konsultieren Sie dabei stets das Handbuch.
21. Nur Fachpersonal darf bei der Durchführung von Arbeiten jeglicher Art auf das Innere des Produkts zugreifen.
22. Die mitgelieferte Kunststoff-Transportkappe muss vor der Inbetriebnahme durch entsprechend zertifizierte Schließmittel (z. B. Verschraubungen oder Stopfen) ersetzt werden. Andernfalls ist das Gerät eine potenzielle Zündquelle. Standardmäßig gehört ein zertifizierter Stopfen zum Lieferumfang.
23. Verlassen Sie sich für sicherheitsrelevante Zwecke NICHT auf die lokale visuelle Anzeige.

VORSICHTSHINWEISE

1. Für die Einstellung des Detektors über die Bluetooth-Verbindung ist ein Mobilgerät mit der Honeywell Fixed Platform-App erforderlich.
2. Inbetriebnahme oder Wiederholungsprüfung des Searchline Excel Plus-Geräts sind erst abgeschlossen, wenn das Gerät zur Überprüfung seiner Funktion gemäß seinen Spezifikationen getestet wurde.

HINWEIS:

Wenn die letzte Verbindungseinrichtung und Synchronisierung zwischen der Honeywell Fixed Platform-App und dem Server **mehr als ein Jahr zurückliegt**, wird in der App eine Warnung mit der Aufforderung angezeigt, eine Internetverbindung herzustellen und das Sicherheitszertifikat zu erneuern. Dies wirkt sich NICHT auf den Betrieb des Geräts aus.

LIEFERUMFANG

- 1 Searchline Excel Plus-Empfänger (Karton Nr. 1)
- 1 Searchline Excel Plus-Sender (Karton Nr. 2)
- 1 Universalmontagehalterung
- 1 Kunststoff-Sonnenschutz (Edelstahl optional)
- 1 Antennenabdeckung
- 1 Innensechskantschlüssel, Größe 10
- 1 Innensechskantschlüssel, Größe 8
- 1 Innensechskantschlüssel, Größe 5
- 1 Innensechskantschlüssel, Größe 1,5
- 1 Registrierungsblatt
- 1 Kurzanleitung (dieses Dokument)

INSTALLATION

VORSICHTSHINWEISE

1. Überprüfen Sie die Verpackung vor dem Öffnen auf Beschädigungen. Wenn die Verpackung Anzeichen von Rissen, Bruch oder anderen Beschädigungen aufweist, informieren Sie unverzüglich das Transportunternehmen und den Lieferanten darüber. Dokumentieren Sie die Beschädigungen in geeigneter Weise (z. B. Fotos).
2. Öffnen Sie die Verpackung sorgfältig, um Beschädigungen des Inhalts zu vermeiden.
3. Untersuchen Sie Searchline Excel Plus-Empfänger und -Sender sowie die Halterung und den Sonnenschutz auf Beschädigungen. Wenn Sie feststellen, dass ein Artikel in irgendeiner Weise beschädigt ist, informieren Sie unverzüglich das Transportunternehmen und den Lieferanten. Dokumentieren Sie die Beschädigungen in geeigneter Weise (z. B. Fotos).
4. Wenn Beschädigungen vorliegen:
 - a) Lassen Sie den/die Artikel in der Originalverpackung
 - b) Versuchen Sie nicht, den Detektor zu reparieren oder zu betreiben, bevor der Schadensfall mit dem Lieferanten reguliert wurde.
5. Installation, Einrichtung und Wartung dürfen nur von autorisiertem Fachpersonal durchgeführt werden.
6. Öffnen Sie NICHT das vordere Gehäuse. Wenn das vordere Gehäuse eines Geräts geöffnet wurde, entfallen alle Garantiesprüche. Die vorderen Gehäuse dürfen nur von autorisierten und qualifizierten Personen für erforderliche Reparatur- und Wartungsarbeiten geöffnet werden.
7. Verändern Sie das vordere Gehäuse oder Komponententeile NICHT, da dadurch die Zertifizierung für explosionsgefährdete Orte ungültig wird und die Garantie erlischt. Die vorderen Gehäuse dürfen nur von autorisierten und qualifizierten Personen für erforderliche Reparatur- und Wartungsarbeiten geöffnet werden.
8. Verändern Sie die Konstruktion des Detektors NICHT in irgendeiner Weise, da dadurch die Garantie erlischt.
9. Öffnen und schließen Sie das Kabelfach nur sehr Vorsichtig, um Verformungen zu vermeiden.
10. Installation, Einrichtung und Wartung dürfen nur von autorisiertem Fachpersonal durchgeführt werden.
11. Vermeiden Sie das Eindringen von Wasser und/oder Staub in das Kabelfach, um die nicht abgeschirmten elektronischen Kontakte zu schützen.
12. Sichern Sie den Detektor, wenn Sie die Halterungsschrauben lösen. Wird das Gerät unbeabsichtigt fallengelassen, kann dies zu Verletzungen führen.
13. Überprüfen Sie vor der Montage die Kontaktflächen (Gewinde, O-Ringe). Achten Sie darauf, dass diese sauber und frei von Verunreinigungen sind.
14. Überprüfen Sie die O-Ringe vor der Montage, und ersetzen Sie sie durch Originalteile, wenn sie beschädigt sind.
15. Searchline Excel Plus wird ohne Kabelverschraubungen geliefert. Stellen Sie sicher, dass alle Kabeleingangsgewinde mit einem geeigneten Stopfen verschlossen sind, um das Eindringen von Wasser und Beschädigungen des Gewindes zu vermeiden. Bei der Installation müssen die Kabeleingangsstopfen entfernt und durch die korrekten Kabelverschraubungen, Gewindeadapter oder Blindstopfen ersetzt werden, um die vor Ort geltenden Bestimmungen für explosionsgefährdete Standorte zu erfüllen.
16. Prüfen Sie, ob der Blindstopfen für seinen Zweck geeignet ist, und stellen Sie sicher, dass er allen landesweit und regional geltenden Bestimmungen entspricht.
17. Trennen Sie für die Installation der Verkabelung die Searchline Excel Plus-Instrumente von der Stromversorgung. Bei bestehender Stromversorgung dürfen KEINE Kabel installiert oder die Verkabelung eingerichtet werden.

VORSICHTSHINWEISE

Wenn die 4-20-mA-Stromschleife nicht verwendet wird, muss ein Jumper zwischen 4-20 mA+ (Terminal 5) und 24V DC+ (Terminal 8) angebracht werden; dazu muss ein Lastwiderstand zwischen 4 UND 20 mA (Terminal 6) und 0 V DC (Terminal 9) angebracht werden. Wenn HART erforderlich ist, ist die Verwendung eines 470 Ohm-, 1/4 W-Widerstands (250 bis 400 Ω erforderlich). Wenn die 4-20-mA-Stromschleife so konfiguriert ist, kann die HART-Funktion weiterhin mit einem HART-Handheldgerät über die Terminals 20 und 21 im Kabelfach verwendet werden.

Searchline Excel Plus wird normalerweise hoch montiert, in der Regel an einem Pfahl mit mitgelieferten U-Schrauben und unter Abdeckung des zu überwachenden Bereichs. Die im Lieferumfang enthaltene Universal-Montagehalterung ermöglicht die Montage auf einer Platte, an einem Pfahl oder an anderen Infrastrukturelementen der Einrichtung. Alle Schrauben sind gesichert, um zu verhindern, dass sie bei der Installation verloren gehen.

Searchline Excel Plus verfügt über zwei Kabeleingänge zur einfachen Verkabelung mit M25- oder 3/4"-NPT-Optionen. Die Kabel sind an den Terminalanschlüssen gemäß Anschlussbild terminiert. Nicht genutzte Kabel müssen in geeigneter Weise terminiert werden. Die Verkabelung muss den vor Ort, landesweit und unternehmensintern geltenden Bestimmungen entsprechen. Freiliegende oder blanke Drähte müssen vermieden werden.

Anweisungen zur mechanischen und elektrischen Installation finden Sie im **technischen Handbuch**.

Sie können das technische Handbuch auf www.sps.honeywell.com herunterladen.

INBETRIEBNAHME

VORSICHTSHINWEISE

1. Für die Einstellung des Detektors über die Bluetooth-Verbindung ist ein Mobilgerät mit der Honeywell Fixed Platform-App erforderlich.
2. Inbetriebnahme oder Wiederholungsprüfung des Searchline Excel Plus-Geräts sind erst abgeschlossen, wenn das Gerät zur Überprüfung seiner Funktion gemäß seinen Spezifikationen getestet wurde.

1. Überprüfen Sie, ob die Searchline Excel Plus-Geräte korrekt montiert und verkabelt sind. Anweisungen finden Sie im Abschnitt **Installation** des **technischen Handbuchs**.
2. Überprüfen Sie, ob die Searchline Excel Plus-Geräte korrekt ausgerichtet sind. Anweisungen finden Sie im Abschnitt **Ausrichtung** des **technischen Handbuchs**.
3. Stellen Sie über Bluetooth eine Verbindung zur **Honeywell Fixed Platform-App** her.
4. Schalten Sie den Searchline Excel Plus-Sender und -Empfänger ein.
5. Führen Sie eine Funktionsprüfung und einen 4–20-mA-Schleifenintegritätstest durch. Anweisungen finden Sie im Abschnitt **Inbetriebnahme** des **technischen Handbuchs**.
6. Überprüfen Sie, ob die Searchline Excel Plus-Geräte gemäß dem relevanten Standortübersichtsdokument konfiguriert sind.
7. Passen Sie bei Bedarf die Detektoreinstellungen mithilfe der **Honeywell Fixed Platform-App** an.
8. Überprüfen Sie, ob die Searchline Excel Plus-Sicherheitsausgänge korrekt funktionieren. Anweisungen finden Sie im Abschnitt **Wartung** des **technischen Handbuchs**.

Sie können das technische Handbuch auf www.sps.honeywell.com herunterladen.

VOM BENUTZER KONFIGURIERBARE OPTIONEN

Die **Honeywell Fixed Platform-App** ermöglicht die Anpassung der folgenden vom Benutzer konfigurierbaren Optionen:

- | | |
|---|---------------------------------|
| 1. Meldernummer | 13. LED-Intensität |
| 2. Betriebsart | 14. Sperr-Timeout-Zeitintervall |
| 3. Sperrpegel | 15. Einstellung des |
| 4. Alarm-1-Einstellpunkt – ändern | Berechtigungs-codes |
| 5. Alarm-2-Einstellpunkt–
hinzufügen | 16. Normaler Pegel |
| 6. Warnpegel | 17. Alarmverriegelung |
| 7. Fehlerpegel | 18. Schleifenstrom-Modus |
| 8. Überbereichspegel | 19. HART-Abfrageadresse |
| 9. Alarm 1-Pegel | 20. Fehlerrelais |
| 10. Alarm 2-Pegel | 21. Alarm 1-Relais |
| 11. Prüftest-Intervall | 22. Alarm 2-Relais |
| 12. LED-Modus | 23. Ausgabeeinheit Gasablesung |
| | 24. Ansprechzeit (1,2,3 Sek.) |

STATUS-SIGNALISIERUNG

Searchline Excel Plus ist mit einer gut sichtbaren LED-Statusanzeige ausgestattet.

Weitere Informationen finden Sie im Abschnitt **Betrieb** des **technischen Handbuchs**.

WARNUNG

Das Verhalten der LED-Statusanzeige ist konfigurierbar. Wenn die LED-Statusanzeige anders konfiguriert ist als die Standardeinstellung, kann sie andere Zustände anzeigen als andere Ausgaben.

Betrieb ohne Bluetooth	Farbe	Schema
Fehler	Gelb blinkend	Standard
Sperre	Gelb stetig	Standard
Warnung	Gelb blinkend, alternierend mit Grün	Standard
Normal	Grün stetig	Standard
Normal	Grün blinkend	Optional
Normal	Keine	Optional
Alarm	Rot blinkend	Standard
Überbereich	Rot blinkend	Standard

Bedienung mit Bluetooth	Farbe	Schema
Fehler	Gelb blinkend	Standard
Sperre	Gelb stetig	Standard
Warnung	Gelb blinkend, alternierend mit Grün	Standard
Normal	Blau stetig	Standard
Normal	Blau blinkend	Optional
Alarm	Rot blinkend	Standard
Überbereich	Rot blinkend	Standard
Verbindungsaufbau	Blau blinkend	Standard
Verbunden	Blau stetig	Standard
Warnung	Blau alternierend	Standard

mA-Schleifenstatussignalisierung

Modus	Standardwert (mA)		Mindestwert (mA)	Höchstwert (mA)
	Diskreter Modus	Proportionaler Modus		
Fehler	1		0	3.6
Sperre	2		1	3.6
Warnung	3		1	4
Normal	4	Proportional zur Gaskonzentration	4	20
Alarm	20	Nicht verfügbar	4	20
Überbereich	21		20	22

PERIODISCHER PRÜFTEST

Der Funktionsumfang von Searchline Excel Plus kann mit den funktionalen Testfiltern (optional) oder in Kombination mit der Honeywell Fixed Platform-App erweitert werden.

Anweisungen zur Durchführung von grundlegenden und erweiterten Tests finden Sie im Abschnitt **Wartung** im **technischen Handbuch**.

Sie können das technische Handbuch auf www.sps.honeywell.com herunterladen.

SPEZIFIKATIONEN

Verfügbare Gase (Leistungsgeprüfte Gase ^{1,2})	Searchline Excel Plus & Edge reagiert auf eine Vielzahl von Kohlenwasserstoffgasen*: Methan ^{1,2} , Ethan ¹ , Propan ^{1,2} , Butan ¹ , Pentan ¹ , Hexan, Ethylen ¹ , Propylen ¹ ; ¹ FM-Leistungszulassung; ² DNV-Zulassung Die Standardkalibrierung ist auf Universal-Kohlenwasserstoff**.																																								
Optionale Gase	Die Kalibrierung auf andere Gase ist optional und sollte mit Honeywell besprochen werden.																																								
Bereich	<table> <tr><td>Methan</td><td>0-5 LEL.m / 0-220.000 ppm.m</td></tr> <tr><td>Ethan</td><td>0-5 LEL.m / 0-120.000 ppm.m</td></tr> <tr><td>Propan</td><td>0-5 LEL.m / 0-85.000 ppm.m</td></tr> <tr><td>Butan</td><td>0-5 LEL.m / 0-70.000 ppm.m</td></tr> <tr><td>Pentan</td><td>0-5 LEL.m / 0-55.000 ppm.m</td></tr> <tr><td>Hexan</td><td>0-5 LEL.m / 0-50.000 ppm.m</td></tr> <tr><td>Ethylen</td><td>0-5 LEL.m / 0-115.000 ppm.m</td></tr> <tr><td>Propylen</td><td>0-5 LEL.m / 0-100.000 ppm.m</td></tr> </table>	Methan	0-5 LEL.m / 0-220.000 ppm.m	Ethan	0-5 LEL.m / 0-120.000 ppm.m	Propan	0-5 LEL.m / 0-85.000 ppm.m	Butan	0-5 LEL.m / 0-70.000 ppm.m	Pentan	0-5 LEL.m / 0-55.000 ppm.m	Hexan	0-5 LEL.m / 0-50.000 ppm.m	Ethylen	0-5 LEL.m / 0-115.000 ppm.m	Propylen	0-5 LEL.m / 0-100.000 ppm.m																								
Methan	0-5 LEL.m / 0-220.000 ppm.m																																								
Ethan	0-5 LEL.m / 0-120.000 ppm.m																																								
Propan	0-5 LEL.m / 0-85.000 ppm.m																																								
Butan	0-5 LEL.m / 0-70.000 ppm.m																																								
Pentan	0-5 LEL.m / 0-55.000 ppm.m																																								
Hexan	0-5 LEL.m / 0-50.000 ppm.m																																								
Ethylen	0-5 LEL.m / 0-115.000 ppm.m																																								
Propylen	0-5 LEL.m / 0-100.000 ppm.m																																								
Empfohlen Alarmeinstellung	<table> <thead> <tr> <th colspan="2"><u>Niedrig 1 LEL.m:</u></th> <th colspan="2"><u>Hoch 3 LEL.m:</u></th> </tr> <tr> <th colspan="2"><u>(und äquivalente ppm.m)</u></th> <th colspan="2"><u>(und äquivalente ppm.m)</u></th> </tr> </thead> <tbody> <tr><td>Methan</td><td>44.000 ppm.m</td><td>Methan</td><td>132.000 ppm.m</td></tr> <tr><td>Ethan</td><td>24.000 ppm.m</td><td>Ethan</td><td>72.000 ppm.m</td></tr> <tr><td>Propan</td><td>17.000 ppm.m</td><td>Propan</td><td>51.000 ppm.m</td></tr> <tr><td>Butan</td><td>14.000 ppm.m</td><td>Butan</td><td>42.000 ppm.m</td></tr> <tr><td>Pentan</td><td>11.000 ppm.m</td><td>Pentan</td><td>33.000 ppm.m</td></tr> <tr><td>Hexan</td><td>10.000 ppm.m</td><td>Hexan</td><td>30.000 ppm.m</td></tr> <tr><td>Ethylen</td><td>23.000 ppm.m</td><td>Ethylen</td><td>69.000 ppm.m</td></tr> <tr><td>Propylen</td><td>20.000 ppm.m</td><td>Propylen</td><td>60.000 ppm.m</td></tr> </tbody> </table>	<u>Niedrig 1 LEL.m:</u>		<u>Hoch 3 LEL.m:</u>		<u>(und äquivalente ppm.m)</u>		<u>(und äquivalente ppm.m)</u>		Methan	44.000 ppm.m	Methan	132.000 ppm.m	Ethan	24.000 ppm.m	Ethan	72.000 ppm.m	Propan	17.000 ppm.m	Propan	51.000 ppm.m	Butan	14.000 ppm.m	Butan	42.000 ppm.m	Pentan	11.000 ppm.m	Pentan	33.000 ppm.m	Hexan	10.000 ppm.m	Hexan	30.000 ppm.m	Ethylen	23.000 ppm.m	Ethylen	69.000 ppm.m	Propylen	20.000 ppm.m	Propylen	60.000 ppm.m
<u>Niedrig 1 LEL.m:</u>		<u>Hoch 3 LEL.m:</u>																																							
<u>(und äquivalente ppm.m)</u>		<u>(und äquivalente ppm.m)</u>																																							
Methan	44.000 ppm.m	Methan	132.000 ppm.m																																						
Ethan	24.000 ppm.m	Ethan	72.000 ppm.m																																						
Propan	17.000 ppm.m	Propan	51.000 ppm.m																																						
Butan	14.000 ppm.m	Butan	42.000 ppm.m																																						
Pentan	11.000 ppm.m	Pentan	33.000 ppm.m																																						
Hexan	10.000 ppm.m	Hexan	30.000 ppm.m																																						
Ethylen	23.000 ppm.m	Ethylen	69.000 ppm.m																																						
Propylen	20.000 ppm.m	Propylen	60.000 ppm.m																																						
Empfohlen Minimal-Alarm Einstellung	<table> <thead> <tr> <th colspan="2"><u>0 bis 0,5 LEL.m:</u></th> </tr> <tr> <th colspan="2"><u>(und äquivalente ppm.m)</u></th> </tr> </thead> <tbody> <tr><td>Methan</td><td>22.000 ppm.m</td></tr> <tr><td>Ethan</td><td>12.000 ppm.m</td></tr> <tr><td>Propan</td><td>8.500 ppm.m</td></tr> <tr><td>Butan</td><td>7.000 ppm.m</td></tr> <tr><td>Pentan</td><td>5.500 ppm.m</td></tr> <tr><td>Hexan</td><td>5.000 ppm.m</td></tr> <tr><td>Ethylen</td><td>11.500 ppm.m</td></tr> <tr><td>Propylen</td><td>10.000 ppm.m</td></tr> </tbody> </table>	<u>0 bis 0,5 LEL.m:</u>		<u>(und äquivalente ppm.m)</u>		Methan	22.000 ppm.m	Ethan	12.000 ppm.m	Propan	8.500 ppm.m	Butan	7.000 ppm.m	Pentan	5.500 ppm.m	Hexan	5.000 ppm.m	Ethylen	11.500 ppm.m	Propylen	10.000 ppm.m																				
<u>0 bis 0,5 LEL.m:</u>																																									
<u>(und äquivalente ppm.m)</u>																																									
Methan	22.000 ppm.m																																								
Ethan	12.000 ppm.m																																								
Propan	8.500 ppm.m																																								
Butan	7.000 ppm.m																																								
Pentan	5.500 ppm.m																																								
Hexan	5.000 ppm.m																																								
Ethylen	11.500 ppm.m																																								
Propylen	10.000 ppm.m																																								
Pfadlänge	Searchline Excel Plus: 2 m bis 120 m																																								
Reaktionsgeschwindigkeit	T90 unter 3 Sekunden																																								
Analoges Ausgangssignal	4-20 mA Normalbetrieb, 1 mA Fehler*, 2 mA Sperre, 3 mA Warnung, 21 mA Überbereich, *Searchline Excel Plus zeigt nach 30 Sek. ohne Signal einen Fehler an. Dieser Wert ist programmierbar. Zur Einhaltung der Bedingungen für die FM-Leistungszulassung beträgt der maximale Wert für die Blockierungszeit 200 Sek.																																								
Betriebsumgebungstemperatur	-55 °C bis +75 °C; DNVGL-CG-0339 Standortklasse B																																								
Lagertemperaturbereich	-55 °C bis +75 °C; DNVGL-CG-0339 Standortklasse B																																								
Stromversorgung	24 V DC nominal (18 V DC bis 32 V DC)																																								

* Searchline Excel Plus & Edge reagiert auf die meisten Kohlenwasserstoffgase, da die meisten IR in den erforderlichen Wellenlängen absorbieren.

** Die Kalibrierung auf Universal-Kohlenwasserstoff deckt eine Reihe spezifischer, aber unterschiedlicher Gase innerhalb einer Kalibrierung ab, die die Anforderungen des Leistungsstandards erfüllt.

SPEZIFIKATIONEN

Leistungsaufnahme (durchschnittlich RMS)	Sender für Betriebstemperatur: -55 °C (-67 °F) bis -30 °C (-22 °F) 11,8 W -30 °C (-22 °F) bis +30 °C (+86 °F) 5,6 W über +30 °C (+86 °F) 3,8 W Empfänger für Betriebstemperatur: -55 °C (-67 °F) bis -30 °C (-22 °F) 7,4 W -30 °C (-22 °F) bis +30 °C (+86 °F) 4,8 W über +30 °C (+86 °F) 3,0 W Ausführliche Informationen finden Sie unter Elektrische Installation im Technischen Handbuch.	
Kaltstart / Aufheizstromverbrauch	Aufheizen dauert ca. 20 min für Sender und Empfänger Sender: 17 W Empfänger: 10 W bei Betriebsumgebungstemperatur über -30 °C (-22 °F) 15 W bei Betriebsumgebungstemperatur unter -30 °C (-22 °F) (Heizung ist aktiv)	
Ausgangssignale	4–20 mA mit HART, Fehlerrelais, Alarm 1-Relais, Alarm 2-Relais, Modbus, Bluetooth® (Bereich bis zu 20 m, je nach Mobilgerät und Umgebungsbedingungen)	
Relaisausgänge	Max. 32 V DC/AC, Widerstandslast max. 2 A	
Einschaltstrom	Sender: 0,5 A während weniger als 20 ms Empfänger: 0,3 A während weniger als 20 ms	
Luftfeuchtigkeit	0–99 % RH nicht kondensierend, DNVGL-CG-0339 Standortklasse B	
Druck	91,5–105,5 kPa (915–1055 mbar, nicht kompensiert)	
Wiederholbarkeit	<u>±0,4 LEL.m:</u> <u>(und äquivalente ppm.m)</u> Methan ±17.600 ppm.m Ethan ±9.600 ppm.m Propan ±6.800 ppm.m Butan ±5.600 ppm.m Pentan ±4.400 ppm.m Hexan ±4.000 ppm.m Ethylen ±9.200 ppm.m Propylen ±8.000 ppm.m	
Temperaturdrift (-55 °C bis 75 °C) (-67 °F bis +167 °F)	<u>±0,2 LEL.m bei Null:</u> <u>(und äquivalente ppm.m)</u> Methan ±8.800 ppm.m Ethan ±4.800 ppm.m Propan ±3.400 ppm.m Butan ±2.800 ppm.m Pentan ±2.200 ppm.m Hexan ±2.000 ppm.m Ethylen ±4.600 ppm.m Propylen ±4.000 ppm.m	<u>±0,5 LEL.m bei 3 LEL.m:</u> <u>(und äquivalente ppm.m)</u> Methan ±22.000 ppm.m bei 132.000 ppm.m Ethan ±12.000 ppm.m bei 72.000 ppm.m Propan ±8.500 ppm.m bei 51.000 ppm.m Butan ±7.000 ppm.m bei 42.000 ppm.m Pentan ±5.500 ppm.m bei 33.000 ppm.m Hexan ±5.000 ppm.m bei 30.000 ppm.m Ethylen ±11.500 ppm.m bei 69.000 ppm.m Propylen ±10.000 ppm.m bei 60.000 ppm.m
Aufwärmzeit	Weniger als 5 Minuten (in Betrieb), weniger als 1 Stunde (vollständig stabilisiert)	
Interne Akkuzelle	TLH-2450, 10 Jahre Lebensdauer (Austausch nur durch autorisierten Service)	
Gewicht	Searchline Excel Plus: Rx 6,1 kg, Tx 6,0 kg Universalmontagehalterung: 3,1 kg Edelstahl Adapter für Montageplatte: 3,71 kg Edelstahl	
Abmessungen	Searchline Excel Plus-Sender und -Empfänger: 103 mm Durchm. x 325 mm x 180 mm Universalmontagehalterung: 165 mm x 165 mm x 130 mm Adapter für Montageplatte: 210 mm x 210 mm x 127 mm	

SPEZIFIKATIONEN

Eindringenschutz	<p>IP 66/67 (Typ 4X, gemäß NEMA 250)^{1,2}</p> <p>¹ IP- und/oder Korrosionsbeständigkeitsklassen beziehen sich auf den Schutz des Gerätegehäuses. Sie implizieren nicht, dass das Gerät während und unmittelbar nach der Einwirkung dieser Bedingungen Gas erkennt</p> <p>² Siehe Wartung im Technischen Handbuch für Empfehlungen und Wartungsanforderungen in Bezug auf Überschwemmungen und Überschwemmungen.</p> <p>Widerstand gegen Salznebel und schwefelhaltige Atmosphäre (15–60 Minuten Einwirkung von Salzluf/Nebel; 15–60 Minuten in schwefelhaltiger Atmosphäre)</p>
Zubehör	<p>2331B1020 Große verstellbare Montagehalterung</p> <p>2017B0113 Sonnenschutz aus Edelstahl</p> <p>2017B0299 Ausrichtungsumfang</p> <p>2017B0218 Funktionstestfilter</p> <p>Funktionstestfilter-Erweiterung</p> <p>2017B0185 Gasprüfzelle</p> <p>Mobiltelefon für explosionsgefährdeten Bereich</p> <p>Honeywell Fixed Platform-App¹</p> <p>¹ getestet mit Ecom Smart EX02 Mobiltelefon. Andere Telefone und Tablets mit Android 5.1 oder höher können funktionieren, aber Honeywell garantiert nicht die volle Funktionalität.</p>
Ersatzteile	<p>2331B1100 Ersatz-Universal-Montagehalterungsplatte</p> <p>2017B0112 Ersatz-Standard-Sonnenschutz (Kunststoff)</p> <p>2331B1150 Ersatz-Klemmenblock-Set (5er-Pack)</p> <p>2331B1160 Ersatzantennenabdeckung (5er-Pack)</p>
Übereinstimmung mit Normen	<p>Zentrale Zulassungen:</p> <p>EN 50270: (EMV)</p> <p>IEC/EN 61000-6-4; Funkanlagenrichtlinie 2014/53/EU</p> <p>IEC/EN/UL/CSA 61010 (Elektrische Sicherheit)</p> <p>FCC/IC</p> <p>RoHS, China RoHS</p>
Sicherheitszulassungen	<p>cULus:</p> <p>Cl. I, Div.1, Gr. B,C,D, T4 (Ta -55°C to +75°C)</p> <p>Cl. II, Div.1, Gr. E,F,G, T4 (Ta -55°C to +55°C)</p> <p>Cl. III</p> <p>Cl. I, Zn. 1 AEx db ia op is IIC T4 Gb (Ta -55°C to +75°C)</p> <p>Cl. I, Zn. 1 AEx db eb ia op is IIC T4 Gb (Ta -55°C to +75°C)</p> <p>Zn. 21 AEx ia op is tb IIIC T100°C Db (Ta -55°C to +55°C)</p> <p>Ex db ia op is IIC T4 Gb X (Ta -55°C to +75°C)</p> <p>Ex db eb ia op is IIC T4 Gb X (Ta -55°C to +75°C)</p> <p>Ex ia op is tb IIIC T100°C Db X (Ta -55°C to +55°C)</p> <p>Um = 250 Vrms</p> <p>DEMKO 20 ATEX 2281X / IECEx UL 20.0009X / UL21UKEX2047X</p> <p>(Ex d install) Ex db ia op is IIC T4 Gb (Ta -55°C to +75°C) or</p> <p>(Ex de install) Ex db eb ia op is IIC T4 Gb (Ta -55°C to +75°C)</p> <p>Ex ia op is tb IIIC T100°C Db (Ta -55°C to +75°C)</p> <p>Um = 250 Vrms</p> <p>Leistungszulassungen:</p> <p>FM 60079-29-4 / UL 60079-29-4</p> <p>Funktionssicherheit (SIL):</p> <p>SIL 2 zertifiziert vom TÜV (SÜD) nach EN61508</p> <p>Kernzulassungen:</p> <p>EN 50270: (EMV) IEC / EN 61000-6-4; Funkgeräte-Richtlinie 2014/53/EU IEC/ EN/UL/CSA 61010 (Elektrische Sicherheit); FCC / IC; RoHS, China RoHS</p>

GARANTIE

Honeywell Analytics gewährt für den Searchline Excel Plus Open Path Flammable Gas Detector (Sender und Empfänger) 5 Jahre Garantie für defekte Teile und die Verarbeitung.

Diese Garantie deckt keine Verbrauchsmaterialien, Batterien, Sicherungen, Normalverschleiß oder Schäden ab, die durch Unfall, unsachgemäße Behandlung, inkorrekte Installation, nicht autorisierte Verwendung, Modifikation oder Reparatur, Umgebungsbedingungen, Giftstoffe, Verunreinigungen oder ungewöhnliche Betriebsbedingungen verursacht wurden.

Diese Garantie gilt nicht für Sensoren oder Komponenten, die durch separate Garantien abgedeckt werden, oder für Kabel und Komponenten von Drittanbietern.

Honeywell Analytics haftet unter keinen Umständen für Schäden oder Verletzungen irgendwelcher Art, gleich wie verursacht, die sich aus unsachgemäßer Handhabung oder Verwendung dieses Produkts ergeben. Honeywell Analytics haftet unter keinen Umständen für Gerätefehlfunktionen oder Schäden irgendwelcher Art, einschließlich (ohne Einschränkung) für inzidentelle, direkte, indirekte, besondere oder Folgeschäden, Schäden durch Verlust geschäftlicher Gewinne, Geschäftsunterbrechung, Verlust geschäftlicher Informationen oder andere pekuniäre Verluste, die durch die inkorrekte Installation oder Verwendung dieses Produkts verursacht werden.

Alle Ansprüche im Rahmen der Honeywell Analytics-Produktgarantie müssen innerhalb des Gewährleistungszeitraums sowie unverzüglich nach der Feststellung eines Fehlers geltend gemacht werden. Bitte wenden Sie sich an Ihren Ansprechpartner im Honeywell Analytics Service vor Ort, um Ihren Anspruch geltend zu machen.

Dies ist eine Zusammenfassung. Die vollständigen Garantiebedingungen finden Sie im **Honeywell General Statement of Limited Product Warranty**, das auf Anforderung erhältlich ist.

HINWEIS:

Bewahren Sie das Registrierungsblatt sicher auf, um künftig darauf zugreifen zu können.

Searchline Excel™ Plus est un détecteur de fuites de gaz d'hydrocarbures inflammables en circuit ouvert (OPFGD) de 3^{ème} génération, conçu pour détecter et avertir de la présence de nombreux gaz d'hydrocarbures inflammables. Searchline Excel Plus est un détecteur OPFGD avancé pour les applications de sécurité, avec une portée de couverture de 2 à 120 m (6 à 393 pi). Le détecteur de gaz d'hydrocarbures inflammables Searchline Excel Plus est composé d'un émetteur et d'un récepteur fonctionnant conjointement pour détecter la présence de nombreux gaz d'hydrocarbures inflammables dans la ligne située entre eux. Searchline Excel Plus assure une disponibilité sans équivalent avec une détection robuste dans les conditions les plus difficiles, fonctionnant même dans le brouillard le plus épais. Livré sous forme de système complet avec des montants et des dispositifs de protection contre le soleil, il est accompagné d'accessoires d'alignement et de test.

Searchline Excel Plus fournit une indication d'état visuelle locale ainsi que des sorties comprises entre 4 et 20 mA avec protocoles HART® et Modbus® de série. Il dispose d'une interface Bluetooth® pour la configuration et la maintenance via l'application Honeywell Fixed Platform installée sur un appareil Bluetooth approprié.

Searchline Excel Plus est homologué ATEX et IECEx pour une utilisation dans des zones à risque d'explosion 1 (gaz) ou 21 (poussière). Il est également homologué cULus pour une utilisation dans des zones de Classe I Division 1, Classe II Division 1 ou Classe III Division 1.

Proposé en acier inoxydable peint, Searchline Excel Plus dispose de deux entrées pour faciliter le câblage, avec des options M25 ou NPT 3/4".

AVERTISSEMENT

1. Le détecteur de gaz inflammable en circuit ouvert Searchline Excel Plus est certifié et prévu pour une utilisation dans des zones potentiellement dangereuses. L'installation, l'utilisation et la maintenance de l'instrument doivent respecter les exigences en matière de sécurité et d'utilisation dans les zones dangereuses.
2. L'installation doit être conforme aux normes établies par l'autorité compétente du pays concerné. Pour l'Europe, voir EN 60079-14 et EN 60079-29-2.
3. Pour les installations en Grande-Bretagne, le code de pratique SELECTION, INSTALLATION AND MAINTENANCE OF ELECTRICAL APPARATUS FOR USE IN POTENTIALLY EXPLOSIVE ATMOSPHERES doit être strictement respecté. Des recommandations générales sont également fournies dans les normes BS EN 60079-14 et IEC 60079-14. Reportez-vous aux normes BS EN 60079-29-2 et IEC 60079-29-2 au Royaume-Uni ou à la législation locale ou nationale en vigueur.
4. Pour les installations en Amérique du Nord, le National Electrical Code (NFPA 70 ou versions ultérieures) doit être strictement respecté.
5. Les émetteurs et les récepteurs du détecteur de gaz inflammable en circuit ouvert Searchline Excel Plus doivent être correctement mis à la terre afin de protéger l'opérateur contre les risques de décharges électriques et de réduire au maximum les interférences électriques. Pour plus d'informations sur la conception des installations électriques, consultez le chapitre 6 Installation électrique.
6. Les opérateurs doivent avoir une connaissance parfaite des actions à engager si la concentration du gaz dépasse le niveau d'alerte. MISES EN GARDE
7. Le démontage ou la réparation du détecteur doivent impérativement être réalisés dans une zone sûre.
8. Les gaz de test peuvent être toxiques et/ou combustibles. Reportez-vous aux fiches de sécurité pour en savoir plus sur les avertissements.
9. Ne percez PAS de trous dans les boîtiers sous peine d'annuler la protection contre les explosions.
10. Afin de garantir la sécurité électrique, les instruments ne doivent PAS être utilisés dans des atmosphères contenant plus de 21 % d'oxygène.
11. Vérifiez que les boulons de fixation des boîtiers ignifuges sont complètement serrés. Ces boulons sont fabriqués dans un acier spécial certifié. Seuls les boulons fournis par Honeywell Analytics doivent être utilisés à cette fin.
12. N'ouvrez PAS le boîtier en présence d'une atmosphère explosive.
13. Lorsque l'émetteur fonctionne, la tension électrique interne peut être élevée. Cette tension est déchargée lorsque l'appareil est retiré de son boîtier.
14. Le conduit et les presse-étoupes installés sur l'émetteur et le récepteur Searchline Excel Plus ne doivent PAS être modifiés. Toutefois, si vous devez apporter des modifications, veillez à ce qu'elles soient conformes aux codes de pratique nationaux applicables.
15. L'irradiance et la puissance émises par les émetteurs Searchline Excel Plus sont respectivement inférieures à 5 mW/mm² et 15 mW/mm². Cela est considéré sans danger pour les yeux.

AVERTISSEMENT

16. L'équipement n'est PAS destiné à être monté sur des surfaces qui peuvent agir comme des sources de chauffage ou de refroidissement.
17. N'utilisez PAS les instruments en dehors de la plage de température indiquée dans la section Spécifications.
18. N'ouvrez PAS les boîtiers avant. Procéder de la sorte annulerait la garantie. Les boîtiers avant ne peuvent être ouverts que par une personne autorisée et habilitée dans le cadre des réparations et de la maintenance conseillées.
19. Ne modifiez PAS et n'altérez PAS la structure du produit pour ne pas invalider des dispositions essentielles de sécurité et de certification.
20. L'installation, la configuration et la maintenance ne doivent être effectuées que par du personnel qualifié. Consultez le manuel en permanence.
21. Toute intervention à l'intérieur du produit doit uniquement être effectuée par du personnel qualifié.
22. Le capuchon de transport en plastique fourni doit être remplacé par des dispositifs de fermeture dûment homologués (tels que des presse-étoupes ou des bouchons obturateurs) avant la mise en service. Ne pas procéder de la sorte crée une source potentielle d'inflammation. Un bouchon obturateur homologué est fourni de série.
23. N'utilisez PAS l'indicateur visuel local à des fins de sécurité.

MISES EN GARDE

1. Un appareil mobile avec l'application Honeywell Fixed Platform installée est une condition préalable pour le réglage des paramètres du détecteur via la connexion Bluetooth.
2. La mise en service ou l'essai périodique de Searchline Excel Plus n'est pas termin(e) tant que l'appareil n'est pas testé pour vérifier que son fonctionnement est conforme à ses spécifications.

REMARQUE :

Si la dernière connexion et la dernière synchronisation entre l'application Honeywell Fixed Platform et le serveur ont été effectuées **il y a plus d'un an**, un message de mise en garde sera affiché dans l'application, accompagné d'une demande d'établissement d'une connexion à Internet et de renouvellement du certificat de sécurité. Cela n'affectera PAS le fonctionnement de l'instrument.

CONTENU DE L'EMBALLAGE

- 1 récepteur Searchline Excel Plus (boîte n°1)
- 1 émetteur Searchline Excel Plus (boîte n°2)
- 1 support de montage universel
- 1 dispositif de protection contre le soleil en plastique (acier inoxydable en option)
- 1 couvercle d'antenne
- 1 clé Allen (hexagonale), taille 10
- 1 clé Allen (hexagonale), taille 8
- 1 clé Allen (hexagonale), taille 5
- 1 clé Allen (hexagonale), taille 1,5
- 1 fiche d'enregistrement
- 1 guide de démarrage rapide (ce document)

INSTALLATION

MISES EN GARDE

1. Vérifiez que l'emballage n'est pas endommagé avant de l'ouvrir. Si l'emballage présente des signes de déchirure, de casse ou d'autres dommages, informez immédiatement la société de transport et le fournisseur. Documentez les dommages de manière appropriée (p. ex., photographies).
2. Ouvrez soigneusement l'emballage pour éviter d'endommager le contenu.
3. Examinez le récepteur et l'émetteur Searchline Excel Plus ainsi que le montant et le dispositif de protection contre le soleil pour vous assurer de l'absence de dommages. Si un élément est endommagé de quelque manière que ce soit, informez immédiatement la société de transport et le fournisseur. Documentez les dommages de manière appropriée (p. ex., photographies).
4. En cas de dommages :
 - a) Laissez le ou les articles dans l'emballage d'origine
 - b) N'essayez pas de réparer ou d'utiliser le détecteur tant que la réclamation pour dommages n'a pas été traitée par le fournisseur.
5. L'installation, la configuration et la maintenance ne doivent être effectuées que par du personnel qualifié et autorisé.
6. N'ouvrez PAS le boîtier avant. La garantie d'un appareil dont le boîtier avant a été ouvert est annulée. Les boîtiers avant ne peuvent être ouverts que par une personne autorisée et habilitée dans le cadre des réparations et de la maintenance conseillées.
7. Ne modifiez PAS le boîtier avant ou des composants, car cela compromettra la certification Zone dangereuse et annulera la garantie. Les boîtiers avant ne peuvent être ouverts que par une personne autorisée et habilitée dans le cadre des réparations et de la maintenance conseillées.
8. Ne modifiez PAS la structure du détecteur de quelque manière que ce soit, car cela annulera la garantie.
9. Ouvrez et fermez le couvercle du compartiment de câblage avec soin pour éviter de le déformer.
10. L'installation, la configuration et la maintenance ne doivent être effectuées que par du personnel qualifié et autorisé.
11. Évitez toute pénétration d'eau et de poussière en ouvrant le compartiment de câblage afin de protéger les contacts électroniques non blindés.
12. Maintenez le détecteur en desserrant les boulons du support. Une libération involontaire peut causer des blessures.
13. Vérifiez les surfaces d'accouplement avant de procéder à l'assemblage (filetages, joints toriques). Assurez-vous qu'elles sont propres et non contaminées.
14. Vérifiez les joints toriques avant de procéder à l'assemblage. S'ils sont endommagés, remplacez-les par des pièces d'origine.
15. Searchline Excel Plus est livré sans presse-étoupes. Assurez-vous que tous les pas de vis des entrées de câbles sont scellés avec un bouchon appropriée pour éviter les infiltrations d'eau et les dommages aux pas de vis. Lors de l'installation, les bouchons de transport des entrées de câbles doivent être retirés et remplacés par des presse-étoupes, des adaptateurs de filetage ou des bouchons d'obturation appropriés pour respecter les exigences locales en matière de zones dangereuses.
16. Vérifiez que le bouchon d'obturation est adapté à une utilisation finale sur site et assurez-vous qu'il respecte les réglementations locales et nationales.
17. Retirez l'alimentation des instruments Searchline Excel Plus lors de l'installation du câblage. N'installez PAS les câbles et ne configurez PAS le câblage avec l'alimentation active.

MISES EN GARDE

Si la boucle de courant 4–20 mA n'est pas utilisée, un cavalier doit être connecté entre 4–20 mA+ (terminal 5) et 24V CC+ (terminal 8) et une résistance de charge doit être connectée entre 4–20 mA- (terminal 6) et OV CC (terminal 9). Il est recommandé d'utiliser une résistance 470 Ohm, 1/4 W (250 à 400 Ω si HART est obligatoire). Avec la boucle de courant 4–20 mA configurée de cette façon, le site HART peut toujours être utilisé avec une unité portable HART utilisant les terminaux 20 et 21 dans le compartiment de câblage.

Searchline Excel Plus sera normalement monté en hauteur, généralement sur un poteau à l'aide des boulons en U fournis et couvrant la zone à protéger. Le support de montage universel fourni permet le montage sur une plaque, un poteau ou une autre infrastructure sur site. Tous les boulons sont conservés pour éviter leur perte pendant l'installation.

Searchline Excel Plus dispose de deux entrées de câbles pour faciliter le câblage avec des options M25 ou NPT 3/4". Les fils sont raccordés aux connecteurs des bornes conformément au schéma de câblage. Les fils de rechange doivent présenter une terminaison correcte. Le câblage doit être effectué conformément aux réglementations locales, nationales et de l'entreprise. Les fils exposés ou nus doivent être évités. Consultez le **Manuel technique** pour obtenir des instructions sur l'installation mécanique et électrique.

Vous pouvez télécharger le Manuel technique à l'adresse www.sps.honeywell.com.

MISE EN SERVICE

MISES EN GARDE

1. Un appareil mobile avec l'application Honeywell Fixed Platform installée est une condition préalable pour le réglage des paramètres du détecteur via la connexion Bluetooth.
2. La mise en service ou l'essai périodique de Searchline Excel Plus n'est pas terminé(e) tant que l'appareil n'est pas testé pour vérifier que son fonctionnement est conforme à ses spécifications.

1. Vérifiez que les unités Searchline Excel Plus sont correctement montées et câblées. Consultez la section **Installation** du **Manuel technique** pour obtenir des instructions.
2. Vérifiez que l'alignement optique des unités Searchline Excel Plus est correct. Consultez la section **Alignement** du **Manuel technique** pour obtenir des instructions.
3. Connectez-vous à l'**application Honeywell Fixed Platform** via Bluetooth.
4. Mettez sous tension l'émetteur et le récepteur Searchline Excel Plus.
5. Effectuez une vérification fonctionnelle et un test d'intégrité de ligne de 4 à 20 mA. Consultez la section **Mise en service** du **Manuel technique** pour obtenir des instructions.
6. Vérifiez que les unités Searchline Excel Plus sont configurées conformément aux recommandations du document d'étude du site concerné.
7. Si nécessaire, réglez les paramètres du détecteur à l'aide de l'**application Honeywell Fixed Platform**.
8. Vérifiez que les sorties de sécurité de Searchline Excel Plus fonctionnent correctement. Consultez la section **Maintenance** du **Manuel technique** pour obtenir des instructions.

Vous pouvez télécharger le Manuel technique à l'adresse www.sps.honeywell.com.

OPTIONS CONFIGURABLES PAR L'UTILISATEUR

L'**application Honeywell Fixed Platform** permet de régler les options configurables par l'utilisateur suivantes :

- | | |
|--|---|
| 1. ID du détecteur | 13. Intensité LED |
| 2. Mode opératoire | 14. Période de temporisation d'inhibition |
| 3. Niveau d'inhibition | 15. Définition du code d'accès |
| 4. Point de consigne d'alarme 1 - modification | 16. Niveau normal |
| 5. Point de consigne d'alarme 2 - ajout | 17. Verrouillage de l'alarme |
| 6. Niveau d'alerte | 18. Loop current mode (Mode du courant de boucle) |
| 7. Niveau de défaut | 19. Adresse d'interrogation HART |
| 8. Niveau de dépassement de la plage | 20. Relais d'erreur |
| 9. Niveau d'alarme 1 | 21. Relais d'alarme 1 |
| 10. Niveau d'alarme 2 | 22. Relais d'alarme 2 |
| 11. Fréquence des essais périodiques | 23. Unité de sortie de valeur mesurée de gaz |
| 12. Mode LED | 24. Temps de réponse (1,2,3 s) |

SIGNALISATION D'ÉTAT

Searchline Excel Plus est équipé d'un indicateur d'état à LED haute visibilité.

Consultez la section **Fonctionnement** du **Manuel technique** pour plus d'informations.

AVERTISSEMENT

Le comportement de l'indicateur d'état LED est configurable. Si l'indicateur d'état LED présente une configuration différente des paramètres par défaut, il peut indiquer des états différents des autres sorties.

Fonctionnement sans Bluetooth	Couleur	Combinaison
Défaut	Jaune clignotant	Valeur par défaut
Inhibition	Jaune fixe	Valeur par défaut
Avertissement	Jaune clignotant en alternance avec le vert	Valeur par défaut
Normal	Vert fixe	Valeur par défaut
Normal	Vert clignotant	Optionnel
Normal	-	Optionnel
Alarme	Rouge clignotant	Valeur par défaut
Dépassement de plage	Rouge clignotant	Valeur par défaut

Fonctionnement avec Bluetooth	Couleur	Combinaison
Défaut	Jaune clignotant	Valeur par défaut
Inhibition	Jaune fixe	Valeur par défaut
Avertissement	Jaune clignotant en alternance avec le vert	Valeur par défaut
Normal	Bleu fixe	Valeur par défaut
Normal	Bleu clignotant	Optionnel
Alarme	Rouge clignotant	Valeur par défaut
Dépassement de plage	Rouge clignotant	Valeur par défaut
Connexion	Bleu clignotant	Valeur par défaut
Connecté	Bleu fixe	Valeur par défaut
Avertissement	Bleu en alternance	Valeur par défaut

Signalisation d'état de boucle mA

Mode	Valeur par défaut (mA)		Valeur minimum (mA)	Valeur maximum (mA)
	Mode discret	Mode proportionnel		
Défaut	1		0	3,6
Inhibition	2		1	3,6
Avertissement	3		1	4
Normal	4	Proportionnel à la concentration de gaz	4	20
Alarme	20	Non disponible(s)	4	20
Dépassement de plage	21		20	22

ESSAI PÉRIODIQUE

Le fonctionnement de Searchline Excel Plus peut être vérifié à l'aide des filtres de test fonctionnel (en option) ou en combinaison avec l'application Honeywell Fixed Platform.

Consultez la section **Maintenance** du **Manuel technique** pour obtenir des instructions sur les tests de base et avancés.

Vous pouvez télécharger le Manuel technique à l'adresse www.sps.honeywell.com.

CARACTÉRISTIQUES

Gaz disponibles (gaz approuvés pour les performances ¹⁻²)	Searchline Excel Plus & Edge répondra à une large gamme de gaz d'hydrocarbures*: Méthane ^{1,2} , Éthane ¹ , Propane ^{1,2} , Butane ¹ , Pentane ¹ , Hexane, Éthylène ¹ , Propylène ¹ , ¹ Homologation des performances par FM ; ² Homologué DNV L'étalonnage par défaut est à l'hydrocarbure universel**	
Gaz en option	L'étalonnage avec d'autres gaz est facultatif et doit être consulté avec Honeywell.	
Plage	Méthane 0 à 5 LEL.m / 0 à 220 000 ppm.m Éthane 0 à 5 LEL.m / 0 à 120 000 ppm.m Propane 0 à 5 LEL.m / 0 à 85 000 ppm.m Butane 0 à 5 LEL.m / 0 à 70 000 ppm.m Pentane 0 à 5 LEL.m / 0 à 55 000 ppm.m Hexane 0 à 5 LEL.m / 0 à 50 000 ppm.m Éthylène 0 à 5 LEL.m / 0 à 115 000 ppm.m Propylène 0 à 5 LEL.m / 0 à 100 000 ppm.m	
Recommandé Valeur d'alarme	<u>Bas 1 LEL.m :</u> (et équivalent ppm.m)	<u>Élevé 3 LEL.m :</u> (et équivalent ppm.m)
	Méthane 44 000 ppm.m Éthane 24 000 ppm.m Propane 17 000 ppm.m Butane 14 000 ppm.m Pentane 11 000 ppm.m Hexane 10 000 ppm.m Éthylène 23 000 ppm.m Propylène 20 000 ppm.m	Méthane 132 000 ppm.m Éthane 72 000 ppm.m Propane 51 000 ppm.m Butane 42 000 ppm.m Pentane 33 000 ppm.m Hexane 30 000 ppm.m Éthylène 69 000 ppm.m Propylène 60 000 ppm.m
Réglage d'alarme minimum recommandé	<u>0,5 LEL.m : (et équivalent ppm.m)</u> Méthane 22 000 ppm.m Éthane 12 000 ppm.m Propane 8 500 ppm.m Butane 7 000 ppm.m Pentane 5 500 ppm.m Hexane 5 000 ppm.m Éthylène 11 500 ppm.m Propylène 10 000 ppm.m	
Longueur de trajectoire	Searchline Excel Plus : 2 m à 120 m (6 pi à 393 pi)	
Vitesse de réponse	T90 à moins de 3 secondes	
Signal de sortie analogique	4-20 mA Fonctionnement normal, 1 mA Défaut*, 2 mA Inhibition, 3 mA Avertissement, 21 mA Dépassement de plage. *Searchline Excel Plus indiquera un défaut après 30 s sans signal. Cette valeur est programmable. Pour respecter l'homologation des performances par FM, la valeur maximale du Délai avant Blocage est de 200 s.	
Température ambiante de fonctionnement	-55 °C à +75 °C (-67 °F à +167 °F) ; Zone DNVGL-CG-0339 Classe B	
Plage de températures de stockage	-55 °C à +75 °C (-67 °F à +167 °F) ; Zone DNVGL-CG-0339 Classe B	
Alimentation	24 V CC nominal (18 à 32 V CC)	

* Searchline Excel Plus & Edge répondra à la plupart des gaz d'hydrocarbures car la plupart absorbent l'IR dans les longueurs d'onde requises.

** L'étalonnage à l'hydrocarbure universel couvre une gamme de gaz spécifiques mais différents au sein d'un étalonnage qui répond aux exigences de la norme de performance.

CARACTÉRISTIQUES

Consommation électrique (moyen RMS)	<p>Transmetteur, pour température ambiante de fonctionnement:</p> <p>-55 °C (-67 °F) à -30 °C (-22 °F) 11,8 W -30 °C (-22 °F) à +30 °C (+86 °F) 5,6 W au-dessus de +30 °C (+86 °F) 3,8 W</p> <p>Récepteur, pour température ambiante de fonctionnement:</p> <p>-55 °C (-67 °F) à -30 °C (-22 °F) 7,4 W -30 °C (-22 °F) à +30 °C (+86 °F) 4,8 W au-dessus de +30 °C (+86 °F) 3,0 W</p> <p>Voir Installation électrique dans le manuel technique pour plus de détails.</p>																		
Consommation électrique de démarrage à froid / chauffage	<p>Le réchauffement dure env. 20 min pour l'émetteur et le récepteur</p> <p>Émetteur: 17 W Récepteur: 10 W pour une température ambiante supérieure à -30 °C (-22 °F) 15 W pour une température ambiante inférieure à -30 °C (-22 °F) (le dispositif de chauffage est actif)</p>																		
Signaux de sortie	4 à 20 mA avec HART, Relais de défaut, Relais d'alarme 1, Relais d'alarme 2, Modbus, Bluetooth® (portée jusqu'à 20 m (66 pi), dépend de l'appareil mobile et des conditions environnementales)																		
Sorties relais	32 V CC/CA max., charge résistive max. 2 A																		
Courant d'appel	Émetteur: 0,5 A pendant moins de 20 ms Récepteur: 0,3 A pendant moins de 20 ms																		
Humidité	0 à 99 % HR sans condensation, Zone DNVGL-CG-0339 Classe B																		
Pression	91,5 à 105,5 kPa (915 à 1 055 mBar, sans compensation)																		
Répétabilité	<p>±0,4 LEL.m : (et équivalent ppm.m)</p> <p>Méthane ±17 600 ppm.m Éthane ±9 600 ppm.m Propane ±6 800 ppm.m Butane ±5 600 ppm.m Pentane ±4 400 ppm.m Hexane ±4 000 ppm.m Éthylène ±9 200 ppm.m Propylène ±8 000 ppm.m</p>																		
Dérive de température (-55 °C à +75 °C) (-67 °F à +167 °F)	<table border="0"> <tr> <td>±0,2 LEL.m à zéro ; (et équivalent ppm.m)</td> <td>±0,5 LEL.m à 3 LEL.m ; (et équivalent ppm.m)</td> </tr> <tr> <td>Méthane ±8 800 ppm.m</td> <td>Méthane ±22 000 ppm.m à 132 000 ppm.m</td> </tr> <tr> <td>Éthane ±4 800 ppm.m</td> <td>Éthane ±12 000 ppm.m à 72 000 ppm.m</td> </tr> <tr> <td>Propane ±3 400 ppm.m</td> <td>Propane ±8 500 ppm.m à 51 000 ppm.m</td> </tr> <tr> <td>Butane ±2 800 ppm.m</td> <td>Butane ±7 000 ppm.m à 42 000 ppm.m</td> </tr> <tr> <td>Pentane ±2 200 ppm.m</td> <td>Pentane ±5 500 ppm.m à 33 000 ppm.m</td> </tr> <tr> <td>Hexane ±2 000 ppm.m</td> <td>Hexane ±5 000 ppm.m à 30 000 ppm.m</td> </tr> <tr> <td>Éthylène ±4 600 ppm.m</td> <td>Éthylène ±11 500 ppm.m à 69 000 ppm.m</td> </tr> <tr> <td>Propylène ±4 000 ppm.m</td> <td>Propylène ±10 000 ppm.m à 60 000 ppm.m</td> </tr> </table>	±0,2 LEL.m à zéro ; (et équivalent ppm.m)	±0,5 LEL.m à 3 LEL.m ; (et équivalent ppm.m)	Méthane ±8 800 ppm.m	Méthane ±22 000 ppm.m à 132 000 ppm.m	Éthane ±4 800 ppm.m	Éthane ±12 000 ppm.m à 72 000 ppm.m	Propane ±3 400 ppm.m	Propane ±8 500 ppm.m à 51 000 ppm.m	Butane ±2 800 ppm.m	Butane ±7 000 ppm.m à 42 000 ppm.m	Pentane ±2 200 ppm.m	Pentane ±5 500 ppm.m à 33 000 ppm.m	Hexane ±2 000 ppm.m	Hexane ±5 000 ppm.m à 30 000 ppm.m	Éthylène ±4 600 ppm.m	Éthylène ±11 500 ppm.m à 69 000 ppm.m	Propylène ±4 000 ppm.m	Propylène ±10 000 ppm.m à 60 000 ppm.m
±0,2 LEL.m à zéro ; (et équivalent ppm.m)	±0,5 LEL.m à 3 LEL.m ; (et équivalent ppm.m)																		
Méthane ±8 800 ppm.m	Méthane ±22 000 ppm.m à 132 000 ppm.m																		
Éthane ±4 800 ppm.m	Éthane ±12 000 ppm.m à 72 000 ppm.m																		
Propane ±3 400 ppm.m	Propane ±8 500 ppm.m à 51 000 ppm.m																		
Butane ±2 800 ppm.m	Butane ±7 000 ppm.m à 42 000 ppm.m																		
Pentane ±2 200 ppm.m	Pentane ±5 500 ppm.m à 33 000 ppm.m																		
Hexane ±2 000 ppm.m	Hexane ±5 000 ppm.m à 30 000 ppm.m																		
Éthylène ±4 600 ppm.m	Éthylène ±11 500 ppm.m à 69 000 ppm.m																		
Propylène ±4 000 ppm.m	Propylène ±10 000 ppm.m à 60 000 ppm.m																		
Durée de préchauffage	Moins de 5 minutes (opérationnel), moins de 1 heure (stabilisation complète)																		
Cellule de batterie interne	TLH-2450, durée de vie de 10 ans (remplacement uniquement par un service après-vente agréé)																		
Poids	Searchline Excel Plus : Rx 6,1 kg (13,4 lb), Tx 6,0 kg (13,2 lb) Support de montage universel : 3,1 kg (6,9 lb) Acier inoxydable Adaptateur pour plaque de montage : 3,71 kg (8,18 lb) Acier inoxydable																		
Dimensions	Émetteur et récepteur Searchline Excel Plus : diam. 103 mm x 325 mm x 180 mm (diam. 4,06" x 12,8" x 7,09") Support de montage universel : 165 mm x 165 mm x 130 mm (6,5" x 6,5" x 5,12") Adaptateur pour plaque de montage : 210 mm x 210 mm x 127 mm (8,23" x 8,23" x 5")																		

CARACTÉRISTIQUES

Protection contre les pénétrations	<p>IP 66 / 67 (Type 4X, conformément à la norme NEMA 250) ^{1,2}</p> <p>¹ Les indices de protection IP et/ou de résistance à la corrosion se réfèrent à la protection du boîtier de l'instrument. Ils n'impliquent pas que l'instrument détectera le gaz pendant et immédiatement après l'exposition à ces conditions</p> <p>² Reportez-vous à Maintenance dans le manuel technique pour les recommandations et les exigences de maintenance concernant le déluge et les inondations.</p> <p>Résistance au brouillard salin et à l'atmosphère sulfurique (exposition de 15 à 60 minutes à l'air/brouillard salin ; 15 à 60 minutes à l'atmosphère sulfurique)</p>
Accessoires	<p>2331B1020 Grand support de montage réglable</p> <p>2017B0113 Dispositif de protection contre le soleil en acier inoxydable</p> <p>2017B0299 Portée de l'alignement</p> <p>2017B0218 Filtres de test fonctionnel</p> <p>Dispositif d'extension des filtres de test fonctionnel</p> <p>2017B0185 Cellule de test de gazage</p> <p>Téléphone portable en zone dangereuse</p> <p>Application Honeywell Fixed Platform¹</p> <p>¹ testé avec le téléphone mobile Ecom Smart EX02. D'autres téléphones et tablettes fonctionnant sous Android 5.1 ou version ultérieure peuvent fonctionner, mais Honeywell ne garantit pas une fonctionnalité complète.</p>
Pièces de rechange	<p>2331B1100 Plaque de support de montage universel de rechange</p> <p>2017B0112 Dispositif de protection contre le soleil standard de rechange (Plastique)</p> <p>2331B1150 Ensemble de bornes de raccordement de rechange (Pack de 5)</p> <p>2331B1160 Couvercle d'antenne de rechange (Pack de 5)</p>
Conformité	<p>Homologations fondamentales :</p> <p>EN 50270 : (Interférences électromagnétiques)</p> <p>IEC/EN 61000-6-4 ; Directive relative aux équipements radioélectriques 2014/53/UE</p> <p>IEC/EN/UL/CSA 61010 (Sécurité électrique)</p> <p>FCC / IC</p> <p>RoHS, RoHS Chine</p>
Homologations de sécurité	<p>cULus :</p> <p>Cl. I, Div.1, Gr. B,C,D, T4 (Ta -55°C to +75°C)</p> <p>Cl. II, Div.1, Gr. E,F,G, T4 (Ta -55°C to +55°C)</p> <p>Cl. III</p> <p>Cl. I, Zn. 1 AEx db ia op is IIC T4 Gb (Ta -55°C to +75°C)</p> <p>Cl. I, Zn. 1 AEx db eb ia op is IIC T4 Gb (Ta -55°C to +75°C)</p> <p>Zn. 21 AEx ia op is tb IIIC T100°C Db (Ta -55°C to +55°C)</p> <p>Ex db ia op is IIC T4 Gb X (Ta -55°C to +75°C)</p> <p>Ex db eb ia op is IIC T4 Gb X (Ta -55°C to +75°C)</p> <p>Ex ia op is tb IIIC T100°C Db X (Ta -55°C to +55°C)</p> <p>Um = 250 Vrms</p> <p>DEMKO 20 ATEX 2281X / IECEx UL 20.0009X / UL21UKEX2047X</p> <p>(Ex d install) Ex db ia op is IIC T4 Gb (Ta -55°C to +75°C) or</p> <p>(Ex de install) Ex db eb ia op is IIC T4 Gb (Ta -55°C to +75°C)</p> <p>Ex ia op is tb IIIC T100°C Db (Ta -55°C to +75°C)</p> <p>Um = 250 Vrms</p> <p>Approbations de performance</p> <p>FM 60079-29-4 / UL 60079-29-4</p> <p>Sécurité fonctionnelle (SIL)</p> <p>Certifié SIL 2 par TÜV (SÜD) selon EN61508</p> <p>Approbations de base</p> <p>EN 50270: (EMC) IEC/EN 61000-6-4; Directive sur les équipements radio 2014/53/EU IEC / EN / UL / CSA 61010 (sécurité électrique); FCC / IC; RoHS, Chine RoHS</p>

GARANTIE

Honeywell Analytics garantit l'émetteur et le récepteur du détecteur de gaz inflammable en circuit ouvert Searchline Excel Plus pendant 5 ans contre les défauts de pièces et de fabrication.

Cette garantie ne couvre pas les consommables, les batteries, les fusibles, l'usure normale de l'appareil ni les dommages causés par un accident, une utilisation inappropriée, une installation incorrecte, une utilisation, modification ou réparation non autorisée, une exposition à des poisons ou à des contaminants, ou des conditions d'utilisation anormales.

Cette garantie ne s'applique pas aux capteurs ou aux composants qui sont couverts par des garanties distinctes, ni à des câbles et composants fournis par un tiers.

En aucun cas Honeywell Analytics ne sera tenu responsable des dommages ou blessures, de quelque nature et cause que ce soit, découlant d'une manipulation ou d'une utilisation incorrecte de cet équipement.

En aucun cas Honeywell Analytics ne sera tenu responsable d'un dysfonctionnement de l'équipement ou de dommages quels qu'ils soient, y compris mais sans s'y limiter, les dommages accidentels, directs, indirects, particulier et immatériels, ou encore des dommages entraînant une perte de bénéfices industriels et commerciaux, une interruption de l'activité, une perte d'informations de l'entreprise ou toute autre perte financière résultant de la mauvaise installation ou utilisation de cet équipement.

Les réclamations relevant de la garantie de produit Honeywell Analytics doivent être effectuées dans la période de garantie spécifiée et aussi tôt que possible après la découverte du problème. Veuillez contacter votre représentant local Honeywell Analytics Service pour déposer votre réclamation.

Ceci est un résumé. Pour consulter les conditions complètes de garantie, reportez-vous à la « **Déclaration générale de garantie limitée** » de Honeywell, disponible sur demande.

REMARQUE :

Conservez la fiche d'enregistrement en lieu sûr pour référence ultérieure.

Le **Searchline Excel™ Plus** est un détecteur de fuites de gaz hydrocarbures inflammables par barrière (OPFGD) de 3^{ème} génération conçu pour détecter et signaler la présence d'un certain nombre de gaz hydrocarbures inflammables. Searchline Excel Plus est un détecteur OPFGD avancé pour les applications de sécurité avec une portée de 2 m à 120 m (6 à 393 pi). Le détecteur de gaz d'hydrocarbures inflammables Searchline Excel Plus est composé d'un émetteur et d'un récepteur fonctionnant conjointement pour détecter la présence de nombreux gaz d'hydrocarbures inflammables dans la ligne située entre eux. Searchline Excel Plus assure une disponibilité sans équivalent avec une détection efficace dans les conditions les plus difficiles, fonctionnant même dans le brouillard le plus épais. C'est un système complet équipé de montants et de protections contre le soleil. Il est également doté d'accessoires d'alignement et d'essai. Searchline Excel Plus est équipé en série d'un indicateur d'état visuel local et de sorties HART® et Modbus® avec un signal se situant entre 4 et 20 mA. Il dispose d'une interface Bluetooth® pour la configuration et la maintenance. Il suffit d'utiliser un appareil compatible Bluetooth doté de l'application Honeywell Fixed Platform.

Searchline Excel Plus est homologué ATEX et IECEx pour une utilisation dans les zones dangereuses 1 (gaz) ou 21 (poussière). Il bénéficie également de l'homologation cULus pour une utilisation dans les zones de Classe I Division 1 ou Classe II Division 1 ou Classe III Division 1

Searchline Excel Plus est disponible en acier inoxydable peint. Les deux entrées avec les options M25 ou NPT 3/4 po facilitent le câblage.

⚠ AVERTISSEMENT

1. Le détecteur de gaz inflammables par barrière Searchline Excel Plus est certifié et prévu pour une utilisation dans des zones potentiellement dangereuses. Il doit être installé, utilisé et entretenu conformément aux exigences de sécurité et d'utilisation dans les zones dangereuses.
2. L'installation doit être conforme aux normes en vigueur fixées par l'autorité compétente dans le pays concerné. Pour l'Europe, voir les normes EN 60079-14 et EN 60079-29-2.
3. Pour les installations au Royaume-Uni, le Code des pratiques intitulé « SELECTION, INSTALLATION AND MAINTENANCE OF ELECTRICAL APPARATUS FOR USE IN POTENTIALLY EXPLOSIVE ATMOSPHERES » doit être strictement respecté. Des recommandations générales sont données dans les normes BS EN 60079-14 et CEI 60079-14. Reportez-vous aux normes BS EN 60079-29-2 et CEI 60079-29-2 au Royaume-Uni ou à la législation locale ou nationale en vigueur.
4. Pour les installations en Amérique du Nord, le Code national de l'électricité (NFPA 70 ou les versions ultérieures) doit être strictement respecté.
5. Les émetteurs et récepteurs de gaz inflammables par barrière Searchline Excel Plus doivent être correctement mis à la terre pour se protéger contre les risques de décharges électriques et réduire au maximum les interférences électriques. Reportez-vous au chapitre 6 Installation électrique pour en savoir plus sur la conception des installations électriques.
6. Les opérateurs doivent connaître toutes les mesures à prendre si la concentration du gaz dépasse le niveau d'alerte.
7. Le démontage ou la réparation de l'équipement ne doit être effectué que dans la zone de sécurité.
8. Les gaz de test peuvent être toxiques et/ou combustibles. Reportez-vous aux fiches de sécurité pour en savoir plus sur les avertissements.
9. Ne JAMAIS percer de trous dans les boîtiers sous peine d'endommager la protection contre les explosions.
10. Afin de garantir la sécurité électrique, les instruments NE doivent PAS être utilisés dans des atmosphères où la concentration en oxygène est supérieure à 21 %.
11. Vérifiez que les boulons qui fixent les boîtiers ignifuges sont bien serrés. Les boulons de fixation utilisés sont fabriqués dans un acier spécial certifié. Seuls les boulons fournis par Honeywell Analytics doivent être utilisés dans ce cas.
12. N'ouvrez JAMAIS le boîtier si l'atmosphère est explosive.
13. Lorsque l'émetteur fonctionne, les tensions sont très élevées. Des décharges électriques se produisent en retirant l'appareil de son boîtier.
14. NE changez PAS le conduit et les presse-étoupes installés sur l'émetteur et le récepteur Searchline Excel Plus. Toutefois, si vous devez apporter des modifications, elles doivent être conformes aux Codes de pratiques nationaux appropriés.
15. L'irradiance et la puissance émises par les émetteurs Searchline Excel Plus sont respectivement inférieures à 5 mW/mm² et 15 mW/mm². Elles ne présentent aucun danger pour les yeux.

AVERTISSEMENT

16. L'équipement N'est PAS conçu pour être installé sur des surfaces qui peuvent agir comme sources de chauffage ou de refroidissement.
17. Ne JAMAIS utiliser les instruments en dehors de la plage de température indiquée dans la section Caractéristiques.
18. N'ouvrez PAS les boîtiers avant. Le non-respect de cette consigne annule la garantie. Seule une personne autorisée et qualifiée peut ouvrir les boîtiers avant dans le cadre des réparations et de la maintenance conseillées.
19. Il NE faut en aucun cas modifier ou altérer la structure du produit. Cela aurait pour effet d'invalider les dispositions essentielles de sécurité et de certification.
20. L'installation, la configuration et la maintenance ne doivent être effectuées que par du personnel qualifié. Consultez le manuel en tout temps.
21. Seul le personnel qualifié a l'autorisation d'intervenir à l'intérieur du produit.
22. La protection de transport en plastique fourni doit être remplacée par des dispositifs de fermeture dûment homologués (comme des presse-étoupes ou des bouchons obturateurs) avant la mise en service. Le non-respect de cette consigne peut être à l'origine d'une source potentielle d'inflammation. Un bouchon obturateur homologué est fourni de série.
23. N'utilisez PAS l'indicateur visuel local à des fins de sécurité.

MISES EN GARDE

1. Un appareil mobile avec l'application Honeywell Fixed Platform installée est une condition préalable pour le réglage des paramètres du détecteur au moyen de la connexion Bluetooth.
2. L'appareil doit être testé pour vérifier que son fonctionnement est conforme à ses caractéristiques techniques. La mise en service ou l'essai de mise à l'épreuve de Searchline Excel Plus ne peuvent sinon être considérés comme terminés.

REMARQUE :

Si la dernière connexion et la dernière synchronisation entre l'application Honeywell Fixed Platform et le serveur ont été effectuées **ilya plus d'un an**, un message de mise en garde sera affiché dans l'application, accompagné d'une demande d'établissement d'une connexion à Internet et de renouvellement du certificat de sécurité. Cela n'aura PAS d'incidence sur le fonctionnement de l'instrument.

CONTENU DE L'EMBALLAGE

- 1 récepteur Searchline Excel Plus (boîte 1)
- 1 émetteur Searchline Excel Plus (boîte 2)
- 1 support de montage universel
- 1 protection contre le soleil en plastique (acier inoxydable en option)
- 1 couvercle d'antenne
- 1 clé Allen (hexagonale), taille 10
- 1 clé Allen (hexagonale), taille 8
- 1 clé Allen (hexagonale), taille 5
- 1 clé Allen (hexagonale), taille 1,5
- 1 fiche d'enregistrement
- 1 guide de démarrage rapide (ce document)

INSTALLATION

MISES EN GARDE

1. Vérifiez que l'emballage n'est pas endommagé avant de l'ouvrir. Si l'emballage est déchiré, cassé ou présente d'autres dommages, prévenez sans tarder la société de transport et le fournisseur. Répertoriez les dommages de manière appropriée (p. ex., photographies).
2. Ouvrez soigneusement l'emballage pour éviter d'endommager le contenu.
3. Examinez le récepteur et l'émetteur Searchline Excel Plus ainsi que le montant et la protection contre le soleil pour vous assurer de l'absence de dommages. Si un élément est endommagé de quelque manière que ce soit, signalez-le immédiatement à la société de transport et au fournisseur. Répertoriez les dommages de manière appropriée (p. ex., photographies).
4. En cas de dommages :
 - a) Laissez le ou les articles dans l'emballage d'origine
 - b) N'essayez pas de réparer ou d'utiliser le détecteur tant que la réclamation pour dommages n'a pas été traitée par le fournisseur.
5. L'installation, la configuration et la maintenance ne doivent être effectuées que par du personnel qualifié et autorisé.
6. N'ouvrez PAS le boîtier avant. La garantie d'un appareil dont le boîtier avant a été ouvert est annulée. Seule une personne autorisée et qualifiée peut ouvrir les boîtiers avant dans le cadre des réparations et de la maintenance conseillées.
7. Ne modifiez PAS le boîtier avant ou des composants. Le non-respect de cette consigne aurait pour conséquence d'annuler la garantie et de compromettre la certification d'emplacement dangereux. Seule une personne autorisée et qualifiée peut ouvrir les boîtiers avant dans le cadre des réparations et de la maintenance conseillées.
8. Ne modifiez PAS la structure du détecteur de quelque manière que ce soit. Cela aurait pour conséquence d'annuler la garantie.
9. Ouvrez et fermez le couvercle du compartiment de câblage avec soin pour éviter de le déformer.
10. L'installation, la configuration et la maintenance ne doivent être effectuées que par du personnel qualifié et autorisé.
11. Évitez toute pénétration d'eau et de poussière en ouvrant le compartiment de câblage afin de protéger les contacts électroniques non blindés.
12. Maintenez le détecteur lors du desserrage des boulons du support. Il y a un risque de blessures s'il venait à se détacher.
13. Vérifiez les surfaces de contact avant de procéder à l'assemblage (filetages, joints toriques). Assurez-vous qu'elles sont propres et non contaminées.
14. Vérifiez les joints toriques avant de procéder à l'assemblage. S'ils sont endommagés, remplacez-les par des pièces d'origine.
15. Searchline Excel Plus est livré sans presse-étoupes. Vérifiez l'étanchéité de tous les filetages d'entrée de câble. Un bouchon adapté permet d'éviter les infiltrations d'eau et les dommages du filetage. Lors de l'installation, les bouchons des entrées de câbles utilisés pour le transport doivent être retirés et remplacés par des presse-étoupes, des adaptateurs de filetage ou des bouchons d'obturation appropriés pour respecter les exigences locales en matière de zones dangereuses.
16. Vérifiez que le bouchon d'obturation est adapté à l'utilisation prévue sur site et assurez-vous qu'il répond aux réglementations locales et nationales.
17. Coupez l'alimentation des instruments Searchline Excel Plus lors de l'installation du câblage. N'installez PAS les câbles ou ne configurez PAS le câblage si l'instrument est alimenté.

MISES EN GARDE

Si la boucle de courant 4–20 mA n'est pas utilisée, un cavalier doit être connecté entre 4–20 mA (terminal 5) et 24V CC+ (terminal 8) et une résistance de charge doit être connectée entre 4–20 mA (terminal 6) et 0V CC (terminal 9). Il est recommandé d'utiliser une résistance 470 Ohm, 1/4 W (250 à 400 Ω si HART est obligatoire). Avec la boucle de courant 4–20 mA configurée de cette façon, le site HART peut toujours être utilisé avec une unité portable HART utilisant les terminaux 20 et 21 dans le compartiment de câblage.

Le détecteur Searchline Excel Plus s'installe normalement en hauteur, généralement sur un poteau à l'aide des boulons en U fournis. Il doit couvrir la zone à protéger. Le support de montage universel fourni permet le montage sur une plaque, un poteau ou une autre infrastructure sur site. Tous les boulons sont conservés pour éviter leur perte pendant l'installation.

Searchline Excel Plus dispose de deux entrées avec les options M25 ou NPT 3/4 po pour faciliter le câblage. Les fils sont raccordés aux connecteurs des bornes conformément au schéma de câblage. Les fils de rechange doivent être correctement raccordés. Le câblage doit être effectué conformément aux réglementations locales, nationales et de l'entreprise. Il faut éviter d'utiliser des fils exposés ou dénudés. Consultez le **Manuel technique** pour obtenir des instructions sur l'installation mécanique et électrique.

Vous pouvez télécharger le Manuel technique sur le site www.sps.honeywell.com.

MISE EN SERVICE

MISES EN GARDE

1. Un appareil mobile avec l'application Honeywell Fixed Platform installée est une condition préalable pour le réglage des paramètres du détecteur au moyen de la connexion Bluetooth.
2. L'appareil doit être testé pour vérifier que son fonctionnement est conforme à ses caractéristiques techniques. La mise en service ou l'essai de mise à l'épreuve de Searchline Excel Plus ne peuvent sinon être considérés comme terminés.

1. Vérifiez que les unités Searchline Excel Plus sont correctement montées et branchées. Consultez la section **Installation** du **Manuel technique** pour obtenir des instructions.
2. Vérifiez que l'alignement optique des unités Searchline Excel Plus est correct. Consultez la section **Alignement** du **Manuel technique** pour obtenir des instructions.
3. Connectez-vous à l'**application Honeywell Fixed Platform** au moyen du Bluetooth.
4. Mettez l'émetteur et le récepteur Searchline Excel Plus sous tension.
5. Vérifiez le fonctionnement et effectuez un test d'intégrité de la boucle 4 -20 mA. Consultez la section **Mise en service** du **Manuel technique** pour obtenir des instructions.
6. Vérifiez que les unités Searchline Excel Plus sont configurées conformément aux recommandations du sondage du site concerné.
7. Si nécessaire, réglez les paramètres du détecteur à l'aide de l'**application Honeywell Fixed Platform**.
8. Vérifiez que les sorties de sécurité de Searchline Excel Plus fonctionnent correctement. Consultez la section **Maintenance** du **Manuel technique** pour obtenir des instructions.

Vous pouvez télécharger le Manuel technique sur le site www.sps.honeywell.com

OPTIONS CONFIGURABLES PAR L'UTILISATEUR

L'**application Honeywell Fixed Platform** permet à l'utilisateur de régler les options configurables suivantes :

- | | |
|--|---|
| 1. ID du détecteur | 13. Intensité de DEL |
| 2. Mode de fonctionnement | 14. Période de temporisation de désactivation |
| 3. Niveau de désactivation | 15. Définition du code d'accès |
| 4. Point de consigne d'alarme 1 - modification | 16. Niveau normal |
| 5. Point de consigne d'alarme 2 - ajout | 17. Verrouillage de l'alarme |
| 6. Niveau d'alerte | 18. Mode du courant de boucle |
| 7. Niveau de défaut | 19. Adresse d'interrogation HART |
| 8. Niveau de dépassement de la plage | 20. Relais de défaillance |
| 9. Niveau d'alarme 1 | 21. Relais d'alarme 1 |
| 10. Niveau d'alarme 2 | 22. Relais d'alarme 2 |
| 11. Fréquence des essais de mise à l'épreuve | 23. Unité de sortie pour relevé du gaz |
| 12. Mode DEL | 24. Temps de réponse (1,2,3 s) |

INDICATION DE L'ÉTAT

Searchline Excel Plus est équipé d'un indicateur d'état à DEL haute visibilité.

Consultez la section **Fonctionnement** du **Manuel technique** pour en savoir plus.

AVERTISSEMENT

Le comportement de l'indicateur d'état à DEL est configurable. Si l'indicateur d'état à DEL présente une configuration différente des paramètres par défaut, il peut indiquer des états différents des autres sorties.

Fonctionnement sans Bluetooth	Couleur	Combinaison
Défaut	Jaune clignotant	Valeur par défaut
Inhibition	Jaune fixe	Valeur par défaut
Avertissement	Jaune clignotant en alternance avec le vert	Valeur par défaut
Normal	Vert fixe	Valeur par défaut
Normal	Vert clignotant	Optionnel
Normal	Aucune	Optionnel
Alarme	Rouge clignotant	Valeur par défaut
Dépassement de plage	Rouge clignotant	Valeur par défaut

Fonctionnement avec Bluetooth	Couleur	Combinaison
Défaut	Jaune clignotant	Valeur par défaut
Inhibition	Jaune fixe	Valeur par défaut
Avertissement	Jaune clignotant en alternance avec le vert	Valeur par défaut
Normal	Bleu fixe	Valeur par défaut
Normal	Bleu clignotant	Optionnel
Alarme	Rouge clignotant	Valeur par défaut
Dépassement de plage	Rouge clignotant	Valeur par défaut
Connexion	Bleu clignotant	Valeur par défaut
Connecté	Bleu fixe	Valeur par défaut
Avertissement	Bleu en alternance	Valeur par défaut

Signalisation d'état de boucle mA

Mode	Valeur par défaut (mA)		Valeur minimum (mA)	Valeur maximum (mA)
	Mode discret	Mode proportionnel		
Défaut	1		0	3,6
Inhibition	2		1	3,6
Avertissement	3		1	4
Normal	4	Proportionnel à la concentration de gaz	4	20
Alarme	20	Non disponible	4	20
Dépassement de plage	21		20	22

ESSAI DE MISE À L'ÉPREUVE PÉRIODIQUE

Le fonctionnement de Searchline Excel Plus peut être vérifié à l'aide des filtres de test fonctionnel (en option) ou en combinaison avec l'application Honeywell Fixed Platform.

Consultez la section **Maintenance** du **Manuel technique** pour obtenir des instructions sur les tests de base et avancés.

Vous pouvez télécharger le Manuel technique sur le site www.sps.honeywell.com.

CARACTÉRISTIQUES TECHNIQUES

Gaz disponibles (gaz approuvés pour les performances ^{1,2})	Searchline Excel Plus & Edge répondra à une large gamme de gaz d'hydrocarbures *: Méthane ^{1,2} , Éthane ¹ , Propane ^{1,2} , Butane ¹ , Pentane ¹ , Hexane, Éthylène ¹ , Propylène ¹ , ¹ Homologation des performances par FM ; ² Homologué DNV L'étalonnage par défaut est à l'hydrocarbure universel**																		
Gaz en option	L'étalonnage avec d'autres gaz est facultatif et doit être consulté avec Honeywell.																		
Plage	Méthane 0 à 5 LEL.m/0 à 220 000 ppm.m Éthane 0 à 5 LEL.m/0 à 120 000 ppm.m Propane 0 à 5 LEL.m/0 à 85 000 ppm.m Butane 0 à 5 LEL.m/0 à 70 000 ppm.m Pentane 0 à 5 LEL.m/0 à 55 000 ppm.m Hexane 0 à 5 LEL.m/0 à 50 000 ppm.m Éthylène 0 à 5 LEL.m/0 à 115 000 ppm.m Propylène 0 à 5 LEL.m/0 à 100 000 ppm.m																		
Paramètres d'alarme recommandés	<table border="0"> <thead> <tr> <th><u>Faible 1 LEL.m :</u> <u>(et équivalent ppm.m)</u></th> <th><u>Élevé 3 LEL.m :</u> <u>(et équivalent ppm.m)</u></th> </tr> </thead> <tbody> <tr> <td>Méthane 44 000 ppm.m</td> <td>Méthane 132 000 ppm.m</td> </tr> <tr> <td>Éthane 24 000 ppm.m</td> <td>Éthane 72 000 ppm.m</td> </tr> <tr> <td>Propane 17 000 ppm.m</td> <td>Propane 51 000 ppm.m</td> </tr> <tr> <td>Butane 14 000 ppm.m</td> <td>Butane 42 000 ppm.m</td> </tr> <tr> <td>Pentane 11 000 ppm.m</td> <td>Pentane 33 000 ppm.m</td> </tr> <tr> <td>Hexane 10 000 ppm.m</td> <td>Hexane 30 000 ppm.m</td> </tr> <tr> <td>Éthylène 23 000 ppm.m</td> <td>Éthylène 69 000 ppm.m</td> </tr> <tr> <td>Propylène 20 000 ppm.m</td> <td>Propylène 60 000 ppm.m</td> </tr> </tbody> </table>	<u>Faible 1 LEL.m :</u> <u>(et équivalent ppm.m)</u>	<u>Élevé 3 LEL.m :</u> <u>(et équivalent ppm.m)</u>	Méthane 44 000 ppm.m	Méthane 132 000 ppm.m	Éthane 24 000 ppm.m	Éthane 72 000 ppm.m	Propane 17 000 ppm.m	Propane 51 000 ppm.m	Butane 14 000 ppm.m	Butane 42 000 ppm.m	Pentane 11 000 ppm.m	Pentane 33 000 ppm.m	Hexane 10 000 ppm.m	Hexane 30 000 ppm.m	Éthylène 23 000 ppm.m	Éthylène 69 000 ppm.m	Propylène 20 000 ppm.m	Propylène 60 000 ppm.m
<u>Faible 1 LEL.m :</u> <u>(et équivalent ppm.m)</u>	<u>Élevé 3 LEL.m :</u> <u>(et équivalent ppm.m)</u>																		
Méthane 44 000 ppm.m	Méthane 132 000 ppm.m																		
Éthane 24 000 ppm.m	Éthane 72 000 ppm.m																		
Propane 17 000 ppm.m	Propane 51 000 ppm.m																		
Butane 14 000 ppm.m	Butane 42 000 ppm.m																		
Pentane 11 000 ppm.m	Pentane 33 000 ppm.m																		
Hexane 10 000 ppm.m	Hexane 30 000 ppm.m																		
Éthylène 23 000 ppm.m	Éthylène 69 000 ppm.m																		
Propylène 20 000 ppm.m	Propylène 60 000 ppm.m																		
Réglage d'alarme minimum recommandé	<u>0,5 LEL.m : (et équivalent ppm.m)</u> Méthane 22 000 ppm.m Éthane 12 000 ppm.m Propane 8 500 ppm.m Butane 7 000 ppm.m Pentane 5 500 ppm.m Hexane 5 000 ppm.m Éthylène 11 500 ppm.m Propylène 10 000 ppm.m																		
Longueur de trajectoire	Searchline Excel Plus : 2 m à 120 m (6 pi à 393 pi)																		
Vitesse de réponse	T90 à moins de 3 secondes																		
Signal de sortie analogique	4-20 mA Fonctionnement normal, 1 mA Défaut*, 2 mA Inhibition, 3 mA Avertissement, 21 mA Dépassement de plage. *Après 30 s sans signal, Searchline Excel Plus indique une défaillance. Cette valeur est programmable. Pour respecter l'homologation des performances par FM, la valeur maximale du Délai avant Blocage est de 200 s.																		
Température ambiante de fonctionnement	-55 °C à +75 °C (-67 °F à +167 °F) ; Zone DNVGL-CG-0339 Classe B																		
Plage de températures de stockage	-55 °C à +75 °C (-67 °F à +167 °F) ; Zone DNVGL-CG-0339 Classe B																		
Alimentation	24 V CC nominal (18 à 32 V CC)																		

* Searchline Excel Plus & Edge répondra à la plupart des gaz d'hydrocarbures car la plupart absorbent l'IR dans les longueurs d'onde requises.

** L'étalonnage à l'hydrocarbure universel couvre une gamme de gaz spécifiques mais différents au sein d'un étalonnage qui répond aux exigences de la norme de performance.

CARACTÉRISTIQUES TECHNIQUES

Consommation électrique (moyen RMS)	Transmetteur , pour température ambiante de fonctionnement: -55 °C (-67 °F) à -30 °C (-22 °F) 11,8 W -30 °C (-22 °F) à +30 °C (+86 °F) 5,6 W au-dessus de +30 °C (+86 °F) 3,8 W Récepteur , pour température ambiante de fonctionnement: -55 °C (-67 °F) à -30 °C (-22 °F) 7,4 W -30 °C (-22 °F) à +30 °C (+86 °F) 4,8 W au-dessus de +30 °C (+86 °F) 3,0 W Voir Installation électrique dans le manuel technique pour plus de détails.	
Consommation électrique de démarrage à froid / chauffage	Le réchauffement dure env. 20 min pour l'émetteur et le récepteur Émetteur: 17 W Récepteur: 10 W pour une température ambiante supérieure à -30 °C (-22 °F) 15 W pour une température ambiante inférieure à -30 °C (-22 °F) (le dispositif de chauffage est actif)	
Signaux de sortie	4 à 20 mA avec HART, Relais de défaut, Relais d'alarme 1, Relais d'alarme 2, Modbus, Bluetooth® (portée jusqu'à 20 m (66 pi), dépend de l'appareil mobile et des conditions environnementales)	
Sorties relais	32 V CC/CA max., charge résistive max. 2 A	
Courant d'appel	Émetteur: 0,5 A pendant moins de 20 ms Récepteur: 0,3 A pendant moins de 20 ms	
Humidité	0 à 99% HR sans condensation, Zone DNVGL-CG-0339 Classe B	
Pression	91,5 à 105,5 kPa (915 à 1 055 mBar, sans compensation)	
Répétabilité	<u>±0,4 LEL.m:</u> Méthane ±17 600 ppm.m Éthane ±9 600 ppm.m Propane ±6 800 ppm.m Butane ±5 600 ppm.m Pentane ±4 400 ppm.m Hexane ±4 000 ppm.m Éthylène ±9 200 ppm.m Propylène ±8 000 ppm.m	
Dérive de température -55 °C à +75 °C (-67 °F à +167 °F)	<u>±0,2 LEL.m à zéro:</u> Méthane ±8 800 ppm.m Éthane ±4 800 ppm.m Propane ±3 400 ppm.m Butane ±2 800 ppm.m Pentane ±2 200 ppm.m Hexane ±2 000 ppm.m Éthylène ±4 600 ppm.m Propylène ±4 000 ppm.m	<u>±0,5 LEL.m à 3 LEL.m:</u> Méthane ±22 000 ppm.m à 132 000 ppm.m Éthane ±12 000 ppm.m à 72 000 ppm.m Propane ±8 500 ppm.m à 51 000 ppm.m Butane ±7 000 ppm.m à 42 000 ppm.m Pentane ±5 500 ppm.m à 33 000 ppm.m Hexane ±5 000 ppm.m à 30 000 ppm.m Éthylène ±11 500 ppm.m à 69 000 ppm.m Propylène ±10 000 ppm.m à 60 000 ppm.m
Durée de préchauffage	Moins de 5 minutes (opérationnel), moins de 1 heure (stabilisation complète)	
Cellule de batterie interne	TLH-2450, durée de vie de 10 ans (remplacement uniquement par un service après-vente agréé)	
Poids	Searchline Excel Plus : Rx 6,1 kg (13,4 lb), Tx 6,0 kg (13,2 lb) Support de montage universel : 3,1 kg (6,9 lb) Acier inoxydable Adaptateur pour plaque de montage : 3,71 kg (8,18 lb) Acier inoxydable	
Dimensions	Émetteur et récepteur Searchline Excel Plus : diam. 103 mm x 325 mm x 180 mm (diam. 4,06 x 12,8 x 7,09 po) Support de montage universel : 165 mm x 165 mm x 130 mm (6,5 x 6,5 x 5,12 po) Adaptateur pour plaque de montage : 210 mm x 210 mm x 127 mm (8,23 x 8,23 x 5 po)	

CARACTÉRISTIQUES TECHNIQUES

Indice de protection	<p>IP 66/67 (Type 4X, conformément à la norme NEMA 250)^{1,2}</p> <p>¹ Les indices de protection IP et/ou de résistance à la corrosion se réfèrent à la protection du boîtier de l'instrument. Ils n'impliquent pas que l'instrument détectera le gaz pendant et immédiatement après l'exposition à ces conditions</p> <p>² Reportez-vous à Maintenance dans le manuel technique pour les recommandations et les exigences de maintenance concernant le déluge et les inondations.</p> <p>Résistance au brouillard salin et à l'atmosphère sulfurique (exposition de 15 à 60 minutes à l'air/brouillard salin ; 15 à 60 minutes à l'atmosphère sulfurique)</p>
Accessoires	<p>2331B1020 Grand support de montage réglable</p> <p>2017B0113 Dispositif de protection contre le soleil en acier inoxydable</p> <p>2017B0299 Portée de l'alignement</p> <p>2017B0218 Filtres de test fonctionnel</p> <p>Dispositif d'extension des filtres de test fonctionnel</p> <p>2017B0185 Cellule de test de gazage</p> <p>Téléphone portable en zone dangereuse</p> <p>Application Honeywell Fixed Platform¹</p> <p>¹ testé avec le téléphone mobile Ecom Smart EX02. D'autres téléphones et tablettes fonctionnant sous Android 5.1 ou version ultérieure peuvent fonctionner, mais Honeywell ne garantit pas une fonctionnalité complète.</p>
Pièces de rechange	<p>2331B1100 Plaque de support de montage universel de rechange</p> <p>2017B0112 Protection contre le soleil standard de rechange (Plastique)</p> <p>2331B1150 Ensemble de bornes de raccordement de rechange (Lot de 5)</p> <p>2331B1160 Couverture d'antenne de rechange (Lot de 5)</p>
Conformité	<p>Homologations de base :</p> <p>EN 50270 : (Comptabilité électromagnétique)</p> <p>CEI/EN 61000-6-4; Directive relative aux équipements radioélectriques 2014/53/UE</p> <p>CEI/EN/UL/CSA 61010 (Sécurité électrique)</p> <p>FCC/IC</p> <p>RoHS, RoHS Chine</p>
Homologations de sécurité	<p>cULus :</p> <p>Cl. I, Div.1, Gr. B,C,D, T4 (Ta -55°C to +75°C)</p> <p>Cl. II, Div.1, Gr. E,F,G, T4 (Ta -55°C to +55°C)</p> <p>Cl. III</p> <p>Cl. I, Zn. 1 AEx db ia op is IIC T4 Gb (Ta -55°C to +75°C)</p> <p>Cl. I, Zn. 1 AEx db eb ia op is IIC T4 Gb (Ta -55°C to +75°C)</p> <p>Zn. 21 AEx ia op is tb IIIC T100°C Db (Ta -55°C to +55°C)</p> <p>Ex db ia op is IIC T4 Gb X (Ta -55°C to +75°C)</p> <p>Ex db eb ia op is IIC T4 Gb X (Ta -55°C to +75°C)</p> <p>Ex ia op is tb IIIC T100°C Db X (Ta -55°C to +55°C)</p> <p>Um = 250 Vrms</p> <p>DEMKO 20 ATEX 2281X / IECEx UL 20.0009X / UL21UKEX2047X</p> <p>(Ex d install) Ex db ia op is IIC T4 Gb (Ta -55°C to +75°C) or</p> <p>(Ex de install) Ex db eb ia op is IIC T4 Gb (Ta -55°C to +75°C)</p> <p>Ex ia op is tb IIIC T100°C Db (Ta -55°C to +75°C)</p> <p>Um = 250 Vrms</p> <p>Approbations de performance</p> <p>FM 60079-29-4 /UL 60079-29-4</p> <p>Sécurité fonctionnelle (SIL)</p> <p>Certifié SIL 2 par TÜV (SÜD) selon EN61508</p> <p>Approbations de base</p> <p>EN 50270: (EMC) IEC/EN 61000-6-4; Directive sur les équipements radio 2014/53/EU IEC / EN / UL / CSA 61010 (sécurité électrique); FCC / IC; RoHS, Chine RoHS</p>

GARANTIE

Honeywell Analytics garantit l'émetteur et le récepteur du détecteur de gaz inflammables par barrière Searchline Excel Plus pendant 5 ans contre tout défaut de pièces et de main-d'œuvre.

Cette garantie ne couvre pas les consommables, les batteries, les fusibles, l'usure normale de l'appareil ni les dommages causés par un accident, une utilisation inappropriée, une installation incorrecte, une utilisation, modification ou réparation non autorisée, un environnement ambiant, une exposition à des poisons ou à des contaminants, ou des conditions d'utilisation anormales.

Cette garantie ne s'applique pas aux capteurs ou aux composants qui sont couverts par des garanties distinctes, ni à des câbles et composants fournis par un tiers.

En aucun cas Honeywell Analytics ne sera tenu responsable des dommages ou blessures, de quelque nature et cause que ce soit, découlant d'une manipulation ou d'une utilisation incorrecte de cet équipement. En aucun cas Honeywell Analytics ne peut être tenu responsable d'un dysfonctionnement de l'équipement ou de dommages quels qu'ils soient, y compris mais sans s'y limiter, les dommages accidentels, directs, indirects, particulier et immatériels, ou encore des dommages entraînant une perte de profits, une interruption de l'activité, une perte de données commerciales ou toute autre perte financière résultant de la mauvaise installation de cet équipement ou d'une utilisation non appropriée.

Les réclamations relevant de la garantie de produit Honeywell Analytics doivent être effectuées dans la période de garantie spécifiée et le plus rapidement possible après la découverte du problème. Veuillez contacter votre représentant local Honeywell Analytics Service pour déposer votre réclamation.

Ceci est un résumé. Pour connaître toutes les modalités de la garantie, reportez-vous à la « **Déclaration générale de garantie limitée** » de Honeywell, disponible sur demande.

REMARQUE :

Conservez la fiche d'enregistrement en lieu sûr pour référence ultérieure.

Searchline Excel™ Plus is een 3^{de} generatie OPFGD (Open Path Flammable Hydrocarbon Gas Leak Detector) ontworpen om de aanwezigheid van een reeks brandbare koolwaterstoffen te detecteren en hiervoor te waarschuwen. Searchline Excel Plus is een geavanceerde OPFGD voor veiligheidstoepassingen met een bereik van 2 tot 120 meter (6 tot 393 ft). Searchline Excel Plus bestaat uit een combinatie van een zender en ontvanger die de aanwezigheid van een reeks ontvlambare koolwaterstofgassen in een lijn tussen deze twee detecteert. Searchline Excel Plus biedt een onverslaanbare uptime met robuuste detectie onder de zwaarste omstandigheden, zelfs in de dikste mist. Het wordt als een compleet systeem geleverd met montagebeugels en zonwering en bevat bovendien uitlijn- en testaccessoires.

Searchline Excel Plus biedt lokale visuele statusindicatie en bevat standaard HART® en Modbus®-uitgangen voor 4 tot 20 mA. Het heeft een Bluetooth®-interface voor configuratie en onderhoud met behulp van de Honeywell Fixed Platform App via een apparaat dat geschikt is voor Bluetooth.

Searchline Excel Plus is ATEX- en IECEx-goedgekeurd voor gebruik in gevaarlijke gebieden van zone 1 (gas) of Zone 21 (stof) en is cULus-goedgekeurd voor gebruik in locaties van Klasse I Divisie 1 of Klasse II Divisie 1 of Klasse III Divisie 1.

Searchline Excel Plus is verkrijgbaar in roestvrij staal met een coating en heeft twee kabelgangen voor gemakkelijke bedrading op basis van M25 of 3/4" NPT.

⚠ WAARSCHUWING

1. Searchline Excel Plus OPFGD is gecertificeerd voor en bedoeld voor gebruik in potentieel gevaarlijke omgevingen. Installatie, bediening en onderhoud van het instrument moeten voldoen aan eisen op het gebied van veiligheid en bediening in gevaarlijke omgevingen.
2. De installatie moet voldoen aan de erkende normen van de bevoegde autoriteit in het betreffende land. In Europa zie EN 60079-14 en EN 60079-29-2.
3. Voor installaties in het VK moet de gedragscode SELECTION, INSTALLATION AND MAINTENANCE OF ELECTRICAL APPARATUS FOR USE IN POTENTIALLY EXPLOSIVE ATMOSPHERES strikt worden nageleefd. Algemene aanbevelingen worden gegeven in BS EN 60079-14 en IEC 60079-14. Raadpleeg BS EN 60079-29-2 en IEC 60079-29-2 in het VK of de toepasselijke lokale of nationale regelgeving.
4. Voor installaties in Noord-Amerika moet de National Electrical Code (NFPA 70 of later) strikt in acht worden genomen.
5. De zenders en ontvangers van Searchline Plus OPFGD moeten goed worden geaard om te beschermen tegen elektrische schokken en om elektrische interferentie te minimaliseren. Zie hoofdstuk 6 Elektrische installatie voor overwegingen bij het ontwerp van de elektrische installatie.
6. Operators moeten zich volledig bewust zijn van de handelingen die moeten worden verricht als de gasconcentratie een alarmniveau overschrijft.
7. Demontage of reparatie van apparatuur mag alleen in een veilige omgeving worden uitgevoerd.
8. Testgassen kunnen giftig en/of brandbaar zijn. Raadpleeg de Material Safety Sheets (veiligheidsinformatiebladen) voor de juiste waarschuwingen.
9. Boor GEEN gaten in een behuizing, aangezien dit de explosiebeveiliging ongeldig maakt.
10. Vanwege de elektrische veiligheid mogen de instrumenten NIET worden gebruikt in een atmosfeer met meer dan 21% zuurstof.
11. Zorg ervoor dat de bouten, waarmee vlambestendige behuizingen zijn bevestigd, volledig zijn vastgedraaid. De gebruikte bevestigingsbouten zijn gemaakt van een speciaal gecertificeerd staalsoort. Voor dit doel mogen alleen bouten worden aangebracht die door Honeywell Analytics worden geleverd.
12. Open de behuizing NIET in een explosieve atmosfeer.
13. Tijdens bedrijf ontstaan er hoge spanningen in de zenderenheid. Deze worden ontladen wanneer de eenheid uit zijn behuizing wordt gehaald.
14. De buis en kabelwartels die op de Searchline Excel Plus-zender en -ontvanger zijn gemonteerd, mogen NIET worden gewijzigd. Als het echter nodig wordt om wijzigingen aan te brengen, moeten deze voldoen aan de relevante nationale regelgeving.
15. De straling en het vermogen van de Searchline Excel Plus-zenders bedragen respectievelijk minder dan 5 mW/mm² en 15 mW/mm². Dit wordt aangeduid als oogveilig.

WAARSCHUWING

16. De apparatuur is NIET bedoeld om te worden gemonteerd op oppervlakken die kunnen dienen als verwarmings- of koelingsbron.
17. Gebruik de instrumenten NIET buiten het temperatuurbereik vermeld in de sectie Specificaties.
18. Open de voorste behuizingen NIET. Hierdoor vervalt de garantie. De voorste behuizingen mogen alleen worden geopend voor aanbevolen reparatieonderhoud door een geautoriseerd en gekwalificeerd persoon.
19. Wijzig of verander de constructie van het product NIET, aangezien hierdoor essentiële veiligheids- en certificeringsvereisten ongeldig kunnen worden.
20. Installatie, configuratie en onderhoud mogen alleen worden uitgevoerd door personeel dat hiervoor is opgeleid. Raadpleeg altijd de handleiding.
21. Toegang tot de binnenkant van het product tijdens het uitvoeren van werkzaamheden mag alleen worden uitgevoerd door personeel dat hiervoor is opgeleid.
22. De meegeleverde plastic transportdop moet vóór inbedrijfstelling worden vervangen door geschikte gecertificeerde afsluiters (zoals wartels of afsluitdoppen). Als u dit niet doet, vormt dit een mogelijke ontstekingsbron. Eén gecertificeerde afsluitdop wordt standaard meegeleverd.
23. Vertrouw NIET op de lokale visuele indicator voor veiligheid gerelateerde doeleinden.

OPGELET

1. Een mobiel apparaat waarop de Honeywell Fixed Platform App is geïnstalleerd, is een voorwaarde voor aanpassing van de detectorinstellingen via de Bluetooth-verbinding.
2. Ingebruikname of test van Searchline Excel Plus is pas voltooid als het apparaat is getest om te controleren of het werkt volgens de specificaties.

OPMERKING:

Als de laatste verbinding en synchronisatie tussen de Honeywell Fixed Platform App en de server **meer dan 1 jaar eerder** heeft plaatsgevonden, wordt een waarschuwingsbericht weergegeven in de App met het verzoek om een internetverbinding tot stand te brengen en het beveiligingscertificaat te vernieuwen. Dit is NIET van invloed op de werking van het instrument.

WAT ZIT ER IN DE DOOS?

- 1 Searchline Excel Plus-ontvanger (doos nr. 1)
- 1 Searchline Excel Plus-zender (doos nr. 2)
- 1 universele montagebeugel
- 1 kunststof zonnewering (optioneel van roestvrij staal)
- 1 antenne-afdekking
- 1 inbussleutel maat 10
- 1 inbussleutel maat 8
- 1 inbussleutel maat 5
- 1 inbussleutel maat 1.5
- 1 registratieblad
- 1 Beknopte gebruiksaanwijzing (dit document)

INSTALLATIE

OPGELET

1. Controleer de verpakking op beschadigingen voordat u deze opent. Als de verpakking tekenen van scheuren, breuken of andere beschadigingen vertoont, dient u het transportbedrijf en de leverancier onmiddellijk op de hoogte te stellen. Documenteer de schade op een gepaste manier (bijv. door middel van foto's).
2. Open de verpakking voorzichtig om beschadiging van de inhoud te voorkomen.
3. Controleer de Searchline Excel Plus-ontvanger en -zender, de montagebeugel en zonwering op beschadigingen. Als u merkt dat een artikel op enigerlei wijze is beschadigd, neem dan onmiddellijk contact op met het transportbedrijf en de leverancier. Documenteer de schade op een gepaste manier (bijv. door middel van foto's).
4. Bij schade:
 - a) Laat artikelen in de originele verpakking.
 - b) Probeer de detector niet te repareren of te gebruiken, totdat de schadeclaim door de leverancier is opgelost.
5. Installatie, configuratie en onderhoud mogen alleen worden uitgevoerd door geautoriseerd personeel dat hiervoor is opgeleid.
6. Open de voorste behuizing NIET. De garantie van een eenheid waarvan de voorste behuizing is geopend, vervalt. De voorste behuizingen mogen alleen worden geopend voor aanbevolen reparatieonderhoud door een geautoriseerd en gekwalificeerd persoon.
7. Wijzig de voorste behuizing of componenten NIET, aangezien dit de certificering voor gevaarlijke locaties in gevaar brengt en de garantie ongeldig maakt. De voorste behuizingen mogen alleen worden geopend voor aanbevolen reparatieonderhoud door een geautoriseerd en gekwalificeerd persoon.
8. Wijzig de constructie van de detector op GEEN enkele manier, omdat dit de garantie ongeldig maakt.
9. Open en sluit de deksel van het bekabelingscompartiment voorzichtig om vervorming te voorkomen.
10. Installatie, configuratie en onderhoud mogen alleen worden uitgevoerd door geautoriseerd personeel dat hiervoor is opgeleid.
11. Voorkom het binnendringen van water en stof bij het openen van het bekabelingscompartiment om de niet-afgeschermd elektronische contacten te beschermen.
12. Houd de detector goed vast bij het losdraaien van de beugelbouten. Onbedoeld loslaten kan letsel veroorzaken.
13. Controleer de pasvlakken vóór de montage (schroefdraden, O-ringen). Zorg ervoor dat deze schoon en vrij van verontreinigingen zijn.
14. Controleer de O-ringen voorafgaand aan de montage, vervang indien beschadigd door originele onderdelen.
15. Searchline Excel Plus wordt geleverd zonder kabelwartels. Zorg ervoor dat alle schroefdraden van de kabelinvoer zijn afdicht met een geschikte plug om het binnendringen van water en beschadiging van de schroefdraad te voorkomen. Bij installatie moeten de transportpluggen voor kabeldoorvoer worden verwijderd en vervangen door geschikte kabelwartels, schroefdraadadapters of afdichtpluggen om te voldoen aan de lokale vereisten voor gevaarlijke locaties.
16. Controleer of de borgplug geschikt is voor het gebruik ter plaatse en zorg ervoor dat deze voldoet aan de lokale en nationale regelgeving.
17. Schakel de stroom van de Searchline Excel Plus-instrumenten uit tijdens het installeren van bedrading. Installeer GEEN draden of bedrading wanneer de stroom is ingeschakeld.

OPGELET

Als de 4 – 20 mA-stroomlus niet wordt gebruikt, dan moet er een jumper worden aangesloten tussen 4 – 20 mA+ (aansluitklem 5) en 24 V DC+ (aansluitklem 8) en moet er een belastingsweerstand worden aangesloten tussen 4 – 20 mA- (aansluitklem 6) en 0 V DC (aansluitklem 9). Het wordt aanbevolen om een weerstand van 470 ohm, 1/4 W te gebruiken (250 tot 400 Ω als HART is vereist). Als de 4 – 20 mA-stroomlus op deze manier is geconfigureerd, dan kan de HART-faciliteit nog steeds worden gebruikt met een HART-handapparaat met aansluitklemmen 20 en 21 in het bedradingcompartiment.

Searchline Excel Plus wordt normaal gesproken op hoogte gemonteerd, meestal op een paal, met behulp van de meegeleverde U-bouten boven het gebied dat moet worden beveiligd. De meegeleverde universele montagebeugel maakt montage op een plaat, paal of andere fabrieksinfrastructuur mogelijk. Alle bouten worden bewaard om verlies tijdens de installatie te voorkomen.

Searchline Excel Plus heeft twee kabelingangen voor gemakkelijke bedrading op basis van M25 of 3/4" NPT. Draden worden beëindigd bij de terminalconnectoren volgens het bedradingsschema. Reservedraden moeten op de juiste manier worden beëindigd. De bedrading moet in overeenstemming zijn met de lokale, nationale en bedrijfsvoorschriften. Blootliggende of kale draden moeten worden vermeden. Raadpleeg de **Technical Manual** (Technische handleiding) voor instructies over mechanische en elektrische installatie.

U kunt de Technical Manual (Technische handleiding) downloaden van www.sps.honeywell.com.

INBEDRIJFSTELLING

OPGELET

1. Een mobiel apparaat waarop de Honeywell Fixed Platform App is geïnstalleerd, is een voorwaarde voor aanpassing van de detectorinstellingen via de Bluetooth-verbinding.
2. Ingebruikname of test van Searchline Excel Plus is pas voltooid als het apparaat is getest om te controleren of het werkt volgens de specificaties.

1. Controleer of de Searchline Excel Plus-eenheden op de juiste wijze zijn gemonteerd en bedraad. Raadpleeg de sectie **Installation** (Installatie) van de **Technical Manual** (Technische handleiding) voor verdere instructies.
2. Controleer of Searchline Excel Plus-eenheden optisch op de juiste wijze zijn uitgelijnd. Raadpleeg de sectie **Alignment** (Uitlijnen) van de **Technical Manual** (Technische handleiding) voor verdere instructies.
3. Maak verbinding met de **Honeywell Fixed Platform App** via Bluetooth.
4. Schakel de zender en ontvanger van Searchline Excel Plus in.
5. Voer functionele controle en de lus-integriteitstest voor 4 tot 20 mA uit. Raadpleeg de sectie **Commissioning** (Inbedrijfstelling) van de **Technical Manual** (Technische handleiding) voor verdere instructies.
6. Controleer of de Searchline Excel Plus-eenheden zijn geconfigureerd zoals aanbevolen in het desbetreffende locatieonderzoeksdocument.
7. Pas indien nodig de detectorinstellingen aan met behulp van de **Honeywell Fixed Platform App**.
8. Controleer of de veiligheidsuitgangen van Searchline Excel Plus correct werken. Raadpleeg de sectie **Maintenance** (Onderhoud) van de **Technical Manual** (Technische handleiding) voor verdere instructies.

U kunt de Technical Manual (Technische handleiding) downloaden van www.sps.honeywell.com

DOOR GEBRUIKERS CONFIGUREERBARE OPTIES

Via de **Honeywell Fixed Platform App** kunt u de volgende door de gebruiker configureerbare opties aanpassen:

- | | |
|-----------------------------------|-------------------------------------|
| 1. Detector-ID | 13. LED-intensiteit |
| 2. Bedieningsmodus | 14. Periode van time-out-blokkering |
| 3. Blokkeerniveau | 15. Toegangscode instellen |
| 4. Instelpunt Alarm 1 – wijzigen | 16. Normaal niveau |
| 5. Instelpunt Alarm 2 – toevoegen | 17. Alarmvergrendeling |
| 6. Waarschuwingsniveau | 18. Lus huidige modus |
| 7. Foutniveau | 19. HART-polladres |
| 8. Overbereikniveau | 20. Foutrelais |
| 9. Niveau Alarm 1 | 21. Relais Alarm 1 |
| 10. Niveau Alarm 2 | 22. Relais Alarm 2 |
| 11. Normtestinterval | 23. Uitgangseenheid gasmeting |
| 12. LED-modus | 24. Responstijd (1,2,3 sec) |

STATUSIGNALERING

Searchline Excel Plus is uitgerust met een goed zichtbare LED-statusindicator.

Raadpleeg de sectie **Operation** (Bediening) van de **Technical Manual** (Technische handleiding) voor meer informatie.

WAARSCHUWING

Het gedrag van de LED-statusindicatoren is configureerbaar. Als de LED-statusindicator anders is geconfigureerd dan standaard, kan deze situaties aangeven die anders zijn dan bij andere uitgangen.

Bediening zonder Bluetooth	Kleur	Schema
Fout	Geel knipperend	Standaard
Blokkering	Geel constant	Standaard
Waarschuwing	Geel knipperend met afwisselend groen	Standaard
Normaal	Groen constant	Standaard
Normaal	Groen knipperend	Optioneel
Normaal	Geen	Optioneel
Alarm	Rood knipperend	Standaard
Overbereik	Rood knipperend	Standaard

Bediening met Bluetooth	Kleur	Schema
Fout	Geel knipperend	Standaard
Blokkering	Geel constant	Standaard
Waarschuwing	Geel knipperend met afwisselend groen	Standaard
Normaal	Blauw constant	Standaard
Normaal	Blauw knipperend	Optioneel
Alarm	Rood knipperend	Standaard
Overbereik	Rood knipperend	Standaard
Verbinding wordt gemaakt	Blauw knipperend	Standaard
Verbonden	Blauw constant	Standaard
Waarschuwing	Blauw afwisselend	Standaard

Signalering mA-lusstatus

Modus	Standaardwaarde (mA)		Minimumwaarde (mA)	Maximumwaarde (mA)
	Discrete modus	Proportionele modus		
Fout	1		0	3.6
Blokkering	2		1	3.6
Waarschuwing	3		1	4
Normaal	4	Evenredig met gasconcentratie	4	20
Alarm	20	Niet beschikbaar	4	20
Overbereik	21		20	22

PERIODIEKE BEWIJSTEST

De functionaliteit van Searchline Excel Plus kan worden geverifieerd met behulp van de functionele testfilters (optioneel) of in combinatie met de Honeywell Fixed Platform App.

Raadpleeg de sectie **Maintenance** (Onderhoud) van de **Technical Manual** (Technische handleiding) voor instructies over testen op basis- en gevanceerd niveau.

U kunt de Technical Manual (Technische handleiding) downloaden van www.sps.honeywell.com.

SPECIFICATIES

Beschikbare gassen (prestatie-goedgekeurde gassen ^{1,2})	Searchline Excel Plus & Edge reageert op een breed scala aan koolwaterstofgassen *: Methaan ^{1,2} , ethaan ¹ , propaan ^{1,2} , butaan ¹ , pentaan ¹ , hexaan, ethyleen ¹ , propyleen ¹ , ¹ FM-prestaties goedgekeurd; ² Goedgekeurd door DNV De standaardkalibratie is op universele koolwaterstof**																		
Optionele gassen	Kalibratie voor andere gassen is optioneel en dient te worden geraadpleegd met Honeywell.																		
Bereik	Methaan 0-5 LEL.m / 0-220.000 ppm.m Ethaan 0-5 LEL.m / 0-120.000 ppm.m Propaan 0-5 LEL.m / 0-85.000 ppm.m Butaan 0-5 LEL.m / 0-70.000 ppm.m Pentaan 0-5 LEL.m / 0-55.000 ppm.m Hexaan 0-5 LEL.m / 0-50.000 ppm.m Ethyleen 0-5 LEL.m / 0-115.000 ppm.m Propyleen 0-5 LEL.m / 0-100.000 ppm.m																		
Aanbevolen Alarminstelling	<table border="0"> <thead> <tr> <th><u>Lage 1 LEL.m:</u> <u>(en gelijkwaardige ppm.m)</u></th> <th><u>Hoge 3 LEL.m:</u> <u>(en gelijkwaardige ppm.m)</u></th> </tr> </thead> <tbody> <tr> <td>Methaan 44.000 ppm.m</td> <td>Methaan 132.000 ppm.m</td> </tr> <tr> <td>Ethaan 24.000 ppm.m</td> <td>Ethaan 72.000 ppm.m</td> </tr> <tr> <td>Propaan 17.000 ppm.m</td> <td>Propaan 51.000 ppm.m</td> </tr> <tr> <td>Butaan 14.000 ppm.m</td> <td>Butaan 42.000 ppm.m</td> </tr> <tr> <td>Pentaan 11.000 ppm.m</td> <td>Pentaan 33.000 ppm.m</td> </tr> <tr> <td>Hexaan 10.000 ppm.m</td> <td>Hexaan 30.000 ppm.m</td> </tr> <tr> <td>Ethyleen 23.000 ppm.m</td> <td>Ethyleen 69.000 ppm.m</td> </tr> <tr> <td>Propyleen 20.000 ppm.m</td> <td>Propyleen 60.000 ppm.m</td> </tr> </tbody> </table>	<u>Lage 1 LEL.m:</u> <u>(en gelijkwaardige ppm.m)</u>	<u>Hoge 3 LEL.m:</u> <u>(en gelijkwaardige ppm.m)</u>	Methaan 44.000 ppm.m	Methaan 132.000 ppm.m	Ethaan 24.000 ppm.m	Ethaan 72.000 ppm.m	Propaan 17.000 ppm.m	Propaan 51.000 ppm.m	Butaan 14.000 ppm.m	Butaan 42.000 ppm.m	Pentaan 11.000 ppm.m	Pentaan 33.000 ppm.m	Hexaan 10.000 ppm.m	Hexaan 30.000 ppm.m	Ethyleen 23.000 ppm.m	Ethyleen 69.000 ppm.m	Propyleen 20.000 ppm.m	Propyleen 60.000 ppm.m
<u>Lage 1 LEL.m:</u> <u>(en gelijkwaardige ppm.m)</u>	<u>Hoge 3 LEL.m:</u> <u>(en gelijkwaardige ppm.m)</u>																		
Methaan 44.000 ppm.m	Methaan 132.000 ppm.m																		
Ethaan 24.000 ppm.m	Ethaan 72.000 ppm.m																		
Propaan 17.000 ppm.m	Propaan 51.000 ppm.m																		
Butaan 14.000 ppm.m	Butaan 42.000 ppm.m																		
Pentaan 11.000 ppm.m	Pentaan 33.000 ppm.m																		
Hexaan 10.000 ppm.m	Hexaan 30.000 ppm.m																		
Ethyleen 23.000 ppm.m	Ethyleen 69.000 ppm.m																		
Propyleen 20.000 ppm.m	Propyleen 60.000 ppm.m																		
Aanbevolen minimale alarminstelling	<u>0,5 LEL.m: (en gelijkwaardige ppm.m)</u> Methaan 22.000 ppm.m Ethaan 12.000 ppm.m Propaan 8.500 ppm.m Butaan 7.000 ppm.m Pentaan 5.500 ppm.m Hexaan 5.000 ppm.m Ethyleen 11.500 ppm.m Propyleen 10.000 ppm.m																		
Padlengte	Searchline Excel Plus: 2 tot 120 m eter (6 tot 393 ft)																		
Reactiesnelheid	T90 minder dan 3 seconden																		
Analoog uitgangssignaal	4-20 mA Normale werking, 1 mA-fout*, 2 mA Blokkering, 3 mA Waarschuwing, 21 mA Overbereik, *Searchline Excel Plus geeft fout aan na 30 seconden zonder signaal. Deze waarde is programmeerbaar. Om te voldoen aan de FM-prestatiegoedkeuring, is de maximale waarde voor Time to Block (Tijd tot blokkering) 200 seconden.																		
Omgevingstemperatuur tijdens bedrijf	-55 °C tot +75 °C (-67 °F tot +167 °F); DNVGL-CG-0339 Locatieklasse B																		
Opslagtemperatuurbereik:	-55 °C tot +75 °C (-67 °F tot +167 °F); DNVGL-CG-0339 Locatieklasse B																		
Voeding	24 Vdc nominaal (18 Vdc tot 32 Vdc)																		

* Searchline Excel Plus & Edge reageren op de meeste koolwaterstofgassen, aangezien de meeste IR absorberen in de vereiste golflengten.

** Kalibratie op universele koolwaterstof omvat een reeks specifieke maar verschillende gassen binnen één kalibratie die voldoet aan de vereisten van de prestatienorm.

SPECIFICATIES

Stroomverbruik (gemiddelde RMS)	<p>Zender, voor omgevingstemperatuur: -55 °C (-67 °F) tot -30 °C (-22 °F) 1,8 W -30 °C (-22 °F) tot +30 °C (+86 °F) 5,6 W boven +30 °C (+86 °F) 3,8 W</p> <p>Ontvanger, voor omgevingstemperatuur: -55 °C (-67 °F) tot -30 °C (-22 °F) 7,4 W -30 °C (-22 °F) tot +30 °C (+86 °F) 4,8 W boven +30 °C (+86 °F) 3,0 W</p> <p>Zie Elektrische installatie in de technische handleiding voor volledige details.</p>																		
Stroomverbruik bij koude start / opwarmen	<p>Opwarmen laatste ca. 20 min voor zowel zender als ontvanger</p> <p>Zender: 17 W</p> <p>Ontvanger: 10 W voor omgevingstemperatuur hoger dan -30 °C (-22 °F) 15 W voor omgevingstemperatuur lager dan -30 °C (-22 °F) (verwarming is actief)</p>																		
Uitgangssignalen	4–20 mA met HART, foutrelais, relais Alarm 1, relais Alarm, Modbus, Bluetooth® (bereik tot 20 m (66 ft), afhankelijk van het mobiele apparaat en de omgevingsvoorwaarden)																		
Relaisuitgangen	Maximaal 32 Vdc/ac, maximaal 2 A weerstandsbelasting																		
Aanloopstroom	Zender: 0,5 A gedurende minder dan 20 ms Ontvanger: 0,3 A gedurende minder dan 20 ms																		
Luchtvochtigheid	0–99 % relatieve luchtvochtigheid (niet-condenserend), DNVGL-CG-0339 Locatieklasse B																		
Druk	91,5–105,5 kPa (915–1055 mBar, niet-gecompenseerd)																		
Herhaalbaarheid	<p><u>±0,4 LEL.m: (en gelijkwaardige ppm.m)</u></p> <p>Methaan ±17.600 ppm.m Ethaan ±9.600 ppm.m Propaan ±6.800 ppm.m Butaan ±5.600 ppm.m Pentaan ±4.400 ppm.m Hexaan ±4.000 ppm.m Ethyleen ±9.200 ppm.m Propyleen ±8.000 ppm.m</p>																		
Temperatuurafwijking (-55 °C tot +75 °C) (-67 °F tot +167 °F)	<table border="0"> <tr> <td><u>±0,2 LEL.m @ nul;</u> <u>(en gelijkwaardige ppm.m)</u></td> <td><u>±0,5 LEL.m @ 3LEL.m;</u> <u>(en gelijkwaardige ppm.m)</u></td> </tr> <tr> <td>Methaan ±8.800 ppm.m</td> <td>Methaan ±22.000 ppm.m @ 132.000 ppm.m</td> </tr> <tr> <td>Ethaan ±4.800 ppm.m</td> <td>Ethaan ±12.000 ppm.m @ 72.000 ppm.m</td> </tr> <tr> <td>Propaan ±3.400 ppm.m</td> <td>Propaan ±8.500 ppm.m @ 51.000 ppm.m</td> </tr> <tr> <td>Butaan ±2.800 ppm.m</td> <td>Butaan ±7.000 ppm.m @ 42.000 ppm.m</td> </tr> <tr> <td>Pentaan ±2.200 ppm.m</td> <td>Pentaan ±5.500 ppm.m @ 33.000 ppm.m</td> </tr> <tr> <td>Hexaan ±2.000 ppm.m</td> <td>Hexaan ±5.000 ppm.m @ 30.000 ppm.m</td> </tr> <tr> <td>Ethyleen ±4.600 ppm.m</td> <td>Ethyleen ±11.500 ppm.m @ 69.000 ppm.m</td> </tr> <tr> <td>Propyleen ±4.000 ppm.m</td> <td>Propyleen ±10.000 ppm.m @ 60.000 ppm.m</td> </tr> </table>	<u>±0,2 LEL.m @ nul;</u> <u>(en gelijkwaardige ppm.m)</u>	<u>±0,5 LEL.m @ 3LEL.m;</u> <u>(en gelijkwaardige ppm.m)</u>	Methaan ±8.800 ppm.m	Methaan ±22.000 ppm.m @ 132.000 ppm.m	Ethaan ±4.800 ppm.m	Ethaan ±12.000 ppm.m @ 72.000 ppm.m	Propaan ±3.400 ppm.m	Propaan ±8.500 ppm.m @ 51.000 ppm.m	Butaan ±2.800 ppm.m	Butaan ±7.000 ppm.m @ 42.000 ppm.m	Pentaan ±2.200 ppm.m	Pentaan ±5.500 ppm.m @ 33.000 ppm.m	Hexaan ±2.000 ppm.m	Hexaan ±5.000 ppm.m @ 30.000 ppm.m	Ethyleen ±4.600 ppm.m	Ethyleen ±11.500 ppm.m @ 69.000 ppm.m	Propyleen ±4.000 ppm.m	Propyleen ±10.000 ppm.m @ 60.000 ppm.m
<u>±0,2 LEL.m @ nul;</u> <u>(en gelijkwaardige ppm.m)</u>	<u>±0,5 LEL.m @ 3LEL.m;</u> <u>(en gelijkwaardige ppm.m)</u>																		
Methaan ±8.800 ppm.m	Methaan ±22.000 ppm.m @ 132.000 ppm.m																		
Ethaan ±4.800 ppm.m	Ethaan ±12.000 ppm.m @ 72.000 ppm.m																		
Propaan ±3.400 ppm.m	Propaan ±8.500 ppm.m @ 51.000 ppm.m																		
Butaan ±2.800 ppm.m	Butaan ±7.000 ppm.m @ 42.000 ppm.m																		
Pentaan ±2.200 ppm.m	Pentaan ±5.500 ppm.m @ 33.000 ppm.m																		
Hexaan ±2.000 ppm.m	Hexaan ±5.000 ppm.m @ 30.000 ppm.m																		
Ethyleen ±4.600 ppm.m	Ethyleen ±11.500 ppm.m @ 69.000 ppm.m																		
Propyleen ±4.000 ppm.m	Propyleen ±10.000 ppm.m @ 60.000 ppm.m																		
Opwarmingstijd	Minder dan 5 minuten (operationeel), minder dan 1 uur (volledig gestabiliseerd)																		
Interne batterij	TLH-2450, levensduur van 10 jaar (alleen vervangen tijdens geautoriseerde servicebeurt)																		
Gewicht	Searchline Excel Plus: Rx 6,1 kg (13,4 lbs), Tx 6,0 kg (13,2 lbs) Universele montagebeugel: 3,1 kg (6,9 lbs) roestvrij staal Adapter voor montageplaat: 3,71 kg (8,18 lbs) roestvrij staal																		
Afmetingen	Searchline Excel Plus-zender en -ontvanger: 103 mm dia x 325 mm x 180 mm (4,06" dia x 12,8" x 7,09") Universele montagebeugel: 165 mm x 165 mm x 130 mm (6,5" x 6,5" x 5,12") Adapter voor montageplaat: 210 mm x 210 mm x 127 mm (8,23" x 8,23" x 5")																		

SPECIFICATIES

Lekkagebescherming	<p>IP 66/67 (Type 4X, in overeenstemming met NEMA 250)^{1,2}</p> <p>¹ IP- en/of corrosieweerstandsclassificaties verwijzen naar de bescherming van de instrumentbehuizing. Ze impliceren niet dat het instrument gas zal detecteren tijdens en onmiddellijk na blootstelling aan die omstandigheden</p> <p>² Raadpleeg Onderhoud in de technische handleiding voor aanbevelingen en onderhoudsvereisten met betrekking tot overstromingen en overstromingen.</p> <p>Weerstand tegen zoutnevel en zwavelhoudende atmosfeer (15-60 minuten blootstelling aan zoute lucht/nevel; 15-60 minuten aan zwavelhoudende atmosfeer)</p>
Accessoires	<p>2331B1020 Grote verstelbare montagebeugel</p> <p>2017B0113 Zonnewering van roestvrij staal</p> <p>2017B0299 Uitlijningsbereik</p> <p>2017B0218 Functionele testfilters</p> <p>Functionele uitbreiding testfilters</p> <p>2017B0185 Testcel voor vergassing</p> <p>Mobiele telefoon voor gevaarlijke omgevingen</p> <p>Honeywell Fixed Platform App¹</p> <p>¹ getest met Ecom Smart EXO2 mobiele telefoon. Andere telefoons en tablets met Android 5.1 of hoger werken mogelijk, maar Honeywell kan geen volledige functionaliteit garanderen.</p>
Reserveonderdelen	<p>2331B1100 Reserveplaat universele montagebeugel</p> <p>2017B0112 Reserve standaard zonnewering (kunststof)</p> <p>2331B1150 Reserveset aansluitblokken (5 stuks)</p> <p>2331B1160 Reserveset antenne-afdekkingen (5 stuks)</p>
Naleving van standaarden	<p>Belangrijkste goedkeuringen:</p> <p>EN 50270: (EMC)</p> <p>IEC/EN 61000-6-4; radioapparatuurrichtlijn 2014/53/EU</p> <p>IEC / EN / UL / CSA 61010 (elektrische veiligheid)</p> <p>FCC / IC</p> <p>RoHS, China RoHS</p>
Veiligheidsgoedkeuringen	<p>cULus:</p> <p>Cl. I, Div.1, Gr. B,C,D, T4 (Ta -55°C to +75°C)</p> <p>Cl. II, Div.1, Gr. E,F,G, T4 (Ta -55°C to +55°C)</p> <p>Cl. III</p> <p>Cl. I, Zn. 1 AEx db ia op is IIC T4 Gb (Ta -55°C to +75°C)</p> <p>Cl. I, Zn. 1 AEx db eb ia op is IIC T4 Gb (Ta -55°C to +75°C)</p> <p>Zn. 21 AEx ia op is tb IIIC T100°C Db (Ta -55°C to +55°C)</p> <p>Ex db ia op is IIC T4 Gb X (Ta -55°C to +75°C)</p> <p>Ex db eb ia op is IIC T4 Gb X (Ta -55°C to +75°C)</p> <p>Ex ia op is tb IIIC T100°C Db X (Ta -55°C to +55°C)</p> <p>Um = 250 Vrms</p> <p>DEMKO 20 ATEX 2281X / IECEx UL 20.0009X / UL21UKEX2047X</p> <p>(Ex d install) Ex db ia op is IIC T4 Gb (Ta -55°C to +75°C) or</p> <p>(Ex de install) Ex db eb ia op is IIC T4 Gb (Ta -55°C to +75°C)</p> <p>Ex ia op is tb IIIC T100°C Db (Ta -55°C to +75°C)</p> <p>Um = 250 Vrms</p> <p>Prestatiegoedkeuringen</p> <p>FM 60079-29-4 /UL 60079-29-4</p> <p>Functionele veiligheid (SIL)</p> <p>SIL 2 gecertificeerd door TÜV (SÜD) volgens EN61508</p> <p>Kerngoedkeuringen</p> <p>EN 50270: (EMC) IEC / EN 61000-6-4; Richtlijn radioapparatuur 2014/53 / EU;</p> <p>IEC/EN/UL/CSA 61010 (elektrische veiligheid); FCC / IC; RoHS, China RoHS</p>

GARANTIE

Honeywell Analytics biedt gedurende 5 jaar garantie op de Searchline Excel Plus OPFGD-zender en -ontvanger tegen defecte onderdelen en vakmanschap.

Deze garantie dekt geen verbruiksartikelen, batterijen, zekeringen, normale slijtage of schade veroorzaakt door een ongeluk, misbruik, onjuiste installatie, ongeoorloofd gebruik, modificatie of reparatie, omgevingsmilieu, vergiften, verontreinigingen of abnormale bedrijfsomstandigheden.

Deze garantie is niet van toepassing op sensoren of componenten die onder afzonderlijke garanties vallen, of op kabels en componenten van derden.

Honeywell Analytics is in geen geval aansprakelijk voor enige schade of letsel van welke aard of soort dan ook, ongeacht de oorzaak, die het gevolg is van onjuiste behandeling of onjuist gebruik van deze apparatuur.

Honeywell Analytics is in geen geval aansprakelijk voor enige storing of schade aan apparatuur, inclusief (maar niet beperkt tot) incidentele, directe, indirecte, speciale en gevolgschade, schade wegens gederfde bedrijfswinsten, bedrijfsonderbreking, verlies van bedrijfsinformatie of andere geldelijke schade als gevolg van onjuiste installatie of onjuist gebruik van deze apparatuur.

Elke claim onder de Honeywell Analytics-productgarantie moet binnen de garantieperiode worden ingediend en zo snel als redelijkerwijs mogelijk is nadat een defect is ontdekt. Neem contact op met uw plaatselijke Honeywell Analytics-servicevertegenwoordiger om uw claim te registreren.

Dit is een samenvatting. Raadpleeg voor de volledige garantievoorwaarden de **General Statement of Limited Product Warranty (Algemene verklaring van beperkte productgarantie) van Honeywell**, die op aanvraag verkrijgbaar is.

OPMERKING:

Bewaar het registratieblad veilig voor toekomstig gebruik.

Searchline Excel™ Plus è una terza generazione di rilevatori di idrocarburi gassosi infiammabili a percorso aperto (OPFGD) progettati per rilevare e avvisare della presenza di una gamma di idrocarburi gassosi infiammabili. Searchline Excel Plus è un rilevatore OPFGD avanzato per applicazioni di sicurezza con copertura da 2 m a 120 m (da 6 a 393 piedi). Il rilevatore di idrocarburi gassosi infiammabili Searchline Excel Plus è costituito da una coppia collaborativa trasmettitore/ricevitore che rileva la presenza di una gamma di idrocarburi gassosi infiammabili nella linea che unisce la coppia. Searchline Excel Plus offre un tempo di attività imbattibile con un rilevamento affidabile nelle condizioni più difficili, che penetra anche la nebbia più fitta. Viene fornito con supporti e parasole come sistema completo ed è supportato da accessori di allineamento e test.

Searchline Excel Plus fornisce di serie l'indicazione di stato a LED locale e uscite da 4-20 mA con HART® e Modbus®. Ha un'interfaccia Bluetooth® per la configurazione e la manutenzione mediante l'app Honeywell Fixed Platform su un dispositivo Bluetooth adatto.

Searchline Excel Plus possiede le certificazioni ATEX e IECEx per l'uso in aree pericolose di tipo 1 (gas) o 21 (polvere), oltre alla certificazione cULus per l'uso in luoghi di classe I Divisione 1, Classe II Divisione 1 o Classe III Divisione 1.

Searchline Excel Plus è disponibile in acciaio inox verniciato e dispone di due ingressi per cavi per un facile cablaggio con opzioni NPT M25 o 3/4".

AVVERTENZA

1. Il rilevatore di idrocarburi gassosi infiammabili a percorso aperto Searchline Excel Plus è certificato e destinato all'uso in aree potenzialmente pericolose. L'installazione, il funzionamento e la manutenzione dello strumento devono soddisfare i requisiti di sicurezza e funzionamento nelle aree pericolose.
2. L'installazione deve essere conforme alle norme riconosciute dell'autorità competente del Paese interessato. Per l'Europa, vedere EN 60079-14 ed EN 60079-29-2.
3. Per gli impianti nel Regno Unito, osservare rigorosamente il codice di condotta SELEZIONE, INSTALLAZIONE E MANUTENZIONE DEGLI APPARECCHI ELETTRICI DA UTILIZZARE IN ATMOSFERE POTENZIALMENTE ESPLOSIVE. Le raccomandazioni generali sono contenute in BS EN 60079-14 ed IEC 60079-14. Fare riferimento a BS EN 60079-29-2 ed IEC 60079-29-2 nel Regno Unito o alle normative locali o nazionali appropriate.
4. Per gli impianti in Nord America, osservare rigorosamente il codice elettrico nazionale (NFPA 70) o le versioni successive.
5. I trasmettitori e i ricevitori del rilevatore di idrocarburi gassosi infiammabili a percorso aperto Searchline Excel Plus devono essere correttamente messi a terra per proteggere dalle scosse elettriche e ridurre al minimo le interferenze elettriche. Per considerazioni sulla progettazione dell'installazione elettrica, fare riferimento al capitolo 6 Installazione elettrica.
6. Gli operatori devono essere pienamente consapevoli delle azioni da intraprendere se la concentrazione di gas supera un livello di allarme.
7. Lo smantellamento o la riparazione dell'apparecchiatura devono essere effettuati solo nell'area sicura.
8. I gas di prova possono essere tossici e/o combustibili. Fare riferimento alle schede di sicurezza dei materiali per le avvertenze appropriate.
9. NON praticare fori in alcun alloggiamento, per non compromettere la protezione contro le esplosioni.
10. Per mantenere la sicurezza elettrica, gli strumenti NON devono essere utilizzati in atmosfere contenenti più del 21% di ossigeno.
11. Assicurarsi che i bulloni che fissano gli involucri antincendio siano completamente serrati. I bulloni di fissaggio utilizzati sono realizzati con un grado di acciaio speciale e certificato. Montare a questo scopo solo i bulloni forniti da Honeywell Analytics.
12. NON aprire l'involucro in presenza di un'atmosfera esplosiva.
13. L'unità di trasmissione contiene alta tensione quando è operativa. Questa tensione viene scaricata quando l'unità viene rimossa dal suo involucro.
14. Il condotto e i pressacavi montati sul trasmettitore e ricevitore Searchline Excel Plus NON devono essere modificati. Tuttavia, se si rende necessario apportare modifiche, devono rispettare i codici di condotta nazionali pertinenti.
15. L'irraggiamento e la potenza emessi dai trasmettitori Searchline Excel Plus sono inferiori rispettivamente a 5 mW/mm² e 15 mW/mm². Questo significa che il prodotto è sicuro per gli occhi.

AVVERTENZA

16. L'apparecchiatura NON è destinata ad essere montata su superfici che possono fungere da fonti di riscaldamento o raffreddamento.
17. NON azionare gli strumenti al di fuori del campo di temperatura indicato nella sezione Caratteristiche tecniche.
18. NON aprire gli involucri anteriori. In questo modo, la garanzia viene invalidata. Gli involucri anteriori possono essere aperti solo per la riparazione consigliata da parte di una persona autorizzata e qualificata.
19. NON alterare o modificare la struttura del prodotto, in quanto i requisiti essenziali di sicurezza e certificazione possono essere invalidati.
20. L'installazione, la configurazione e la manutenzione devono essere effettuate solo da personale addestrato. Fare riferimento al manuale in ogni momento.
21. L'accesso all'interno del prodotto, quando si svolge qualsiasi lavoro, deve essere effettuato solo da personale addestrato.
22. La copertura di trasporto in plastica fornita deve essere sostituita con chiusure adeguatamente certificate (come premistoppa o tappi) prima della messa in servizio. In caso di mancata applicazione, si crea una potenziale fonte di accensione. Di serie viene fornito un tappo certificato.
23. NON fare affidamento sull'indicatore visivo locale per scopi relativi alla sicurezza.

ATTENZIONE

1. Un dispositivo mobile con l'app Honeywell Fixed Platform installata è un prerequisito per la regolazione delle impostazioni del rilevatore effettuata tramite la connessione Bluetooth.
2. La messa in servizio o il test di prova di Searchline Excel Plus non è completo fino a quando l'unità non viene testata per verificare che funzioni in base alle sue caratteristiche tecniche.

NOTA:

Se l'ultima connessione e sincronizzazione tra l'app Honeywell Fixed Platform e il server è stata stabilita **più di 1 anno prima**, nell'app verrà visualizzato un messaggio di avviso con la richiesta di stabilire una connessione Internet e rinnovare il certificato di sicurezza. Ciò NON influirà sul funzionamento dello strumento.

CONTENUTO DELLA CONFEZIONE

- 1 Ricevitore Searchline Excel Plus (scatola n. 1)
- 1 Trasmettitore Searchline Excel Plus (scatola n. 2)
- 1 Staffa di montaggio universale
- 1 Parasole in plastica (in acciaio inox come opzione)
- 1 Copertura dell'antenna
- 1 Chiave Allen (esagonale), dimensione 10
- 1 Chiave Allen (esagonale), dimensione 8
- 1 Chiave Allen (esagonale), dimensione 5
- 1 Chiave Allen (esagonale), dimensione 1.5
- 1 Scheda di registrazione
- 1 Guida di avvio rapido (questo documento)

INSTALLAZIONE

ATTENZIONE

1. Controllare la confezione per cercare la presenza di eventuali danni prima dell'apertura. Se la confezione mostra segni di lacerazione rottura o altri danni, informare immediatamente la compagnia di trasporto e il fornitore. Documentare il danno in modo appropriato (ad esempio, fotografie).
2. Aprire con attenzione la confezione per evitare di danneggiare il contenuto.
3. Esaminare il ricevitore e il trasmettitore Searchline Excel Plus e il supporto e il parasole per verificare la presenza di danni. Se si rileva un articolo danneggiato in qualsiasi maniera, informare immediatamente la compagnia di trasporto e il fornitore. Documentare il danno in modo appropriato (ad esempio, fotografie).
4. In caso di danno:
 - a) Lasciare gli articoli nella confezione originale
 - b) Non tentare di riparare o utilizzare il rilevatore fino a quando la richiesta di risarcimento non è stata risolta con il fornitore.
5. L'installazione, la configurazione e la manutenzione devono essere effettuate solo da personale addestrato e autorizzato.
6. NON aprire l'involucro anteriore. La garanzia di un'unità il cui involucro anteriore è stato aperto è invalidata. Gli involucri anteriori possono essere aperti solo per la riparazione consigliata da parte di una persona autorizzata e qualificata.
7. NON modificare l'involucro anteriore o i componenti per non compromettere la certificazione di area pericolosa e invalidare la garanzia. Gli involucri anteriori possono essere aperti solo per la riparazione consigliata da parte di una persona autorizzata e qualificata.
8. NON modificare in alcun modo la strutture del rilevatore per non invalidare la garanzia.
9. Aprire e chiudere il coperchio del vano del cablaggio con cura per evitare deformazioni.
10. L'installazione, la configurazione e la manutenzione devono essere effettuate solo da personale addestrato e autorizzato.
11. Evitare l'ingresso di acqua e polvere quando si apre il vano del cablaggio per proteggere i contatti elettronici non schermati.
12. Fissare il rilevatore quando si allentano i bulloni della staffa. Il rilascio involontario può causare lesioni.
13. Controllare le superfici di accoppiamento prima del montaggio (filettature, O-ring). Assicurarsi che siano pulite e prive di contaminanti.
14. Controllare gli O-ring prima del montaggio, sostituirli con parti originali se danneggiati.
15. Searchline Excel Plus viene fornito senza pressacavi. Assicurarsi che le filettature degli ingressi dei cavi siano sigillate con un tappo appropriato per eliminare infiltrazioni di acqua e danni alla filettatura. Al momento dell'installazione, i tappi di trasporto per gli ingressi dei cavi devono essere rimossi e sostituiti con pressacavi, adattatori di filettatura o tappi di chiusura adatti per soddisfare i requisiti locali relativi alle aree pericolose.
16. Verificare l'idoneità del tappo di chiusura per il suo uso finale in loco; assicurarsi che soddisfi le normative locali e nazionali.
17. Togliere l'alimentazione dagli strumenti di Searchline Excel Plus durante l'installazione del cablaggio. NON installare fili o configurare il cablaggio con l'alimentazione applicata.

ATTENZIONE

Se il circuito di corrente 4–20 mA non viene utilizzato, è necessario collegare un ponticello tra l'uscita 4–20 mA+ (terminale 5) e 24 V CC+ (terminale 8) e una resistenza di carico tra l'uscita 4–20 mA- (terminale 6) e 0 V CC (terminale 9). Si consiglia di utilizzare un resistore da 470 Ohm, 1/4 W (da 250 a 400 Ω se è richiesto HART). Con il circuito di corrente 4–20 mA configurato in questo modo la struttura HART può ancora essere utilizzata con un'unità portatile HART utilizzando i terminali 20 e 21 all'interno del vano cablaggio.

Searchline Excel Plus viene normalmente montato in alto, in genere su un'asta, utilizzando stanghe a Ue coprendo l'area da proteggere. La staffa di montaggio universale in dotazione consente il montaggio su piastra, asta o un'altra infrastruttura dell'impianto. Tutti i bulloni vengono trattenuti per evitare perdite durante l'installazione.

Searchline Excel Plus ha due ingressi dei cavi per un facile cablaggio con opzioni NPT M25 o 3/4". I fili vengono collegati ai connettori dei terminali secondo lo schema di cablaggio. I fili di ricambio devono essere correttamente collegati. Il cablaggio deve essere conforme alle normative locali, nazionali e aziendali. Evitare fili esposti o nudi.

Fare riferimento al **Manuale tecnico** per istruzioni sull'installazione meccanica ed elettrica.

È possibile scaricare il manuale tecnico da www.sps.honeywell.com.

MESSA IN SERVIZIO

ATTENZIONE

1. Un dispositivo mobile con l'app Honeywell Fixed Platform installata è un prerequisito per la regolazione delle impostazioni del rilevatore effettuata tramite la connessione Bluetooth.
2. La messa in servizio o il test di prova di Searchline Excel Plus non è completo fino a quando l'unità non viene testata per verificare che funzioni in base alle sue caratteristiche tecniche.

1. Verificare che le unità Searchline Excel Plus siano montate e cablate correttamente. Per istruzioni, fare riferimento alla sezione **Installazione** del **Manuale tecnico**.
2. Controllare che le unità Searchline Excel Plus siano allineate correttamente a livello ottico. Per istruzioni, fare riferimento alla sezione **Allineamento** del **Manuale tecnico**.
3. Connettersi **all'app Honeywell Fixed Platform** tramite Bluetooth.
4. Accendere le unità trasmettitore e ricevitore di Searchline Excel Plus.
5. Eseguire il controllo funzionale e il test di integrità del loop da 4a20 mA. Per istruzioni, fare riferimento alla sezione **Messa in servizio** del **Manuale tecnico**.
6. Verificare che le unità Searchline Excel Plus siano configurate come consigliato dal documento di sopralluogo pertinente.
7. Se necessario, regolare le impostazioni del rilevatore utilizzando **l'app Honeywell Fixed Platform**.
8. Verificare che le uscite di sicurezza di Searchline Excel Plus funzionino correttamente. Per istruzioni, fare riferimento alla sezione **Manutenzione** del **Manuale tecnico**.

È possibile scaricare il manuale tecnico da www.sps.honeywell.com

OPZIONI CONFIGURABILI DALL'UTENTE

L'**app Honeywell Fixed Platform** consente di regolare le seguenti opzioni configurabili per l'utente:

- | | |
|----------------------------------|---------------------------------------|
| 1. ID rilevatore | 13. Intensità LED |
| 2. Modalità di funzionamento | 14. Periodo di timeout del blocco |
| 3. Livello di blocco | 15. Imposta codice di accesso |
| 4. Setpoint allarme 1 - Modifica | 16. Livello normale |
| 5. Setpoint allarme 2 - Aggiungi | 17. Blocco allarme |
| 6. Livello di avvertenza | 18. Modalità corrente del loop |
| 7. Livello di errore | 19. Indirizzo di polling HART |
| 8. Livello oltre intervallo | 20. Relè di controllo |
| 9. Livello di allarme 1 | 21. Relè allarme 1 |
| 10. Livello di allarme 2 | 22. Relè allarme 2 |
| 11. Intervallo test di prova | 23. Unità di uscita di lettura gas |
| 12. Modalità LED | 24. Tempo di risposta (1,2,3 secondi) |

SEGNALAZIONE STATO

Searchline Excel Plus è dotato di un indicatore di stato LED con elevata visibilità.

Per ulteriori informazioni, fare riferimento alla sezione **Funzionamento** del **Manuale tecnico**.

AVVERTENZA

Il comportamento dell'indicatore di stato LED è configurabile. Se l'indicatore di stato LED è configurato in modo diverso dall'impostazione predefinita, può indicare stati diversi dalle altre uscite.

Funzionamento senza Bluetooth	Colore	Schema
Guasto	Giallo lampeggiante	Valore predefinito
Bloccato	Giallo fisso	Valore predefinito
Avvertenza	Giallo lampeggiante e verde alternati	Valore predefinito
Normale	Verde fisso	Valore predefinito
Normale	Verde lampeggiante	Opzione
Normale	Nessuno	Opzione
Allarme	Rosso lampeggiante	Valore predefinito
Oltre intervallo	Rosso lampeggiante	Valore predefinito

Funzionamento con Bluetooth	Colore	Schema
Guasto	Giallo lampeggiante	Valore predefinito
Bloccato	Giallo fisso	Valore predefinito
Avvertenza	Giallo lampeggiante e verde alternati	Valore predefinito
Normale	Blu fisso	Valore predefinito
Normale	Blu lampeggiante	Opzione
Allarme	Rosso lampeggiante	Valore predefinito
Oltre intervallo	Rosso lampeggiante	Valore predefinito
Connessione in corso	Blu lampeggiante	Valore predefinito
Connesso	Blu fisso	Valore predefinito
Avvertenza	Blu alternato	Valore predefinito

Segnalazione stato loop mA

Modalità	Valore predefinito (mA)		Valore minimo (mA)	Valore massimo (mA)
	Modalità discreta	Modalità proporzionale		
Guasto	1		0	3.6
Bloccato	2		1	3.6
Avvertenza	3		1	4
Normale	4	Proporzionale alla concentrazione del gas	4	20
Allarme	20	Non disponibile	4	20
Oltre intervallo	21		20	22

TEST DI PROVA PERIODICO

La funzionalità Searchline Excel Plus può essere verificata utilizzando i filtri di prova funzionali (opzionali) o in combinazione con l'app Honeywell Fixed Platform.

Per istruzioni su come eseguire test di base e avanzati, fare riferimento alla sezione **Manutenzione** del **Manuale tecnico**.

È possibile scaricare il Manuale tecnico da www.sps.honeywell.com.

CARATTERISTICHE TECNICHE

Gas disponibili (Gas approvati per le prestazioni ^{1,2})	Searchline Excel Plus & Edge risponderà a un'ampia gamma di idrocarburi gassosi*: Metano ^{1,2} , Etano ¹ , Propano ^{1,2} , Butano ¹ , Pentano ¹ , Esano, Etilene ¹ , Propilene ¹ , ¹ Prestazioni FM Approved; ² Approvato da DNV La calibrazione predefinita è su idrocarburo universale**	
Gas opzionali	La calibrazione per altri gas è facoltativa e deve essere consultata con Honeywell.	
Intervallo	Metano 0-5 LEL-m / 0-220.000 ppm-m Etano 0-5 LEL-m / 0-120.000 ppm-m Propano 0-5 LEL-m / 0-85.000 ppm-m Butano 0-5 LEL-m / 0-70.000 ppm-m Pentano 0-5 LEL-m / 0-55.000 ppm-m Esano 0-5 LEL-m / 0-50.000 ppm-m Etilene 0-5 LEL-m / 0-115.000 ppm-m Propilene 0-5 LEL-m / 0-100.000 ppm-m	
Impostazioni di allarme consigliate	<u>Bassa 1 LEL-m:</u> (ed equivalente ppm-m) Metano 44.000 ppm-m Etano 24.000 ppm-m Propano 17.000 ppm-m Butano 14.000 ppm-m Pentano 11.000 ppm-m Esano 10.000 ppm-m Etilene 23.000 ppm-m Propilene 20.000 ppm-m	<u>Alta 3 LEL-m:</u> (ed equivalente ppm-m) Metano 132.000 ppm-m Etano 72.000 ppm-m Propano 51.000 ppm-m Butano 42.000 ppm-m Pentano 33.000 ppm-m Esano 30.000 ppm-m Etilene 69.000 ppm-m Propilene 60.000 ppm-m
Impostazione minima consigliata dell'allarme	<u>0,5 LEL-m:</u> (ed equivalente ppm-m) Metano 22.000 ppm-m Etano 12.000 ppm-m Propano 8.500 ppm-m Butano 7.000 ppm-m Pentano 5.500 ppm-m Esano 5.000 ppm-m Etilene 11.500 ppm-m Propilene 10.000 ppm-m	
Lunghezza percorso	Searchline Excel Plus: Da 2 m a 120 m (da 6 piedi a 393 piedi)	
Velocità di risposta	T90 Meno di 3 secondi	
Segnale d'uscita analogica	4-20 mA Funzionamento normale, 1 mA Guasto*, 2 mA Bloccato, 3 mA Avvertenza, 21 mA Oltre intervallo, *Searchline Excel Plus indicherà Guasto dopo 30 secondi senza segnale. Questo valore è programmabile. Per rispettare le prestazioni FM Approved, il valore massimo del Tempo di blocco è 200 secondi.	
Temperatura ambiente di esercizio	Da -55 °C a +75 °C (da -67 °F a +167 °F); DNVGL-CG-0339 Classe posizione B	
Intervallo di temperatura di conservazione	Da -55 °C a +75 °C (da -67 °F a +167 °F); DNVGL-CG-0339 Classe posizione B	
Alimentatore	24 V CC nominale (da 18 V CC a 32 V CC)	

* Searchline Excel Plus e Edge rispondono alla maggior parte dei gas idrocarburi poiché la maggior parte assorbe gli IR nelle lunghezze d'onda richieste.

** La calibrazione a Universal Hydrocarbon copre una gamma di gas specifici ma diversi all'interno di una calibrazione che soddisfa i requisiti dello standard di prestazione.

CARATTERISTICHE TECNICHE

Consumo energetico (media RMS)	Trasmittitore , per temperatura ambiente di esercizio: Da -55 °C (-67 °F) a -30 °C (-22 °F) 11,8 W Da -30 °C (-22 °F) a +30 °C (+86 °F) 5,6 W superiore a +30 °C (+86 °F) 3,8 W Ricevitore , per temperatura ambiente di esercizio: Da -55 °C (-67 °F) a -30 °C (-22 °F) 7,4 W Da -30 °C (-22 °F) a +30 °C (+86 °F) 4,8 W superiore a +30 °C (+86 °F) 3,0 W Vedere Installazione elettrica nel Manuale tecnico per tutti i dettagli.	
Consumo energetico per avvio a freddo / riscaldamento	Il riscaldamento dura ca. 20 min sia per il trasmettitore che per il ricevitore Trasmittitore: 17 W Ricevitore: 10 W per temperatura ambiente di esercizio superiore a -30 °C (-22 °F) 15 W per temperatura ambiente di esercizio inferiore a -30 °C (-22 °F) (riscaldatore attivo)	
Segnali in uscita	4–20 mA con HART, relè guasto, relè Allarme 1, relè Allarme 2, Modbus, Bluetooth® (portata fino a 20 m (66 piedi), a seconda del dispositivo mobile e delle condizioni ambientali)	
Uscite a relè	Massimo 32 V CC/CA, carico resistivo max 2 A	
Corrente di spunto	Trasmittitore: 0,5 A per meno di 20 ms Ricevitore: 0,3 A per meno di 20 ms	
Umidità	0–99 % UR senza condensa, DNVGL-CG-0339 Classe posizione B	
Pressione (Pressure)	91,5–105,5 kPa (915–1055 mBar, non compensato)	
Ripetibilità	<u>±0,4 LEL-m:</u> (ed equivalente ppm-m) Metano ±17.600 ppm-m Etano ±9.600 ppm-m Propano ±6.800 ppm-m Butano ±5.600 ppm-m Pentano ±4.400 ppm-m Esano ±4.000 ppm-m Etilene ±9.200 ppm-m Propilene ±8.000 ppm-m	
Deriva temperatura Da -55°C a 75°C Da -67 °F a 167 °F	<u>±0,2 LEL-m a zero:</u> (ed equivalente ppm-m) Metano ±8.800 ppm-m Etano ±4.800 ppm-m Propano ±3.400 ppm-m Butano ±2.800 ppm-m Pentano ±2.200 ppm-m Esano ±2.000 ppm-m Etilene ±4.600 ppm-m Propilene ±4.000 ppm-m	<u>±0,5 LEL-m a 3 LEL-m:</u> (ed equivalente ppm-m) Metano ±22.000 ppm-m a 132.000 ppm-m Etano ±12.000 ppm-m a 72.000 ppm-m Propano ±8.500 ppm-m a 51.000 ppm-m Butano ±7.000 ppm-m a 42.000 ppm-m Pentano ±5.500 ppm-m a 33.000 ppm-m Esano ±5.000 ppm-m a 30.000 ppm-m Etilene ±11.500 ppm-m a 69.000 ppm-m Propilene ±10.000 ppm-m a 60.000 ppm-m
Tempo di riscaldamento	Meno di 5 minuti (operativo), meno di 1 ora (completamente stabilizzato)	
Cella batteria interna	TLH-2450, durata di 10 anni (sostituita solo da un servizio di assistenza autorizzato)	
Peso	Searchline Excel Plus: Rx 6,1 kg (13,4 lbs), Tx 6,0 kg (13,2 lbs) Staffa di montaggio universale: 3,1 kg (6,9 lbs) in acciaio inox Adattatore piastra di montaggio: 3,71 kg (8,18 lbs) in acciaio inox	
Dimensioni	Ricevitore e trasmettitore Searchline Excel Plus: diametro 103 mm x 325 mm x 180 mm (diametro 4,06" x 12,8" x 7,09") Staffa di montaggio universale: 165 mm x 165 mm x 130 mm (6,5" x 6,5" x 5,12") Adattatore piastra di montaggio: 210 mm x 210 mm x 127 mm (8,23" x 8,23" x 5")	

CARATTERISTICHE TECNICHE

<p>Protezione dell'ingresso</p>	<p>IP 66 / 67 (Tipo 4X, in conformità con NEMA 250)^{1,2}</p> <p>¹ I valori IP e/o di resistenza alla corrosione si riferiscono alla protezione dell'involucro dello strumento. Non implicano che lo strumento rileverà il gas durante e immediatamente dopo l'esposizione a tali condizioni</p> <p>² Fare riferimento a Manutenzione nel Manuale tecnico per consigli e requisiti di manutenzione relativi a diluvio e allagamento.</p> <p>Resistenza alla nebbia salina e all'atmosfera solforica (esposizione di 15-60 minuti all'aria/nebbia salina; 15-60 minuti ad atmosfera solforica)</p>
<p>Accessori</p>	<p>2331B1020 Staffa di montaggio grande regolabile 2017B0113 Parasole in acciaio inox 2017B0299 Mirino di allineamento 2017B0218 Filtri di prova funzionali Estensore filtri di prova funzionale 2017B0185 Cella di test del gas Telefono cellulare per area pericolose App Honeywell Fixed Platform¹</p> <p>¹ testato con il cellulare Ecom Smart EX02. Altri telefoni e tablet con Android 5.1 o versioni successive potrebbero non funzionare, ma Honeywell non garantisce la piena funzionalità.</p>
<p>Ricambi</p>	<p>2331B1100 Staffa di montaggio universale di riserva 2017B0112 Parasole standard di ricambio (plastica) 2331B1150 Set di morsettiere di ricambio (confezione da 5) 2331B1160 Coperchio antenna di ricambio (confezione da 5)</p>
<p>Conformità agli standard</p>	<p>Approvazioni principali: EN 50270: (EMC) IEC/EN 61000-6-4; Direttiva sulle apparecchiature radio 2014/53/UE IEC/EN/UL/CSA 61010 (Sicurezza elettrica) FCC / IC RoHS, China RoHS</p>
<p>Approvazioni di sicurezza</p>	<p>cULus: Cl. I, Div.1, Gr. B,C,D, T4 (Ta -55°C to +75°C) Cl. II, Div.1, Gr. E,F,G, T4 (Ta -55°C to +55°C) Cl. III Cl. I, Zn. 1 AEx db ia op is IIC T4 Gb (Ta -55°C to +75°C) Cl. I, Zn. 1 AEx db eb ia op is IIC T4 Gb (Ta -55°C to +75°C) Zn. 21 AEx ia op is tb IIIC T100°C Db (Ta -55°C to +55°C) Ex db ia op is IIC T4 Gb X (Ta -55°C to +75°C) Ex db eb ia op is IIC T4 Gb X (Ta -55°C to +75°C) Ex ia op is tb IIIC T100°C Db X (Ta -55°C to +55°C) Um = 250 Vrms</p> <p>DEMKO 20 ATEX 2281X / IECEx UL 20.0009X / UL21UKEX2047X (Ex d install) Ex db ia op is IIC T4 Gb (Ta -55°C to +75°C) or (Ex de install) Ex db eb ia op is IIC T4 Gb (Ta -55°C to +75°C) Ex ia op is tb IIIC T100°C Db (Ta -55°C to +75°C) Um = 250 Vrms</p> <p>Approvazioni delle prestazioni FM 60079-29-4 /UL 60079-29-4</p> <p>Sicurezza funzionale (SIL) Certificato SIL 2 da TÜV (SÜD) secondo EN61508</p> <p>Approvazioni principali EN 50270: (EMC) IEC/EN 61000-6-4; Direttiva sulle apparecchiature radio 2014/53/UE IEC/EN/UL/CSA 61010 (sicurezza elettrica); FCC/IC; RoHS, Cina RoHS</p>

GARANZIA

Honeywell Analytics garantisce il trasmettitore e ricevitore del rilevatore di idrocarburi gassosi infiammabili a percorso aperto Searchline Excel Plus per 5 anni contro difetti di componenti e manodopera.

Questa garanzia non riguarda materiali di consumo, batterie, fusibili, normale usura, né danni causati da incidenti, abuso, installazione non corretta, utilizzo non autorizzato, modifica o riparazione, ambiente, veleni, contaminanti o condizioni di funzionamento anomale.

Questa garanzia non si applica ai sensori o ai componenti coperti da garanzie distinte o a cavi e componenti di terze parti.

In nessun caso Honeywell Analytics sarà ritenuta responsabile per danni o lesioni di qualsiasi natura o tipo, indipendentemente da come sono stati causati, derivanti da una gestione o dall'utilizzo errati di questa apparecchiatura.

In nessun caso Honeywell Analytics sarà ritenuta responsabile per qualsiasi malfunzionamento o danno dell'apparecchiatura, compresi (senza limiti) danni accidentali, diretti, indiretti, speciali e consequenziali, danni per perdita di profitti d'impresa, perdita di informazioni aziendali o altre perdite pecuniarie, risultanti dall'installazione o dall'utilizzo non corretto di questa apparecchiatura.

Qualsiasi richiesta basata sulla garanzia sul prodotto di Honeywell Analytics deve essere effettuata entro il periodo di validità della garanzia e non appena si verifica un difetto. Per registrare la richiesta, contattare il rappresentante locale dell'assistenza di Honeywell Analytics.

Questo è un riepilogo. Per le condizioni di garanzia complete, consultare la ***Dichiarazione generale di Honeywell sulla garanzia limitata sul prodotto***, disponibile a richiesta.

NOTA:

Conservare la scheda di registrazione in sicurezza per riferimento futuro.

Searchline Excel™ Plus es la 3ª generación de detectores de fugas de gas de hidrocarburos inflamables (OPFGD) de vía abierta diseñados para detectar y alertar de la presencia de una gama de gases de hidrocarburos inflamables. Searchline Excel Plus es un detector OPFGD avanzado para aplicaciones de seguridad con una cobertura de 2 a 120 m (de 6 a 393 pies) de alcance. El detector de fugas de gas de hidrocarburos inflamables Searchline Excel Plus está formado por un par de transmisor/receptor cooperativos que detecta la presencia de una serie de gases de hidrocarburos inflamables en la línea que los une. Searchline Excel Plus proporciona un tiempo de actividad imbatible, con una detección sólida en las condiciones más difíciles, penetrando incluso en la niebla más espesa. El sistema completo incluye montajes y protecciones, y va acompañado de accesorios de alineación y prueba.

Searchline Excel Plus proporciona indicación de estado visual local, así como 4–20 mA con salidas HART® y Modbus® de serie. Cuenta con una interfaz Bluetooth® para la configuración y el mantenimiento mediante la aplicación Honeywell Fixed Platform en un dispositivo compatible con Bluetooth adecuado.

Searchline Excel Plus está aprobado por ATEX e IECEx para su uso en áreas peligrosas de la zona 1 (gas) o de la zona 21 (polvo), y también cuenta con la aprobación cULus para su uso en ubicaciones de Clase I División 1, Clase II División 1 o Clase III División 1.

Searchline Excel Plus está disponible en acero inoxidable pintado y tiene dos entradas de cable para facilitar la conexión con las opciones M25 o NPT de 3/4".

⚠ ADVERTENCIA

1. El detector de gas inflamable de vía abierta Searchline Excel Plus está certificado y destinado para el uso en áreas potencialmente peligrosas. La instalación, el funcionamiento y el mantenimiento del equipo deben cumplir los requisitos de seguridad y funcionamiento en áreas peligrosas.
2. La instalación debe cumplir las normas reconocidas por la autoridad competente del país afectado. En Europa, véanse EN 60079-14 y EN 60079-29-2.
3. En el caso de instalaciones en el Reino Unido, debe observarse de forma estricta la hoja de trabajo SELECTION, INSTALLATION AND MAINTENANCE OF ELECTRICAL APPARATUS FOR USE IN POTENTIALLY EXPLOSIVE ATMOSPHERES (SELECCIÓN, INSTALACIÓN Y MANTENIMIENTO DE APARATOS ELÉCTRICOS PARA USO EN ENTORNOS POTENCIALMENTE EXPLOSIVOS). Las recomendaciones generales se ofrecen en BS EN 60079-14 e IEC 60079-14. Consulte la normativa BS EN 60079-29-2 e IEC 60079-29-2 para el Reino Unido o la normativa local o nacional correspondiente.
4. En el caso de las instalaciones en América del Norte, debe observarse el Código Eléctrico Nacional (NFPA 70) o sus ediciones posteriores de forma estricta.
5. Los transmisores y receptores del detector de gas inflamable de vía abierta Searchline Excel Plus deben estar correctamente conectados a tierra para proteger de las descargas y minimizar las interferencias eléctricas. En el capítulo 6 sobre la instalación eléctrica puede consultar las consideraciones de diseño de dicha instalación.
6. Los operadores deben ser plenamente conscientes de las medidas que se deben tomar si la concentración de gas supera el nivel de alarma.
7. El desmantelamiento o la reparación de los equipos solo debe realizarse en la zona segura.
8. Los gases de prueba pueden ser tóxicos o combustibles. Consulte las hojas de seguridad de materiales para ver las advertencias aplicables.
9. NO taladre orificios en ninguna carcasa, ya que esto anulará la protección contra explosiones.
10. Para mantener la seguridad eléctrica, los dispositivos NO deben utilizarse en ambientes que contengan más del 21 % de oxígeno.
11. Asegúrese de que los pernos que fijan las carcasas ignífugas estén completamente apretados. Los pernos de fijación utilizados están fabricados en un grado de acero certificado especial. Para este fin, solo deben instalarse los pernos suministrados por Honeywell Analytics.
12. NO abra la carcasa en presencia de un ambiente explosivo.
13. La unidad transmisora contiene alta tensión cuando está en funcionamiento. Esta se descarga cuando la unidad se extrae de la carcasa.
14. NO se deben modificar los conductos y las conexiones roscadas del transmisor y receptor Searchline Excel Plus. No obstante, si resulta necesario realizar modificaciones, se deben seguir las hojas de trabajo pertinentes de cada país.
15. La irradiancia y potencia emitida por los transmisores Searchline Excel Plus es inferior a 5 mW/mm² y 15 mW/mm² respectivamente. Esto se ha designado como seguro para los ojos.

ADVERTENCIA

16. El equipo NO está destinado a montarse en superficies que puedan actuar como fuentes de calefacción o refrigeración.
17. NO utilice las herramientas fuera del rango de temperatura indicado en la sección Especificación.
18. NO abra las carcasas delanteras. De hacerlo, la garantía perderá su validez. Las carcasas delanteras solo podrán abrirse para que una persona autorizada y cualificada pueda realizar un mantenimiento de reparación.
19. NO modifique ni altere el diseño del producto, ya que los requisitos básicos de seguridad y certificación podrían perder su validez.
20. La instalación, la configuración y el mantenimiento solo deben ser realizados por personal especializado. Consulte el manual en todo momento.
21. El acceso al interior del producto, cuando se lleve a cabo cualquier trabajo, solo debe ser realizado por personal especializado.
22. Antes de la puesta en marcha, la tapa de transporte de plástico suministrada deberá sustituirse por cierres con la debida certificación (como conexiones o tapones de cierre). De no hacerlo, se presenta una fuente potencial de ignición. Se proporciona un tapón de cierre certificado de serie.
23. NO confíe en el indicador visual local para fines relacionados con la seguridad.

PRECAUCION

1. Un dispositivo móvil con la aplicación Honeywell Fixed Platform instalada es un requisito previo para la configuración del detector a través de la conexión Bluetooth.
2. La puesta en marcha o prueba periódica de Searchline Excel Plus no se completa hasta que la unidad se prueba para comprobar que funciona de acuerdo con las especificaciones.

NOTA:

Si la última conexión y sincronización entre la aplicación Honeywell Fixed Platform y el servidor se estableció **hace más de 1 año**, se mostrará un mensaje de precaución en la aplicación con la solicitud de establecer una conexión a Internet y renovar el certificado de seguridad. Esto NO afectará al funcionamiento del dispositivo.

CONTENIDO DE LA CAJA

- 1 receptor Searchline Excel Plus (caja n.º 1)
- 1 transmisor Searchline Excel Plus (caja n.º 2)
- 1 soporte de montaje universal
- 1 protección de plástico (opcional en acero inoxidable)
- 1 cubierta de antena
- 1 llave Allen (hexagonal), tamaño 10
- 1 llave Allen (hexagonal), tamaño 8
- 1 llave Allen (hexagonal), tamaño 5
- 1 llave Allen (hexagonal), tamaño 1.5
- 1 hoja de registro
- 1 Guía de inicio rápido (este documento)

INSTALACIÓN

PRECAUCIÓN

1. Compruebe si el embalaje está dañado antes de abrirlo. Si el embalaje muestra signos de desgarros, rotura u otros daños, informe inmediatamente a la empresa de transporte y al proveedor. Documente los daños de la forma correcta (por ejemplo, con fotografías).
2. Abra el embalaje con cuidado para evitar dañar el contenido.
3. Examine el receptor y el transmisor Searchline Excel Plus y el montaje y la protección en busca de daños. Si encuentra algún elemento que pueda resultar dañado, informe inmediatamente a la empresa de transporte y al proveedor. Documente los daños de la forma correcta (por ejemplo, con fotografías).
4. En caso de daños:
 - a) Deje los artículos dentro del embalaje original
 - b) No intente reparar ni utilizar el detector hasta que la reclamación de daños se haya resuelto con el proveedor.
5. La instalación, la configuración y el mantenimiento solo deben ser realizados por personal especializado y autorizado.
6. NO abra la carcasa delantera. La garantía de una unidad cuya carcasa delantera se ha abierto dejará de ser válida. Las carcasas delanteras solo podrán abrirse para que una persona autorizada y cualificada pueda realizar un mantenimiento de reparación.
7. NO modifique las piezas de la carcasa delantera o de los componentes, ya que comprometerá la certificación de ubicación peligrosa e invalidará la garantía. Las carcasas delanteras solo podrán abrirse para que una persona autorizada y cualificada pueda realizar un mantenimiento de reparación.
8. NO modifique la estructura del detector de ninguna manera, ya que esto invalidará la garantía.
9. Abra y cierre la cubierta del compartimento del cableado con cuidado para evitar la deformación.
10. La instalación, la configuración y el mantenimiento solo deben ser realizados por personal especializado y autorizado.
11. Evite la entrada de agua y polvo al abrir el compartimento de cableado para proteger los contactos electrónicos no blindados.
12. Fije el detector al aflojar los pernos de la abrazadera. Una liberación no deseada podría causar lesiones.
13. Compruebe las superficies de acoplamiento antes del montaje (roscas, juntas tóricas). Asegúrese de que están limpias y sin contaminantes.
14. Compruebe las juntas tóricas antes del montaje. Si están dañadas, sustitúyalas por piezas originales.
15. Searchline Excel Plus no incluye pasacables. Asegúrese de que todas las roscas de entrada de los cables estén selladas con sus tapones para eliminar la entrada de agua y los daños en las roscas. En la instalación, los tapones de transporte para las entradas de cable deben retirarse y sustituirse por los pasacables, adaptadores de rosca o tapones de cierre adecuados, conforme a los requisitos locales para ubicaciones peligrosas.
16. Compruebe la idoneidad del tapón de cierre para su uso final en la instalación y asegúrese de que cumple con las regulaciones locales y nacionales.
17. Corte la alimentación de los dispositivos Searchline Excel Plus cuando instale el cableado. NO instale cables ni configure el cableado con la alimentación aplicada.

PRECAUCIÓN

Si no se utiliza el lazo de corriente de 4–20 mA, debe conectarse un puente entre 4–20 mA+ (terminal 5) y 24 V CC+ (terminal 8) y una resistencia de carga entre 4–20 mA- (terminal 6) y 0 V CC (terminal 9). Se recomienda utilizar una resistencia de 470 Ohm, 1/4 W (250 a 400 s si se requiere). Con el lazo de corriente de 4–20 mA configurado de esta manera, puede seguir utilizándose con una unidad portátil HART utilizando los terminales 20 y 21 dentro del compartimento de cableado.

Lo normal es montar Searchline Excel Plus en altura, habitualmente en un poste, con los pernos en U suministrados y cubriendo el área que hay que proteger. El soporte de montaje universal que se suministra permite el montaje en una placa, un poste u otra infraestructura de la planta. Todos los pernos están sujetos para evitar la pérdida durante la instalación.

Searchline Excel Plus tiene dos entradas de cable para facilitar la conexión con las opciones M25 o NPT de 3/4". Los cables se terminan en los conectores de terminal según el diagrama de conexiones. Los cables de repuesto deben tener la terminación correcta. El cableado debe cumplir las normativas locales, nacionales y de la empresa. Se deben evitar los cables expuestos o descubiertos.

Consulte las instrucciones sobre la instalación mecánica y eléctrica en el **Manual técnico**.

Puede descargar el Manual técnico en www.sps.honeywell.com.

PUESTA EN FUNCIONAMIENTO

PRECAUCIÓN

1. Un dispositivo móvil con la aplicación Honeywell Fixed Platform instalada es un requisito previo para la configuración del detector a través de la conexión Bluetooth.
2. La puesta en marcha o prueba periódica de Searchline Excel Plus no se completa hasta que la unidad se prueba para comprobar que funciona de acuerdo con las especificaciones.

1. Compruebe que las unidades Searchline Excel Plus estén montadas y conectadas correctamente. Consulte las instrucciones en la sección **Instalación** del **Manual técnico**.
2. Compruebe que las unidades Searchline Excel Plus estén bien alineadas ópticamente. Consulte las instrucciones en la sección **Alineación** del **Manual técnico**.
3. Conéctese a la aplicación **Honeywell Fixed Platform** a través de Bluetooth.
4. Encienda las unidades receptoras y transmisoras Searchline Excel Plus.
5. Realice la comprobación funcional y la prueba de integridad del bucle con 4–20 mA. Consulte las instrucciones en la sección **Puesta en funcionamiento** del **Manual técnico**.
6. Compruebe que las unidades Searchline Excel Plus estén configuradas según lo recomendado en el documento del estudio del sitio correspondiente.
7. Si es necesario, ajuste la configuración del detector mediante la aplicación **Honeywell Fixed Platform**.
8. Compruebe que las salidas de seguridad de Searchline Excel Plus funcionen correctamente. Consulte las instrucciones en la sección **Mantenimiento** del **Manual técnico**.

Puede descargar el Manual técnico en www.sps.honeywell.com

OPCIONES CONFIGURABLES POR EL USUARIO

La aplicación **Honeywell Fixed Platform** permite ajustar las siguientes opciones configurables por el usuario:

- | | |
|-----------------------------------|---|
| 1. ID del detector | 13. Intensidad de LED |
| 2. Modo de funcionamiento | 14. Período de tiempo de espera de inhibición |
| 3. Nivel de inhibición | 15. Establecer código de acceso |
| 4. Modo consola 1 – modificar | 16. Nivel normal |
| 5. Modo consola 2 – agregar | 17. Bloqueo de alarma |
| 6. Nivel de advertencia | 18. Modo de corriente de lazo |
| 7. Nivel de fallo | 19. Dirección de sondeo HART |
| 8. Nivel por encima del rango | 20. Relé de fallo |
| 9. Nivel de alarma 1 | 21. Relé de alarma 1 |
| 10. Nivel de alarma 2 | 22. Relé de alarma 2 |
| 11. Intervalo de prueba periódica | 23. Unidad de salida de lectura de gas |
| 12. Modo LED | 24. Tiempo de respuesta (1, 2, 3 segundos) |

SEÑALIZACIÓN DE ESTADO

Searchline Excel Plus cuenta con un indicador de estado LED de alta visibilidad.

Para obtener más información, consulte la sección **Funcionamiento** del **Manual técnico**.

ADVERTENCIA

El comportamiento del indicador de estado LED se puede configurar. Si el indicador de estado LED no se configura con el valor predeterminado, puede indicar estados distintos a otras salidas.

Funcionamiento sin Bluetooth	Color	Esquema
Fallo	Amarillo intermitente	Predeterminado
Inhibición	Amarillo fijo	Predeterminado
Advertencia	Amarillo y verde alternos intermitentes	Predeterminado
Normal	Verde fijo	Predeterminado
Normal	Verde intermitente	Opcional
Normal	Ninguno	Opcional
Alarma	Rojo intermitente	Predeterminado
Por encima del rango	Rojo intermitente	Predeterminado

Funcionamiento con Bluetooth	Color	Esquema
Fallo	Amarillo intermitente	Predeterminado
Inhibición	Amarillo fijo	Predeterminado
Advertencia	Amarillo y verde alternos intermitentes	Predeterminado
Normal	Azul fijo	Predeterminado
Normal	Azul intermitente	Opcional
Alarma	Rojo intermitente	Predeterminado
Por encima del rango	Rojo intermitente	Predeterminado
En proceso de conexión	Azul intermitente	Predeterminado
Conectado	Azul fijo	Predeterminado
Advertencia	Azul alterno	Predeterminado

Señalización de estado de lazo mA

Modo	Valor por defecto (mA)		Valor mínimo (mA)	Valor máximo (mA)
	Modo discreto	Modo proporcional		
Fallo	1		0	3,6
Inhibición	2		1	3,6
Advertencia	3		1	4
Normal	4	Proporcional a la concentración de gas	4	20
Alarma	20	No disponible	4	20
Por encima del rango	21		20	22

PRUEBA PERIÓDICA

La funcionalidad de Searchline Excel Plus se puede comprobar mediante los filtros de prueba funcional (opcionales) o en combinación con la aplicación Honeywell Fixed Platform.

Consulte la sección **Mantenimiento** del **Manual técnico** para obtener instrucciones sobre cómo realizar pruebas básicas y avanzadas.

Puede descargar el Manual técnico en www.sps.honeywell.com.

ESPECIFICACIONES

Gases disponibles (gases de rendimiento aprobados ^{1,2})	Searchline Excel Plus & Edge responderá a una amplia gama de gases de hidrocarburos*: Metano ^{1,2} , Etano ¹ , Propano ^{1,2} , Butano ¹ , Pentano ¹ , Hexano, Etileno ¹ , Propileno ¹ , ¹ Aprobación FM para el rendimiento; ² Aprobación DNV La calibración predeterminada es para hidrocarburos universales**	
Gases opcionales	La calibración a otros gases es opcional y debe consultarse con Honeywell.	
Rango	Metano 0-5 LEL.m / 0-220.000 ppm.m Etano 0-5 LEL.m / 0-120.000 ppm.m Propano 0-5 LEL.m / 0-85.000 ppm.m Butano 0-5 LEL.m / 0-70.000 ppm.m Pentano 0-5 LEL.m / 0-55.000 ppm.m Hexano 0-5 LEL.m / 0-50.000 ppm.m Etileno 0-5 LEL.m / 0-115.000 ppm.m Propileno 0-5 LEL.m / 0-100.000 ppm.m	
Configuración recomendada de la alarma	<u>Bajo 1 LEL.m:</u> (y ppm.m equivalente)	<u>Alto 3 LEL.m:</u> (y ppm.m equivalente)
	Metano 44.000 ppm.m Etano 24.000 ppm.m Propano 17.000 ppm.m Butano 14.000 ppm.m Pentano 11.000 ppm.m Hexano 10.000 ppm.m Etileno 23.000 ppm.m Propileno 20.000 ppm.m	Metano 132.000 ppm.m Etano 72.000 ppm.m Propano 51.000 ppm.m Butano 42.000 ppm.m Pentano 33.000 ppm.m Hexano 30.000 ppm.m Etileno 69.000 ppm.m Propileno 60.000 ppm.m
Configuración de alarma mínima recomendada	<u>0.5 LEL.m:</u> (y ppm.m equivalente)	
	Metano 22.000 ppm.m Etano 12.000 ppm.m Propano 8.500 ppm.m Butano 7.000 ppm.m Pentano 5.500 ppm.m Hexano 5.000 ppm.m Etileno 11.500 ppm.m Propileno 10.000 ppm.m	
Longitud de la ruta	Searchline Excel Plus: de 2 m a 120 m (de 6 pies a 393 pies)	
Velocidad de respuesta	T90 menos de 3 segundos	
Señal de salida analógica	4-20 mA Funcionamiento normal, 1 mA Fallo*, 2 mA Inhibición, 3 mA Advertencia, 21 mA Por encima del rango. *Searchline Excel Plus indicará Fallo después de 30 s sin señal. Este valor se puede programar. Para cumplir con la aprobación FM de rendimiento, el valor máximo del tiempo de bloqueo es de 200 s.	
Temperatura ambiente de funcionamiento	De -55 °C a +75 °C (de -67 °F a +167 °F); Ubicación Clase B según DNVGL-CG-0339	
Rango de temperaturas de almacenamiento	De -55 °C a +75 °C (de -67 °F a +167 °F); Ubicación Clase B según DNVGL-CG-0339	
Fuente de alimentación	24 V CC nominal (de 18 V CC a 32 V CC)	

* Searchline Excel Plus & Edge responderá a la mayoría de los gases de hidrocarburos, ya que la mayoría absorben IR en las longitudes de onda requeridas.

** La calibración a Universal Hydrocarbon cubre una gama de gases específicos pero diferentes dentro de una calibración que cumple con los requisitos del estándar de rendimiento.

ESPECIFICACIONES

Consumo de potencia (promedio RMS)	<p>Transmisor, para temperatura ambiente de funcionamiento:</p> <p>-55 °C (-67 °F) a -30 °C (-22 °F) 11,8 W</p> <p>-30 °C (-22 °F) a +30 °C (+86 °F) 5,6 W</p> <p>por encima de +30 °C (+86 °F) 3,8 W</p> <p>Receptor, para temperatura ambiente de funcionamiento:</p> <p>-55 °C (-67 °F) a -30 °C (-22 °F) 7,4 W</p> <p>-30 °C (-22 °F) a +30 °C (+86 °F) 4,8 W</p> <p>por encima de +30 °C (+86 °F) 3,0 W</p> <p>Consulte Instalación eléctrica en el Manual técnico para obtener detalles completos.</p>																		
Consumo de energía de arranque en frío / calentamiento	<p>El calentamiento dura aprox. 20 min tanto para transmisor como para receptor</p> <p>Transmisor: 17 W</p> <p>Receptor: 10 W para una temperatura ambiente superior a -30 °C (-22 °F)</p> <p>15 W para una temperatura ambiente inferior a -30 °C (-22 °F) (el equipo de calefacción está activo)</p>																		
Señales de salida	4–20 mA con HART, relé de fallo, relé de alarma 1, relé de alarma 2, Modbus, Bluetooth® (rango de hasta 20 m (66 pies), según el dispositivo móvil y las condiciones ambientales)																		
Salidas de relé	Máx. 32 V CC/CA, máx. 2 A de carga resistiva																		
Intensidad de irrupción	Transmisor: 0,5 A durante menos de 20 ms																		
	Receptor: 0,3 A durante menos de 20 ms																		
Humedad	0–99 % RH sin condensación, Ubicación Clase B según DNVGL-CG-0339																		
Presión	91,5–105,5 kPa (915–1055 mBar, sin compensación)																		
Repetibilidad	<p><u>±0,4 LEL.m;</u> (y ppm.m equivalente)</p> <p>Metano ±17.600 ppm.m</p> <p>Etano ±9.600 ppm.m</p> <p>Propano ±6.800 ppm.m</p> <p>Butano ±5.600 ppm.m</p> <p>Pentano ±4.400 ppm.m</p> <p>Hexano ±4.000 ppm.m</p> <p>Etileno ±9.200 ppm.m</p> <p>Propileno ±8.000 ppm.m</p>																		
Deriva de temperatura (de -55 °C a +75 °C) (de -67 °F a +167 °F)	<table> <tr> <td><u>±0,2 LEL.m @ cero;</u> (y ppm.m equivalente)</td> <td><u>±0,5 LEL.m @ 3LEL.m;</u> (y ppm.m equivalente)</td> </tr> <tr> <td>Metano ±8.800 ppm.m</td> <td>Metano ±22.000 ppm.m @ 132.000 ppm.m</td> </tr> <tr> <td>Etano ±4.800 ppm.m</td> <td>Etano ±12.000 ppm.m @ 72.000 ppm.m</td> </tr> <tr> <td>Propano ±3.400 ppm.m</td> <td>Propano ±8.500 ppm.m @ 51.000 ppm.m</td> </tr> <tr> <td>Butano ±2.800 ppm.m</td> <td>Butano ±7.000 ppm.m @ 42.000 ppm.m</td> </tr> <tr> <td>Pentano ±2.200 ppm.m</td> <td>Pentano ±5.500 ppm.m @ 33.000 ppm.m</td> </tr> <tr> <td>Hexano ±2.000 ppm.m</td> <td>Hexano ±5.000 ppm.m @ 30.000 ppm.m</td> </tr> <tr> <td>Etileno ±4.600 ppm.m</td> <td>Etileno ±11.500 ppm.m @ 69.000 ppm.m</td> </tr> <tr> <td>Propileno ±4.000 ppm.m</td> <td>Propileno ±10.000 ppm.m @ 60.000 ppm.m</td> </tr> </table>	<u>±0,2 LEL.m @ cero;</u> (y ppm.m equivalente)	<u>±0,5 LEL.m @ 3LEL.m;</u> (y ppm.m equivalente)	Metano ±8.800 ppm.m	Metano ±22.000 ppm.m @ 132.000 ppm.m	Etano ±4.800 ppm.m	Etano ±12.000 ppm.m @ 72.000 ppm.m	Propano ±3.400 ppm.m	Propano ±8.500 ppm.m @ 51.000 ppm.m	Butano ±2.800 ppm.m	Butano ±7.000 ppm.m @ 42.000 ppm.m	Pentano ±2.200 ppm.m	Pentano ±5.500 ppm.m @ 33.000 ppm.m	Hexano ±2.000 ppm.m	Hexano ±5.000 ppm.m @ 30.000 ppm.m	Etileno ±4.600 ppm.m	Etileno ±11.500 ppm.m @ 69.000 ppm.m	Propileno ±4.000 ppm.m	Propileno ±10.000 ppm.m @ 60.000 ppm.m
<u>±0,2 LEL.m @ cero;</u> (y ppm.m equivalente)	<u>±0,5 LEL.m @ 3LEL.m;</u> (y ppm.m equivalente)																		
Metano ±8.800 ppm.m	Metano ±22.000 ppm.m @ 132.000 ppm.m																		
Etano ±4.800 ppm.m	Etano ±12.000 ppm.m @ 72.000 ppm.m																		
Propano ±3.400 ppm.m	Propano ±8.500 ppm.m @ 51.000 ppm.m																		
Butano ±2.800 ppm.m	Butano ±7.000 ppm.m @ 42.000 ppm.m																		
Pentano ±2.200 ppm.m	Pentano ±5.500 ppm.m @ 33.000 ppm.m																		
Hexano ±2.000 ppm.m	Hexano ±5.000 ppm.m @ 30.000 ppm.m																		
Etileno ±4.600 ppm.m	Etileno ±11.500 ppm.m @ 69.000 ppm.m																		
Propileno ±4.000 ppm.m	Propileno ±10.000 ppm.m @ 60.000 ppm.m																		
Tiempo de calentamiento	Menos de 5 minutos (operativo), menos de 1 hora (completamente estabilizado)																		
Pila interna	TLH-2450, duración de 10 años (reemplazo solo mediante servicio autorizado)																		
Peso	Searchline Excel Plus: Rx 6,1 kg (13,4 lbs), Tx 6,0 kg (13,2 lbs)																		
	Soporte de montaje universal: 3,1 kg (6,9 lbs) Acero inoxidable																		
	Adaptador de placa de montaje: 3,71 kg (8,18 lbs) Acero inoxidable																		
Dimensiones	<p>Transmisor y receptor Searchline Excel Plus: 103 mm dia x 325 mm x 180 mm (4,06" dia x 12,8" x 7,09")</p> <p>Soporte de montaje universal: 165 mm x 165 mm x 130 mm (6,5" x 6,5" x 5,12")</p> <p>Adaptador de placa de montaje: 210 mm x 210 mm x 127 mm (8,23" x 8,23" x 5")</p>																		

ESPECIFICACIONES

<p>Protección contra filtraciones</p>	<p>IP 66/67 (Tipo 4X, según NEMA 250)^{1,2}</p> <p>¹ Las clasificaciones de IP y / o resistencia a la corrosión se refieren a la protección de la caja del instrumento. No implican que el instrumento detectará gas durante e inmediatamente después de la exposición a esas condiciones.</p> <p>² Consulte Mantenimiento en el Manual técnico para conocer las recomendaciones y los requisitos de mantenimiento relacionados con el diluvio y las inundaciones.</p> <p>Resistencia a la niebla salina y a la atmósfera sulfúrica (15-60 minutos de exposición al aire salado/niebla; 15-60 minutos en atmósfera sulfúrica)</p>
<p>Accesorios</p>	<p>2331B1020 Soporte de montaje ajustable grande 2017B0113 Protección de acero inoxidable 2017B0299 Ámbito de alineación 2017B0218 Filtros de prueba funcionales Extensor de filtros de prueba funcionales 2017B0185 Celda de prueba de gas Teléfono móvil de área peligrosa Aplicación Honeywell Fixed Platform¹</p> <p>¹ probado con el teléfono móvil Ecom Smart EX02. Es posible que funcionen otros teléfonos y tabletas con Android 5.1 o superior, pero Honeywell no garantiza la funcionalidad completa.</p>
<p>Repuestos</p>	<p>2331B1100 Placa de soporte de montaje universal de repuesto 2017B0112 Protector estándar de repuesto (plástico) 2331B1150 Conjunto de bloques de terminales de repuesto (paquete de 5) 2331B1160 Tapa de antena de repuesto (paquete de 5)</p>
<p>Conformidad con las normas</p>	<p>Aprobaciones fundamentales:</p> <p>EN 50270: (EMC) IEC/EN 61000-6-4; Directiva de equipos de radio 2014/53/EU IEC/EN/UL/CSA 61010 (Seguridad eléctrica) FCC / IC RoHS, China RoHS</p>
<p>Aprobaciones de seguridad</p>	<p>cULus:</p> <p>Cl. I, Div.1, Gr. B,C,D, T4 (Ta -55°C to +75°C) Cl. II, Div.1, Gr. E,F,G, T4 (Ta -55°C to +55°C) Cl. III Cl. I, Zn. 1 AEx db ia op is IIC T4 Gb (Ta -55°C to +75°C) Cl. I, Zn. 1 AEx db eb ia op is IIC T4 Gb (Ta -55°C to +75°C) Zn. 21 AEx ia op is tb IIIC T100°C Db (Ta -55°C to +55°C) Ex db ia op is IIC T4 Gb X (Ta -55°C to +75°C) Ex db eb ia op is IIC T4 Gb X (Ta -55°C to +75°C) Ex ia op is tb IIIC T100°C Db X (Ta -55°C to +55°C) Um = 250 Vrms</p> <p>DEMKO 20 ATEX 2281X / IECEx UL 20.0009X / UL21UKEX2047X (Ex d install) Ex db ia op is IIC T4 Gb (Ta -55°C to +75°C) or (Ex de install) Ex db eb ia op is IIC T4 Gb (Ta -55°C to +75°C) Ex ia op is tb IIIC T100°C Db (Ta -55°C to +75°C) Um = 250 Vrms</p> <p>Aprobaciones de desempeño FM 60079-29-4 / UL 60079-29-4</p> <p>Seguridad funcional (SIL) SIL 2 certificado por TÜV (SÜD) según EN61508</p> <p>Aprobaciones principales EN 50270: (EMC) IEC/EN 61000-6-4; Directiva de equipos de radio 2014/53/EU IEC/EN/UL/CSA 61010 (seguridad eléctrica); FCC/IC; RoHS, China RoHS</p>

GARANTÍA

Honeywell Analytics garantiza el transmisor y receptor del detector de gas inflamable de vía abierta Searchline Excel Plus durante 5 años con cobertura de piezas defectuosas y mano de obra.

Esta garantía no incluye materiales como baterías, fusibles, ropay el desgastey la rotura normales, ni daños debidos a errores, uso incorrecto, instalación incorrecta, o uso, modificación o reparación no autorizados, el entorno, contaminantes o condiciones de funcionamiento anómalas.

Esta garantía no se aplica a sensores o componentes que estén cubiertos por garantías independientes, ni a cables y componentes de terceros.

En ningún caso Honeywell Analytics será responsable de los daños o lesiones de cualquier naturaleza o tipo que surjan por un manejo o uso incorrecto de este equipo.

En ningún caso Honeywell Analytics será responsable de cualquier fallo o daño del equipo, incluidos (sin limitación) daños accidentales, directos, indirectos, especiales y consecuentes, daños por pérdida de beneficios empresariales, interrupción del negocio, pérdida de información empresarial u otras pérdidas pecuniarias que sean resultado de la instalación o el uso incorrectos de este equipo.

Cualquier reclamación realizada con arreglo a la garantía del producto de Honeywell Analytics deberá realizarse dentro del período de garantía y tan pronto como sea posible una vez detectado un defecto. Póngase en contacto con el representante local de Honeywell Analytics Service para presentar su reclamación.

Este es un resumen. Para obtener los términos de garantía completos, consulte la **Declaración general de garantía limitada del producto de Honeywell**, disponible previa solicitud.

NOTA:

Guarde la hoja de registro en un lugar seguro para futuras consultas.

O **Searchline Excel™ Plus** é uma 3.ª geração de Detetores de Fugas de Gás Hidrocarboneto Inflamável por Feixe Aberto (Open Path Flammable Hydrocarbon Gas Leak Detectors - OPFGD) concebidos para detetar e alertar para a presença de uma série de gases de hidrocarbonetos inflamáveis. O Searchline Excel Plus é um detetor OPFGD avançado para aplicações de segurança com cobertura de 2 a 120 m (6 a 393 pés) de alcance. O Detetor de Gás Hidrocarboneto Inflamável Searchline Excel Plus consiste num par emissor/recetor cooperativo que deteta a presença de uma série de gases de hidrocarbonetos inflamáveis na linha entre os mesmos. O Searchline Excel Plus proporciona um tempo de atividade imbatível com uma deteção robusta nas condições mais severas, penetrando até mesmo o nevoeiro mais espesso. Inclui com suportes e guarda-sóis como um sistema completo e vem equipado com acessórios de teste e alinhamento.

O Searchline Excel Plus fornece indicação do estado visual local, bem como 4–20 mA com saídas HART® e Modbus® como padrão. Tem uma interface Bluetooth® para configuração e manutenção através da Aplicação de Plataforma Fixa da Honeywell num dispositivo adequado com Bluetooth.

O Searchline Excel Plus tem aprovação ATEX e IECEx para utilização em áreas perigosas de Zona 1 (gás) ou Zona 21 (pó), e também aprovação cULus para utilização em localizações de Classe I Divisão 1 ou Classe II Divisão 1 ou Classe III Divisão 1.

O Searchline Excel Plus está disponível em aço inoxidável pintado e tem duas entradas de cabos para facilitar a ligação de cabos com as opções M25 ou NPT de 3/4"

AVISO

1. O Detetor de Gás Inflamável por Feixe Aberto Searchline Excel Plus é certificado para utilização em áreas potencialmente perigosas. A instalação, operação e manutenção do instrumento tem de cumprir os requisitos de segurança e operação em áreas perigosas.
2. A instalação tem de estar em conformidade com as normas reconhecidas da autoridade competente no país em questão. Para a Europa, consulte as normas EN 60079-14 e EN 60079-29-2.
3. Para instalações no Reino Unido, o Código de Prática de SELEÇÃO, INSTALAÇÃO E MANUTENÇÃO DE APARELHOS ELÉTRICOS PARA UTILIZAÇÃO EM ATMOSFERAS POTENCIALMENTE EXPLOSIVAS deve ser rigorosamente respeitado. As recomendações gerais são apresentadas nas normas BS EN 60079-14 e IEC 60079-14. Consulte as normas BS EN 60079-29-2 e IEC 60079-29-2 no Reino Unido ou os regulamentos locais ou nacionais apropriados.
4. Para instalações na América do Norte, o Código Elétrico nacional (NFPA 70), ou versões posteriores, deve ser rigorosamente respeitado.
5. Os transmissores e recetores do Detetor de Gás Inflamável por Feixe Aberto Searchline Excel Plus devem ser devidamente ligados à terra para proteger contra choques elétricos e minimizar interferências elétricas. Para considerações de planeamento de instalações elétricas, consulte o capítulo 6: Instalação elétrica.
6. Os operadores têm de estar plenamente conscientes da ação a ser tomada se a concentração de gás exceder um nível de alarme.
7. A desmontagem ou a reparação do equipamento deve ser efetuada apenas na área segura.
8. Os gases de teste podem ser tóxicos e/ou inflamáveis. Consulte as Fichas de Segurança do Material sobre os avisos apropriados.
9. NÃO faça furos nas caixas, pois isso invalidará a proteção contra explosão.
10. De modo a manter a segurança elétrica, os instrumentos NÃO devem operar em atmosferas que contenham mais de 21% de oxigénio.
11. Certifique-se de que os parafusos que fixam os invólucros ignífugos são totalmente apertados. Os parafusos de fixação utilizados são fabricados a partir de uma qualidade especial de aço certificada. Apenas os parafusos fornecidos pela Honeywell Analytics devem ser colocados para este efeito.
12. NÃO abra a caixa na presença de uma atmosfera explosiva.
13. A unidade transmissora contém altas tensões quando está operacional. Estas são descarregadas quando a unidade é removida da respetiva caixa.
14. A conduta e os prensa-cabos instalados no transmissor e recetor do Searchline Excel Plus NÃO devem ser modificados. Se, no entanto, se tornar necessário efetuar modificações, estas têm de estar em conformidade com os Códigos de Prática nacionais relevantes.
15. A irradiação e a potência emitidas pelos transmissores Searchline Excel Plus é inferior a 5 mW/mm² e 15 mW/mm² respetivamente. Está designado como seguro para os olhos.

AVISO

16. O equipamento NÃO se destina a ser montado em superfícies que possam funcionar como fontes de aquecimento ou arrefecimento.
17. NÃO opere os instrumentos fora do intervalo de temperaturas indicado na secção Especificação.
18. NÃO abra as caixas frontais. Isso invalidará a garantia. As caixas frontais só podem ser abertas para manutenção de reparação aconselhada por uma pessoa autorizada e qualificada.
19. NÃO modifique ou altere a construção do produto, pois os requisitos essenciais de segurança e certificação podem ser invalidados.
20. A instalação, configuração e manutenção têm de ser realizadas apenas por pessoal qualificado. Consulte sempre o manual.
21. O acesso ao interior do produto, ao realizar qualquer trabalho, tem de ser efetuado apenas por pessoal qualificado.
22. A tampa de transporte de plástico fornecida tem de ser substituída por fechos devidamente certificados (tais como fichas de paragem ou prensagem) antes do comissionamento. Não o fazer constitui uma fonte potencial de ignição. Uma ficha de paragem certificada é fornecida como padrão.
23. NÃO confie no indicador visual local para fins relacionados com a segurança.

PRECAUÇÃO

1. Um dispositivo móvel com a Aplicação de Plataforma Fixa da Honeywell instalada é um pré-requisito para o ajuste de definições do detetor efetuado através da ligação Bluetooth.
2. O comissionamento ou o teste de avaliação do Searchline Excel Plus não está concluído até que a unidade seja testada para verificar se funciona de acordo com as suas especificações.

NOTA:

Se a última ligação e sincronização entre a Aplicação de Plataforma Fixa da Honeywell e o servidor tiver sido estabelecida **há mais de 1 ano**, será apresentada uma mensagem de precaução na Aplicação com um pedido para estabelecer uma ligação à Internet e renovar o certificado de segurança. Isto NÃO afetará o funcionamento do instrumento.

CONTEÚDO DA EMBALAGEM

- 1 recetor Searchline Excel Plus (caixa n.º 1)
- 1 transmissor Searchline Excel Plus (caixa n.º 2)
- 1 suporte de montagem universal
- 1 guarda-sol de plástico (opcional, em aço inoxidável)
- 1 capa de antena
- 1 chave Allen (hex), tamanho 10
- 1 chave Allen (hex), tamanho 8
- 1 chave Allen (hex), tamanho 5
- 1 chave Allen (hex), tamanho 1.5
- 1 folha de registo
- 1 guia de início rápido (este documento)

INSTALAÇÃO

PRECAUÇÃO

1. Verifique se a embalagem está danificada antes de abrir. Se a embalagem apresentar sinais de rasgos, quebras ou outros danos, informe imediatamente a transportadora e o fornecedor. Documente os danos de forma apropriada (por exemplo, fotografias).
2. Abra cuidadosamente a embalagem para evitar danificar o conteúdo.
3. Verifique se existem danos no recetor e transmissor do Searchline Excel Plus e no suporte e guarda-sol. Se encontrar algum artigo danificado de alguma forma, informe imediatamente a transportadora e o fornecedor. Documente os danos de forma apropriada (por exemplo, fotografias).
4. Em caso de danos:
 - a) Deixe o(s) artigo(s) na embalagem original
 - b) Não tente reparar ou operar o detetor até que a reclamação dos danos tenha sido resolvida com o fornecedor.
5. A instalação, configuração e manutenção têm de ser realizadas apenas por pessoal qualificado e autorizado.
6. NÃO abra a caixa frontal. A garantia de uma unidade, cuja caixa frontal tenha sido aberta, é invalidada. As caixas frontais só podem ser abertas para manutenção de reparação aconselhada por uma pessoa autorizada e qualificada.
7. NÃO modifique a caixa frontal ou as partes componentes, pois isso irá comprometer a certificação de local perigoso e invalidar a garantia. As caixas frontais só podem ser abertas para manutenção de reparação aconselhada por uma pessoa autorizada e qualificada.
8. NÃO modifique de forma alguma a construção do detetor, pois isso invalidará a garantia.
9. Abra e feche a tampa do compartimento de cablagem com cuidado para evitar a deformação.
10. A instalação, configuração e manutenção têm de ser realizadas apenas por pessoal qualificado e autorizado.
11. Evite a entrada de água e pó ao abrir o compartimento dos cabos para proteger os contactos eletrónicos não blindados.
12. Segure o detetor ao desapertar os parafusos do suporte. Uma libertação indesejada pode causar ferimentos.
13. Verifique as superfícies de acoplamento antes da montagem (roscas, O-rings). Certifique-se de que estão limpos e sem contaminantes.
14. Verifique os O-rings antes da montagem e substitua, se estiverem danificados, por peças genuínas.
15. O Searchline Excel Plus é fornecido sem prensa-cabos. Certifique-se de que todas as roscas de entrada de cabos estão seladas com um bujão apropriado para eliminar a entrada de água e os danos na rosca. Na instalação, as fichas de transporte de entrada de cabos têm de ser removidas e substituídas por bujões adequados, adaptadores de rosca ou bujões para satisfazer os requisitos locais sobre locais perigosos.
16. Verifique a adequação do bujão para a respetiva utilização final no local e certifique-se de que cumpre os regulamentos locais e nacionais.
17. Desligue os instrumentos do Searchline Excel Plus da alimentação durante a ligação dos cabos. NÃO instale fios nem efetue a ligação de cabos com energia aplicada.

PRECAUÇÃO

Se o circuito para corrente de 4–20 mA não for usado, um jumper deverá ser conectado entre 4–20 mA+ (terminal 5) e 24 VCC+ (terminal 8) e um resistor de carga deverá ser conectado entre 4–20 mA- (terminal 6) e O VCC (terminal 9). Recomenda-se o uso de um resistor de 470 ohm, 1/4 W (250 a 400 Ω se HART for necessária). Com o circuito para corrente de 4–20 mA configurado dessa forma, a instalação para HART ainda pode ser usada com uma unidade portátil para HART, usando os terminais 20 e 21 dentro do compartimento da fiação.

Normalmente, o Searchline Excel Plus é montado em altura, geralmente num poste com os parafusos U fornecidos e cobrindo a área a proteger. O Suporte de Montagem Universal fornecido permite a montagem numa placa, poste ou outra infraestrutura de fábrica. Todos os parafusos são retidos para evitar perdas durante a instalação.

O Searchline Excel Plus tem duas entradas de cabos para uma ligação de cabos fácil com as opções M25 ou NPT de 3/4". Os cabos terminam nos conectores dos terminais de acordo com o diagrama de ligação de cabos. Os cabos sobressalentes devem ser adequadamente terminados. A ligação de cabos tem de estar em conformidade com os regulamentos locais, nacionais e da empresa. Os cabos expostos ou sem isolamento devem ser evitados.

Consulte o **Manual Técnico** para obter instruções sobre a instalação mecânica e elétrica.

Pode transferir o Manual Técnico em www.sps.honeywell.com.

COMISSIONAMENTO

PRECAUÇÃO

1. Um dispositivo móvel com a Aplicação de Plataforma Fixa da Honeywell instalada é um pré-requisito para o ajuste de definições do detetor efetuado através da ligação Bluetooth.
2. O comissionamento ou o teste de avaliação do Searchline Excel Plus não está concluído até que a unidade seja testada para verificar se funciona de acordo com as suas especificações.

1. Verifique se as unidades do Searchline Excel Plus estão montadas e ligadas corretamente. Consulte a secção **Instalação** do **Manual Técnico** para obter instruções.
2. Verifique se as unidades do Searchline Excel Plus estão oticamente alinhadas da forma correta. Consulte a secção **Alinhamento** do **Manual Técnico** para obter instruções.
3. Estabeleça ligação à **Aplicação de Plataforma Fixa da Honeywell** por Bluetooth.
4. Ligue as unidades de emissão e receção do Searchline Excel Plus.
5. Realize um teste de verificação funcional e de integridade do loop de 4–20 mA. Consulte a secção **Comissionamento** do **Manual Técnico** para obter instruções.
6. Verifique se as unidades do Searchline Excel Plus estão configuradas como recomendado pelo documento de estudo do local relevante.
7. Se necessário, ajuste as definições do detetor através da **Aplicação de Plataforma Fixa da Honeywell**.
8. Verifique se as saídas de segurança do Searchline Excel Plus estão a funcionar corretamente. Consulte a secção **Manutenção** do **Manual Técnico** para obter instruções.

Pode transferir o Manual Técnico em www.sps.honeywell.com

OPÇÕES CONFIGURÁVEIS PELO UTILIZADOR

A **Aplicação de Plataforma Fixa da Honeywell** permite ajustar as seguintes opções configuráveis pelo utilizador:

- | | |
|--|--|
| 1. ID do detetor | 13. Intensidade do LED |
| 2. Modo de operação | 14. Período de tempo limite do modo Inibido |
| 3. Nível de inibição | 15. Definir código de acesso |
| 4. Ponto de referência do Alarme 1 – modificar | 16. Nível normal |
| 5. Ponto de referência do Alarme 2 – adicionar | 17. Bloqueio de alarme |
| 6. Nível de aviso | 18. Modo de corrente de loop |
| 7. Nível de falha | 19. HART poll address (endereço de interrogação) |
| 8. Nível acima do intervalo | 20. Relé de falha |
| 9. Nível de alarme 1 | 21. Relé de alarme 1 |
| 10. Nível de alarme 2 | 22. Relé de alarme 2 |
| 11. Intervalo do teste de avaliação | 23. Unidade de saída de leitura de gás |
| 12. Modo LED | 24. Tempo de resposta (1, 2, 3 seg.) |

SINALIZAÇÃO DE ESTADO

O Searchline Excel Plus está equipado com um indicador de estado LED de alta visibilidade. Consulte a secção **Operação** do **Manual Técnico** para obter mais informações.

AVISO

O comportamento do indicador de estado do LED é configurável. Se o indicador de estado do LED estiver configurado de forma diferente da configuração predefinida, pode indicar estados diferentes de outras saídas.

Operação sem Bluetooth	Cor	Esquema
Falha	Amarelo intermitente	Predefinição
Inibido	Amarelo contínuo	Predefinição
Aviso	Amarelo intermitente com verde alternado	Predefinição
Normal	Verde contínuo	Predefinição
Normal	Verde intermitente	Opcional
Normal	Nada	Opcional
Alarme	Vermelho intermitente	Predefinição
Acima do intervalo	Vermelho intermitente	Predefinição

Operação com Bluetooth	Cor	Esquema
Falha	Amarelo intermitente	Predefinição
Inibido	Amarelo contínuo	Predefinição
Aviso	Amarelo intermitente com verde alternado	Predefinição
Normal	Azul contínuo	Predefinição
Normal	Azul intermitente	Opcional
Alarme	Vermelho intermitente	Predefinição
Acima do intervalo	Vermelho intermitente	Predefinição
Em ligação	Azul intermitente	Predefinição
Ligado	Azul contínuo	Predefinição
Aviso	Azul alternado	Predefinição

Sinalização de estado do loop de mA

Modo	Valor predefinido (mA)		Valor mín. (mA)	Valor máx. (mA)
	Modo discreto	Modo proporcional		
Falha	1		0	3.6
Inibido	2		1	3.6
Aviso	3		1	4
Normal	4	Proporcional à concentração de gás	4	20
Alarme	20	Não disponível	4	20
Acima do intervalo	21		20	22

TESTE DE AVALIAÇÃO PERIÓDICO

A funcionalidade do Searchline Excel Plus pode ser verificada com os Filtros de Testes Funcionais (opcional) ou em combinação com a Aplicação de Plataforma Fixa da Honeywell.

Consulte a secção **Manutenção** do **Manual Técnico** para obter instruções sobre como realizar testes Básicos e Avançados.

Pode transferir o Manual Técnico em www.sps.honeywell.com.

ESPECIFICAÇÕES

Gases disponíveis (gases aprovados de desempenho ^{1,2})	Searchline Excel Plus & Edge responderá a uma ampla gama de gases de hidrocarbonetos *: Metano ^{1,2} , Etano ¹ , Propano ^{1,2} , Butano ¹ , Pentano ¹ , Hexano ¹ , Etileno ¹ , Propileno ¹ ¹ Com aprovação de Desempenho FM; ² Com aprovação DNV A calibração padrão é para hidrocarboneto universal **	
Gases opcionais	A calibração para outros gases é opcional e deve ser consultada com a Honeywell.	
Intervalo	Metano 0-5 LEL.m/0-220.000 ppm.m Etano 0-5 LEL.m/0-120.000 ppm.m Propano 0-5 LEL.m/0-85.000 ppm.m Butano 0-5 LEL.m/0-70.000 ppm.m Pentano 0-5 LEL.m/0-55.000 ppm.m Hexano 0-5 LEL.m/0-50.000 ppm.m Etileno 0-5 LEL.m/0-115.000 ppm.m Propileno 0-5 LEL.m/0-100.000 ppm.m	
Definição de alarme recomendada	<u>Mínimo 1 LEL.m:</u> (e ppm.m equivalente)	<u>Máximo 3 LEL.m:</u> (e ppm.m equivalente)
	Metano 44.000 ppm.m Etano 24.000 ppm.m Propano 17.000 ppm.m Butano 14.000 ppm.m Pentano 11.000 ppm.m Hexano 10.000 ppm.m Etileno 23.000 ppm.m Propileno 20.000 ppm.m	Metano 132.000 ppm.m Etano 72.000 ppm.m Propano 51.000 ppm.m Butano 42.000 ppm.m Pentano 33.000 ppm.m Hexano 30.000 ppm.m Etileno 69.000 ppm.m Propileno 60.000 ppm.m
Configuração mínima de alarme recomendada	<u>0.5 LEL.m:</u> (e ppm.m equivalente)	
	Metano 22.000 ppm.m Etano 12.000 ppm.m Propano 8.500 ppm.m Butano 7.000 ppm.m Pentano 5.500 ppm.m Hexano 5.000 ppm.m Etileno 11.500 ppm.m Propileno 10.000 ppm.m	
Extensão do feixe	Searchline Excel Plus: 2 a 120 m (6 a 393 pés)	
Velocidade de resposta	T90 inferior a 3 segundos	
Sinal de saída analógica	4-20 mA com operação normal, 1 mA com falha*, 2 mA Inibido, 3 mA Aviso, 21 mA Acima do intervalo. *O Searchline Excel Plus indicará Falha após 30 seg. sem sinal. Este valor é programável. Para cumprir com a aprovação de desempenho FM, o valor máximo do Tempo para Bloqueio é 200 seg.	
Temperatura de operação ambiental	-55 °C a +75 °C (-67 °F a +167 °F); DNVGL-CG-0339 Localização Classe B	
Gama de temperaturas de armazenamento	-55 °C a +75 °C (-67 °F a +167 °F); DNVGL-CG-0339 Localização Classe B	
Fonte de alimentação	24 V CC nominal (18 a 32 V CC)	

* O Searchline Excel Plus & Edge responderá à maioria dos gases de hidrocarbonetos, pois a maioria absorve IV nos comprimentos de onda necessários.

tt** A calibração para hidrocarboneto universal cobre uma variedade de gases específicos, mas diferentes em uma calibração que atende aos requisitos do padrão de desempenho.

ESPECIFICAÇÕES

Consumo de energia (média RMS)	Transmissor , para temperatura ambiente de operação: -55 °C (-67 °F) a -30 °C (-22 °F) 11,8 W -30 °C (-22 °F) a +30 °C (+86 °F) 5,6 W acima de +30 °C (+86 °F) 3,8 W Receptor , para temperatura ambiente de operação: -55 °C (-67 °F) a -30 °C (-22 °F) 7,4 W -30 °C (-22 °F) a +30 °C (+86 °F) 4,8 W acima de +30 °C (+86 °F) 3,0 W Veja Instalação Elétrica no Manual Técnico para detalhes completos.	
Consumo de energia de inicialização a frio / aquecimento	O aquecimento dura aprox. 20 min para transmissor e receptor Transmissor: 17 W Receptor: 10 W para temperatura ambiente de operação superior a -30 °C (-22 °F) 15 W para temperatura ambiente de operação inferior a -30 °C (-22 °F) (aquecedor ativo)	
Sinais de saída	4–20 mA com HART, Relé de falha, Relé de alarme 1, Relé de alarme 2, Modbus, Bluetooth® (alcance até 20 m, depende do dispositivo móvel e das condições ambientais)	
Saídas do relé	Máx. 32 V CC/CA, máx. 2 A de carga resistiva	
Corrente de arranque	Transmissor: 0,5 A durante menos de 20 ms Receptor: 0,3 A durante menos de 20 ms	
Humidade	0–99 % RH sem condensação, DNVGL-CG-0339 Localização Class B	
Pressão	91,5–105,5 kPa (915–1055 mBar, sem compensação)	
Repetibilidade	<u>±0,4 LEL.m;</u> <u>(e ppm.m equivalente)</u> Metano ±17.600 ppm.m Etano ±9.600 ppm.m Propano ±6.800 ppm.m Butano ±5.600 ppm.m Pentano ±4.400 ppm.m Hexano ±4.000 ppm.m Etileno ±9.200 ppm.m Propileno ±8.000 ppm.m	
Desvio de temperatura (-55 °C a +75 °C) (-67 °F a +167 °F)	<u>±0,2 LEL.m @ zero;</u> <u>(e ppm.m equivalente)</u> Metano ±8.800 ppm.m Etano ±4.800 ppm.m Propano ±3.400 ppm.m Butano ±2.800 ppm.m Pentano ±2.200 ppm.m Hexano ±2.000 ppm.m Etileno ±4.600 ppm.m Propileno ±4.000 ppm.m	<u>±0,5 LEL.m @ 3 LEL.m;</u> <u>(e ppm.m equivalente)</u> Metano ±22.000 ppm.m @ 132.000 ppm.m Etano ±12.000 ppm.m @ 72.000 ppm.m Propano ±8.500 ppm.m @ 51.000 ppm.m Butano ±7.000 ppm.m @ 42.000 ppm.m Pentano ±5.500 ppm.m @ 33.000 ppm.m Hexano ±5.000 ppm.m @ 30.000 ppm.m Etileno ±11.500 ppm.m @ 69.000 ppm.m Propileno ±10.000 ppm.m @ 60.000 ppm.m
Tempo de aquecimento	Menos de 5 minutos (operacional), menos de 1 hora (totalmente estabilizado)	
Célula de bateria interna	TLH-2450, 10 anos de vida útil (substituído apenas por serviço autorizado)	
Peso	Searchline Excel Plus: Rx 6,1 kg (13,4 lb), Tx 6,0 kg (13,2 lb) Suporte de montagem universal: 3,1 kg (6,9 lb) Aço inoxidável Adaptador da placa de montagem: 3,71 kg (8,18 lb) Aço inoxidável	
Dimensões	Transmissor e receptor do Searchline Excel Plus: 103 mm dia x 325 mm x 180 mm (4,06" dia x 12,8" x 7,09") Suporte de montagem universal: 165 mm x 165 mm x 130 mm (6,5" x 6,5" x 5,12") Adaptador da placa de montagem: 210 mm x 210 mm x 127 mm (8,23" x 8,23" x 5")	

ESPECIFICAÇÕES

<p>Proteção da entrada</p>	<p>IP 66/67 (Tipo 4X, de acordo com a norma NEMA 250)^{1,2}</p> <p>¹ As classificações de resistência à corrosão e / ou IP referem-se à proteção do gabinete do instrumento. Eles não implicam que o instrumento detectará gás durante e imediatamente após a exposição a essas condições</p> <p>² Consulte Manutenção no Manual Técnico para recomendações e requisitos de manutenção relacionados a dilúvio e inundação.</p> <p>Resistência à névoa salina e atmosfera sulfúrica (15-60 minutos de exposição para ar/névoa salina; 15-60 minutos para atmosfera sulfúrica)</p>
<p>Acessórios</p>	<p>2331B1020 Suporte grande de montagem ajustável</p> <p>2017B0113 Guarda-sol de aço inoxidável</p> <p>2017B0299 Telescópio de alinhamento</p> <p>2017B0218 Filtros de teste funcional</p> <p>Extensor de filtros de teste funcional</p> <p>2017B0185 Célula de teste de gaseamento</p> <p>Telemóvel para áreas perigosas</p> <p>Aplicação de Plataforma Fixa da Honeywell¹</p> <p>¹ testado com o telefone móvel Ecom Smart EX02. Outros telefones e tablets com Android 5.1 ou superior podem funcionar, mas a Honeywell não garante funcionalidade total.</p>
<p>Peças sobressalentes</p>	<p>2331B1100 Placa de suporte de montagem universal sobressalente</p> <p>2017B0112 Guarda-sol padrão sobressalente (plástico)</p> <p>2331B1150 Conjunto de blocos de terminais sobressalentes (5 unidades)</p> <p>2331B1160 Cobertura de antena sobressalente (5 unidades)</p>
<p>Conformidade com as normas</p>	<p>Aprovações base:</p> <p>EN 50270: (CEM)</p> <p>IEC/EN 61000-6-4; Diretiva de Equipamentos de Rádio 2014/53/UE</p> <p>IEC/EN/UL/CSA 61010 (Segurança Elétrica)</p> <p>FCC/IC</p> <p>RoHS, China RoHS</p>
<p>Aprovações de segurança</p>	<p>cULus:</p> <p>Cl. I, Div.1, Gr. B,C,D, T4 (Ta -55°C to +75°C)</p> <p>Cl. II, Div.1, Gr. E,F,G, T4 (Ta -55°C to +55°C)</p> <p>Cl. III</p> <p>Cl. I, Zn. 1 AEx db ia op is IIC T4 Gb (Ta -55°C to +75°C)</p> <p>Cl. I, Zn. 1 AEx db eb ia op is IIC T4 Gb (Ta -55°C to +75°C)</p> <p>Zn. 21 AEx ia op is tb IIIC T100°C Db (Ta -55°C to +55°C)</p> <p>Ex db ia op is IIC T4 Gb X (Ta -55°C to +75°C)</p> <p>Ex db eb ia op is IIC T4 Gb X (Ta -55°C to +75°C)</p> <p>Ex ia op is tb IIIC T100°C Db X (Ta -55°C to +55°C)</p> <p>Um = 250 Vrms</p> <p>DEMKO 20 ATEX 2281X / IECEx UL 20.0009X / UL21UKEX2047X</p> <p>(Ex d install) Ex db ia op is IIC T4 Gb (Ta -55°C to +75°C) or</p> <p>(Ex de install) Ex db eb ia op is IIC T4 Gb (Ta -55°C to +75°C)</p> <p>Ex ia op is tb IIIC T100°C Db (Ta -55°C to +75°C)</p> <p>Um = 250 Vrms</p> <p>Aprovações de desempenho</p> <p>FM 60079-29-4 / UL 60079-29-4</p> <p>Segurança Funcional (SIL)</p> <p>SIL 2 certificado pela TÜV (SÜD) para EN61508</p> <p>Aprovações do núcleo</p> <p>EN 50270: (EMC) IEC / EN 61000-6-4; Diretiva de equipamentos de rádio 2014/53 / UE</p> <p>IEC / EN / UL / CSA 61010 (Segurança elétrica); FCC / IC; RoHS, China RoHS</p>

GARANTIA

O transmissor e o recetor do Detetor de Gás Inflamável por Feixe Aberto Searchline Excel Plus têm garantia da Honeywell Analytics durante 5 anos contra peças defeituosas e mão de obra.

Esta garantia não cobre consumíveis, baterias, fusíveis, desgaste normal, ou danos causados por acidente, abuso, instalação indevida, utilização não autorizada, modificação ou reparação, ambiente, venenos, contaminantes ou condições de funcionamento anómalas.

Esta garantia não se aplica a sensores ou componentes cobertos por garantias separadas, nem a cabos e componentes de outros fabricantes.

Em caso algum, a Honeywell Analytics será responsável por quaisquer danos ou lesões de qualquer natureza ou tipo, independentemente da forma como sejam causados, que resultem de um manuseamento ou utilização incorreta deste equipamento.

Em caso algum, a Honeywell Analytics será responsável por qualquer avaria ou dano ao equipamento, incluindo (sem limitação) danos acidentais, diretos, indiretos, especiais e consequentes, danos por perda de lucros comerciais, interrupção de negócios, perda de informações comerciais, ou outras perdas pecuniárias, resultantes da instalação ou utilização incorreta deste equipamento.

Qualquer reclamação ao abrigo da Garantia do Produto Honeywell Analytics deve ser realizada dentro do período de garantia e assim que for razoavelmente praticável após a descoberta de um defeito.

Contacte o seu representante local do Honeywell Analytics Service para registar a sua reclamação.

Isto é um resumo. Para ver os termos de garantia completos, consulte a **Declaração Geral de Garantia Limitada do produto da Honeywell**, que está disponível mediante pedido.

NOTA:

Manter a ficha de registo em segurança para referência futura.

Searchline Excel™ Plus — это 3-е поколение детекторов утечки легковоспламеняющегося углеводородного газа с открытым оптическим трактом (OPFGD), предназначенных для обнаружения и оповещения о наличии ряда легковоспламеняющихся углеводородных газов. Searchline Excel Plus — это современный детектор OPFGD для систем жизнеобеспечения с охватом от 2 до 120 м (от 6 до 393 футов). Детектор легковоспламеняющихся углеводородных газов Searchline Excel Plus состоит из пары взаимодействующих устройств — передатчик/приемник, — которая обнаруживает наличие ряда легковоспламеняющихся углеводородных газов на линии между ними. Searchline Excel Plus обеспечивает непревзойденное время безотказной работы благодаря надежному обнаружению в самых суровых условиях, проникая даже через самый густой туман. Система поставляется в полном комплекте: с креплениями и солнцезащитными козырьками, а также с аксессуарами для выравнивания и тестирования.

Searchline Excel Plus обеспечивает локальную визуальную индикацию состояния, в стандартной комплектации оснащен выходами HART® и Modbus® 4–20 мА. Он имеет интерфейс Bluetooth® для настройки и обслуживания с помощью приложения Honeywell Fixed Platform App на подходящем устройстве с поддержкой Bluetooth.

Датчик Searchline Excel Plus соответствует стандартам ATEX и IECEx для использования в опасных зонах класса 1 (газ) или 21 (пыль), а также стандартам cULus для использования в зонах класса I (тип 1), класса II (тип 1) или класса III (тип 1).

Searchline Excel Plus поставляется в корпусе из окрашенной нержавеющей стали и имеет два кабельных ввода для упрощения подключения с резьбой M25 или 3/4" NPT.

⚠ ПРЕДУПРЕЖДЕНИЕ

1. Детектор горючих газов Searchline Excel Plus с открытым оптическим трактом сертифицирован и предназначен для использования в потенциально опасных зонах. Установка, эксплуатация и обслуживание прибора должны выполняться в соответствии с требованиями безопасности и эксплуатации в опасных зонах.
2. Установка должна производиться согласно признанным стандартам соответствующего органа власти выбранной страны. Для Европы см. стандарты EN 60079-14 и EN 60079-29-2.
3. При установке в Великобритании необходимо строго соблюдать Правила ВЫБОРА, УСТАНОВКИ И ОБСЛУЖИВАНИЯ ЭЛЕКТРИЧЕСКОГО ОБОРУДОВАНИЯ ДЛЯ ИСПОЛЬЗОВАНИЯ В ПОТЕНЦИАЛЬНО ВЗРЫВООПАСНЫХ СРЕДАХ. Общие рекомендации приведены в стандартах BS EN 60079-14 и IEC 60079-14. См. BS EN 60079-29-2 и IEC 60079-29-2 для Великобритании или соответствующие региональные или государственные правила.
4. При установке в Северной Америке необходимо строго соблюдать национальные электрические правила и нормы NFPA 70 или более поздние редакции.
5. Передатчики и приемники детектора горючих газов Searchline Excel Plus с открытым трактом должны быть правильно заземлены для защиты от поражения электрическим током и минимизации влияния электрических помех. Рекомендации по проектированию монтажа электрооборудования см. в главе 6 «Электрический монтаж».
6. Операторы должны иметь четкие инструкции о том, как необходимо действовать, если концентрация газа превышает аварийный уровень.
7. Демонтаж или ремонт оборудования следует производить только в безопасной зоне.
8. Тестовые газы могут быть токсичными и/или горючими. Соответствующие предупреждения см. в паспортах безопасности материалов.
9. ЗАПРЕЩАЕТСЯ сверлить отверстия в корпусе, так как это приведет к утрате защиты от взрывов.
10. В целях обеспечения электробезопасности ЗАПРЕЩАЕТСЯ эксплуатировать приборы в атмосфере, содержащей более 21 % кислорода.
11. Убедитесь, что болты, которыми крепится огнестойкий корпус, надежно затянуты. Крепежные болты изготовлены из специальной сертифицированной стали. Для этой цели следует использовать только болты, поставляемые Honeywell Analytics.
12. ЗАПРЕЩАЕТСЯ открывать корпус во взрывоопасной атмосфере.
13. При работе передатчик находится под высоким напряжением. Когда устройство вынимается из корпуса, давление сбрасывается.

ПРЕДУПРЕЖДЕНИЕ

14. ЗАПРЕЩАЕТСЯ вносить изменения в конструкцию кабелепровода и кабельных вводов, установленных на передатчике и приемнике Searchline Excel Plus. Однако, если возникает такая необходимость, они должны соответствовать применимым национальным нормам и правилам.
15. Энергия излучения и мощность передатчиков Searchline Excel Plus составляют менее 5 мВт/мм² и 15 мВт/мм² соответственно. Это считается безопасным для зрения.
16. Оборудование НЕ предназначено для установки на поверхностях, которые могут выполнять функции обогрева или охлаждения.
17. ЗАПРЕЩАЕТСЯ эксплуатировать приборы за пределами диапазона температур, указанного в разделе «Технические характеристики».
18. НЕ вскрывайте передние части корпуса. Это приведет к аннулированию гарантии. Передние части корпуса разрешается открывать только для проведения необходимого ремонта и технического обслуживания уполномоченным и квалифицированным специалистом.
19. НЕ модифицируйте и не изменяйте конструкцию продукта. Это приведет к нарушению соответствия основным требованиям безопасности и сертификации.
20. Установка, настройка и обслуживание должны выполняться только подготовленным персоналом. Всегда обращайтесь к руководству.
21. Доступ к внутренней части прибора при выполнении любых работ должен осуществляться только обученным персоналом.
22. Транспортный пластиковый колпачок перед вводом в эксплуатацию необходимо заменить на сертифицированные заглушки (например, вводы или заглушки). В противном случае транспортные колпачки могут стать источником возгорания. В стандартную комплектацию входит одна сертифицированная заглушка.
23. НЕ следует полагаться на местный визуальный индикатор в целях обеспечения безопасности.

ПРЕДОСТЕРЕЖЕНИЕ

1. Регулировать настройки детектора возможно только с помощью мобильного устройства с установленным приложением Honeywell Fixed Platform App через Bluetooth-подключение.
2. Ввод в эксплуатацию или контрольное испытание Searchline Excel Plus можно выполнять только после того, как устройство будет протестировано на соответствие устройства спецификациям.

ПРИМЕЧАНИЕ.

Если последнее соединение и синхронизация между приложением Honeywell Fixed Platform App и сервером были установлены **более 1 года назад**, в приложении отобразится предупреждение с запросом на подключение к Интернету и обновление сертификата безопасности. Это НЕ повлияет на работу прибора.

КОМПЛЕКТ ПОСТАВКИ

- 1 приемник Searchline Excel Plus (коробка №1)
- 1 передатчик Searchline Excel Plus (коробка №2)
- 1 универсальный монтажный кронштейн
- 1 пластиковый солнцезащитный козырек (опционально из нержавеющей стали)
- 1 крышка антенны
- 1 шестигранный ключ размером 10
- 1 шестигранный ключ размером 8
- 1 шестигранный ключ размером 5
- 1 шестигранный ключ размером 1,5
- 1 регистрационная анкета
- 1 краткое руководство (этот документ)

УСТАНОВКА

⚠ ПРЕДОСТЕРЕЖЕНИЕ

1. Перед открытием проверьте упаковку на наличие повреждений. Если упаковка порвана или имеет другие повреждения, немедленно сообщите об этом в транспортную компанию и поставщику. Задokumentируйте повреждение (например, сфотографируйте).
2. Аккуратно откройте упаковку, чтобы не повредить содержимое.
3. Осмотрите приемник и передатчик Searchline Excel Plus, а также крепление и солнцезащитный козырек на предмет повреждений. В случае обнаружения повреждений на каком-либо из предметов немедленно сообщите об этом в транспортную компанию и поставщику. Задokumentируйте повреждение (например, сфотографируйте).
4. В случае обнаружения повреждения выполните следующее.
 - a) Оставьте товары в оригинальной упаковке.
- 6) Не пытайтесь отремонтировать и не эксплуатируйте детектор до тех пор, пока поставщик не решит претензию о возмещении ущерба.
5. Установка, настройка и обслуживание должны выполняться только подготовленным и авторизованным персоналом.
6. НЕ открывайте передний корпус. Если передний корпус был открыт, гарантия на устройство аннулируется. Передние корпуса разрешается открывать только для проведения необходимого ремонта и технического обслуживания уполномоченным и квалифицированным специалистом.
7. ЗАПРЕЩАЕТСЯ вносить изменения в передний корпус или его компоненты, так как это может аннулировать гарантию и сертификацию для использования в опасных зонах. Передние корпуса разрешается открывать только для проведения необходимого ремонта и технического обслуживания уполномоченным и квалифицированным специалистом.
8. ЗАПРЕЩАЕТСЯ вносить какие-либо изменения в конструкцию детектора. Это приведет к аннулированию гарантии.
9. Открывайте и закрывайте крышку отсека электропроводки осторожно, чтобы не деформировать ее.
10. Установка, настройка и обслуживание должны выполняться только подготовленным и авторизованным персоналом.
11. Не допускайте попадания воды и пыли при открытии отсека проводки для защиты неэкранированных электронных контактов.
12. В случае ослабления болтов кронштейна надежно закрепите детектор. Случайно падение может привести к травме.
13. Перед сборкой проверьте стыкуемые поверхности (резьба, уплотнительные кольца). Убедитесь в отсутствии на них загрязнений.
14. Перед сборкой проверьте уплотнительные кольца, в случае повреждения замените их оригинальными деталями.
15. Устройство Searchline Excel Plus поставляется без кабельных вводов. Убедитесь, что все резьбовые соединения кабельного ввода закрыты подходящей заглушкой, чтобы защитить резьбу от повреждения и попадания воды. При установке транспортные заглушки кабельного ввода необходимо снять и заменить подходящими кабельными вводами, резьбовыми адаптерами или заглушками, которые соответствуют местным требованиям к использованию в опасных зонах.
16. Проверьте пригодность заглушки для использования на месте эксплуатации и убедитесь, что она соответствует местным и национальным нормам.
17. При монтаже проводки отключите питание приборов Searchline Excel Plus. ЗАПРЕЩАЕТСЯ прокладывать провода и устанавливать проводку при включенном питании.

⚠ ПРЕДОСТЕРЕЖЕНИЕ

Если токовая петля 4–20 мА не используется, между разъемами 4–20 мА+ (разъем 5) и 24 В пост. тока+ (разъем 8) должна быть установлена перемычка, а между разъемами 4–20 мА– (разъем 6) и 0 В пост. тока (разъем 9) должно быть подключено нагрузочное сопротивление. Рекомендуется использовать сопротивление 470 Ом, 1/4 Вт (от 250 до 400 Ом, если требуется связь по протоколу HART). В случае подобной конфигурации токовой петли 4–20 мА протокол HART по-прежнему можно использовать с портативным устройством HART, используя разъемы 20 и 21 внутри отсека проводов.

Устройство Searchline Excel Plus обычно устанавливается высоко на столб с помощью U-образных болтов, поставляемых в комплекте, и с защитой зоны установки. Универсальный монтажный кронштейн, поставляемый в комплекте, позволяет устанавливать устройство на плиту, столб или другую инфраструктуру предприятия. Все болты зафиксированы, чтобы не потерялись при установке.

Searchline Excel Plus имеет два кабельных ввода для упрощения подключения с резьбой M25 или 3/4" NPT. Провода подключаются к разъемам в соответствии со схемой подключения. Запасные провода необходимо подключать аналогичным образом. Электропроводка должна соответствовать местным, национальным нормам и требованиям компании. Не оставляйте оголенных проводов.

Инструкции по механической и электрической установке см. в **техническом руководстве**.

Техническое руководство можно загрузить на сайте www.sps.honeywell.com.

ВВОД В ЭКСПЛУАТАЦИЮ

ПРЕДОСТЕРЕЖЕНИЕ

1. Регулировать настройки детектора возможно только с помощью мобильного устройства с установленным приложением Honeywell Fixed Platform App через Bluetooth-подключение.
2. Ввод в эксплуатацию или контрольное испытание Searchline Excel Plus можно выполнять только после того, как устройство будет протестировано на соответствие устройства спецификациям.

1. Убедитесь, что устройства Searchline Excel Plus правильно установлены и подключены. Инструкции см. в разделе **Установка в техническом руководстве**.

2. Убедитесь, что устройства Searchline Excel Plus выровнены правильно. Инструкции см. в разделе **Выравнивание в техническом руководстве**.

3. Подключитесь к приложению **Honeywell Fixed Platform App** через Bluetooth.

4. Включите передатчик и приемник Searchline Excel Plus.

5. Выполните функциональную проверку и проверку целостности контура 4–20 мА. Инструкции см. в разделе **Ввод в эксплуатацию в техническом руководстве**.

6. Убедитесь, что устройства Searchline Excel Plus настроены в соответствии с рекомендациями, указанными в соответствующем документе обследования объекта.

7. При необходимости отрегулируйте настройки детектора с помощью приложения **Honeywell Fixed Platform App**.

8. Убедитесь, что защитные выходы Searchline Excel Plus работают правильно. Инструкции см. в разделе **Обслуживание в техническом руководстве**.

Техническое руководство можно загрузить на сайте www.sps.honeywell.com.

НАСТРАИВАЕМЫЕ ПАРАМЕТРЫ

В приложении **Honeywell Fixed Platform App** можно настроить следующие параметры.

- | | |
|--|---------------------------------|
| 1. Идентификатор детектора | 13. Интенсивность светодиода |
| 2. Режим работы | 14. Период тайм-аута блокировки |
| 3. Уровень блокировки | 15. Установить код доступа |
| 4. Уставка аварийного сигнала 1 – изменить | 16. Нормальный уровень |
| 5. Уставка аварийного сигнала 2 – добавить | 17. Фиксация сигнализации |
| 6. Уровень предупреждения | 18. Режим контура тока |
| 7. Уровень неисправности | 19. Опросный адрес HART |
| 8. Уровень выхода за пределы диапазона | 20. Реле неисправности |
| 9. Уровень аварийного сигнала 1 | 21. Реле аварийного сигнала 1 |
| 10. Уровень аварийного сигнала 2 | 22. Реле аварийного сигнала 2 |
| 11. Интервал проверочных испытаний | 23. Блок вывода показаний газа |
| 12. Режим светодиода | 24. Время отклика (1, 2, 3 с) |

СИГНАЛИЗАЦИЯ О СТАТУСЕ

Searchline Excel Plus оснащен заметным светодиодным индикатором состояния.

Дополнительную информацию см. в разделе **Эксплуатация в техническом руководстве**.

⚠ ПРЕДУПРЕЖДЕНИЕ

Поведение светодиодного индикатора состояния можно настроить. Если светодиодный индикатор состояния настроен иначе, чем установлено по умолчанию, значение его индикации может отличаться.

Работе без подключения Bluetooth	Цвет	Схема
Неисправность	Мигает желтым	По умолчанию
Блокировка	Светится желтым	По умолчанию
Предупреждение	Поочередно мигает желтым и зеленым	По умолчанию
Норма	Светится зеленым	По умолчанию
Норма	Мигает зеленым	Опция
Норма	Нет	Опция
Аварийный сигнал	Мигает красным	По умолчанию
Выход за пределы диапазона	Мигает красным	По умолчанию

Работа с подключением Bluetooth	Цвет	Схема
Неисправность	Мигает желтым	По умолчанию
Блокировка	Светится желтым	По умолчанию
Предупреждение	Поочередно мигает желтым и зеленым	По умолчанию
Норма	Светится синим	По умолчанию
Норма	Мигает синим	Опция
Аварийный сигнал	Мигает красным	По умолчанию
Выход за пределы диапазона	Мигает красным	По умолчанию
Подключение	Мигает синим	По умолчанию
Подключено	Светится синим	По умолчанию
Предупреждение	Попеременно мигает синим	По умолчанию

СИГНАЛИЗАЦИЯ СОСТОЯНИЯ КОНТУРА МА

Режим	Значение по умолчанию (мА)		Мин. значение (мА)	Макс. значение (мА)
	Дискретный режим	Пропорциональный режим		
Неисправность	1		0	3,6
Блокировка	2		1	3,6
Предупреждение	3		1	4
Норма	4	Пропорционально концентрации газа	4	20
Аварийный сигнал	20	Недоступно	4	20
Выход за пределы диапазона	21		20	22

ПЕРИОДИЧЕСКИЕ ПРОВЕРОЧНЫЕ ИСПЫТАНИЯ

Функциональность Searchline Excel Plus можно проверить с помощью функциональных испытательных фильтров (опция) или с помощью приложения Honeywell Fixed Platform App.

Для получения инструкций по проведению базовых и расширенных тестов см. раздел

Обслуживание в техническом руководстве.

Техническое руководство можно загрузить на сайте www.sps.honeywell.com.

ТЕХНИЧЕСКИЕ ХАРАКТЕРИСТИКИ

Доступные газы (газы с утвержденными характеристиками ^{1,2})	Searchline Excel Plus и Edge реагируют на широкий спектр углеводородных газов*: Метан ^{1,2} , этан ¹ , пропан ^{1,2} , бутан ¹ , пентан ¹ , гексан, этилен ¹ , пропилен ¹ . 1 Утверждено FM; 2 утверждено DNV Калибровка по умолчанию - универсальный углеводород**.	
Дополнительные газы	Калибровка для других газов не является обязательной, и ее следует проконсультироваться с Honeywell.	
Диапазон	Метан 0–5 LEL.m / 0–220 000 ppm.m Этан 0–5 LEL.m / 0–120 000 ppm.m Пропан 0–5 LEL.m / 0–85 000 ppm.m Бутан 0–5 LEL.m / 0–70 000 ppm.m Пентан 0–5 LEL.m / 0–55 000 ppm.m Гексан 0–5 LEL.m / 0–50 000 ppm.m Этилен 0–5 LEL.m / 0–115 000 ppm.m Пропилен 0–5 LEL.m / 0–100 000 ppm.m	
Рекомендуемые настройки аварийных сигналов	<u>Низкий 1 LEL.m:</u> <u>(и эквивалент ppm.m)</u> Метан 44 000 ppm.m Этан 24 000 ppm.m Пропан 17 000 ppm.m Бутан 14 000 ppm.m Пентан 11 000 ppm.m Гексан 10 000 ppm.m Этилен 23 000 ppm.m Пропилен 20 000 ppm.m	<u>Высокий 3 LEL.m:</u> <u>(и эквивалент ppm.m)</u> Метан 132 000 ppm.m Этан 72 000 ppm.m Пропан 51 000 ppm.m Бутан 42 000 ppm.m Пентан 33 000 ppm.m Гексан 30 000 ppm.m Этилен 69 000 ppm.m Пропилен 60 000 ppm.m
Рекомендуемая минимальная настройка сигнала тревоги	<u>0.5 LEL.m:</u> <u>(и эквивалент ppm.m)</u> Метан 22 000 ppm.m Этан 12 000 ppm.m Пропан 8500 ppm.m Бутан 7000 ppm.m Пентан 5500 ppm.m Гексан 5000 ppm.m Этилен 11 500 ppm.m Пропилен 10 000 ppm.m	
Длина пути	Searchline Excel Plus: 2–120 м (от 6–393 футов)	
Скорость срабатывания	Значение T90 менее 3 с	
Аналоговый выходной сигнал	4–20 мА: нормальная эксплуатация, 1 мА: неисправность*, 2 мА: блокировка, 3 мА: предупреждение, 21 мА: выход за пределы диапазона, *В случае отсутствия сигнала в течение 30 с Searchline Excel Plus будет отображать неисправность. Это значение можно запрограммировать. Чтобы соответствовать стандарту производительности FM, максимальное Время до блокировки составляет 200 с.	
Температура окружающей среды	От -55 °C до +75 °C (от -67 °F до +167 °F); расположение согласно DNVGL-CG-0339, класс В	
Диапазон температуры хранения	От -55 °C до +75 °C (от -67 °F до +167 °F); расположение согласно DNVGL-CG-0339, класс В	
Питание	24 В постоянного тока номинальное (18–32 В постоянного тока)	

* Searchline Excel Plus & Edge реагирует на большинство углеводородных газов, поскольку большинство из них поглощают ИК-излучение с требуемой длиной волны.

** Калибровка универсального углеводорода охватывает диапазон конкретных, но разных газов в рамках одной калибровки, которая соответствует требованиям стандарта производительности.

ТЕХНИЧЕСКИЕ ХАРАКТЕРИСТИКИ

Потребляемая мощность (средний PMS)	<p>Передатчик, для окружающей рабочей температуры: От -55 °C (-67 °F) до -30 °C (-22 °F) 11,8 Вт От -30 °C (-22 °F) до +30 °C (+86 °F) 5,6 Вт выше +30 °C (+86 °F) 3,8 Вт</p> <p>Ресивер, для окружающей рабочей температуры: От -55 °C (-67 °F) до -30 °C (-22 °F) 7,4 Вт От -30 °C (-22 °F) до +30 °C (+86 °F) 4,8 Вт выше +30 °C (+86 °F) 3,0 Вт</p> <p>Подробную информацию см. В разделе «Электрический монтаж» в техническом руководстве.</p>	
Энергопотребление при холодном пуске / нагреве	<p>Нагрев длится ок. 20 мин для передатчика и приемника</p> <p>Передатчик: 17 Вт</p> <p>Приемник: 10 Вт при температуре окружающей среды выше -30 °C (-22 °F) 15 Вт при температуре окружающей среды ниже -30 °C (-22 °F) (включен обогреватель)</p>	
Выходные сигналы	4–20 мА для HART, реле неисправности, реле аварийного сигнала 1, реле аварийного сигнала 2, Modbus, Bluetooth* (диапазон до 20 м (66 футов) – зависит от мобильного устройства и условий рабочей среды)	
Выходы реле	Макс. 32 В постоянного/переменного тока, макс. резистивная нагрузка 2 А	
Пусковой ток	Передатчик: 0,5 А в течение менее 20 мс Приемник: 0,3 А в течение менее 20 мс	
Влажность	0–99 % отн. влажности (без конденсации), расположение согласно DNVGL-CG-0339, класс В	
Давление	91,5–105,5 кПа (915–1055 мбар, без компенсации)	
Повторяемость	<p><u>±0,4 LEL.m:</u> (и эквивалент ppm.m)</p> <p>Метан ±17 600 ppm.m Этан ±9600 ppm.m Пропан ±6800 ppm.m Бутан ±5600 ppm.m Пентан ±4400 ppm.m Гексан ±4000 ppm.m Этилен ±9200 ppm.m Пропилен ±8000 ppm.m Бутадиен ±5600 ppm.m</p>	
Температурный дрейф (от -55 °C до +75 °C) (от -67 °F до +167 °F)	<p><u>±0,2 LEL.m при нуле:</u> (и эквивалент ppm.m)</p> <p>Метан ±8800 ppm.m Этан ±4800 ppm.m Пропан ±3400 ppm.m Бутан ±2800 ppm.m Пентан ±2200 ppm.m Гексан ±2000 ppm.m Этилен ±4600 ppm.m Пропилен ±4000 ppm.m</p>	<p><u>±0,5 LEL.m при 3LEL.m:</u> (и эквивалент ppm.m)</p> <p>Метан ±22 000 ppm.m при 132 000 ppm.m Этан ±12 000 ppm.m при 72 000 ppm.m Пропан ±8500 ppm.m при 51 000 ppm.m Бутан ±7000 ppm.m при 42 000 ppm.m Пентан ±5500 ppm.m при 33 000 ppm.m Гексан ±5000 ppm.m при 30 000 ppm.m Этилен ±11 500 ppm.m при 69 000 ppm.m Пропилен ±10 000 ppm.m при 60 000 ppm.m</p>
Время разогрева	Менее 5 минут (в рабочем состоянии), менее 1 часа (в режиме полной стабилизации)	
Внутренний аккумуляторный элемент	TLH-2450, срок службы 10 лет (замена только в авторизованном сервисном центре)	
Масса	Searchline Excel Plus: Rx 6,1 кг (13,4 фунта), Tx 6,0 кг (13,2 фунта) Универсальный монтажный кронштейн: 3,1 кг (6,9 фунта), нержавеющая сталь Адаптер монтажной пластины: 3,71 кг (8,18 фунта), нержавеющая сталь	
Размеры	Передатчик и приемник Searchline Excel Plus: диаметр 103 мм x 325 мм x 180 мм (диаметр 4,06" x 12,8" x 7,09") Универсальный монтажный кронштейн: 165 x 165 x 130 мм (6,5" x 6,5" x 5,12") Адаптер монтажной пластины: 210 x 210 x 127 мм (8,23" x 8,23" x 5")	

ТЕХНИЧЕСКИЕ ХАРАКТЕРИСТИКИ

<p>Степень защиты</p>	<p>IP 66/67 (тип 4X, соответствует NEMA 250) ^{1,2}</p> <p>¹ Классы IP / или коррозионной стойкости относятся к защите корпуса прибора. Они не означают, что прибор обнаружит газ во время и сразу после воздействия этих условий.</p> <p>² Обратитесь к разделу «Техническое обслуживание» в Техническом руководстве для получения рекомендаций и требований к техническому обслуживанию в отношении затопления и затопления.</p> <p>Устойчивость к солевому туману и серной атмосфере (15–60 минут воздействия солевого воздуха/тумана; 15–60 минут в серной атмосфере)</p>
<p>Принадлежности</p>	<p>2331B1020 Большой регулируемый монтажный кронштейн 2017B0113 Козырек от солнца из нержавеющей стали 2017B0299 Объем выравнивания 2017B0218 Функциональные испытательные фильтры Удлинитель функциональных испытательных фильтров 2017B0185 Ячейка для испытания газом Мобильный телефон для опасных зон Приложение Honeywell Fixed Platform App¹</p> <p>¹ тестировался с мобильным телефоном Ecom Smart EX02. Другие телефоны и планшеты под управлением Android 5.1 или выше могут работать, но Honeywell не гарантирует полную функциональность.</p>
<p>Запчасти</p>	<p>2331B1100 Запасная пластина для универсального монтажного кронштейна 2017B0112 Запасной стандартный солнцезащитный козырек (пластик) 2331B1150 Запасной набор клеммных колодок (5 шт.) 2331B1160 Запасная крышка антенны (5 шт.)</p>
<p>Соответствие стандартам</p>	<p>Основные стандарты: EN 50270: (ЭМС) IEC/EN 61000-6-4; директива о радиоборудовании 2014/53/EU IEC/EN/UL/CSA 61010 (электробезопасность) FCC/IC RoHS, RoHS Китая</p>
<p>Стандарты безопасности</p>	<p>cULus: Cl. I, Div.1, Gr. B,C,D, T4 (Ta -55°C to +75°C) Cl. II, Div.1, Gr. E,F,G, T4 (Ta -55°C to +55°C) Cl. III Cl. I, Zn. 1 AEx db ia op is IIC T4 Gb (Ta -55°C to +75°C) Cl. I, Zn. 1 AEx db eb ia op is IIC T4 Gb (Ta -55°C to +75°C) Zn. 21 AEx ia op is tb IIIC T100°C Db (Ta -55°C to +55°C) Ex db ia op is IIC T4 Gb X (Ta -55°C to +75°C) Ex db eb ia op is IIC T4 Gb X (Ta -55°C to +75°C) Ex ia op is tb IIIC T100°C Db X (Ta -55°C to +55°C) Um = 250 Vrms</p> <p>ДЕМКО 20 ATEX 2281X / IECEx UL 20.0009X / UL21UKEX2047X (Ex d install) Ex db ia op is IIC T4 Gb (Ta -55°C to +75°C) or (Ex de install) Ex db eb ia op is IIC T4 Gb (Ta -55°C to +75°C) Ex ia op is tb IIIC T100°C Db (Ta -55°C to +75°C) Um = 250 Vrms.</p> <p>Сертификаты производительности FM 60079-29-4 / UL 60079-29-4</p> <p>Функциональная безопасность (SIL) SIL 2 сертифицирован TÜV (SÜD) согласно EN61508</p> <p>Основные утверждения EN 50270: (ЭМС) IEC / EN 61000-6-4; Директива по радиоборудованию 2014/53 / EC IEC / EN / UL / CSA 61010 (Электробезопасность); FCC / IC; RoHS, Китай RoHS</p>

ГАРАНТИЙНЫЕ ОБЯЗАТЕЛЬСТВА

Компания Honeywell Analytics дает гарантию на передатчик и приемник детектора горючих газов Searchline Excel Plus с открытым оптическим трактом сроком на 5 лет в отношении дефектов деталей и изготовления.

Данная гарантия не распространяется на расходные материалы, батареи, предохранители, нормальный износ или повреждения, возникшие в результате несчастного случая, неправильного обращения, неправильной установки, несанкционированного использования, модификации или ремонта, а также вызванные окружающей средой, ядами, загрязнителями или ненадлежащими условиями эксплуатации.

Данная гарантия не распространяется на датчики или компоненты, на которые распространяются отдельные гарантии, а также на кабели и компоненты сторонних производителей.

Ни при каких обстоятельствах Honeywell Analytics не несет ответственности за какой-либо ущерб или травмы любого вида или характера, независимо от их причин, вызванные неправильным обращением или использованием данного оборудования.

Ни при каких обстоятельствах компания Honeywell Analytics не несет ответственности за любые неисправности или повреждения оборудования, включая (помимо прочего) случайные, прямые, косвенные, особые убытки, убытки, понесенные в связи с особыми обстоятельствами, убытки, связанные с упущенной выгодой, перерывом в деятельности, утратой деловой информации, а также прочий материальный ущерб, возникший в результате неправильной установки или использования данного оборудования.

Любые претензии по данной гарантии на продукцию Honeywell Analytics должны быть предъявлены в течение гарантийного срока и как можно скорее после обнаружения дефекта. Чтобы зарегистрировать претензию, свяжитесь с местным представителем службы Honeywell Analytics.

Это краткое содержание. Полные условия гарантии см. в **Общем заявлении Honeywell об ограниченной гарантии на продукт**, которое доступно по запросу.

ПРИМЕЧАНИЕ.

Сохраните регистрационную анкету для дальнейшего использования.

Searchline Excel™ Plus 是一款第三代开路式易燃碳氢化合物气体泄漏探测器 (OPFGD)，设计用于检测是否存在多种易燃碳氢化合物气体并发出警报。Searchline Excel Plus 是一款先进的 OPFGD 探测器，适用于安全应用，覆盖范围为 2 米至 120 米 (6 至 393 英尺)。Searchline Excel Plus 易燃碳氢化合物气体探测器包括一对协同工作的发射器/接收器，可检测二者之间的管线中是否存在多种易燃碳氢化合物气体。Searchline Excel Plus 可在最恶劣的条件下进行可靠的检测，甚至可以穿透浓雾，从而提供极高的正常运行时间。该产品随附的安装架和遮阳罩，可构成一个完整系统，并提供对准和测试附件。

作为标配，Searchline Excel Plus 提供本地视觉状态指示以及 4-20 mA 以及 HART® 和 Modbus® 输出。该产品具有蓝牙®界面，用于使用霍尼韦尔固定平台应用程序。在适当支持蓝牙的设备上进行配置和维护。

Searchline Excel Plus 已获得 ATEX 和 IECEx 批准，可在 1 区 (气体) 或 21 区 (粉尘) 危险区域使用，并获得 cULus 批准，可在 I 类 1 区或 II 类 1 区或 III 类 1 区位置使用。

Searchline Excel Plus 采用喷漆不锈钢材质，具有两个电缆入口，可使用 M25 或 3/4" NPT 选项轻松布线。

警告

1. Searchline Excel Plus 开路式易燃气体探测器经过认证，可用于有潜在危险的区域。仪器的安装、操作和维护必须符合危险区域的安全和操作要求。
2. 安装必须符合相关国家或地区有关部门认可的标准。对于欧洲，请参阅 EN 60079-14 和 EN 60079-29-2。
3. 对于在英国安装的设备，应严格遵守《在潜在爆炸性环境中使用的电气设备的选择、安装和维护》操作规范。BS EN 60079-14 和 IEC 60079-14 中给出了一般建议。请参阅英国的 BS EN 60079-29-2 和 IEC 60079-29-2，或适用的地方或国家/地区法规。
4. 对于北美地区的安装工作，应严格遵守《美国国家电气规范》(NFPA 70) 或更新版本。
5. Searchline Excel Plus 开路式易燃气体探测器的发射器和接收器必须正确接地，以防止触电并最大限度减少电干扰。有关电气安装设计的注意事项，请参见第 6 章“电气安装”。
6. 操作员必须完全了解在气体浓度超过警报水平时要采取的措施。
7. 只能在安全区域内拆卸或修理设备。
8. 测试气体可能有毒和/或可燃。如需了解相关的警告，请参阅《材料安全表》。
9. 请勿在外壳上钻孔，否则会造成防爆功能失效。
10. 为了保持电气安全，不得在氧气含量超过 21% 的环境中操作仪器。
11. 确保固定防火外壳的螺栓已完全拧紧。所使用的固定螺栓由专门认证等级的钢材制成。为此，仅安装霍尼韦尔 Analytics 公司提供的螺栓。
12. 请勿在可能存在爆炸性气体的情况下打开外壳。
13. 运行时，发射器单元包含高电压。当从外壳中取出设备时，就会放出高压电。
14. 不得修改 Searchline Excel Plus 发射器和接收器上安装的导管和电缆密封套。但是，如果有必要进行修改，则修改工作必须遵守相关的国家/地区操作规范。
15. Searchline Excel Plus 发射器发出的辐照度和功率分别小于 5 mW/mm² 和 15 mW/mm²。根据规定，此级别对眼睛安全。

警告

16. 此设备不适合安装在可能用作加热或冷却源的表面上。
17. 不得在“规范”部分规定的温度范围外操作仪器。
18. 请勿打开前外壳。这样做会导致保修失效。只能由获得授权的有资质人员打开外壳，执行建议的维修。
19. 请勿修改或改动产品的结构，因为基本安全和认证要求可能会失效。
20. 只能由经过培训的人员进行安装、设置和维护。请始终参考手册。
21. 进行任何工作时，都只能由经过培训的人员检修产品内部。
22. 在调试之前，必须用经过适当认证的闭合器（例如封套或限位塞）替换随附的塑料运输盖。否则可能会形成潜在着火源。标配一个经过认证的限位塞。
23. 请勿将本地视觉指示器用于安全相关目的。

注意

1. 如果要通过蓝牙连接调整探测器设置，则必须使用安装了霍尼韦尔固定平台应用程序的移动设备。
2. 应对 Searchline Excel Plus 进行测试，验证其是否根据其规格运行，以完成试运行或验证测试。

注：

如果霍尼韦尔固定平台应用程序与服务器之间的上一次连接和同步是在**1年前**建立的，则应用程序中将显示警告消息，请求建立 Internet 连接并续订安全证书。这不会影响仪器的操作。

包装内容

- 1 个 Searchline Excel Plus 接收器（1 号箱）
- 1 个 Searchline Excel Plus 发射器（2 号箱）
- 1 个通用安装支架
- 1 个塑料遮阳罩（可选择不锈钢材质）
- 1 个天线盖
- 1 个内六角扳手，10 号
- 1 个内六角扳手，8 号
- 1 个内六角扳手，5 号
- 1 个内六角扳手，1.5 号
- 1 张登记表
- 1 本快速入门指南（本文档）

安装

⚠注意

1. 打开包装之前，请检查是否损坏。 如果包装上有撕裂、破损或其他损坏的迹象，请立即通知运输公司和供应商。 以适当的方式（例如照片）记录损坏情况。
2. 请小心打开包装，以免损坏内容物。
3. 检查 Searchline Excel Plus 接收器和发射器以及底座和遮阳罩是否损坏。 如果发现任何物品有任何形式的损坏，请立即通知运输公司和供应商。 以适当的方式（例如照片）记录损坏情况。
4. 在发生损坏的情况下：
 - a) 将物品留在原始包装中
 - b) 在供应商解决损坏索赔问题之前，请勿尝试修理或操作探测器。
5. 只能由经过培训且获得授权的人员进行安装、设置和维护。
6. 请勿打开前外壳。 如果装置的前外壳打开，则保修失效。 只能由获得授权的有资质人员打开外壳，执行建议的维修。
7. 请勿修改前机箱或部件，因为这会影响危险场所认证并导致保修失效。 只能由获得授权的有资质人员打开外壳，执行建议的维修。
8. 请勿以任何方式修改探测器的构造，因为这将导致保修失效。
9. 小心地打开和关闭布线舱盖，以避免发生变形。
10. 只能由经过培训且获得授权的人员进行安装、设置和维护。
11. 打开布线舱时，避免水和灰尘进入，以保护无屏蔽的电子触点。
12. 松开固定螺栓时，请固定住探测器。 意外松动可能会造成伤害。
13. 组装前检查配合表面（螺纹、O 形密封圈）。 确保它们清洁且无污染物。
14. 组装前检查 O 形密封圈，如果原装零件损坏，则进行更换。
15. Searchline Excel Plus 不随附电缆密封套。 确保使用合适的塞子密封所有电缆入口螺纹，以防止进水 and 螺纹损坏。 在安装时，必须取下电缆入口运输塞，并用合适的电缆密封套、螺纹适配器或塞子进行替换，以满足当地的危险场所要求。
16. 检查塞子是否适合其现场最终用途，确保其符合地方和国家/地区法规。
17. 在安装接线时，请断开 Searchline Excel Plus 仪器的电源。 请勿在通电状态下安装电线或进行布线。

⚠注意

如果不使用 420 mA 电流回路，则必须在 420 mA+（端子 5）与 24V DC+（端子 8）之间连接跳线，且必须在 420 mA（端子 6）与 0V DC（端子 9）之间连接负载电阻。建议使用 470 Ohm、1/4 W 电阻（250 至 400 Ω ，前提是需要 HART）。通过以这种方式 配置 420 mA 电流回路，HART 设施仍可以与采用布线舱内端子 20 和 21 的 HART 手持设备一起使用。

Searchline Excel Plus 正常情况下应安装在高处，通常使用随附的 U 螺栓安装在高杆上，覆盖要保护的区域。随附的通用安装支架可用于将产品安装在板、杆或其他工厂基础设施上。 保存好所有螺栓，避免在安装过程中丢失。Searchline Excel Plus 有两个电缆入口，可使用 M25 或 3/4" NPT 选件轻松布线。 按照接线图，将电线端接在端子接头上。 备用导线必须恰当端接。 接线必须符合当地、国家/地区以及公司的规定。 必须避免电线暴露或裸露。 参考《**技术手册**》，获取有关机械和电气安装的说明。

您可以从以下网站下载技术手册：www.sps.honeywell.com。

试运行

注意

1. 如果要通过蓝牙连接调整探测器设置，则必须使用安装了霍尼韦尔固定平台应用程序的移动设备。
2. 应对 Searchline Excel Plus 进行测试，验证其是否根据其规格运行，以完成试运行或验证测试。

1. 检查 Searchline Excel Plus 单元是否已正确安装和接线。请参考《**技术手册**》的**安装**部分以获取说明。
2. 检查 Searchline Excel Plus 单元从光学角度是否正确对齐。请参考《**技术手册**》的**对准**部分以获取说明。
3. 通过蓝牙连接到**霍尼韦尔固定平台应用程序**。
4. 为 Searchline Excel Plus 发射器和接收器单元通电。
5. 执行功能检查和 4 - 20 mA 环路完整性测试。请参考《**技术手册**》的**调试**部分以获取说明。
6. 检查 Searchline Excel Plus 单元是否按照相关现场测量文档的建议进行了配置。
7. 如有必要，使用 **霍尼韦尔固定平台应用程序**调整探测器设置。
8. 检查 Searchline Excel Plus 安全输出是否正常工作。请参考《**技术手册**》的**维护**部分以获取说明。

您可以从以下网站下载技术手册：www.sps.honeywell.com

用户可配置选项

霍尼韦尔固定平台应用程序可用于调整以下用户可配置选项：

- | | |
|------------------|--------------------|
| 1. 探测器 ID | 13. LED 强度 |
| 2. 操作模式 | 14. 抑制超时时间 |
| 3. 抑制级别 | 15. 设置访问代码 |
| 4. 报警 1 设定点 - 修改 | 16. 正常水平 |
| 5. 报警 2 设定点 - 添加 | 17. 报警门锁 |
| 6. 警告级别 | 18. 回路电流模式 |
| 7. 故障级别 | 19. HART Poll 地址 |
| 8. 超范围级别 | 20. 故障继电器 |
| 9. 警报 1 级别 | 21. 报警 1 继电器 |
| 10. 警报 2 级别 | 22. 报警 2 继电器 |
| 11. 验证试验间隔 | 23. 气体读数输出单元 |
| 12. LED 模式 | 24. 响应时间 (1、2、3 秒) |

状态信号

Searchline Excel Plus 配备高可视性 LED 状态指示灯。

请参阅《技术手册》的**操作**部分，了解更多信息。



警告

LED 状态指示灯的行为可以进行配置。如果 LED 状态指示灯的配置与默认设置不同，则可能指示与其他输出不同的状态。

无需蓝牙的操作	颜色	默认方案
故障	黄色闪烁	默认
抑制	黄色常亮	默认
警告	黄色闪烁, 绿色交替亮起	默认
正常	绿色常亮	默认
正常	绿色闪烁	可选
正常	无	可选
报警	红色闪烁	默认
超范围	红色闪烁	默认

使用蓝牙进行 操作	颜色	默认方案
故障	黄色闪烁	默认
抑制	黄色常亮	默认
警告	黄色闪烁, 绿色交替亮起	默认
正常	蓝色常亮	默认
正常	蓝色闪烁	可选
报警	红色闪烁	默认
超范围	红色闪烁	默认
正在连接	蓝色闪烁	默认
已连接	蓝色常亮	默认
警告	蓝色交替	默认

mA 回路状态信号

模式	默认值 (mA)		最小值 (mA)	最大值 (mA)
	离散模式	比例模式		
故障	1		0	3.6
抑制	2		1	3.6
警告	3		1	4
正常	4	与气体浓度成正比	4	20
报警	20	不适用	4	20
超范围	21		20	22

定期验证试验

可以使用功能测试过滤器（可选）或结合使用 Honeywell 固定平台应用程序来验证 Searchline Excel Plus 功能。请参考《技术手册》的**维护**部分，获取关于如何执行基础测试和高级测试的说明。

您可以从以下网站下载技术手册：www.sps.honeywell.com。

规格

可用气体 (性能许可的气体 ^{1,2})	Searchline Excel Plus & Edge 将响应各种碳氢化合物气体*: 甲烷 ^{1,2} 、乙烷 ¹ 、丙烷 ^{1,2} 、丁烷 ¹ 、戊烷 ¹ 、己烷、乙烯 ¹ 、丙烯 ¹ 、 ¹ 通过 FM 性能认证; ² 通过 DNV 认证 默认校准为通用碳氢化合物**																			
可选气体	对其他气体的校准是可选的, 应向霍尼韦尔咨询。																			
范围	甲烷 0-5 LEL.m / 0-220,000 ppm.m 乙烷 0-5 LEL.m / 0-120,000 ppm.m 丙烷 0-5 LEL.m / 0-85,000 ppm.m 丁烷 0-5 LEL.m / 0-70,000 ppm.m 戊烷 0-5 LEL.m / 0-55,000 ppm.m 己烷 0-5 LEL.m / 0-50,000 ppm.m 乙烯 0-5 LEL.m / 0-115,000 ppm.m 丙烯 0-5 LEL.m / 0-100,000 ppm.m																			
推荐报警设置	<table style="width: 100%; border-collapse: collapse;"> <thead> <tr> <th style="text-align: left; border-bottom: 1px solid black;">低 1 LEL.m: (和等效的ppm.m)</th> <th style="text-align: left; border-bottom: 1px solid black;">高 3 LEL.m: (和等效的ppm.m)</th> </tr> </thead> <tbody> <tr> <td>甲烷 44,000 ppm.m</td> <td>甲烷 132,000 ppm.m</td> </tr> <tr> <td>乙烷 24,000 ppm.m</td> <td>乙烷 72,000 ppm.m</td> </tr> <tr> <td>丙烷 17,000 ppm.m</td> <td>丙烷 51,000 ppm.m</td> </tr> <tr> <td>丁烷 14,000 ppm.m</td> <td>丁烷 42,000 ppm.m</td> </tr> <tr> <td>戊烷 11,000 ppm.m</td> <td>戊烷 33,000 ppm.m</td> </tr> <tr> <td>己烷 10,000 ppm.m</td> <td>己烷 30,000 ppm.m</td> </tr> <tr> <td>乙烯 23,000 ppm.m</td> <td>乙烯 69,000 ppm.m</td> </tr> <tr> <td>丙烯 20,000 ppm.m</td> <td>丙烯 60,000 ppm.m</td> </tr> </tbody> </table>		低 1 LEL.m: (和等效的ppm.m)	高 3 LEL.m: (和等效的ppm.m)	甲烷 44,000 ppm.m	甲烷 132,000 ppm.m	乙烷 24,000 ppm.m	乙烷 72,000 ppm.m	丙烷 17,000 ppm.m	丙烷 51,000 ppm.m	丁烷 14,000 ppm.m	丁烷 42,000 ppm.m	戊烷 11,000 ppm.m	戊烷 33,000 ppm.m	己烷 10,000 ppm.m	己烷 30,000 ppm.m	乙烯 23,000 ppm.m	乙烯 69,000 ppm.m	丙烯 20,000 ppm.m	丙烯 60,000 ppm.m
低 1 LEL.m: (和等效的ppm.m)	高 3 LEL.m: (和等效的ppm.m)																			
甲烷 44,000 ppm.m	甲烷 132,000 ppm.m																			
乙烷 24,000 ppm.m	乙烷 72,000 ppm.m																			
丙烷 17,000 ppm.m	丙烷 51,000 ppm.m																			
丁烷 14,000 ppm.m	丁烷 42,000 ppm.m																			
戊烷 11,000 ppm.m	戊烷 33,000 ppm.m																			
己烷 10,000 ppm.m	己烷 30,000 ppm.m																			
乙烯 23,000 ppm.m	乙烯 69,000 ppm.m																			
丙烯 20,000 ppm.m	丙烯 60,000 ppm.m																			
建议的最小报警设置	<table style="width: 100%; border-collapse: collapse;"> <thead> <tr> <th style="text-align: left; border-bottom: 1px solid black;">0.5 LEL.m: (和等效的ppm.m)</th> </tr> </thead> <tbody> <tr> <td>甲烷 22,000 ppm.m</td> </tr> <tr> <td>乙烷 12,000 ppm.m</td> </tr> <tr> <td>丙烷 8,500 ppm.m</td> </tr> <tr> <td>丁烷 7,000 ppm.m</td> </tr> <tr> <td>戊烷 5,500 ppm.m</td> </tr> <tr> <td>己烷 5,000 ppm.m</td> </tr> <tr> <td>乙烯 11,500 ppm.m</td> </tr> <tr> <td>丙烯 10,000 ppm.m</td> </tr> </tbody> </table>		0.5 LEL.m: (和等效的ppm.m)	甲烷 22,000 ppm.m	乙烷 12,000 ppm.m	丙烷 8,500 ppm.m	丁烷 7,000 ppm.m	戊烷 5,500 ppm.m	己烷 5,000 ppm.m	乙烯 11,500 ppm.m	丙烯 10,000 ppm.m									
0.5 LEL.m: (和等效的ppm.m)																				
甲烷 22,000 ppm.m																				
乙烷 12,000 ppm.m																				
丙烷 8,500 ppm.m																				
丁烷 7,000 ppm.m																				
戊烷 5,500 ppm.m																				
己烷 5,000 ppm.m																				
乙烯 11,500 ppm.m																				
丙烯 10,000 ppm.m																				
路径长度	Searchline Excel Plus: 2 米至 120 米 (6 至 393 英尺)																			
反应速度	T90 少于 3 秒																			
模拟输出信号	4~20 mA 正常工作, 1 mA 故障*, 2 mA 抑制, 3 mA 警告, 21 mA 超范围, *Searchline Excel Plus 将在 30 秒没有信号后指示故障。 该值可以进行编程。 为符合 FM 性能认证, 阻塞时间的最大值为 200 秒。																			
环境工作温度	-55° C 至 +75° C (-67° F 至 +167° F); DNVGL-CG-0339 位置 B 级																			
存储温度范围	-55° C 至 +75° C (-67° F 至 +167° F); DNVGL-CG-0339 位置 B 级																			
电源	标称 24 Vdc (18 Vdc 至 32 Vdc)																			

* Searchline Excel Plus & Edge 将响应大多数碳氢化合物气体, 因为大多数气体会吸收所需波长的IR。

** 通用碳氢化合物的校准在满足性能标准要求的一次校准中涵盖了一系列特定但不同的气体。

规格

功耗 (平均 RMS)	变送器 , 用于环境温度: -55° C (-67° F) 至 -30° C (-22° F) 11.8 W -30° C (-22° F) 至 +30° C (+86° F) 5.6 W 高于 +30° C (+86° F) 3.8 W 接收器 , 用于环境温度: -55° C (-67° F) 至 -30° C (-22° F) 7.4 W -30° C (-22° F) 至 +30° C (+86° F) 4.8 W 高于 +30° C (+86° F) 3.0 W 有关完整详细信息, 请参阅技术手册中的电气安装。	
冷启动/加热功耗	加热持续约 发射器和接收器均为20分钟 发射器: 17 W 接收器: 10 W 环境温度 > -30° C (-22° F) 时为 15 W 环境温度 ≤ -30° C (-22° F) 时为 (加热器处于工作状态)	
输出信号	4 ~ 20 mA, 含 HART、故障继电器、报警 1 继电器、报警 2 继电器、Modbus、蓝牙® (范围最大 20 米 (66 英尺), 取决于移动设备和环境条件)	
继电器输出	最高 32 Vdc/ac, 最大 2 A 电阻负载	
浪涌电流	发射器: 0.5 A 在不到20毫秒的时间内 接收器: 0.3 A 在不到20毫秒的时间内	
湿度	0 = 99 % RH 非冷凝, DNVGL-CG-0339 位置 B 类	
压力	91.5-105.5 kPa (915-1055 mBar, 无补偿)	
可重复性	<u>±0.4 LEL.m: (和等效的ppm.m)</u> 甲烷 ±17,600 ppm.m 乙烷 ±9,600 ppm.m 丙烷 ±6,800 ppm.m 丁烷 ±5,600 ppm.m 戊烷 ±4,400 ppm.m 己烷 ±4,000 ppm.m 乙烯 ±9,200 ppm.m 丙烯 ±8,000 ppm.m	
温度漂移 (-55 °C 至 +75 °C) (-67 °F 至 +167 °F)	<u>±0.2 LEL.m @ 0:</u> <u>(和等效的ppm.m)</u> 甲烷 ±8,800 ppm.m 乙烷 ±4,800 ppm.m 丙烷 ±3,400 ppm.m 丁烷 ±2,800 ppm.m 戊烷 ±2,200 ppm.m 己烷 ±2,000 ppm.m 乙烯 ±4,600 ppm.m 丙烯 ±4,000 ppm.m	<u>±0.5 LEL.m @ 3LEL.m:</u> <u>(和等效的ppm.m)</u> 甲烷 ±22,000 ppm.m @ 132,000 ppm.m 乙烷 ±12,000 ppm.m @ 72,000 ppm.m 丙烷 ±8,500 ppm.m @ 51,000 ppm.m 丁烷 ±7,000 ppm.m @ 42,000 ppm.m 戊烷 ±5,500 ppm.m @ 33,000 ppm.m 己烷 ±5,000 ppm.m @ 30,000 ppm.m 乙烯 ±11,500 ppm.m @ 69,000 ppm.m 丙烯 ±10,000 ppm.m @ 60,000 ppm.m
预热时间	少于 5 分钟 (运行), 少于 1 小时 (完全稳定)	
内部电池	TLH-2450, 10 年寿命 (仅由授权服务方更换)	
重量	Searchline Excel Plus: 接收器 6.1 公斤 (13.4 磅), 发射器 6.0 公斤 (13.2 磅) 通用安装支架: 3.1 千克 (6.9 磅), 不锈钢 安装板适配器: 3.71 千克 (8.18 磅), 不锈钢	
尺寸	Searchline Excel Plus 发射器和接收器: 103 (直径) x 325 x 180 毫米 (4.06 (直径) x 12.8 x 7.09 英寸) 通用安装支架: 165 x 165 x 130 毫米 (6.5 x 6.5 x 5.12 英寸) 安装板适配器: 210 x 210 x 127 毫米 (8.23 x 8.23 x 5 英寸)	

规格

防护等级	<p>IP 66/67 (4X 型, 符合 NEMA 250)^{1,2}</p> <p>¹ IP 和/或耐腐蚀等级是指仪器外壳保护。它们并不意味着仪器将在暴露于这些条件期间和之后立即检测气体</p> <p>² 有关洪水和洪水的建议和维护要求, 请参阅技术手册中的维护。</p> <p>耐盐雾和含硫大气 (暴露在盐雾中15-60 分钟, 暴露在含硫大气中 15-60 分钟)</p>
附件	<p>2331B1020 大型可调节安装支架</p> <p>2017B0113 不锈钢遮阳板</p> <p>2017B0299 对准范围</p> <p>2017B0218 功能测试过滤器</p> <p>功能测试过滤器延长器</p> <p>2017B0185 充气测试单元</p> <p>危险区域手机</p> <p>霍尼韦尔固定平台应用程序¹</p> <p>¹ 使用 Ecom Smart EXO2 手机测试。其他运行 Android 5.1 或更高版本的手机和平板电脑也可以使用, 但霍尼韦尔不保证全部功能。</p>
备件	<p>2331B1100 备用通用安装支架板</p> <p>2017B0112 备用标准遮阳罩 (塑料)</p> <p>2331B1150 备用接线盒组 (5 件装)</p> <p>2331B1160 备用天线盖 (5 件装)</p>
标准遵从	<p>核心认证:</p> <p>EN 50270: (EMC)</p> <p>IEC/EN 61000-6-4; 无线电设备指令 2014/53/EU</p> <p>IEC/EN/UL/CSA 61010 (电气安全)</p> <p>FCC / IC</p> <p>RoHS, 中国 RoHS</p>
安全认证	<p>cULus:</p> <p>1级1组 B,C,D,T4 (Ta -55°C至+ 75°C)</p> <p>第2类, 第1组, Gr. E,F,G,T4 (Ta -55°C至+ 55°C)</p> <p>3级</p> <p>1类1区AEx db ia op是IIC T4 Gb (Ta -55°C至+ 75°C)</p> <p>1类1区AEx数据库是IIC T4 Gb (Ta -55°C至+ 75°C)</p> <p>2I区AEx ia op是tb IIIC T100°C Db (Ta -55°C至+ 55°C)</p> <p>Ex db ia op是IIC T4 Gb X (Ta -55°C至+ 75°C)</p> <p>防爆是IIC T4 Gb X (Ta -55°C至+ 75°C)</p> <p>Ex ia op is tb IIIC T100°C Db X (Ta -55°C至+ 55°C)</p> <p>Um = 250 Vrms</p> <p>DEMKO 20 ATEX 2281X / IECEx UL 20.0009X / UL21UKEX2047X</p> <p>(Ex d install) Ex db ia op is IIC T4 Gb (Ta -55°C 至 +75°C) or</p> <p>(Ex de install) Ex db eb ia op is IIC T4 Gb (Ta -55°C 至 +75°C)</p> <p>Ex ia op is tb IIIC T100°C Db (Ta -55°C 至 +75°C)</p> <p>Um = 250 Vrms</p> <p>绩效批准</p> <p>FM 60079-29-4 / UL 60079-29-4</p> <p>功能安全 (SIL)</p> <p>TÜV (SÜD) 的 SIL 2 认证符合 EN61508</p> <p>核心批准</p> <p>EN 50270: (EMC) IEC / EN 61000-6-4; 无线电设备指令2014/53 / EU</p> <p>IEC / EN / UL / CSA 61010 (电气安全); FCC / IC; RoHS, 中国RoHS</p>

保修

霍尼韦尔 Analytics 公司保证 Searchline Excel Plus 开路式易燃气体探测器的发射器和接收器在 5 年不会出现因部件和工艺缺陷导致的问题。

此保修不涵盖耗材、电池、保险丝、正常磨损，或由于意外、滥用、不正确安装、未经授权使用、改装或维修、周围环境、有毒物质、污染物或异常操作条件造成的损坏。

本保修不适用于享受单独保修的传感器或部件，或任何第三方电缆和部件。

对于因本设备操作或使用不当造成的任何性质或种类的任何损坏或伤害，无论是如何造成的，霍尼韦尔 Analytics 公司均不承担任何责任。

对于因不正确安装或使用本设备而造成任何设备故障或损坏，包括（但不限于）偶然、直接、间接、特殊和后果性损坏，导致业务利润损失、业务中断、业务信息丢失或其他金钱损失的损坏，霍尼韦尔 Analytics 公司均不承担任何责任。

依据霍尼韦尔 Analytics 公司产品保修提出的任何索赔都必须在保修期内并且发现缺陷后在合理可行的范围内尽快提出。请联系您当地的霍尼韦尔 Analytics 公司服务代表以登记您的索赔。

此处内容为概要。有关完整保修条款，请参阅**霍尼韦尔分析公司有限产品保修总声明**，此文档可根据要求提供。

注：

请妥善保存登记表，以备将来参考。

This page intentionally left blank

Find out more

www.sps.honeywell.com

Contact Honeywell Analytics:

Europe, Middle East, Africa

Life Safety Distribution GmbH

Tel: 00800 333 222 44 (Freephone no.)

Tel: +41 (0)44 943 4380 (Alternative no.)

Middle East Tel: +971 4 450 5800 (Fixed Gas Detection)

Middle East Tel: +971 4 450 5852 (Portable Gas Detection)

gasdetection@honeywell.com

Americas

Honeywell Analytics Inc.

Tel: +1 847 955 8200

Toll free: +1 800 538 0363

detectgas@honeywell.com

Asia Pacific

Honeywell Analytics Asia Pacific Co Ltd

Tel: +82 (0) 2 6909 0300

India Tel: +91 124 4752700

China Tel: +86 10 5885 8788-3000

analytics.ap@honeywell.com

Technical Services

EMEA: HAexpert@honeywell.com

US: ha.us.service@honeywell.com

AP: ha.ap.service@honeywell.com

www.sps.honeywell.com

Honeywell

Please Note:

While every effort has been made to ensure accuracy in this publication, no responsibility can be accepted for errors or omissions. Data may change, as well as legislation and you are strongly advised to obtain copies of the most recently issued regulations, standards and guidelines. This publication is not intended to form the basis of a contract.

Issue 2 08/2021

2017M1225 ECO A0xxxx

© 2021 Honeywell Analytics

