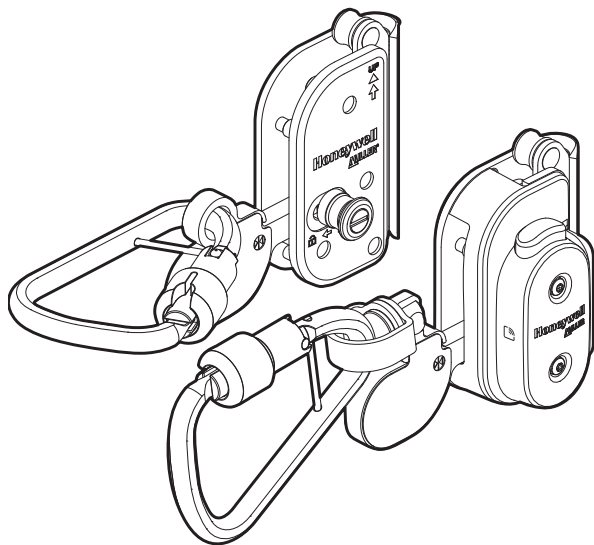


USER GUIDE



Söll VC500 series

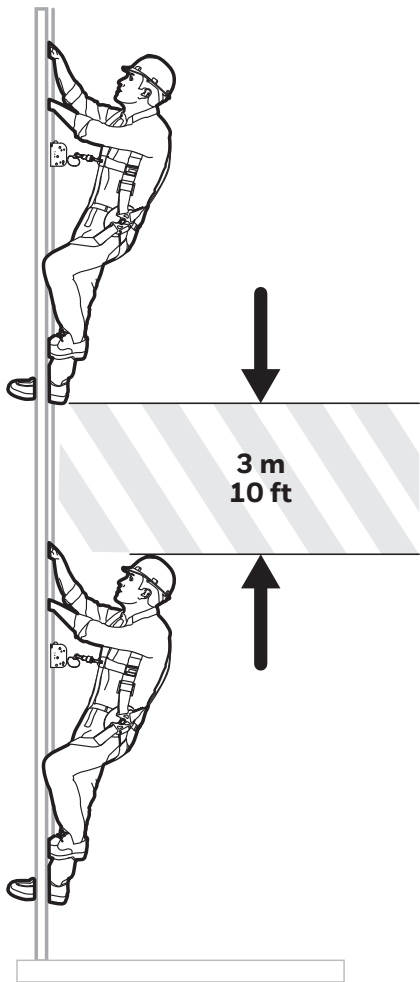
Guided Type Fall Arrester
for Söll Vi-Go Arrest System

Honeywell
MILLER

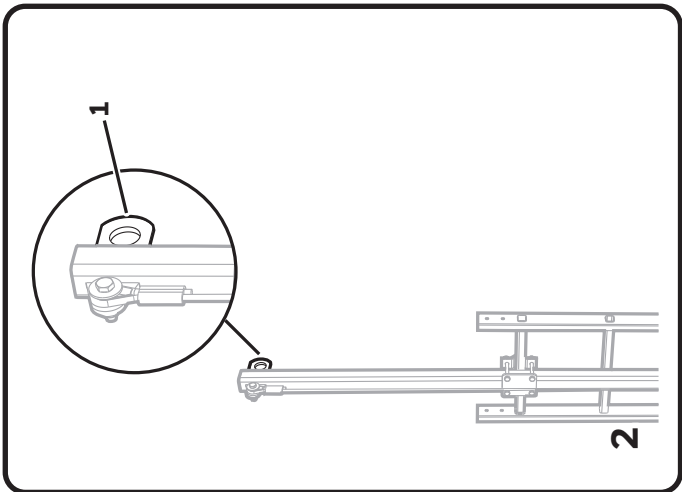
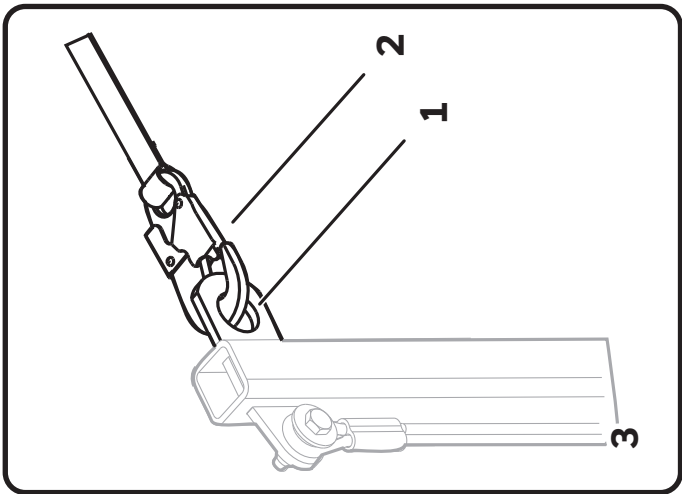
TABLE OF CONTENTS

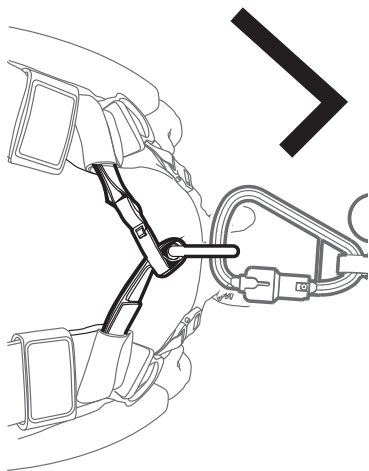
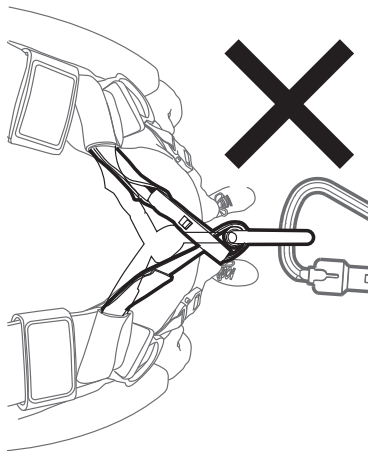
EN	INSTRUCTIONS FOR USE	16	MK	УПАТСТВО ЗА УПОТРЕБА	76
BG	ИНСТРУКЦИИ ЗА УПОТРЕБА	21	NL	GEBRUIKSAANWIJZING	81
CS	POKYNY K POUŽITÍ	26	NO	INSTRUKSJONER FOR BRUK	86
DA	BRUGSFORSKRIFTER	31	PL	INSTRUKCJA UŻYTKOWANIA	91
DE	GEBRAUCHSANWEISUNG	36	PT	INSTRUÇÕES DE UTILIZAÇÃO	96
ES	INSTRUCCIONES DE USO	41	RO	INSTRUCȚIUNI DE UTILIZARE	101
FI	KÄYTTÖOHJE	46	RU	ИНСТРУКЦИЯ ПО ЭКСПЛУАТАЦИИ	106
FR	MODE D'EMPLOI	51	SL	NAVODILA ZA UPORABO	111
HR	UPUTE ZA UPORABU	56	SK	NÁVOD NA POUŽITIE	116
HU	HASZNÁLATI UTASÍTÁS	61	SR	UPUTSTVO ZA UPOTREBU	121
IS	NOTKUNARLEIÐBEININGAR	66	SV	BRUKSANVISNING	126
IT	ISTRUZIONI PER L'USO	71			

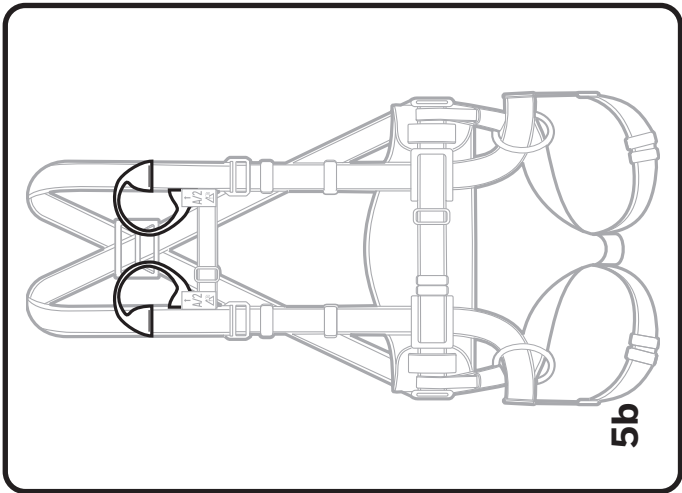
I - Product Marking - VC510	132
II - Product Marking - VC570	134
III - Identification Sheet	148
IV - Inspection Sheet	150
V - Conformity EU 2016/425	152
VI - Declaration of Conformity	153
VII - UKCA Conformity	154



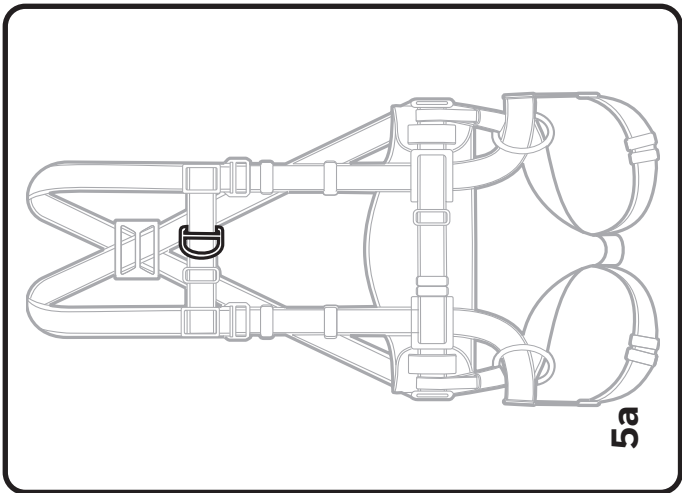
1



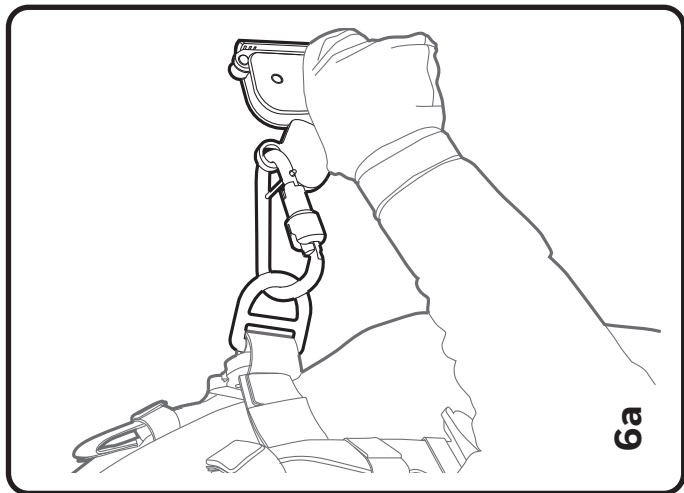
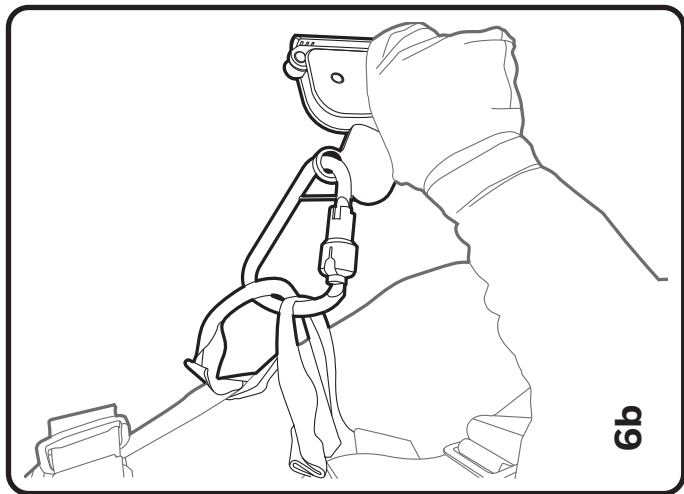


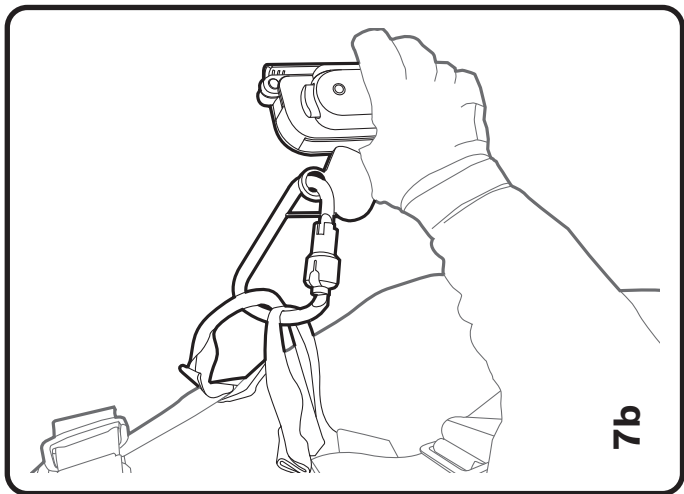


5b

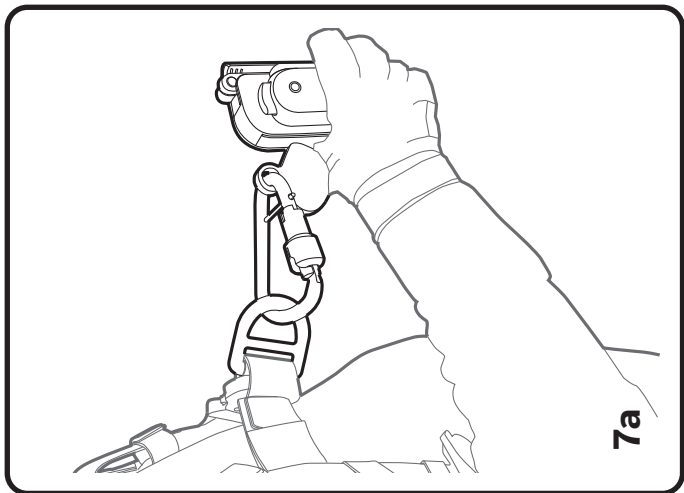


5a

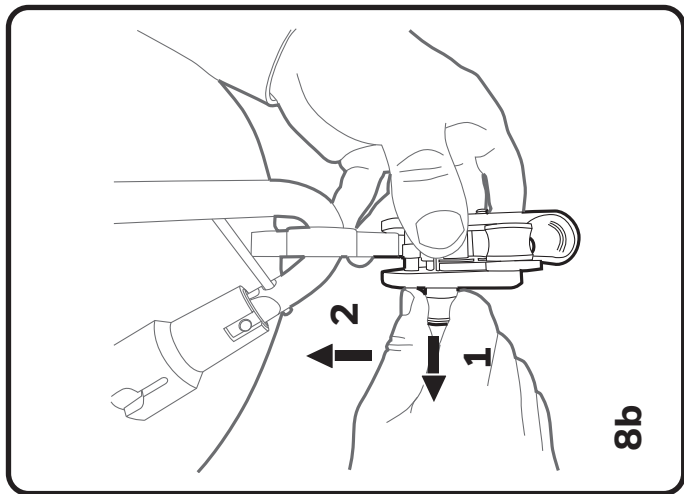




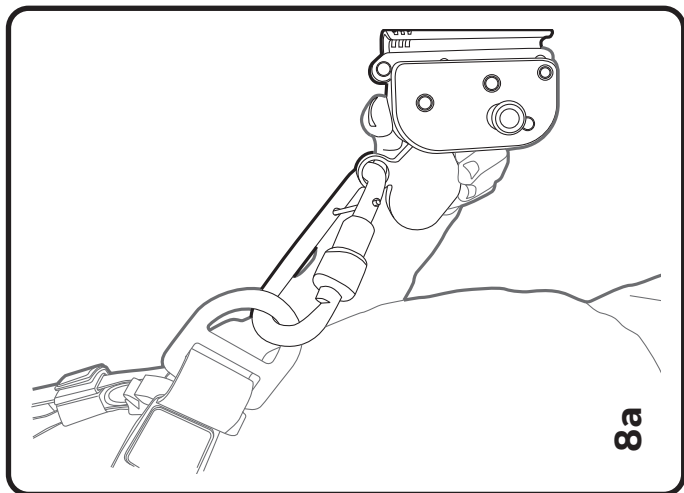
7b



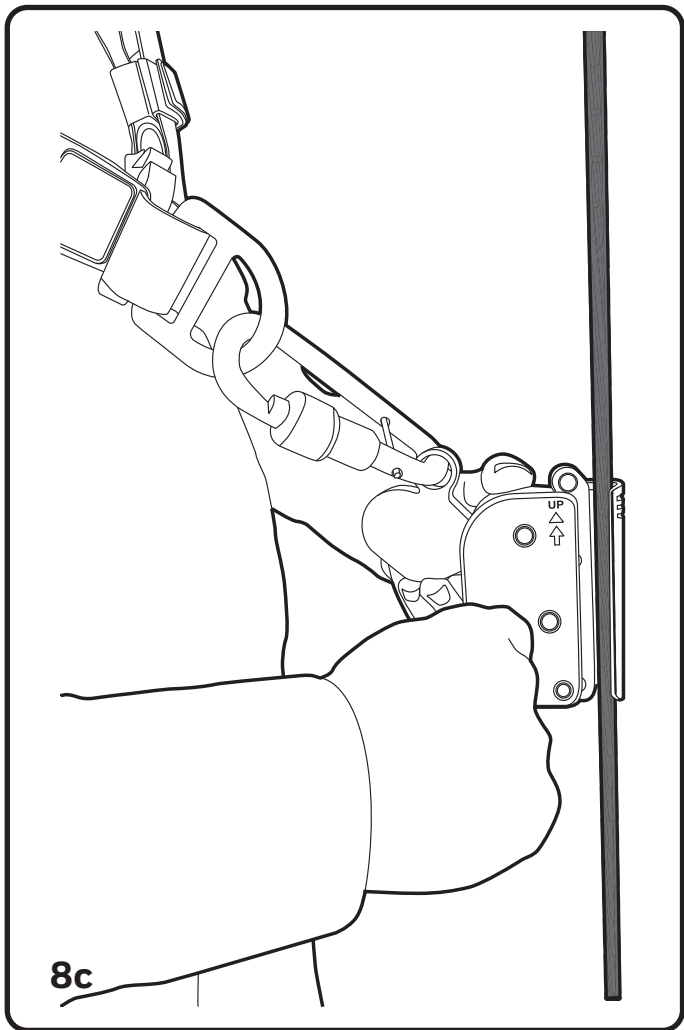
7a



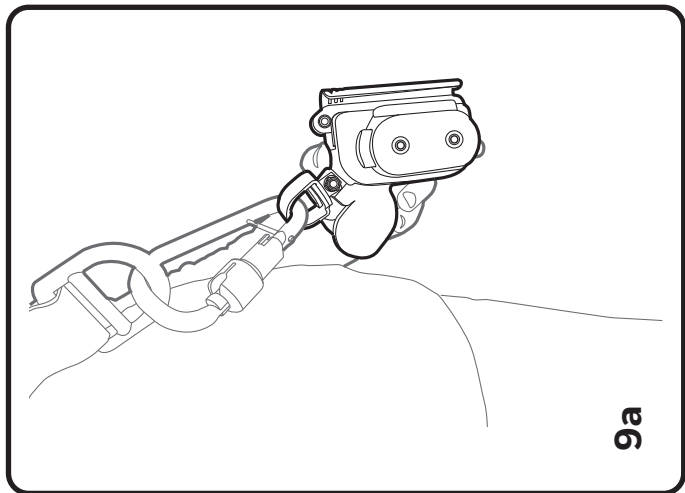
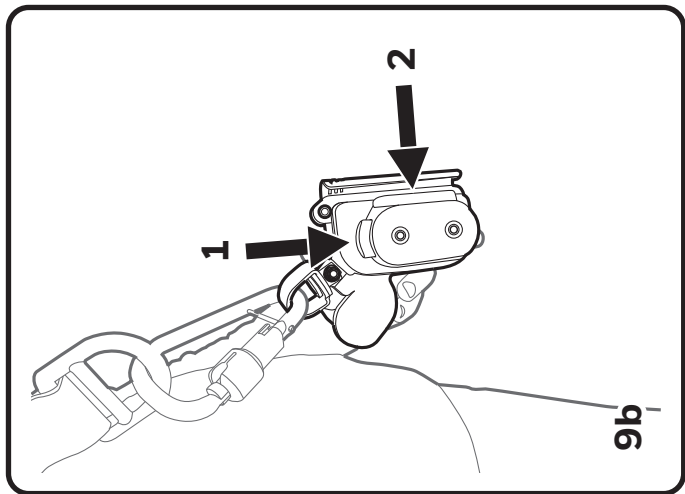
8b

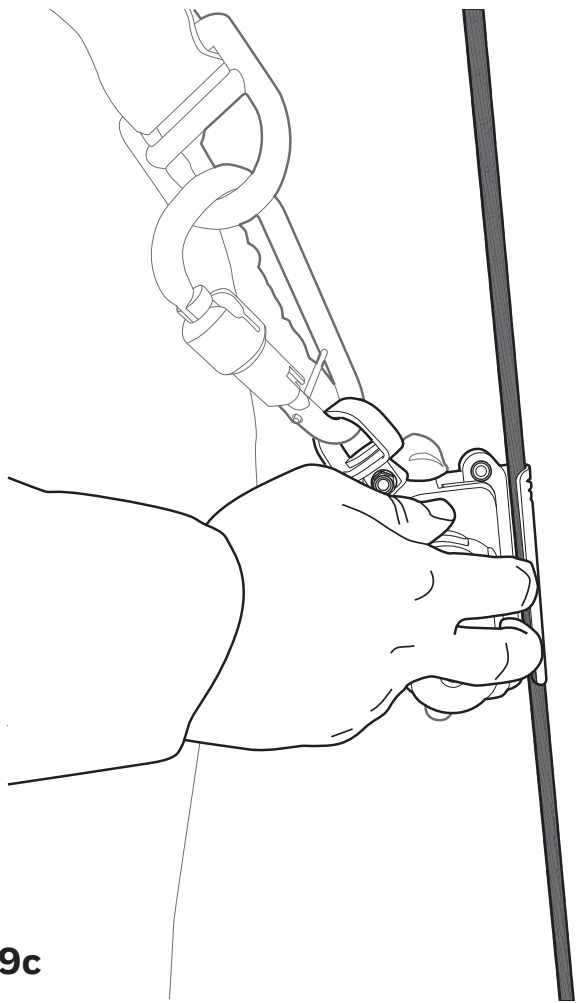


8a



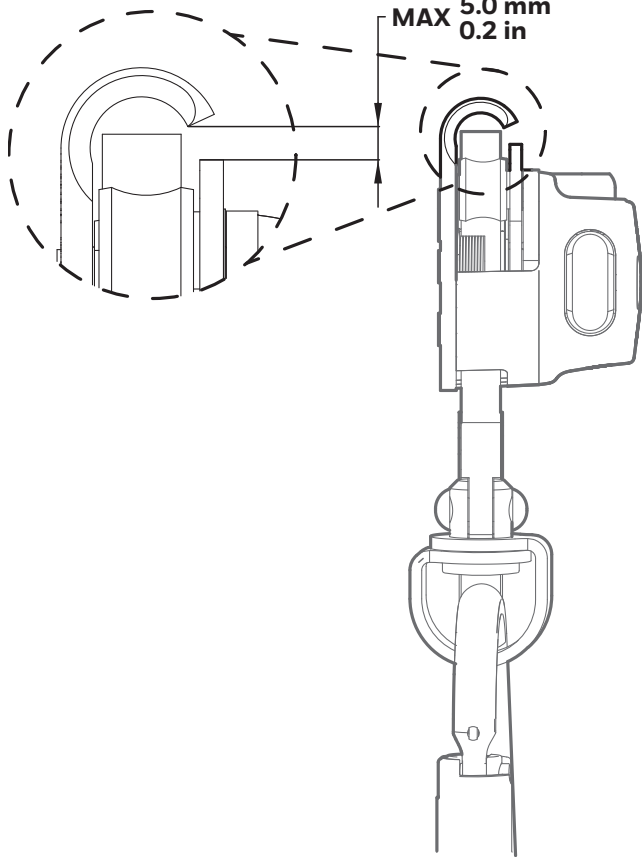
8c



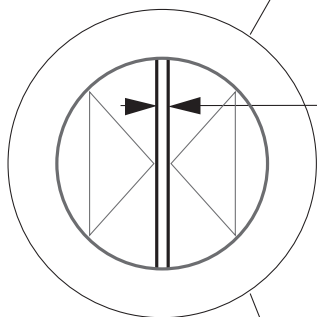
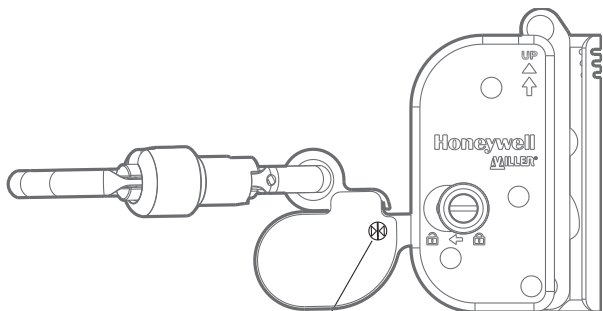


9c

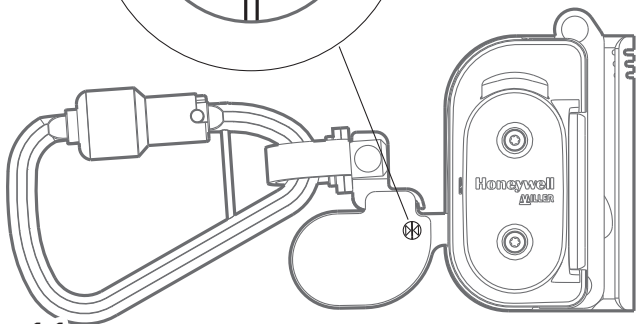
MAX 5.0 mm
0.2 in



10



MAX 2 mm
0.08 in



11

INSTRUCTIONS FOR USE

Söll VC500 - Guided Type Fall Arrester for Söll Vi-Go/Antec CABMAX Vertical Fall Arrest System

1 GENERAL INFORMATION

NORMATIVE REFERENCES

This product addresses the below list of standards and directives. It is the user's responsibility to comply with the relevant standards addressed in this manual.

Standards/directives reference groups below are applicable according to the market e.g. if the product is used in the European Union (EU) the user must be compliant with EU standards/directives and all other standards mentioned in the user guide are not relevant.

In this document, a rigid anchor line is also referred to as "cable" or "guide cable".

EUROPEAN STANDARDS

EN 353-1+A1:2017-12 - Personal fall protection equipment - Guided type fall arresters including an anchor line - Part 1: Guided type fall arresters including a rigid anchor line
CNB/P/11.119 - PPE Regulation (EU) 2016/425

AMERICAN STANDARDS AND REGULATIONS

ANSI-ASC A14.3-2008 - Ladders-Fixed-Safety Requirements
ANSI/ASSE Z359.16-2016 - Safety Requirements for Climbing Ladder Fall Arrest Systems
OSHA 1910.29 & 1926.502

CANADIAN STANDARDS

CSA Z259.2.5-17 - Fall Arresters and vertical lifelines

BRAZILIAN STANDARDS

NBR 14627 - Equipamento de proteção individual contra queda de altura - Travaquada guiado em linha rígida

2 SYSTEM

The Söll VC500 series fall arresters may be used with a Söll Vi-Go/Antec CABMAX vertical fall arrest system (hereinafter called "the fall arrest system") and meet the standard indicated in the following table:

		Söll Vi-Go system			ANTEC Cabmax
		without top shock absorber	with top shock absorber FPH_30176	with top shock absorber type TRTB/	
Fall Arrester	Söll VC510	<ul style="list-style-type: none"> • ANSI A14.3-2018 • OSHA 1910.29 & 1926.502 • EN 353-1+A1:2017-12 • UKCA 	<ul style="list-style-type: none"> • ANSI A14.3-2018* • OSHA 1910.29 & 1926.502* 	<ul style="list-style-type: none"> • ANSI A14.3-2018 • OSHA 1910.29 & 1926.502 	<ul style="list-style-type: none"> • EN 353-1+A1:2017-12
	Söll VC570	<ul style="list-style-type: none"> • ANSI Z359.16-2016 • OSHA 1910.29 & 1926.502 • CSA Z259.2.5-17 • EN 353-1+A1:2017-12 • UKCA 	<ul style="list-style-type: none"> • ANSI Z359.16-2016* • OSHA 1910.29 & 1926.502* 	<ul style="list-style-type: none"> • ANSI Z359.16-2016 • OSHA 1910.29 & 1926.502 • CSA Z259.2.5-17 	X

*Only with 10 mm (3/8 in) stainless steel cables and components.

All the Söll VC500 series fall arresters can be used with vertical fall arrest systems with automatic or manual pass-through brackets, with 8 mm (5/16") or 10 mm (3/8") cables. For further information see the Söll Vi-Go system installation guide.

3 SAFETY PRECAUTIONS

Anyone working with or on the fall arrest system must be familiarized with these instructions before using the system. The fall arrest equipment should not be used outside its limitations, or for any purpose other than that for which it is intended. Use that is not in accordance with these instructions constitutes a risk to human life. Operatives must be given training covering these instructions and the user information before starting work, and again at least once a year. Ensure that the safety function of any of the components is not affected by the safety function of another and that they do not interfere with each other. If the product is sold outside the first country of destination, the reseller must ensure that the product is compliant with the laws applicable in that country and provide instructions for the product in the appropriate language.

The operator of the fall arrest system as well as the user of the fall arrester must ensure that this manual is always properly stored and available for consultation at all times.

National regulations on accident prevention and the use of safety equipment for construction work must be adhered to.

The guided type fall arrester is an integral part of the fall arrest system in compliance with EN 353-1:2014+A1:2017, CSA Z259.2.5-17, ANSI A14.3-2008, and ANSI Z359.16-2016, and is designed for use as personal safety equipment. To help ensure proper use of the fall arrest system, the operator must ensure that the full body harness and the fall arrester are used according to these instructions. After use, the fall arrester must not be left connected to the safe climbing system. The fall arrester must be operated only in the original fall arrest system. Full body harness is the only acceptable body holding device that can be used in a fall arrest system. The safe climbing system must be used only in conjunction with full body harnesses that have been checked and approved in accordance with EN 361:2002-05, NBR 15836, CSA Z259.2.5-17, or ANSI Z359.16-2016 and are equipped with a front attachment point.

To achieve conjunction between the fall arrester and the full body harness, connect the carabiner hook of the fall arrester to the certified anchorage ring marked with "A" (only applicable when in accordance with EN 361:2002-05) at the sternal part of the full body harness. The distance between the fall arrester and the full body harness must not be minimized or enlarged (e.g. by adding or removing a connector).

The length of the carabiner must not be extended or shortened.

A **maximum of 4 users** may be attached to the system at the same time (including the users attached to the anchor point, when the platform extension is in use). Except in case of rescue operations, only one person at a time should use the same segment of vertical cable between intermediate brackets for cable guides. Each user must be secured to a separate fall arrester. The guided type fall arrester is for use of **1 person only**. The distance between the users **must not be less than 3 m / 10 ft** (Fig. 1). The actual number of users depends on the load-bearing capacity of the base structure.

The minimum load of the user excluding clothes and equipment is **50 kg / 110 lb**. The maximum load of the user including clothes and equipment is **140 kg / 310 lb** and must not be exceeded.

The guided type fall arrester shall not be used for work positioning. If the work positioning is required, a work positioning equipment shall be used.

The fall arrester shall not be touched during ascent/descent to ensure safety.

The fixation points for the cable of the fall arrest system must not be used for securing loads.

Before and during the use of the installed fall arrest system, the system must be visually inspected to ensure that it is operating properly.

Working temperature is **-40 °C to +70 °C / -40 °F to 158 °F**; ensure that the system is free of grease, oil, and ice. The operator must consult their health with their doctor and must not be under the influence of alcohol, drugs, or medicines that could affect the safe use of the product.



Important!

The user may not be sufficiently protected against hitting the ground or obstacles if at a height less than 3 m / 10 ft. Before using the safe-climbing system, ensure that there is the required free space under the user's feet.



Warning

Before using this fall arrester, the user must read and understand this instruction manual and any additional instructions provided during training or given with the fall arrester or the fall arrest system.



Warning

Any alterations or additions to the Söll VC500 series fall arrester without the manufacturer's written approval may prevent the fall arrester from properly functioning and are therefore prohibited.

KEEP THIS MANUAL FOR FUTURE USE - DO NOT THROW IT AWAY!

4 ANCHOR DEVICE PLATFORM EXTENSION

The Honeywell Söll Vi-Go platform extension is a certified anchor point for fall protection for:

- **2 persons** in accordance with EN 795:2012 and CEN/TS 16415:2013
- **1 person** in accordance with ANSI Z359.18.

The eye of the anchor steel plate (Fig. 2, Pos. 1) serves as an anchor point.

Therefore the user can be protected from falling while transitioning from vertical to horizontal progress.

Tripping points in the entrance and working area must be avoided.



Warning!

The anchor device must not be used if the anchor eye has been stressed by a fall. In this case, the anchor device must be checked by an authorized person and if necessary replaced.

The anchor device platform extension may only be used in combination with the following safety equipment:

- personal fall protection systems in accordance with EN 363 or ANSI/ASSP Z359.1:2020-00
- energy absorbers in accordance with EN 355 or ANSI/ASSP Z359.13:2013-00
- rescue systems in accordance with EN 1496 or ANSI/ASSP Z359.4:2013-00, EN 1479, EN 1498 and ANSI/ASSP Z359.4:2013-00

The system of personal protective equipment against falling (only with an energy absorber) or rescue system must be chosen so that a collision of the user with the ground or collision with other obstacles can be avoided. Follow the manufacturer's user instructions.

To secure against fall the carabiner hook (Fig. 3, Pos. 2) of a connecting device must be installed on the eye of the anchor steel plate (Fig. 3, Pos. 1) and locked to avoid unintended disconnecting.



Danger!

The carabiner hook of the connecting device must not be disconnected from the anchor device before the user is protected by another solution against a fall.

5 USE



Important!

5.1 INSPECTION BEFORE CLIMBING:

- Before each use, inspect the cable, the cable tension, the fall arrester, and the carabiners for usability.
- The fall arrest system must not be used if defects have been noted or in case of doubts as to its proper function. Before further use, an inspection by an authorized person is needed and the defective parts must be replaced.
- A rescue plan must be in place before the use of the fall arrest system.



Warning

If the harness becomes loose during ascent or descent, reach a secure position and adjust it correctly.

When working in or next to the ascent route and during jobs and actions that are not a part of the usual ascent and descent movements, the climber must additionally secure themselves with a lanyard in accordance with EN 354 or work positioning lanyard in accordance with EN 358:2018-11 or ANSI/ASSP Z 359.4:2013-00. This is also applicable for idle positions while resting on the fall arrest ladder. Only suitable anchor devices must be used. In all these situations, the lanyard must be held tight to prevent a fall.



Important!

The Söll VC500 series fall arresters must be used only with systems with an inclination of max. 15° from the vertical in all directions.



Important!

The fall arrester according to EN 353-1+A1:2017-12, CSA Z259.2.5-17, ANSI A14.3-2008, ANSI Z359.16-2016, and NBR 14627 shall be used only by persons who:

- have been trained or are otherwise authorized
- are supervised directly by a trained or authorized person.

5.2 CONNECTION TO THE SYSTEM:

- The design allows fixing on an **8 mm (5/16 in)** or **10 mm (3/8 in)** galvanized or stainless steel cables that are part of the Söll Vi-Go system.
- The fall arrester has a mechanism, which helps prevent the fall arrester from being incorrectly attached to the cable.

5.3 CONNECTING THE FALL ARRESTER TO THE FULL BODY HARNESS:

- Pull down the knurled bushing of the carabiner.
- Then turn the knurled bushing and press it inwards.
- Attach it directly to the sternal connection of the full body harness.
- Release the knurled bushing, it locks automatically.



Danger!

An unsecured carabiner (open knurled bushing) is dangerous to human life. The abdominal or thoracic strap of the full body harness must fit the body tightly (Fig. 4).



Danger!

The carabiner of the fall arrester must be directly inserted into the sternal attachment point of the full body harness (Fig. 5, 6, 7).

5.4 INSERTING IN THE GUIDING CABLE

VC510

- Hold the fall arrester so the arrow on the casing points upward.
- Lift the carabiner with the braking lever up (Fig. 8a).
- Pull the lock knob away from the fall arrester, then slide it away from the cable (Fig. 8b).
- Through the now-open gap in the casing of the fall arrester, place the fall arrester on the cable so the arrow on the casing points upward (Fig. 8c).
- Release the braking lever and the lock knob.
- The Söll VC510 is now connected to the guide cable.
- Check whether the fall arrester can freely slide vertically on the guide cable.
- Check the functioning of the locking and catch mechanism by moving the braking lever.

VC570

- Hold the fall arrester so the arrow on the casing points upward.
- Lift the carabiner with the braking lever up (Fig. 9a).
- Press the top button down, into the body of the fall arrester (Fig. 9b, Pos. 1).
- Press the trigger into the body of the fall arrester (Fig. 9b, Pos. 2).
- Through the now-open gap in the casing of the fall arrester, place the fall arrester on the cable so the arrow on the casing points upward (Fig. 9c).
- Release the braking lever, the button, and the trigger.
- The Söll VC570 is now connected to the guide cable.
- Check whether the fall arrester can freely slide vertically on the guide cable.
- Check the functioning of the locking and catch mechanism by moving the braking lever.

5.5 REMOVING THE FALL ARRESTER FROM THE GUIDING CABLE



Warning!

Before removing the fall arrester from the vertical cable or detaching from the harness, users must be secured and protected against a fall from height otherwise!

VC510

- Lift the carabiner with the braking lever up.
- Pull the lock knob away from the fall arrester, then slide it away from the cable.
- Through the now-open gap in the casing of the fall arrester, remove the fall arrester.
- Release the braking lever and the lock knob.

VC570

- Lift the carabiner with the braking lever up.
- Press the top button down, into the body of the fall arrester.
- Press the trigger into the body of the fall arrester.
- Through the now-open gap in the casing of the fall arrester, remove the fall arrester.
- Release the braking lever, the button, and the trigger.

6 INSPECTION

The safety of users depends upon the continued efficiency and durability of the equipment. Depending on the local legislation, frequency of use and environmental conditions, the fall arresters must be inspected by a competent person on a regular basis and at least every 12 months as per ANSI Z359 / EN 365. The periodic inspections are only to be conducted by a competent person and strictly in accordance with the manufacturer's periodic inspection procedures.

Prior to each use and during the periodic inspection, the fall arrester must be visually inspected to ensure that:

- The gap between the locking mechanism and the fall arrester casing must not be more than 5 mm / 0.118 in (Fig. 10).
- The gap between the absorber loops must be less than 2 mm / 0.08 in (Fig. 11).
- There are no signs of wear, damage or other deterioration.
- The product labels/markings are legible.

If the above requirements are not met, the fall arrester must be removed from service and replaced or repaired. Repairs can be carried out by the manufacturer only.



Warning!

A fall arrester that has arrested a user's fall from a height must be removed from service.

7 MAINTENANCE

CLEANING

Clean with water. Do not use any solvents or acid/alkaline-containing cleansing agents under any circumstances. Allow drying naturally in a well-ventilated area away from any open fire or other sources of heat.

LIFESPAN

Proper care of your PPE will help ensure better product longevity and your safety.

The operating lifetime of the fall arrester depends on the frequency of use and the operating conditions. During yearly inspections carried out by an authorized person or body, the fall arrester will be only released for further use if the product and its components are in good condition.

TRANSPORT AND STORAGE

During transport and storage, make sure your PPE is placed away from heat sources, humidity, corrosive atmosphere, ultraviolet rays, etc., and avoid any impact or excessive vibration.

8 ITEM MANAGEMENT

VC510 & VC570 present unique serial numbers on the side of the outer body (see Product Marking, point 'N').

RFID

VC570 incorporates an RFID (Radio Frequency Identification) tag containing unique identification number that can be used for asset tracking according to ISO 18000-63. The RFID allows for quick field inspections and specifies information including model number, date of manufacture, inspection/lot number, and standards met. In addition to the type of reader and the RFID tag, optimal RFID reading distance varies depending on the reader, tag orientation, and material.

The RFID tag is placed under the plastic cover of the fall arrester - see product marking.



SPECIFICATION

- Frequency Global: 840 ~ 940 MHz
- Memory EPC 128bits, TID: 96bit
- Data retention: 20 years

RECOMMENDATIONS

After cleaning your PPE, please scan your RFID tag to verify that it has not been damaged.

9 ENVIRONMENTAL PROTECTION



The WEEE Symbol indicates that this product may not be treated as household waste.

To protect the environment, ensure the product is disposed of correctly. For more detailed information about recycling this product, please contact your local authority, your household/industrial waste disposal service provider, or the point of sale of the product.

Söll VC500 - Устройство за спиране на падане от направляван тип за система за вертикално спиране на падане **Söll Vi-Go/Antec CABMAX**

1 ОБЩА ИНФОРМАЦИЯ

ПРЕПРАТКИ КЪМ НОРМАТИВНИ АКТОВЕ

Този продукт отговаря на списъка със стандарти и директиви по-долу. Отговорност на потребителя е да спазва съответните стандарти, посочени в това ръководство.

Референтните групи на стандарти/директиви по-долу са приложими според пазара, напр. ако продуктът се използва в Европейския съюз (ЕС), потребителят трябва да отговаря на стандартите/директивите на ЕС и всички други стандарти, споменати в ръководството за потребителя, не са приложими.

В този документ твърдата анкерна линия се нарича още "кабел" или "водещ кабел".

ЕВРОПЕЙСКИ СТАНДАРТИ

EN 353-1+A1:2017-12 - Оборудване за лична защита от падане - Направлявани устройства за спиране на падане, включително анкерна линия - Част 1: Направлявани устройства за спиране на падане, включително твърда анкерна линия

CNB/P/11.119 - Регламент за ЛПС (ЕС) 2016/425

АМЕРИКАНСКИ СТАНДАРТИ И НОРМАТИВНИ ИЗИСКВАНИЯ

ANSI-ASC A14.3-2008 - Стълби-Фиксирани-Изисквания за безопасност

ANSI/ASSE Z359.16-2016 - Изисквания за безопасност за системи за спиране на падане при катерене по стълба OSHA 1910.29 и 1926.502

КАНАДСКИ СТАНДАРТИ

CSA Z259.2.5-17 - Предпазители срещу падане и вертикални спасителни линии

БРАЗИЛСКИ СТАНДАРТИ

NBR 14627 - Equipamento de proteção individual contra queda de altura - Travaquada guiado em linha rígida

2 СИСТЕМА

Серията устройства за спиране на падане Söll VC500 може да се използва с вертикална система за спиране на падане Söll Vi-Go/Antec CABMAX (наречена по-долу „система за спиране на падане“) и отговаря на стандарта, посочен в следната таблица:

		Söll Vi-Go система			ANTEC Cabmax
		без горен амортизьор	с горен амортизьор FPH_30176	с горен амортизьор тип TRTB/	
Устройство за	Söll VC510	<ul style="list-style-type: none"> • ANSI A14.3-2018 • OSHA 1910.29 & 1926.502 • EN 353-1+A1:2017-12 • UKCA 	<ul style="list-style-type: none"> • ANSI A14.3-2018* • OSHA 1910.29 & 1926.502* 	<ul style="list-style-type: none"> • ANSI A14.3-2018 • OSHA 1910.29 & 1926.502 	<ul style="list-style-type: none"> • EN 353-1+A1:2017-12
	Söll VC570	<ul style="list-style-type: none"> • ANSI Z359.16-2016 • OSHA 1910.29 & 1926.502 • CSA Z259.2.5-17 • EN 353-1+A1:2017-12 • UKCA 	<ul style="list-style-type: none"> • ANSI Z359.16-2016* • OSHA 1910.29 & 1926.502* 	<ul style="list-style-type: none"> • ANSI Z359.16-2016 • OSHA 1910.29 & 1926.502 • CSA Z259.2.5-17 	X

*Само с 10 мм (3/8 инча) кабели и компоненти от неръждаема стомана.

Всички устройства за спиране на падане от серията Söll VC500 могат да се използват с вертикални системи за спиране на падане с автоматични или ръчни скоби за преминаване, с 8 mm (5/16") или 10 mm (3/8") кабели. За допълнителна информация вижте ръководството за инсталиране на системата Söll Vi-Go.

3 ПРЕДПАЗНИ МЕРКИ ЗА БЕЗОПАСНОСТ

Всеки, който работи със системата за спиране на падане, трябва да се запознае с тези инструкции, преди да я използва. Оборудването за спиране на падане не трябва да се използва извън неговите ограничения или за каквато и да е цел, различна от тази, за която е предназначено. Използването, което не е в съответствие с тези инструкции, представлява риск за човешкия живот. Операторите трябва да преминат обучение, обхващащо тези инструкции и информацията за потребителя, преди да започнат работа и отново поне веднъж годишно. Уверете се, че функцията за безопасност на някои от компонентите не се влияе от функцията за безопасност на друг и че те не си пречат един на друг. Ако продуктът се продава извън първата страна на продажба, дистрибуторът трябва да гарантира, че продуктът отговаря на законите, приложими в тази страна, и да предостави инструкции за продукта на съответния език.

Операторът и потребителят на системата за спиране на падане трябва да гарантират правилното съхранение на това ръководство и неговата наличност за справка по всяко време. Трябва да се спазват националните нормативни изисквания за предотвратяване на злополуки и използване на оборудване за безопасност при строителни работи.

Устройството за спиране на падане от направляван тип е неразделна част от системата за спиране на падане в съответствие с EN 353-1:2014+A1:2017, CSA Z259.2.5-17, ANSI A14.3-2008 и ANSI Z359.16-2016, и е предназначено за използване като лично предпазно оборудване. За да се гарантира правилното използване на системата за спиране при падане, операторът трябва да се увери, че коланът за цялото тяло и устройството за спиране на падане се използват в съответствие с тези инструкции. Устройството за спиране на падане не трябва да се оставя свързано към системата за безопасно катерене след използване. Устройството за спиране на падане трябва да се използва само в оригиналната система за спиране на падане. Предпазният колан за цяло тяло е единственото допустимо устройство за задържане на тялото, което може да се използва в системата за спиране на падане. Системата за безопасно катерене трябва да се използва само заедно с предпазни колани за цялото тяло, които са проверени и одобрени в съответствие с EN 361:2002-05, NBR 15836, CSA Z259.2.5-17 или ANSI Z359.16-2016 и са оборудвани с предпазна точка за закрепване.

За свързване на устройството за спиране на падане и предпазния колан за цялото тяло, свържете куката на карабинера на устройството за спиране на падане към сертификацията пръстен за закрепване, маркиран с „А“ (приложимо само когато е в съответствие с EN 361:2002-05) в стерилната част на предпазния колан за цялото тяло. Разстоянието между устройството за спиране на падане и колана за цялото тяло не трябва да се намалява или увеличава (напр. чрез добавяне или премахване на конектор).

Дължината на карабинера не трябва да се удължава или скъпява.

Могат да бъдат свързани едновременно **най-много 4 потребители** към системата (включително потребителите, прикрепени към точката на закрепване, когато се използва удължението на платформата). Освен в случай на спасителни операции, само един човек трябва да използва един и същ сегмент от вертикален кабел между междинните скоби за кабелни водачи. Всеки потребител трябва да бъде осигурен с отделно устройство за спиране на падане. Устройството за спиране на падане от направляван тип е за използване **само от 1 човек**. Разстоянието между потребителите **не трябва да бъде по-малко от 3 м / 10 фута** (фиг. 1). Действителният брой потребители зависи от товароспособността на основната структура.

Минималното тегло на потребителя без дрехите и оборудването е **50 кг / 110 lb**. Максималното тегло на потребителя с дрехите и оборудването е **140 кг / 310 lb** и не трябва да се превъзвеса.

Устройството за спиране на падане от направляван тип не трябва да се използва за работно позициониране. Ако се изисква работно позициониране, трябва да се използва оборудване за работно позициониране.

Устройството за спиране на падане не трябва да се докосва по време на изкачване/спускане, за да се гарантира безопасността.

Точките за фиксиране на кабела на системата за спиране при падане не трябва да се използват за обезопасяване на товари.

Преди и по време на използването на инсталираната система за спиране на падане, системата трябва да бъде проверена визуално, за да се гарантира, че функционира правилно.

Работна температура е **-40°C до +70°C / -40°F до 158°F**, уверете се, че в системата няма грес, масло и лед. Операторът трябва да провери здравето си със своя лекар и не трябва да бъде под въздействието на алкохол, наркотици или лекарства, които биха могли да повлияят на безопасното използване на продукта.



Важно!

Потребителят може да не е защитен достатъчно срещу удар в земята или прелятията, ако е на височина под 3 м / 10 фута. Преди да използвате системата за безопасно катерене, уверете се, че има необходимото свободно пространство под краката на потребителя.



Предупреждение

Преди да използва това устройство за спиране на падане, потребителят трябва да прочете и разбере това ръководство с инструкции и всички допълнителни инструкции, предоставени по време на обучението или дадени с устройството или системата за спиране на падане.



Предупреждение

Всички промени или допълнения към устройството за спиране на падане от серията Söll VC500 без писменото одобрение на производителя може да попречат на правилното функциониране на устройството за спиране на падане и следователно са забранени.

ЗАПАЗЕТЕ ТОВА РЪКОВОДСТВО ЗА БЪДЕЩА УПОТРЕБА - НЕ ГО ИЗХВЪРЛЯЙТЕ!

4 УДЪЛЖЕНИЕ НА ПЛАТФОРМАТА ЗА АНКЕРНО УСТРОЙСТВО

Удължението на платформата Honeywell Söll Vi-Go е сертифицирана опорна точка за защита срещу падане за:

- **2 души** в съответствие с EN 795:2012 и CEN/TS 16415:2013
- **1 човек** в съответствие с ANSI Z359.18.

Ухото на анкерната стоманена плоча (фиг. 2, поз. 1) служи като точка на закрепване.

Съобразно с това потребителят може да бъде защитен от падане, докато преминава от вертикално в хоризонтално положение. Трябва да се избягват местата на спъване на входа и в работната зона.



Предупреждение!

Анкерното устройство не трябва да се използва, ако анкерната кука е била натоварена от падане. В този случай анкерното устройство трябва да бъде проверено от оторизирано лице и при необходимост да се замени.

Удължението на платформата на анкерното устройство може да се използва само в комбинация със следното оборудване за безопасност:

- лични системи за защита от падане в съответствие с EN 363 или ANSI/ASSP Z359.1:2020-00
- абсорбери на енергия в съответствие с EN 355 или ANSI/ASSP Z359.13:2013-00
- спасителни системи в съответствие с EN 1496 или ANSI/ASSP Z359.4:2013-00, EN 1479, EN 1498 и ANSI/ASSP Z359.4:2013-00

Системата за лични предпазни средства срещу падане (само с абсорбатор на енергия) или спасителната система трябва да бъдат избрани така, че да се избегне сблъсък на потребителя със земята или сблъсък с други препятствия. Следвайте инструкциите на производителя за използване.

За обезопасяване срещу падане, карабинерната кука (Фиг. 3, Поз. 2) на свързващото устройство трябва да бъде монтирана върху ухото на стоманената анкерна плоча (Фиг. 3, Поз. 1) и заключена, за да се избегне нежелано разкачане.



Опасност!

Карабинерната кука на свързващото устройство не трябва да се откача от анкерното устройство, преди потребителят да бъде защитен от друго устройство срещу падане.

5 УПОТРЕБА



Важно!

5.1 ПРОВЕРКА ПРЕДИ КАТЕРЕНЕ:

- Преди всяка употреба проверявайте състоянието на кабела, огъна на кабела, устройството за спиране на падане и карабинерите.
- Системата за спиране на падане не трябва да се използва, ако са забелязани дефекти или в случай на съмнения относно правилното ѝ функциониране. Преди по-нататъшна употреба е необходима проверка от оторизирано лице и дефектните части трябва да бъдат заменени.
- Преди използването на системата за спиране на падане трябва да има спасителен план.



Предупреждение

Ако предпазният колан за цялото тяло се разхлаби по време на изкачване или слизане, достигнете сигурна позиция и го регулирайте правилно.

При работа в или до маршрута за изкачване и по време на работа и действия, които не са част от обичайните движения на изкачване и слизане, катерачът трябва да се обезопаси допълнително с ремък в съответствие с EN 354 или въже за работно позициониране в съответствие с EN 358:2018-11 или ANSI/ASSP Z 359.4:2013-00. Това е приложимо също при неподвижни състояния, докато почивате на стълба за спиране на падане. Трябва да се използват само подходящи анкерни устройства. Във всички тези ситуации ремъкът трябва да е затегнат, за да се предотврати падане.



Важно!

Устройствата за спиране на падане от серията Söll VC500 трябва да се използват само със системи с наклон най-много от 15° от вертикалата във всички посоки.



Важно!

Устройството за спиране на падане съгласно EN 353-1+A1:2017-12, CSA Z259.2.5-17, ANSI A14.3-2008, ANSI Z359.16-2016, и NBR 14627 трябва да се използва само от лица, които:

- са обучени или са оторизирани по друг начин
- са наблюдавани директно от обучено или оторизирано лице.

5.2 СВЪРЗВАНЕ КЪМ СИСТЕМАТА:

- Дизайнът позволява закрепване към **8 mm (5/16 in)** или **10 mm (3/8 in)** кабели от поцинкована или неръждаема стомана, които са част от системата Söll Vi-Go.
- Устройството за спиране на падане има механизъм, който помага да се предотврати неправилното му закрепване към кабела.

5.3 СВЪРЗВАНЕ НА УСТРОЙСТВОТО ЗА СПИРАНЕ НА ПАДАНЕ КЪМ ПРЕДПАЗНИЯ КОЛАН ЗА ЦЯЛОТО ТЯЛО:

- Издърпайте надолу назъбената втулка на карабинера.
- След това завъртете назъбената втулка и я натиснете навътре.
- Прикрепете я директно към стерналната връзка на колана за цялото тяло.
- Освободете назъбената втулка, тя се заключва автоматично.



Опасност!

Незакрепен карабинер (отворена назъбена втулка) представлява опасност за човешкия живот. Лентата за коремната или гърдната област на колана за цялото тяло трябва да приляга плътно към тялото (фиг. 4).



Опасност!

Карабинерът на системата за спиране на падане трябва да бъде вкаран директно в стерналната точка на закрепване на колана за цялото тяло (фиг. 5, 6, 7).

5.4 ПОСТАВЯНЕ ВЪВ ВОДЕЩИЯ КАБЕЛ

VC510

- Дръжте предпазителя от падане така, че стрелката върху корпуса да сочи нагоре.
- Повдигнете карабинера със спирачния лост нагоре (фиг. 8a).
- Издърпайте заключващата дръжка от устройствата за спиране на падане, след което я плъзнете от кабела (фиг. 8b).
- През вече отворения процеп в корпуса на устройството за спиране на падане поставете устройството върху кабела, така че стрелката на корпуса да сочи нагоре (фиг. 8c).
- Освободете спирачния лост и дръжката за заключване.
- Söll VC510 вече е свързан към водещия кабел.
- Проверете дали устройството за спиране на падане може да се плъзга свободно вертикално по водещия кабел.
- Проверете функционирането на заключващия механизъм, като преместите спирачния лост.

VC570

- Дръжте предпазителя от падане така, че стрелката върху корпуса да сочи нагоре.
- Повдигнете карабинера със спирачния лост нагоре (фиг. 9a).
- Натиснете горния бутон надолу, в тялото на устройството за спиране на падане (фиг. 9b, поз. 1).
- Натиснете спусъка в тялото на устройството за спиране на падане (фиг. 9b, поз. 2).
- През вече отворения процеп в корпуса на устройството за спиране на падане поставете устройството върху кабела, така че стрелката на корпуса да сочи нагоре (фиг. 9c).
- Освободете спирачния лост, бутона и спусъка.
- Söll VC570 вече е свързан с водещия кабел.
- Проверете дали устройството за спиране на падане може да се плъзга свободно вертикално по водещия кабел.
- Проверете функционирането на заключващия механизъм, като преместите спирачния лост.

5.5 ОСТРАНЯВАНЕ НА УСТРОЙСТВОТО ЗА СПИРАНЕ НА ПАДАНЕ ОТ ВОДЕЩИЯ КАБЕЛ



Предупреждение!

Преди премахване на устройството за спиране на падане от вертикалния кабел или разкачането му от колана за цялото тяло, потребителите трябва да бъдат обезопасени и защитени по друг начин срещу падане от височина!

VC510

- Повдигнете карабинера със спирачния лост нагоре.
- Издърпайте дръжката за заключване от устройството за спиране на падане, след което я плъзнете от кабела.
- През вече отворения процеп в корпуса на устройството за спиране на падане отстранете устройството за спиране на падане.
- Освободете спирачния лост и дръжката за заключване.

VC570

- Повдигнете карабинера със спирачния лост нагоре.
- Натиснете горния бутон надолу, в тялото на устройството за спиране на падане.
- Натиснете спусъка в тялото на устройството за спиране на падане.
- През вече отворения процеп в корпуса на устройството за спиране на падане отстранете устройството за спиране на падане.
- Освободете спирачния лост, бутона и спусъка.

6 ПРОВЕРКА

Безопасността на потребителите зависи от постоянната ефективност и дълготрайност на оборудването. В зависимост от местното законодателство, честотата на употреба и условията на околната среда, устройствата за спирание на падане трябва да се проверяват редовно от компетентно лице и поне на всеки 12 месеца съгласно ANSI Z359 / EN 365. Периодичните проверки трябва да се извършват само от компетентно лице и в строго съответствие с процедурите за периодични проверки на производителя. Преди всяка употреба и по време на периодичната проверка, устройството за спирание на падане трябва да бъде проверено визуално, за да се гарантира, че:

- Разстоянието между заключващия механизъм и корпуса на устройството за спирание на падане не трябва да бъде повече от 5 mm / 0,118 in (фиг. 10).
- Разстоянието между абсорбиращите скоби трябва да бъде по-малко от 2 mm / 0,08 in (фиг. 11).
- Няма признаци на захаяване, повреди или друго влошаване.
- Етикетите/маркировките на продукта са четливи.

Ако горепосочените изисквания не са изпълнени, устройството за спирание на падане трябва да бъде извадено от употреба и сменено или ремонтирано. Ремонтите могат да се извършват само от производителя.



Предупреждение!

Устройството за спирание на падане, което е предотвратило падане на потребителя от високо, трябва да бъде извадено от експлоатация.

7 ПОДДРЪЖКА

ПОЧИСТВАНЕ

Почиствайте с вода. При никакви обстоятелства не използвайте разтворители или киселинни/алкални почистващи препарати. Оставете да изсъхне естествено на добре проветриво място, далеч от открит огън или други източници на топлина.

ПОЛЕЗЕН ЖИВОТ

Правилното поддържане за Вашето ЛПС ще Ви помогне да осигурите по-дълъг живот на продукта и Вашата безопасност.

Експлоатационният живот на устройството за спирание на падане зависи от честотата на използване и условията на работа. По време на годишни проверки, извършвани от оторизирано лице или орган, устройството за спирание на падане ще бъде пуснато за по-нататъшна употреба само ако продуктът и неговите компоненти са в добро състояние.

ТРАНСПОРТИРАНЕ И СЪХРАНЕНИЕ

По време на транспортиране и съхранение се уверете, че вашето ЛПС се намира далеч от източници на топлина, влажност, корозивна среда, ултравиолетови лъчи и т.н. и избягвайте всякакви удари или прекомерни вибрации.

8 УПРАВЛЕНИЕ НА АРТИКУЛИ

VC510 и VC570 представят уникални серийни номера от страни на външната кутия (вижте Маркировката на продукта, точка 'N').

RFID

VC570 включва RFID (радиочестотна идентификация) етикет, съдържащ уникален идентификационен номер, който може да се използва за проследяване на артикула съгласно ISO 18000-63. RFID позволява бързи проверки на място и предоставя информация, включително номер на модел, дата на производство, проверка/партиден номер и изпълнени стандарти. В допълнение към типа четец и RFID етикета, оптималното разстояние за четене на RFID варира в зависимост от четеща, ориентацията на етикета и материала.

RFID етикетът се намира под пластмасовия капак на устройството за спирание на падане - вижте маркировката на продукта.



СПЕЦИФИКАЦИЯ

- Глобална честота: 840 ~ 940 MHz
- Памет EPC 128 бита, TID: 96 бита
- Съхранение на данни: 20 години

ПРЕПОРЪКИ

След почистване на ЛПС, сканирайте Вашата RFID етикет, за да проверите дали не е повреден.

9 ОПАЗВАНЕ НА ОКОЛНАТА СРЕДА



Символът WEEE показва, че този продукт не може да се третира като битов отпадък.

Уверете се, че продуктът е изхвърлен правилно за защита на околната среда. За по-подробна информация относно рециклирането на този продукт, моля, свържете се с местните власти, Вашия доставчик на услуги за изхвърляне на битови/промишлени отпадъци или обекта за продажба на продукта.

Söll VC500 – pohyblivý zachycovač pádu pro vertikální systém zachycovače pádu Söll Vi-Go/Antec CABMAX

1 VŠEOBECNÉ INFORMACE

ODKAZY NA NORMY

Tento produkt splňuje níže uvedený seznam norem a směrnic. Uživatel má povinnost dodržovat příslušné normy uvedené v tomto manuálu.

Níže uvedené referenční skupiny norem/směrnic jsou platné dle daného trhu, např. pokud se produkt používá v Evropské unii (EU), musí uživatel dodržovat normy/směrnice EU a všechny další normy zmíněné v těchto pokynech nejsou relevantní.

V tomto dokumentu je pevně zajišťovací vedení označováno také jako „kabel“ nebo „vodící kabel“.

EVROPSKÉ NORMY

EN 353-1+A1:2017-12 – Pohyblivé zachycovače pádu včetně zajišťovacího vedení – Část 1: Pohyblivé zachycovače pádu včetně pevného zajišťovacího vedení

CNB/P/11.119 – Nařízení o OOP (EU) 2016/425

AMERICKÉ NORMY A NAŘÍZENÍ

ANSI-ASC A14.3-2008 – Bezpečnostní požadavky pro ukotvení k žebříkům

ANSI/ASSE Z359.16-2016 – Bezpečnostní požadavky pro záchytné systémy pro lezení na žebříku BOZP 1910.29 & 1926.502

KANADSKÉ NORMY

CSA Z259.2.5-17 – Zachycovače pádu a vertikální záchranná lana

BRAZILSKÉ NORMY

NBR 14627 – Equipamento de proteção individual contra queda de altura – Travaquada guiado em linha rígida

2 SYSTÉM

Záchytné systémy řady Söll VC500 se mohou používat s vertikálními systémy pro zachycení pádu Söll Vi-Go/ Antec CABMAX (dále jen „systém pro zachycení pádu“) a splňují normy uvedené v tabulce níže:

		Söll Vi-Go systém			ANTEC Cabmax
		bez horního tlumiče nárazu	s horním tlumičem nárazu FPH_30176	s horním tlumičem nárazu typu TRTB/	
Zachycovač pádu	Söll VC510	<ul style="list-style-type: none"> • ANSI A14.3-2018 • OSHA 1910.29 & 1926.502 • EN 353-1+A1:2017-12 • UKCA 	<ul style="list-style-type: none"> • ANSI A14.3-2018* • OSHA 1910.29 & 1926.502* 	<ul style="list-style-type: none"> • ANSI A14.3-2018 • OSHA 1910.29 & 1926.502 	<ul style="list-style-type: none"> • EN 353-1+A1:2017-12
	Söll VC570	<ul style="list-style-type: none"> • ANSI Z359.16-2016 • OSHA 1910.29 & 1926.502 • CSA Z259.2.5-17 • EN 353-1+A1:2017-12 • UKCA 	<ul style="list-style-type: none"> • ANSI Z359.16-2016* • OSHA 1910.29 & 1926.502* 	<ul style="list-style-type: none"> • ANSI Z359.16-2016 • OSHA 1910.29 & 1926.502 • CSA Z259.2.5-17 	X

*Pouze s 10 mm (3/8 palce) kabely a součástmi z nerezové oceli.

Všechny zachycovače pádu řady Söll VC500 se mohou používat s vertikálními systémy pro zachycení pádu s automatickými nebo manuálními průchodnými konzolami s 8mm nebo 10mm kabely. Bližší informace naleznete v pokynech pro instalaci systému Söll Vi-Go.

3 BEZPEČNOSTNÍ OPATŘENÍ

Každý, kdo pracuje se systémem pro zachycení pádu nebo na tomto systému, musí být před použitím systému obeznán s těmito pokyny. Při používání zařízení pro zachycení pádu by se neměly překračovat jeho omezení a neměl by se používat pro jiný účel, než k jakému je určen. Použití, které není v souladu s těmito pokyny, představuje ohrožení lidského života. Osoby pracující s tímto zařízením musí před zahájením používání zařízení a znovu alespoň jednou ročně projít školením zahrnujícím tyto informace pro uživatele. Zjistěte, aby bezpečnostní funkce některého z komponentů nebyla ovlivněna bezpečnostní funkcí jiného komponentu a aby se vzájemně nerušily. Pokud se produkt prodává mimo první cílovou zemi, musí odprodávající subjekt zajistit, aby produkt splňoval zákony platné v takové zemi a poskytnout pokyny k produktu v příslušném jazyce.

Osoba pracující se systémem pro zachycení pádu i uživatel zachycovače pádu musí zajistit, aby byl tento manuál vždy vhodně skladován a byl kdykoli k dispozici k nahlédnutí.

Musí být dodržována národní nařízení o prevenci nehod a používání bezpečnostního vybavení pro stavební práce.

Pohyblivý zachycovač pádu je nedílnou součástí systému pro zachycení pádu v souladu s EN 353-1:2014+A1:2017, CSA Z259.2.5-17, ANSI A14.3-2008, a ANSI Z359.16-2016 a je navržen pro použití jako osobní ochranný prostředek. Aby osoba provozující systém zajistila řádné použití systému pro zachycení pádu, musí zajistit, aby byly celotělový postroj a zachycovač pádu používány podle těchto pokynů. Po použití se nesmí zachycovač pádu nechat napojený na systém pro bezpečné lezení. Zachycovač pádu se musí používat pouze v originálním systému pro zachycení pádu. Celotělový postroj je jediným přijatelným zařízením pro držení těla, které lze použít v systému pro zachycení pádu. Systém pro bezpečné lezení se musí používat pouze ve spojení s celotělovým postrojem, který byl zkontrolován a schválen v souladu s normami EN 361:2002-05, NBR 15836, CSA Z259.2.5-17, nebo ANSI Z359.16-2016 a je vybaven předním bodem připojení.

Pro spojení mezi zachycovačem pádu a celotělovým postrojem napojte karabinový háček zachycovače pádu na certifikovaný kotvící kroužek označený písmenem „A“ (platné pouze při dodržování EN 361:2002-05) na zádové části celotělového postroje. Vzdálenost mezi zachycovačem pádu a celotělovým postrojem se nesmí minimalizovat nebo prodlužovat (např. přidáním nebo odstraněním spojovacího prvku).

Délka karabinky se nesmí prodlužovat ani zkracovat.

Na systém mohou být v jednom okamžiku napojeni **maximálně 4 uživatelé** (včetně uživatelů upevněných ke kotvícímu bodu, když se používá prodloužená plošina). S výjimkou záchranných operací smí v jednom okamžiku stejný segment vertikálního kabelu mezi sousedními konzolami pro vodící kabely používat pouze jedna osoba. Každý uživatel musí být zajištěn samostatným zachycovačem pádu. Pohyblivý zachycovač pádu je určen pro použití **pouze jednou osobou**. Vzdálenost mezi uživateli **nesmí být menší než 3 m** (obr. 1). Skutečný počet uživatelů závisí na nosnosti základové struktury.

Minimální zátěž uživatele bez oblečení a vybavení je **50 kg**. Maximální zátěž uživatele včetně oblečení a vybavení je **140 kg** a nesmí být překročena.

Pohyblivý zachycovač pádu se nesmí používat pro polohování při práci. Pokud je třeba polohování při práci, musí se použít vybavení pro polohování při práci.

Aby se zajistila bezpečnost, nesmíte se zachycovače pádu během stoupání/klesání dotýkat.

Fixační body pro kabel systému pro zachycení pádu se nesmí používat pro zajištění nákladu.

Před a během použití instalovaného systému pro zachycení pádu se musí systém vizuálně zkontrolovat, aby se zajistil jeho řádný provoz.

Pracovní teplota je **-40 °C až +70 °C**; zjistěte, že se na systému nevyskytuje mastnota, olej a led. Osoba provozující zařízení musí konzultovat své zdraví s lékařem a nesmí být pod vlivem alkoholu, drog nebo léků, které by mohly ovlivnit bezpečné použití produktu.



Důležité!

Uživatel nemusí být dostatečně chráněn před dopadem na zem nebo na překážku, pokud je ve výšce menší než 3 m. Před použitím systému pro bezpečné lezení se přesvědčte, že pod chodidly uživatele je požadovaný volný prostor.



Varování

Před použitím tohoto zachycovače pádu si uživatel musí přečíst a pochopit tento manuál a veškeré doplňující pokyny poskytnuté během školení nebo dodané společně se zachycovačem pádu nebo systémem pro zachycení pádu.



Varování

Jakékoli úpravy nebo doplňování zachycovače pádu řady Söll VC500 bez písemného souhlasu výrobce mohou zamezit řádnému fungování zachycovače pádu a jsou proto zakázány.

**UCHOVEJTE SI TENTO MANUÁL PRO BUDOUCÍ POUŽITÍ –
NEVYHAZUJTE HO!**

4 PRODLOUŽENÁ PLOŠINA KOTVICÍHO ZAŘÍZENÍ

Prodložená plošina Honeywell Söll Vi-Go je certifikovaný kotvicí bod pro ochranu před pádem pro:

- 2 osoby dle EN 795:2012 a CEN/TS 16415:2013
- 1 osobu dle ANSI Z359.18.

Oko ocelové kotvicí desky (obr. 2, pozice 1) slouží jako kotvicí bod.

Uživatel proto může být chráněn před pádem při přechodu ze svislého do vodorovného směru pohybu. U vstupu a v pracovním prostoru se vyvarujte bodů, kde můžete zakopnout.



Varování!

Kotvicí zařízení se nesmí používat, pokud bylo oko kotvy zatíženo pádem. V takovém případě musí kotvicí zařízení zkontrolovat autorizovaná osoba a v případě potřeby se musí vyměnit.

Prodložená plošina kotvicího zařízení se smí používat pouze v kombinaci s následujícím bezpečnostním vybavením:

- systém osobní ochrany před pádem v souladu s EN 363 nebo ANSI/ASSP Z359.1:2020-00
- zařízení pro pohlcování energie v souladu s EN 355 nebo ANSI/ASSP Z359.13:2013-00
- záchranné systémy v souladu s EN 1496 nebo ANSI/ASSP Z359.4:2013-00, EN 1479, EN 1498 a ANSI/ASSP Z359.4:2013-00

Systém osobního vybavení pro ochranu před pádem (pouze se zařízením pro pohlcování energie) nebo záchranný systém se musí zvolit tak, aby se předešlo kolizi uživatele se zemí nebo kolizi s jinými překážkami. Dodržujte uživatelské pokyny výrobce.

Abyste se dostali k zajištění před pádem, musí být karabinový hák (obr. 3, pozice 2) spojovacího zařízení instalován v oku ocelové kotvicí desky (obr. 3, pozice 1) a uzamčený, aby se předešlo neúmyslnému odpojení.



Nebezpečí!

Karabinový hák spojovacího zařízení se nesmí od kotvicího zařízení odpojit, dokud není uživatel chráněn před pádem pomocí jiného řešení.

5 POUŽITÍ



Důležité!

5.1 INSPEKCE PŘED LEZENÍM:

- Před každým použitím proveďte inspekci použitelnosti kabelu, napětí kabelu, zachycovače pádu a karabin.
- Systém pro zachycení pádu se nesmí používat, pokud vykazuje defekty nebo v případě pochybnosti o jeho řádném fungování. Před dalším použitím je nutná inspekce autorizovanou osobou a musí se vyměnit vadné součásti.
- Před použitím systému pro zachycení pádu musí existovat platný záchranný plán.



Varování

Pokud se postroj během výstupu nebo sestupu uvolní, dostaňte se na bezpečné místo a proveďte správné nastavení.

Při práci na trasách pro výstup nebo vedle nich a během pracovních úkolů a akcí, které nejsou součástí běžných přesunů při výstupu a sestupu, musí být lezoucí osoba dodatečně zajištěna upevňovacím lanem v souladu s EN 354 nebo polohovacím lanem v souladu s EN 358:2018-11 nebo ANSI/ASSP Z 359.4:2013-00. To platí také pro pozici při nečinnosti během odpočinku na žebříku zachycovače pádu. Používat se musí pouze vhodná kotvicí zařízení. Ve všech takových situacích se lano musí pevně držet, aby se zabránilo pádu.



Důležité!

Zachycovače pádu řady Söll VC500 se musí používat pouze se systémy s náklonem max. 15° od vertikální osy ve všech směrech.



Důležité!

Zachycovač pádu dle EN 353-1+A1:2017-12, CSA Z259.2.5-17, ANSI A14.3-2008, ANSI Z359.16-2016 a NBR 14627 smí používat pouze osoby, které:

- byly proškoleny nebo mají jinou autorizaci
- přímo na ně dohlíží proškolená nebo autorizovaná osoba

5.2 PŘIPOJENÍ K SYSTÉMU:

- Design produktu umožňuje upevnění na 8mm nebo 10mm pozinkované nebo nerezové ocelové kabely, které jsou součástí systému Söll Vi-Go.
- Zachycovač pádu má mechanismus, který pomáhá předcházet tomu, aby byl zachycovač pádu nesprávně připojen ke kabelu.

5.3 NAPOJENÍ ZACHYCOVAČE PÁDU NA CELOTĚLOVÝ POSTROJ:

- Stáhněte dolů vroubkovanou vodící objímku karabiny.
- Pak vroubkovanou vodící objímku otočte a zatlačte dovnitř.
- Připevněte ji přímo na zádové napojení celotělového postroje.
- Pusťte vroubkovanou vodící objímku, která se automaticky uzamkne.



Nebezpečí!

Nezabezpečená karabina (otevřená vroubkovaná vodící objímka) je nebezpečná pro lidský život. Břišní nebo hrudní popruh celotělového postroje musí pevně přiléhat k tělu (obr. 4).



Nebezpečí!

Karabina zachycovače pádu musí být vložena přímo do zádového napojovacího bodu celotělového postroje (obr. 5, 6, 7).

5.4 VKLÁDÁNÍ VODICÍHO KABELU

VC510

- Držte zachycovač pádu tak, aby šípka na krytu směřovala nahoru.
- Dejte nahoru brzdicí páčku a zdvihněte karabinu (obr. 8a).
- Zatahněte za uzamykací knoflík směrem od zachycovače pádu a pak ho posuňte směrem od kabelu (obr. 8b).
- Skrz mezeru, kterou máte nyní otevřenou v plášti zachycovače pádu, umístěte zachycovač pádu na kabel tak, aby šípka pláště směřovala nahoru (obr. 8c).
- Pusťte brzdicí páčku a uzamykací knoflík.
- Söll VC510 je nyní napojen na vodící kabel.
- Zkontrolujte, zda může zachycovač pádu volně klouzat vertikálním směrem po vodícím kabelu.
- Zkontrolujte fungování uzamykacího a záchytného mechanismu tak, že posunete brzdicí páčku.

VC570

- Držte zachycovač pádu tak, aby šípka na krytu směřovala nahoru.
- Dejte nahoru brzdicí páčku a zdvihněte karabinu (obr. 9a).
- Zamáčkněte horní knoflík do těla zachycovače pádu (obr. 9b, pozice 1).
- Přimáčkněte aktivační mechanismus na tělo zachycovače pádu (obr. 9b, pozice 2).
- Skrz mezeru, kterou máte nyní otevřenou v plášti zachycovače pádu, umístěte zachycovač pádu na kabel tak, aby šípka pláště směřovala nahoru (obr. 9c).
- Uvolněte brzdicí páčku, knoflík a spouštěcí mechanismus.
- Söll VC570 je nyní napojen na vodící kabel.
- Zkontrolujte, zda může zachycovač pádu volně klouzat vertikálním směrem po vodícím kabelu.
- Zkontrolujte fungování uzamykacího a záchytného mechanismu tak, že posunete brzdicí páčku.

5.5 ODSTRANĚNÍ ZACHYCOVAČE PÁDU Z VODICÍHO KABELU



Varování!

Před odstraněním zachycovače pádu z vertikálního kabelu nebo při odepínání z postroje se musí uživatel zajistit a chránit před pádem z výšky jiným způsobem.

VC510

- Dejte nahoru brzdicí páčku a zdvihněte karabinu.
- Zatahněte za uzamykací knoflík směrem od zachycovače pádu a pak ho posuňte směrem od kabelu.
- Skrz mezeru, kterou máte nyní otevřenou v plášti zachycovače pádu, vyndejte zachycovač pádu.
- Pusťte brzdicí páčku a uzamykací knoflík.

VC570

- Dejte nahoru brzdicí páčku a zdvihněte karabinu.
- Zamáčkněte horní knoflík do těla zachycovače pádu.
- Přimáčkněte aktivační mechanismus na tělo zachycovače pádu.
- Skrz mezeru, kterou máte nyní otevřenou v plášti zachycovače pádu, vyndejte zachycovač pádu.
- Uvolněte brzdicí páčku, knoflík a spouštěcí mechanismus.

6 INSPEKCE

Bezpečnost uživatele závisí na trvalé efektivnosti a trvanlivosti vybavení. V závislosti na místní legislativě, frekvenci používání a okolních podmínkách musí kompetentní osoba provádět inspekci zachycovače pádu v pravidelných intervalech a minimálně každých 12 měsíců, jak je uvedeno v normách ANSI Z359 / EN 365. Pravidelné inspekce může provádět pouze kompetentní osoba, a to přísně v souladu s postupy stanovenými výrobcem pro periodické inspekce.

Před každým použitím a během periodických inspekci se musí zachycovač pádu vizuálně zkontrolovat, aby se zajistilo následující:

- Mezera mezi uzamykacím mechanismem a pláštěm zachycovače pádu nesmí být větší než 5 mm (obr. 10).
- Mezera mezi oky pohlcovače musí být menší než 2 mm (obr. 11).
- Produkt nevykazuje známky obnošení, poškození nebo jiného snížení kvality.
- Štítky/označení produktu jsou čitelné.

Pokud nejsou výše uvedené požadavky splněny, musí být zachycovač pádu vyřazen z užívání a vyměněn nebo opraven. Opravy může provádět pouze výrobce.



Varování!

Zachycovač pádu, který zachytil uživatele při pádu z výšky, musí být vyřazen z užívání.

7 ÚDRŽBA

ČIŠTĚNÍ

Čistěte vodou. Nepoužívejte za žádných okolností rozpouštědla nebo čisticí prostředky obsahující kyselé/zásadité ingredience. Nechejte produkt přirozeně uschnout v dobře větraném prostoru mimo dosah otevřeného ohně nebo jiných zdrojů tepla.

ŽIVOTNOST

Rádná péče o váš OOP zajistí lepší životnost produktu a vaši bezpečnost.

Provozní životnost zachycovače pádu závisí na frekvenci použití a provozních podmínkách. Během každoročních inspekci prováděných autorizovanou osobou nebo orgánem bude zachycovač pádu vydán k dalšímu používání pouze tehdy, pokud jsou produkt a jeho součásti v dobrém stavu.

PŘEPRAVA A SKLADOVÁNÍ

Během přepravy a skladování zajistěte, aby byl váš OOP umístěn mimo zdroj tepla a vlhkosti, mimo korozivní atmosféru, ultrafialové paprsky atp. a vyhněte se působení nadměrných vibrací.

8 SPRÁVA POLOŽEK

VC510 & VC570 představují jedinečná sériová čísla na straně vnějšího těla (viz Označení produktu, bod „N“).

RFID

VC570 obsahuje visačku RFID (radiofrekvenční identifikace) obsahující jedinečné identifikační číslo, které lze použít pro sledování majetku dle ISO 18000-63. RFID umožňuje rychlou terénní inspekci a specifikuje informace včetně čísla modelu, data výroby, čísla inspekce/šarže a splnění norem. Kromě typu čtečky a visačky RFID se optimální vzdálenost načtení RFID liší v závislosti na čtečce, směru visačky a materiálu.

Visačka RFID se nachází pod plastovým krytem zachycovače pádu – viz označení produktu.



SPECIFIKACE

- Globální frekvence: 840 ~ 940 MHz
- Paměť EPC 128 bit, TID: 96bit
- Uchování údajů: 20 let

DOPORUČENÍ

Po vyčištění OOP naskenujte RFID visačku, abyste ověřili, že nedošlo k poškození.

9 OCHRANA ŽIVOTNÍHO PROSTŘEDÍ



Symbol QEEZ značí, že s produktem se smí nakládat jako s odpadem z domácnosti.

V rámci ochrany životního prostředí zajistěte správné uložení produktu do odpadu. Podrobnější informace o recyklaci tohoto produktu vám sdělí vaše místní samospráva, váš poskytovatel služeb likvidace domácího/průmyslového odpadu nebo prodejní místo, kde jste produkt zakoupili.

Söll VC500 – guidet faldsikring til det lodrette faldsikringsystem Söll Vi-Go/Antec CABMAX

1 GENERELLE OPLYSNINGER

NORMREFERENCER

Dette produkt tager hensyn til nedenstående liste over standarder og direktiver. Det er brugerens ansvar at overholde de relevante standarder, der tages hensyn til i denne manual.

De nedenstående referencegrupper for standarder/direktiver er gældende afhængigt af markedet. Dvs., hvis produktet anvendes i Den Europæiske Union (EU), så skal brugeren overholde EU-standarder/-direktiver, og alle andre standarder, der nævnes i brugervejledningen vil ikke være relevante.

I dette dokument betegnes en uelastisk forankringsline også som et "kabel" eller et "styretræk".

EUROPÆISKE STANDARDER

EN 353-1+A1:2017-12 – personligt faldsikringsudstyr – Glidesystemer med en ankerline – Del 1: Glidesystemer med en uelastisk ankerline

CNB/P/11.119 – PV-forordning (EU) 2016/425

AMERIKANSKE STANDARDER OG FORSKRIFTER

ANSI-ASC A14.3-2008 – Ladders-Fixed-Safety Requirements (Sikkerhedsregler for fastgjorte stiger)

ANSI/ASSE Z359.16-2016 – Safety Requirements for Climbing Ladder Fall Arrest Systems (Sikkerhedsregler for faldsikringsystemer til klatrestiger)

OSHA 1910.29 og 1926.502

CANADISKE STANDARDER

CSA Z259.2.5-17 – Fall Arresters and vertical lifelines (Faldsikringer og lodrette redningslinjer)

BRASILIANISKE STANDARDER

NBR 14627 – Equipamento de proteção individual contra queda de altura – Travaquada guiado em linha rígida

2 SYSTEM

Faldsikringerne i Söll VC500-serien kan bruges med et Söll Vi-Go/Antec CABMAX lodret faldsikringsystem (herefter benævnt "faldsikringsystemet") og overholder standarderne i den følgende tabel:

		Söll Vi-Go system			ANTEC Cabmax
		uden øvre støddæmper	med øvre støddæmper FPH_30176	med øvre støddæmper type TRTB/	
Faldsikring	Söll VC510	<ul style="list-style-type: none"> • ANSI A14.3-2018 • OSHA 1910.29 & 1926.502 • EN 353-1+A1:2017-12 • UKCA 	<ul style="list-style-type: none"> • ANSI A14.3-2018* • OSHA 1910.29 & 1926.502* 	<ul style="list-style-type: none"> • ANSI A14.3-2018 • OSHA 1910.29 & 1926.502 	• EN 353-1+A1:2017-12
	Söll VC570	<ul style="list-style-type: none"> • ANSI Z359.16-2016 • OSHA 1910.29 & 1926.502 • CSA Z259.2.5-17 • EN 353-1+A1:2017-12 • UKCA 	<ul style="list-style-type: none"> • ANSI Z359.16-2016* • OSHA 1910.29 & 1926.502* 	<ul style="list-style-type: none"> • ANSI Z359.16-2016 • OSHA 1910.29 & 1926.502 • CSA Z259.2.5-17 	X

*Kun med 10 mm (3/8 tomme) kabler og komponenter i rustfrit stål.

Alle faldsikringer i Söll VC500-serien kan bruges sammen med lodrette faldsikringsystemer med automatiske eller manuelle gennemgangsbefæstigelses med 8 mm (5/16 tommer) eller 10 mm (3/8 tommer) kabler. Yderligere oplysninger kan findes i Söll Vi-Go-systemets installationsguide.

3 SIKKERHEDSFORANSTALTNINGER

Enhver, der arbejder med eller på faldsikringsystemet skal være bekendt med disse forskrifter, inden de anvender systemet. Faldsikringsudstyret bør ikke bruges ud over dets grænser eller til ethvert andet formål end det, det er beregnet til. Anvendelser, der ikke overholder disse forskrifter, sætter menneskers liv i fare. Brugere skal gives træning, der dækker disse forskrifter og brugeroplysningerne, inden de påbegynder arbejdet og derudover mindst én gang om året. Sørg for, at sikkerhedsfunktionen af nogen af komponenterne ikke påvirkes af en andens sikkerhedsfunktion, og at de ikke forstyrrer hinanden. Hvis produktet sælges uden for det første destinationsland, skal videreforhandleren sørge for, at produktet overholder den lovgivning, der er gældende i det land og forsyne produktets forskrifter i det relevante sprog.

Faldsikringsystemets operatør såvel som faldsikringens bruger skal sørge for at denne manual altid opbevares behørigt og at den frit kan læses til enhver tid.

Nationale forskrifter om ulykkesbekæmpelse og brugen af sikkerhedsudstyr til byggearbejde skal overholdes.

Glidesystemer er en uundværlig del af faldsikringsystemet i overensstemmelse med EN 353-1:2014+A1:2017, CSA Z259.2.5-17, ANSI A14.3-2008 og ANSI Z359.16-2016, og er beregnet til at blive anvendt som personligt beskyttelsesudstyr. For at sikre at faldsikringsystemet bruges korrekt, skal operatøren sørge for at kropsselen og faldsikringen bruges i henhold til disse forskrifter. Faldsikringen må ikke efterlades forbundet til det sikre klatresystem, når det ikke anvendes. Faldsikringen må kun bruges som del af det oprindelige faldsikringsystem. En kropssæle er den eneste acceptable enhed til kropsfastholdelse, der kan anvendes i et faldsikringsystem. Det sikre klatresystem må kun anvendes sammen med en kropssæle, der er blevet inspiceret og godkendt i henhold til EN 361:2002-05, NBR 15836, CSA Z259.2.5-17 eller ANSI Z359.16-2016 og som er udstyret med et fastgørelsespunkt foran.

For at opnå forening mellem faldsikringen og kropsselen skal karabinhagen på faldsikringen forbindes til den certificerede forankringsring, der er mærket med et "A" (gælder kun i overensstemmelse med EN 361:2002-05) på kropssæledelen på brystet. Afstanden mellem faldsikringen og kropsselen må hverken forkortes eller forlænges (f.eks. ved at tilføje eller fjerne en forbindelse).

Karabinhagens længde må hverken forlænges eller forkortes.

Maks. 4 brugere må være fastgjort til systemet samtidigt (herunder brugere, der er fastgjort til forankringspunktet, når platformsføreløsløsningen anvendes). Kun én person må bruge samme stykke lodret kabel mellem mellemliggende kabelføringsholdere med undtagelse af, når der er tale om redningsaktioner. Hver bruger skal være fastgjort til hver sin faldsikring. Glidesystemer er kun egnede til anvendelse af **1 person**. Afstanden mellem brugere må **ikke være mindre end 3 m/10 fod** (figur 1). Det faktiske antal brugere afhænger af underkonstruktionens bæreevne.

Minimumsvægten for brugeren uden medregning af tøj og udstyr er **50 kg**. Den maksimale vægt af brugeren med tøj og udstyr medregnet er **140 kg** og må ikke overstiges.

Glidesystemer må ikke anvendes til arbejdspositionering. Hvis der kræves arbejdspositionering, skal der anvendes arbejdspositioneringsudstyr.

Faldsikringen må ikke røres under op-/nedstigning for at opretholde sikkerheden.

Fastgørelsespunkterne til faldsikringsystemets kabel må ikke bruges til at fastgøre læs.

Det installerede faldsikringsystem skal inspiceres visuelt før og under anvendelsen for at sikre, at den fungerer korrekt.

Arbejdstemperaturen er **-40 °C til +70 °C / -40 °F til 158 °F**. Sørg for at der ikke er fedt, olie eller is på systemet. Operatøren skal søge råd hos en læge om deres sundhed og må ikke være påvirket af alkohol, stoffer eller medicin, der kunne have indvirkning på deres sikre anvendelse af produktet.



Vigtigt!

Brugeren har muligvis ikke tilstrækkelig beskyttelse mod at ramme jorde eller forhindringer, hvis de er i en højde under 3 m/10 fod. Sørg for, at der er tilstrækkelig frihøjde under brugerens fødder, inden systemet til sikker klatring anvendes.



Advarsel

Inden denne faldsikring anvendes, skal brugeren læse og forstå denne forskriftsmanual og eventuelle yderligere forskrifter, der gives under uddannelsen, eller som gives sammen med faldsikringen eller faldsikringsystemet.



Advarsel

Enhver ændring eller tilføjelse til faldsikringen fra Söll VC500-serien uden at indhente skriftligt godkendelse fra producenten kan forhindre faldsikringen i at fungere ordentligt og er derfor ikke tilladt.

BEHOLD DENNE MANUAL TIL SENERE OPLYSNING – SMID DEN IKKE VÆK!

4 FORANKRINGSENHED TIL PLATFORMSFORLÆNGELSE

Honeywell Söll Vi-Go-platformsforlængelsen er et godkendt forankringspunkt til faldsikring af:

- **2 personer** i overensstemmelse med EN 795:2012 og CEN/TS 16415:2013
- **1 person** i overensstemmelse med ANSI Z359.18.

Øjet på forankringens stålplade (figur 2, pos. 1) er et forankringspunkt.

Brugeren kan derfor beskyttes mod at falde, når de skifter mellem lodret og vandret fremfærd. Snublerisici ved indgangen og arbejdsområdet skal undgås.



Advarsel!

Forankringseenheden må ikke anvendes, hvis forankringsøjet er blevet belastet af et fald. I så fald skal forankringseenheden kontrolleres af en autoriseret person og om nødvendigt udskiftes.

Forankringseenhedens platformsudvidelse må kun anvendes sammen med følgende sikkerhedsudstyr:

- personlige faldsikringssystemer i overensstemmelse med EN 363 eller ANSI/ASSP Z359.1:2020-00
- energiabsorberende anordninger i overensstemmelse med EN 355 eller ANSI/ASSP Z359.13:2013-00
- redningssystemer i overensstemmelse med EN 1496 eller ANSI/ASSP Z359.4:2013-00, EN 1479, EN 1498 og ANSI/ASSP Z359.4:2013-00.

Systemet med personligt faldsikringsudstyr (kun med en energiabsorberende anordning) eller redningssystemet skal vælges, så det undgås, at brugeren rammer jorden eller andre hindringer. Følg producentens brugerforskrifter. For at sikre mod fald skal karabinhagen (figur 3, pos. 2) på en forbunden enhed monteres i øjet på forankringsstålpladen (figur 3, pos. 1) og låses for at undgå utilsigtet frakobling.



Fare!

Karabinhagen på den forbundne enhed må ikke frakobles forankringseenheden, før brugeren beskyttes af en anden faldsikringsløsning.

5 ANVENDELSE



Vigtigt!

5.1 INSPEKTION INDEN KLATRING:

- Inden hver anvendelse skal brugbarheden af kablet, kabelspændingen, faldsikringen og karabinhagen inspiceres.
- Faldsikringssystemet må ikke anvendes, hvis der opdages defekter, eller hvis der er tvivl om, at den kan fungere korrekt. En inspektion fra en autoriseret person vil være nødvendig, inden videre anvendelse, og de defekte dele skal udskiftes.
- En redningsplan skal foreligge, inden faldsikringssystemet kan anvendes.



Advarsel

Hvis selen løsner sig under op- eller nedstigningen, bør du finde en sikker position og justere selen, så den passer. Når der arbejdes i eller ved siden af opstigningsruten samt under arbejde og handlinger, der ikke udgør en del af de normale op- og nedstigningsbevægelser, skal klatreren ydermere fastgøre dem selv med en sikkerhedsline i overensstemmelse med EN 354 eller med en sikkerhedsline til arbejdspositionering i overensstemmelse med EN 358:2018-11 eller ANSI/ASSP Z 359.4:2013-00. Dette gælder også for hvilepositioner, når man hviler sig på faldsikringsstigen. Der må kun anvendes egnede forankringseenheder. Sikkerhedslinien skal i alle disse situationer holdes stram for at forhindre, at man falder.



Vigtigt!

Söll VC500-faldsikringsserien må kun anvendes sammen med systemer med en hældning på maks. 15° fra lodret i alle retninger.



Vigtigt!

Faldsikringen i henhold til EN 353-1+A1:2017-12, CSA Z259.2.5-17, ANSI A14.3-2008, ANSI Z359.16-2016, og NBR 14627 må kun anvendes af personer, der:

- er blevet uddannet eller på anden måde er autoriseret
- vejledes direkte af en uddannet eller autoriseret person.

5.2 TILKOBLING TIL SYSTEMET:

- Designet tillader fastgørelse til en **8 mm (5/16 tommer)** eller **10 mm (3/8 tommer)** kabel af galvaniseret eller rustfrit stål, der er en del af Söll Vi-Go-systemet.
- Faldsikringen har en mekanisme, der hjælper med at forhindre, at faldsikringen fastgøres til kablet på forkert vis.

5.3 FASTGØRELSE AF FALDSIKRINGEN TIL KROPSSELEN:

- Hiv ned på karabinhagens riflede bøsning.
- Drej derefter den riflede bøsning, og tryk den indad.
- Fastgør den direkte til kropsselens forbindelse på brystet.
- Slip den riflede bøsning; den vil låse sig selv automatisk.



Fare!

En Karabinhage, der ikke er gjort sikkert fast (en åben riflet bøsning) bringer menneskeliv i fare. Kropsselens underlivs- eller brystrem skal passe tæt til kroppen (figur 4).



Fare!

Faldsikringens karabinhage skal sættes direkte i kropsselens fastgørelsespunkt på brystet (figur 5, 6, 7).

5.4 ISÆTTELSE AF STYREKABLET

VC510

- Hold faldsikringen, så pilen på kabinettet peger opad.
- Løft karabinhagen mens bremsehåndtaget er løftet (figur 8a).
- Træk låseknappen væk fra faldsikringen, og glid den derefter væk fra kablet (figur 8b).
- Faldsikringen skal placeres på kablet gennem den åbning, der nu er i faldsikringens afdækning, så pilen på afdækningen peger opad (figur 8c).
- Frigør så bremsehåndtaget og låseknappen.
- Söll VC510 er nu forbundet til styrekablet.
- Tjek om faldsikringen frit kan glide lodret langs styrekablet.
- Tjek, at låse- og palmekanismerne fungerer, ved at bevæge bremsehåndtaget.

VC570

- Hold faldsikringen, så pilen på kabinettet peger opad.
- Løft karabinhagen mens bremsehåndtaget er løftet (figur 9a).
- Tryk den øverste knap ned og ind i faldsikringens legeme (figur 9b, pos. 1).
- Tryk udløseren ned og ind i faldsikringens legeme (figur 9b, pos. 2).
- Faldsikringen skal placeres på kablet gennem den åbning, der nu er i faldsikringens afdækning, så pilen på afdækningen peger opad (figur 9c).
- Frigør så bremsehåndtaget, knappen og udløseren.
- Söll VC570 er nu forbundet til styrekablet.
- Tjek om faldsikringen frit kan glide lodret langs styrekablet.
- Tjek, at låse- og palmekanismerne fungerer, ved at bevæge bremsehåndtaget.

5.5 FJERNELSE AF FALDSIKRINGEN FRA STYREKABLET



Advarsel!

Brugere skal på anden vis være sikret og beskyttet mod fald fra højder, inden faldsikringen fjernes fra det lodrette kabel eller frakobles selen.

VC510

- Løft karabinhagen mens bremsehåndtaget er løftet.
- Træk låseknappen væk fra faldsikringen, og glid den derefter væk fra kablet.
- Faldsikringen fjernes så gennem den åbning, der nu er i faldsikringens afdækning.
- Frigør så bremsehåndtaget og låseknappen.

VC570

- Løft karabinhagen mens bremsehåndtaget er løftet.
- Tryk den øverste knap ned og ind i faldsikringens legeme.
- Tryk udløseren ned og ind i faldsikringens legeme.
- Faldsikringen fjernes så gennem den åbning, der nu er i faldsikringens afdækning.
- Frigør så bremsehåndtaget, knappen og udløseren.

6 EFTERSYN

Brugers sikkerhed afhænger af udstyrets fortsatte effektivitet og holdbarhed. Faldsikringerne bør, afhængig af lokal lovgivning, brugsfrekvensen og miljøforhold, regelmæssigt efterses af en kvalificeret person mindst hver 12. måned i henhold til ANSI Z359/EN 365. De periodiske eftersyn må kun udføres af en kvalificeret person og udelukkende i overensstemmelse med producentens procedurer for periodiske eftersyn.

Det installerede faldsikringssystem skal inspiceres visuelt før hver anvendelse og under det periodiske eftersyn for at sikre, at:

- Åbningen mellem låsemekanismen og faldsikringens afdækning må ikke være større end 5 mm/0,118 tommer (figur 10).
- Åbningen mellem løkkerne i den energiabsorberende enhed må ikke være større end 2 mm/0,08 tommer (figur 11).
- Der må ikke være nogen tegn på slid, skader eller anden forringelse.
- Produktets mærker/mærkning er læsbare.

Hvis de ovennævnte krav ikke opfyldes, skal faldsikringen tages ud af drift og enten udskiftes eller repareres. Reparationer må kun udføres af producenten.



Advarsel!

En faldsikring, der har standset en brugers fald fra en højde, skal tages ud af drift.

7 VEDLIGEHOLDELSE

RENGØRING

Rengør med vand. Anvend under ingen omstændigheder opløsningsmidler eller rengøringsmidler, der indeholder syrer/baser. Lad dem tørre på naturlig vis i et godt ventileret område væk fra åben ild eller andre varmekilder.

LEVETID

Korrekt vedligeholdelse af dit PV vil give en bedre produktlevetid og varetage din sikkerhed.

Faldsikringens driftslevetid afhænger af brugsfrekvensen og betjeningsforholdene. Ved de årlige eftersyn, der skal udføres af en autoriseret person eller organ, vil faldsikringen kun udleveres til videre brug, hvis produktet og dets komponenter er i en god stand.

TRANSPORT OG OPBEVARING

Når dit PV transporteres og opbevares, skal du sørge for, at det placeres langt væk fra varmekilder, fugt, ætsende atmosfærer, ultraviolet stråler osv. og undgå enhver stød eller overdreven vibration.

8 ENHEDSSTYRING

VC510 og VC570 unikke serienumre på siden af deres ydre del (se produktmærkning, punkt "N").

RFID

VC570 inkluderer en RFID-tag (radiofrekvensidentifikation) med et unikt identifikationsnummer, der kan bruges til sporing af aktiver i henhold til ISO 18000-63. RFID'et muliggør hurtige eftersyn i felten og viser oplysninger, herunder modelnummer, fremstillingsdato, eftersyn/partinummer, og de overholdte standarder. Ud over læsertypen og RFID-tagget varierer den optimale RFID-læsningsafstand afhængigt af læseren, taggets position og materialet.

RFID-tagget er placeret under plastikdækslet på faldsikringen – se produktmærkningen.



SPECIFIKATION

- Frekvens global: 840 ~ 940 MHz
- Hukommelse EPC 128bits, TID: 96 bit
- Datalagring: 20 år

ANBEFALINGER

Når du har rengjort dit PV, bør du scanne dit RFID-tag for at bekræfte, at det ikke er blevet beskadiget.

9 MILJØBESKYTTELSE



WEEE-symbolet angiver, at dette produkt ikke må behandles som husholdningsaffald.

For at beskytte miljøet bør du sørge for at bortskaffe produktet på korrekt vis. For at få uddybende oplysninger om hvordan dette produkt kan sendes til genbrug, bedes du kontakte din lokale myndighed, din tjenesteyder for bortskaffelse af husholdnings-/industriaffald eller produktets sælger.

Söll VC500 – Mitlaufendes Auffanggerät für das Steigschutzsystem Söll Vi-Go/Antec CABMAX

1 ALLGEMEINE INFORMATIONEN

NORMATIVE VERWEISE

Dieses Produkt bezieht sich auf die untenstehende Liste von Normen und Richtlinien. Es liegt in der Verantwortung des Benutzers, die in diesem Handbuch behandelten Normen einzuhalten.

Die unten aufgeführten Normen/Richtlinien sind je nach Markt anwendbar, z. B. wenn das Produkt in der Europäischen Union (EU) verwendet wird, muss der Benutzer die EU-Normen/Richtlinien einhalten und alle anderen im Benutzerhandbuch genannten Normen sind nicht relevant.

In diesem Dokument wird eine feste Führung auch als „Seil“ oder „Führungsseil“ bezeichnet.

EUROPÄISCHE NORMEN

EN 353-1+A1:2017-12 – Persönliche Schutzausrüstung gegen Absturz – Mitlaufende Auffanggeräte einschließlich einer Führung – Teil 1: Mitlaufende Auffanggeräte einschließlich fester Führung
 CNB/P/11.119 – PPE-Verordnung (EU) 2016/425

AMERIKANISCHE NORMEN UND VORSCHRIFTEN

ANSI-ASC A14.3-2008 – Ladders-Fixed-Safety Requirements

ANSI/ASSE Z359.16-2016 – Safety Requirements for Climbing Ladder Fall Arrest Systems
 OSHA 1910.29 & 1926.502

KANADISCHE NORMEN

CSA Z259.2.5-17 – Fall Arresters and vertical lifelines

BRASILIANISCHE NORMEN

NBR 14627 – Equipamento de proteção individual contra queda de altura – Travaquada guiado em linha rígida

2 SYSTEM

Die Auffanggeräte der Söll VC500 Serie können mit einem Söll Vi-Go/Antec CABMAX Steigschutzsystem (im Folgenden „das Steigschutzsystem“ genannt) verwendet werden und erfüllen die in der folgenden Tabelle angegebenen Normen:

		Söll Vi-Go System			ANTEC Cabmax
		ohne oberen Falldämpfer	mit oberen Falldämpfer FPH_30176	mit oberen Falldämpfer Typ TRTB/	
Auffanggerät	Söll VC510	<ul style="list-style-type: none"> • ANSI A14.3-2018 • OSHA 1910.29 & 1926.502 • EN 353-1+A1:2017-12 • UKCA 	<ul style="list-style-type: none"> • ANSI A14.3-2018* • OSHA 1910.29 & 1926.502* 	<ul style="list-style-type: none"> • ANSI A14.3-2018 • OSHA 1910.29 & 1926.502 	• EN 353-1+A1:2017-12
	Söll VC570	<ul style="list-style-type: none"> • ANSI Z359.16-2016 • OSHA 1910.29 & 1926.502 • CSA Z259.2.5-17 • EN 353-1+A1:2017-12 • UKCA 	<ul style="list-style-type: none"> • ANSI Z359.16-2016* • OSHA 1910.29 & 1926.502* 	<ul style="list-style-type: none"> • ANSI Z359.16-2016 • OSHA 1910.29 & 1926.502 • CSA Z259.2.5-17 	X

*Nur mit 10 mm (3/8 Zoll) Edelstahlseil und -komponenten.

Alle Auffanggeräte der Söll VC500 Serie können mit Söll Vi-Go Steigschutzsystemen mit automatischen oder manuellen Zwischenhaltern, mit 8 mm (5/16") oder 10 mm (3/8") Seilen verwendet werden. Weitere Informationen finden Sie in der Installationsanleitung für das Söll Vi-Go-System.

3 SICHERHEITSVORKEHRUNGEN

Alle Personen, die mit oder an dem Steigschutzsystem arbeiten, müssen mit dieser Anleitung vertraut gemacht werden, bevor sie das System benutzen. Die Absturzschutzsicherung darf nicht außerhalb ihrer Grenzen oder für einen anderen Zweck als den vorgesehenen verwendet werden. Eine Verwendung, die nicht im Einklang mit diesen Anweisungen steht, stellt eine Gefahr für das menschliche Leben dar. Die Bediener müssen vor Beginn der Arbeit und mindestens einmal jährlich eine Schulung erhalten, die diese Anweisungen und die Benutzerinformationen umfasst. Stellen Sie sicher, dass die Sicherheitsfunktion einer der Komponenten nicht durch die Sicherheitsfunktion einer anderen Komponente beeinträchtigt wird und dass sie sich nicht gegenseitig beeinträchtigen. Wenn das Produkt außerhalb des ersten Bestimmungslandes verkauft wird, muss der Wiederverkäufer sicherstellen, dass das Produkt mit den in diesem Land geltenden Gesetzen übereinstimmt und Anleitungen für das Produkt in der entsprechenden Sprache bereitstellen.

Sowohl der Betreiber des Steigschutzsystems als auch der Benutzer des Auffanggerätes müssen sicherstellen, dass dieses Handbuch stets ordnungsgemäß aufbewahrt wird und jederzeit zur Einsichtnahme zur Verfügung steht.

Die nationalen Vorschriften zur Unfallverhütung und zur Verwendung von Schutzausrüstungen bei Bauarbeiten müssen beachtet werden.

Das mitlaufende Auffanggerät ist ein integraler Bestandteil des Steigschutzsystems gemäß EN 353-1:2014+A1:2017, CSA Z259.2.5-17, ANSI A14.3-2008 und ANSI Z359.16-2016 und ist für die Verwendung als persönliche Schutzausrüstung konzipiert. Um eine ordnungsgemäße Verwendung des Steigschutzsystems zu gewährleisten, muss der Bediener sicherstellen, dass der Auffanggurt und das Auffanggerät gemäß dieser Anleitung verwendet werden. Nach der Benutzung darf das Auffanggerät nicht mit dem Steigschutzsystem verbunden bleiben. Das Auffanggerät darf nur im Original-Steigschutzsystem verwendet werden. Der Auffanggurt ist das einzige zulässige Körperhaltemittel, das in einem Steigschutzsystem verwendet werden kann. Das sichere Steigschutzsystem darf nur in Verbindung mit Auffanggurten verwendet werden, die gemäß EN 361:2002-05, NBR 15836, CSA Z259.2.5-17 oder ANSI Z359.16-2016 geprüft und zugelassen wurden und mit einem vorderen Befestigungspunkt ausgestattet sind.

Um eine Verbindung zwischen dem Auffanggerät und dem Auffanggurt herzustellen, verbinden Sie den Karabinerhaken des Auffanggerätes mit dem zertifizierten, mit „A“ gekennzeichneten Verankerungsring (nur anwendbar, wenn er der EN 361:2002-05 entspricht) am Brustbeinteil des Auffanggurts. Der Abstand zwischen dem Auffanggerät und dem Auffanggurt darf nicht verkleinert oder vergrößert werden (z. B. durch Hinzufügen oder Entfernen eines Verbindungsmittels).

Die Länge des Karabiners darf nicht verlängert oder verkürzt werden.

Es dürfen **maximal 4 Personen** gleichzeitig an dem System befestigt sein (einschließlich der Personen, die am Anschlagpunkt befestigt sind, wenn der Plattform Support verwendet wird). Außer bei Rettungseinsätzen darf jeweils nur eine Person das gleiche Segment des vertikalen Seils zwischen den Zwischenhalterungen für die Seilführung benutzen. Jeder Benutzer muss an einem separaten Auffanggerät gesichert werden. Das mitlaufende Auffanggerät ist nur für die Benutzung durch **1 Person** bestimmt. Der Abstand zwischen den Benutzern **muss mindestens 3 m / 10 ft** (Abb. 1) betragen. Die tatsächliche Anzahl der Benutzer hängt von der Tragfähigkeit der Grundkonstruktion ab.

Die Mindestlast des Benutzers ohne Kleidung und Ausrüstung beträgt **50 kg / 110 lb**. Die maximale Belastung des Benutzers einschließlich Kleidung und Ausrüstung beträgt **140 kg / 310 lb** und darf nicht überschritten werden.

Das mitlaufende Auffanggerät darf nicht zur Arbeitsplatzpositionierung verwendet werden. Wenn die Arbeitsplatzpositionierung erforderlich ist, muss eine Arbeitsplatzpositionierungsausrüstung verwendet werden. Das Auffanggerät darf während des Auf-/Abstiegs nicht berührt werden, um die sichere Funktion zu gewährleisten.

Die Befestigungspunkte für das Seil des Steigschutzsystems dürfen nicht zur Sicherung von Lasten verwendet werden.

Vor und während der Benutzung des installierten Steigschutzsystems muss das System einer Sichtprüfung unterzogen werden, um sicherzustellen, dass es ordnungsgemäß funktioniert.

Die Arbeitstemperatur beträgt **-40°C bis +70°C / -40°F bis 158°F**; stellen Sie sicher, dass das System frei von Fett, Öl und Eis ist. Der Benutzer muss sich mit seinem Arzt über seinen Gesundheitszustand beraten und darf nicht unter dem Einfluss von Alkohol, Drogen oder Medikamenten stehen, die die sichere Verwendung des Produkts beeinträchtigen könnten.



Wichtig!

In einer Höhe von weniger als 3 m / 10 ft ist der Benutzer möglicherweise nicht ausreichend vor dem Aufprall auf den Boden oder Hindernisse geschützt. Vergewissern Sie sich vor der Verwendung des Steigschutzsystems, dass der erforderliche Freiraum unter den Füßen des Benutzers vorhanden ist.



Warnung

Vor der Verwendung dieses Auffanggerätes muss der Benutzer diese Gebrauchsanweisung und alle zusätzlichen Anweisungen, die während der Schulung gegeben oder mit dem Auffanggerät oder dem Steigschutzsystem ausgehändigt wurden, lesen und verstehen.



Warnung

Jegliche Änderungen oder Ergänzungen an den Auffanggeräten der Söll VC500 Serie ohne schriftliche Genehmigung des Herstellers können die ordnungsgemäße Funktion des Auffanggerätes beeinträchtigen und sind daher verboten.

BEWAHREN SIE DIESES HANDBUCH FÜR DEN ZUKÜNFTIGEN GEBRAUCH AUF – WERFEN SIE ES NICHT WEG!

4 ANSCHLAGEINRICHTUNG PLATFORM SUPPORT

Der Söll Vi-Go Plattform Support ist ein zertifizierter Anschlagpunkt zur Absturzsicherung für:

- **2 Personen** in Übereinstimmung mit EN 795:2012 und CEN/TS 16415:2013
- **1 Person** in Übereinstimmung mit ANSI Z359.18.

Die Öse der Ankerstahlplatte (Abb. 2, Pos. 1) dient als Anschlagpunkt.

So kann der Benutzer beim Übergang von der Vertikalen in die Horizontale vor Stürzen geschützt werden. Stolperstellen im Eingangs- und Arbeitsbereich müssen vermieden werden.



Warnung!

Die Anschlageneinrichtung darf nicht verwendet werden, wenn die Anschlagöse durch einen Sturz belastet wurde. In diesem Fall muss die Anschlageneinrichtung von einer autorisierten Person überprüft und gegebenenfalls ausgetauscht werden.

Der Anschlagpunkt des Söll Vi-Go Plattform Support darf nur in Verbindung mit den folgenden Sicherheitsausrüstungen verwendet werden:

- Persönliche Absturzsicherungssysteme gemäß EN 363 oder ANSI/ASSP Z359.1:2020-00
- Falldämpfer gemäß EN 355 oder ANSI/ASSP Z359.13:2013-00
- Rettungssysteme gemäß EN 1496 oder ANSI/ASSP Z359.4:2013-00, EN 1479, EN 1498 und ANSI/ASSP Z359.4:2013-00

Das System der persönlichen Schutzausrüstung gegen Absturz (nur mit Falldämpfer) oder das Rettungssystem muss so gewählt werden, dass ein Aufprall des Benutzers auf den Boden oder eine Kollision mit anderen Hindernissen vermieden werden kann. Beachten Sie die Gebrauchsanweisung des Herstellers.

Zur Sicherung gegen Absturz muss der Karabinerhaken (Abb. 3, Pos. 2) eines Verbindungsmittels an der Öse der Anschlagstahlplatte (Fig. 3, Pos. 1) eingehängt und verriegelt werden, um ein ungewolltes Aushängen zu verhindern.



Gefahr!

Der Karabinerhaken des Verbindungsmittels darf nicht von der Anschlageneinrichtung getrennt werden, bevor der Benutzer durch eine andere Lösung gegen einen Sturz geschützt ist.

5 VERWENDUNG



Wichtig!

5.1 INSPEKTION VOR DEM AUFSTIEG:

- Überprüfen Sie vor jedem Gebrauch das Seil, die Seilspannung, das Auffanggerät und die Karabinerhaken auf ihre Einsatzfähigkeit.
- Das Auffanggerät darf nicht verwendet werden, wenn Mängel festgestellt wurden oder wenn Zweifel an der ordnungsgemäßen Funktion bestehen. Vor der weiteren Verwendung ist eine Inspektion durch eine autorisierte Person erforderlich und die defekten Teile müssen ausgetauscht werden.
- Vor der Verwendung des Steigschutzsystems muss ein Rettungsplan vorhanden sein.



Warnung

Wenn sich der Auffanggurt während des Auf- oder Abstiegs lockert, bringen Sie ihn in eine sichere Position und stellen Sie ihn korrekt ein.

Bei Arbeiten in oder neben der Aufstiegsroute und bei Tätigkeiten und Handlungen, die nicht zu den üblichen Auf- und Abstiegsbewegungen gehören, muss sich der Benutzer zusätzlich mit einem Verbindungsmittel nach EN 354 oder einem Verbindungsmittel zur Arbeitspositionierung nach EN 358:2018-11 oder ANSI/ASSP Z 359.4:2013-00 sichern. Dies gilt auch für Ruhepositionen, während Sie sich auf der Steigschutzleiter ausruhen. Es dürfen nur geeignete Anschlageneinrichtungen verwendet werden. In all diesen Situationen muss das Verbindungsmittel festgehalten werden, um einen Sturz zu verhindern.



Wichtig!

Die Auffanggeräte der Söll VC500 Serie dürfen nur mit Systemen verwendet werden, die eine Neigung von max. 15° aus der Vertikalen in alle Richtungen aufweisen.



Wichtig!

Das mitlaufende Auffanggerät gemäß EN 353-1+A1:2017-12, CSA Z259.2.5-17, ANSI A14.3-2008, ANSI Z359.16-2016, und NBR 14627 darf nur von Personen verwendet werden, die:

- geschult wurden oder anderweitig autorisiert sind
- direkt von einer geschulten oder autorisierten Person beaufsichtigt werden.

5.2 ANSCHLUSS AN DAS SYSTEM:

- Das Design ermöglicht die Befestigung an einem **8 mm (5/16 Zoll)** oder **10 mm (3/8 Zoll)** feuerverzinktem oder Edelstahlseil, das Teil des Söll Vi-Go Systems ist.
- Das Auffanggerät verfügt über einen Mechanismus, der verhindert, dass das Auffanggerät falsch am Seil befestigt wird.

5.3 VERBINDEN DES AUFFANGGERÄTES MIT GANZKÖRPERGURTEN:

- Ziehen Sie die Rändelhülse des Karabiners nach unten.
- Drehen Sie dann die Rändelbuchse und drücken Sie sie nach innen.
- Befestigen Sie sie direkt am Brustbefestigungspunkt (mit „A“ gekennzeichnet).
- Lösen Sie die Rändelbuchse, sie verriegelt automatisch.



Gefahr!

Ein ungesicherter Karabiner (offene Rändelhülse) ist lebensgefährlich.

Der Bauch- oder Brustgurt des Auffanggurtes muss eng am Körper anliegen (Abb. 4).



Gefahr!

Der Karabiner des Auffanggerätes muss direkt in den vorderen Brustbefestigungspunkt des Auffanggurtes eingeführt werden (Abb. 5, 6, 7).

5.4 EINFÜHREN IN DAS FÜHRUNGSSEIL

VC510

- Halten Sie das Höhensicherungsgerät so, dass der Pfeil auf dem Gehäuse nach oben zeigt.
- Heben Sie den Karabiner mit dem Bremssystemhebel nach oben (Abb. 8a).
- Ziehen Sie den Verschlussknopf vom Auffanggerät weg und schieben Sie ihn dann vom Seil weg (Abb. 8b).
- Setzen Sie das Auffanggerät durch den nun offenen Spalt im Gehäuse des Auffanggerätes so auf das Seil, dass der Pfeil auf dem Gehäuse nach oben zeigt (Abb. 8c).
- Lassen Sie den Bremssystemhebel und den Feststellknopf los.
- Das Auffanggerät Söll VC510 ist nun mit dem Führungsseil verbunden.
- Prüfen Sie, ob das Auffanggerät frei vertikal am Führungsseil gleiten kann.
- Prüfen Sie die Funktion des Sperr- und Fangmechanismus durch Bewegen des Bremssystemhebels.

VC570

- Halten Sie das Höhensicherungsgerät so, dass der Pfeil auf dem Gehäuse nach oben zeigt.
- Heben Sie den Karabiner mit dem Bremssystemhebel nach oben (Abb. 9a).
- Drücken Sie den oberen Knopf nach unten, in den Körper des Auffanggerätes (Abb. 9b, Pos. 1).
- Drücken Sie den Auslöser in das Gehäuse des Auffanggerätes (Abb. 9b, Pos. 2).
- Setzen Sie das Auffanggerät durch den nun geöffneten Spalt im Gehäuse des Auffanggerätes so auf das Seil, dass der Pfeil auf dem Gehäuse nach oben zeigt (Abb. 9c).
- Lassen Sie den Bremssystemhebel, die Taste und den Auslöser los.
- Das Auffanggerät Söll VC570 ist nun mit dem Führungsseil verbunden.
- Prüfen Sie, ob das Auffanggerät frei vertikal am Führungsseil gleiten kann.
- Prüfen Sie die Funktion des Sperr- und Fangmechanismus durch Bewegen des Bremssystemhebels.

5.5 ENTFERNEN DES AUFFANGGERÄTES VOM FÜHRUNGSSEIL



Warnung!

Bevor Sie das Auffanggerät vom senkrechten Seil abnehmen oder sich vom Gurt lösen, müssen die Benutzer gesichert und gegen einen Sturz aus der Höhe geschützt sein!

VC510

- Heben Sie den Karabiner mit dem Bremssystemhebel nach oben an.
- Ziehen Sie den Verriegelungsknopf vom Auffanggerät weg und schieben Sie es dann vom Seil weg.
- Nehmen Sie das Auffanggerät durch den nun geöffneten Spalt im Gehäuse des Auffanggerätes heraus.
- Lassen Sie den Bremssystemhebel und den Feststellknopf los.

VC570

- Heben Sie den Karabiner mit dem Bremssystemhebel nach oben an.
- Drücken Sie den oberen Knopf nach unten, in das Gehäuse des Auffanggerätes.
- Drücken Sie den Auslöser in das Gehäuse des Auffanggerätes.
- Nehmen Sie das Auffanggerät durch den nun geöffneten Spalt im Gehäuse des Auffanggerätes heraus.
- Lassen Sie den Bremssystemhebel, die Taste und den Auslöser los.

6 INSPEKTION

Die Sicherheit der Benutzer hängt von der kontinuierlichen Effizienz und Haltbarkeit der Ausrüstung ab. Je nach örtlicher Gesetzgebung, Nutzungshäufigkeit und Umgebungsbedingungen müssen die Absturzsicherungen gemäß ANSI Z359 / EN 365 regelmäßig, mindestens jedoch alle 12 Monate, von einer sachkundigen Person inspiziert werden. Die regelmäßigen Inspektionen dürfen nur von einer sachkundigen Person und in strikter Übereinstimmung mit den regelmäßigen Inspektionsverfahren des Herstellers durchgeführt werden.

Vor jeder Benutzung und während der regelmäßigen Inspektion muss das Auffanggerät einer Sichtprüfung unterzogen werden, um Folgendes sicherzustellen:

- Der Spalt zwischen dem Verriegelungsmechanismus und dem Gehäuse des Auffanggerätes darf nicht mehr als 5 mm / 0,118 Inches betragen (Abb. 10).
- Der Spalt zwischen den Falldämpferschleifen muss weniger als 2 mm / 0,08 Inches betragen (Abb. 11).
- Es gibt keine Anzeichen von Verschleiß, Beschädigung oder sonstiger Verschlechterung.
- Die Produktetiketten/-markierungen sind lesbar.

Wenn die oben genannten Anforderungen nicht erfüllt sind, muss das Auffanggerät außer Betrieb genommen und ersetzt oder repariert werden. Reparaturen können nur vom Hersteller durchgeführt werden.



Warnung!

Ein Auffanggerät, das den Sturz eines Benutzers aus der Höhe aufgefangen hat, muss aus dem Verkehr gezogen werden.

7 WARTUNG

REINIGUNG

Reinigen Sie es mit Wasser. Verwenden Sie unter keinen Umständen Lösungsmittel oder säure-/alkalihalte Reinigungsmittel. Lassen Sie es an einem gut belüfteten Ort, fern von offenem Feuer oder anderen Wärmequellen, an der Luft trocknen.

LEBENSDAUER

Die richtige Pflege Ihrer PSA trägt zur Langlebigkeit des Produkts und zu Ihrer Sicherheit bei.

Die Lebensdauer des Auffanggerätes hängt von der Einsatzhäufigkeit und den Betriebsbedingungen ab. Bei den jährlichen Inspektionen durch eine autorisierte Person oder Stelle wird das Auffanggerät nur dann zur weiteren Verwendung freigegeben, wenn das Produkt und seine Komponenten in gutem Zustand sind.

TRANSPORT UND AUFBEWAHRUNG

Achten Sie beim Transport und bei der Aufbewahrung darauf, dass Ihre PSA nicht in der Nähe von Wärmequellen, Feuchtigkeit, korrosiver Atmosphäre, ultravioletten Strahlen usw. gelagert wird und vermeiden Sie Stöße und übermäßige Vibrationen.

8 ARTIKELVERWALTUNG

Söll VC510 und Söll VC570 haben eine eindeutige Seriennummer auf der Seite des äußeren Gehäuses (siehe Produktkennzeichnung, Punkt „N“).

RFID

Der **Söll VC570** ist mit einem RFID-Tag („Radio Frequency Identification“) ausgestattet, der eine eindeutige Identifikationsnummer enthält, die zur Nachverfolgung von Gegenständen gemäß ISO 18000-63 verwendet werden kann. Der RFID-Etikett ermöglicht eine schnelle Inspektion vor Ort und enthält Informationen wie Modellnummer, Herstellungsdatum, Inspektions-/Losnummer und erfüllte Normen. Neben der Art des Lesegeräts und des RFID-Tags variiert die optimale RFID-Lesedistanz je nach Lesegerät, Ausrichtung des Tags und Material.

Der RFID-Tag befindet sich unter der Kunststoffabdeckung der Absturzsicherung – siehe Produktkennzeichnung.



SPEZIFIKATION

- Globale Frequenz: 840 ~ 940 MHz
- Speicher EPC 128bits, TID: 96bit
- Datenspeicherung: 20 Jahre

EMPFEHLUNGEN

Scannen Sie Ihren RFID-Tag nach der Reinigung Ihrer PSA, um sicherzustellen, dass er nicht beschädigt ist.

9 UMWELTSCHUTZ



Das WEEE-Symbol kennzeichnet, dass dieses Produkt nicht als Hausmüll behandelt werden darf.

Um die Umwelt zu schützen, stellen Sie sicher, dass das Produkt ordnungsgemäß entsorgt wird. Für nähere Informationen zum Recycling dieses Produkts wenden Sie sich bitte an Ihre Gemeindeverwaltung, Ihren Dienstleister für Haushalts-/Industrieabfallentsorgung oder die Verkaufsstelle des Produkts.

Söll VC500 - Dispositivo anticaídas deslizante Söll Vi-Go/Sistema anticaídas vertical Antec CABMAX

1 INFORMACIÓN GENERAL

REFERENCIAS A NORMAS

Este producto contiene referencias a la siguiente lista de normas y directivas. Es responsabilidad del usuario cumplir con las normas a las pertinentes mencionadas en este manual.

Los grupos de referencia de normas/directivas que figuran a continuación se aplican según el mercado. Es decir, si un producto se está usando en la Unión Europea (UE), el usuario debe cumplir las normas/directivas y todas las otras normas mencionadas en esta guía de usuario no serán relevantes.

En este documento, se hará referencia a la línea de anclaje rígida como «cable» o «cable guía».

NORMAS EUROPEAS

EN 353-1+A1:2017-12 - Equipos de protección personal anticaídas - Dispositivos anticaídas deslizantes sobre línea de anclaje rígido - Parte 1: Dispositivos anticaídas deslizantes que incluyen una línea de anclaje rígido
CNB/P/11.119 - Regulación de EPP (UE) 2016/425

NORMAS Y REGULACIONES AMERICANAS

ANSI-ASC A14.3-2008-Ladders-Fixed-Safety Requirements

ANSI/ASSE Z359.16-2016 - Safety Requirements for Climbing Ladder Fall Arrest Systems OSHA 1910.29 & 1926.502

NORMAS CANADIENSES

CSA Z259.2.5-17 - Fall Arresters and vertical lifelines

NORMAS BRASILEÑAS

NBR 14627 - Equipamento de proteção individual contra queda de altura - Travaquada guiado em linha rígida

2 SISTEMA

Los dispositivos anticaídas de la serie Söll VC500 se pueden usar con un sistema anticaídas vertical Söll Vi-Go/ Antec CABMAX en lo sucesivo, «el sistema anticaídas») y cumplir las normas especificadas en la siguiente tabla:

		Sistema Söll Vi-Go			ANTEC Cabmax
		sin amortiguador superior	con amortiguador superior FPH_30176	con amortiguador superior tipo TRTB/	
Dispositivo anticaídas	Söll VC510	<ul style="list-style-type: none"> • ANSI A14.3-2018 • OSHA 1910.29 & 1926.502 • EN 353-1+A1:2017-12 • UKCA 	<ul style="list-style-type: none"> • ANSI A14.3-2018* • OSHA 1910.29 & 1926.502* 	<ul style="list-style-type: none"> • ANSI A14.3-2018 • OSHA 1910.29 & 1926.502 	<ul style="list-style-type: none"> • EN 353-1+A1:2017-12
	Söll VC570	<ul style="list-style-type: none"> • ANSI Z359.16-2016 • OSHA 1910.29 & 1926.502 • CSA Z259.2.5-17 • EN 353-1+A1:2017-12 • UKCA 	<ul style="list-style-type: none"> • ANSI Z359.16-2016* • OSHA 1910.29 & 1926.502* 	<ul style="list-style-type: none"> • ANSI Z359.16-2016 • OSHA 1910.29 & 1926.502 • CSA Z259.2.5-17 	X

*Solo con cables y componentes de acero inoxidable de 10 mm (3/8 de pulgada).

Todos los dispositivos anticaídas de la serie Söll VC500 se pueden usar con sistemas anticaídas verticales con abrazaderas de paso automáticas o manuales, con cables de 8 mm (5/16") o 10 mm (3/8") Para saber más, consulte la guía de instalación del sistema Söll Vi-Go.

3 PRECAUCIONES DE SEGURIDAD

Cualquier persona que trabaje con el sistema anticaídas debe estar familiarizada con estas instrucciones antes de utilizar el sistema. No se deben superar los límites del equipo anticaídas, y no se debe utilizar para propósitos que no sean el previsto. Un uso que no se ajuste a estas instrucciones constituye un riesgo para la vida humana. Los operarios deben recibir una formación que abarque tanto estas instrucciones como la información para el usuario antes de comenzar a trabajar, y al menos una vez al año. Asegúrese de que la función de seguridad de cualquiera de los componentes no se vea afectada por la función de seguridad de otro y que no interfieran entre sí. Si el producto se vende fuera del país de destino original, el revendedor debe asegurarse de que el producto cumple con la legislación aplicable en ese país y proporcionar instrucciones para el producto en el idioma apropiado.

El operario del sistema anticaídas, así como el usuario de este, deben asegurarse de que este manual siempre esté guardado en un lugar apropiado y disponible para su consulta en todo momento.

Se deben seguir las normativas nacionales sobre prevención de accidentes y la uso de equipo de seguridad para tareas de construcción.

El dispositivo anticaídas deslizante es un componente integral del sistema anticaídas, en cumplimiento con las normas EN 353-1:2014+A1:2017, CSA Z259.2.5-17, ANSI A14.3-2008 y ANSI Z359.16-2016, y está diseñado para su uso como equipo de seguridad personal. Para asegurar que el sistema anticaídas se usa correctamente, el operario debe asegurarse de que el arnés de cuerpo entero y el dispositivo anticaídas se usan de acuerdo con las instrucciones. Después de su uso, el dispositivo anticaídas no se debe dejar conectado al sistema de escalada segura. El dispositivo anticaídas solo puede utilizarse en combinación con el sistema anticaídas original. Los sistemas anticaídas solo pueden usarse con un arnés de cuerpo entero con dispositivo de sujeción corporal. El sistema de escalada de seguridad solo debe utilizarse en combinación con arneses de cuerpo entero que hayan sido comprobados y aprobados de conformidad con las normas EN 361:2002-05, NBR 15836, CSA Z259.2.5-17, o ANSI Z359.16-2016 y estén equipados con un punto de enganche frontal.

Para que el dispositivo anticaídas y el arnés de cuerpo entero se integren correctamente, conecte el mosquetón en el dispositivo anticaídas al anillo de anclaje certificado marcado con una «A» (solo aplicable para cumplir con EN 361:2002-05) en la zona del esternón del arnés de cuerpo entero. No se debe modificar la distancia entre el dispositivo anticaídas y el arnés de cuerpo entero (por ejemplo, añadiendo o quitando un conector).

No se debe modificar la longitud del mosquetón.

Al sistema puede engancharse un **máximo de 4 usuarios** simultáneamente (esto incluye a los usuarios enganchados al punto de anclaje cuando se usa la ampliación de la plataforma). Salvo en caso de operaciones de rescate, solo una persona a la vez puede usar el mismo segmento de cable vertical entre abrazaderas intermedias para guías de cable. Todos los usuarios deben protegerse con un dispositivo anticaídas independiente. El dispositivo anticaídas deslizante solo puede ser usado para **1 persona**. La distancia entre los usuarios no puede ser inferior a los **3 m/10 ft** (Fig. 1). El número real de usuarios depende de la capacidad de carga de la estructura de base.

La carga mínima del usuario, sin contar ropa y equipamiento, es de **50 kg/110 lb**. La carga máxima del usuario incluyendo ropa y equipo, que no se debe sobrepasar, es de **140 kg/310 lb**.

El dispositivo anticaídas antideslizante no debe usarse para el posicionamiento de trabajo. Si se requiere realizar un posicionamiento de trabajo, se utilizará un equipo para esto.

Para garantizar la seguridad, el dispositivo anticaídas no se debe tocar durante el ascenso/descenso.

Los puntos de fijación del cable del sistema anticaídas no deben utilizarse para asegurar las cargas.

Antes y después de usar el sistema anticaídas instalado, se debe inspeccionar visualmente para asegurarse de que funciona correctamente.

Temperatura de funcionamiento **-40 °C a +70°C/ -40 °F a 158 °F**; asegúrese de que el sistema esté libre de grasa, aceite y hielo. El operador debe consultar su estado de salud con un médico y no estar bajo la influencia de alcohol, sustancias psicotrópicas ni medicamentos que puedan afectar el uso seguro del producto.



¡Importante!

Si la altura es igual o inferior a 3 metros/10 pies entre sus pies y el suelo u obstáculos, es posible que el usuario no quede protegido contra impactos. Antes de usar el sistema de escalada de seguridad, asegúrese de que el usuario dispone de suficiente espacio bajo sus pies.



Aviso

Antes de usar este dispositivo anticaídas, el usuario debe leer y comprender este manual de instrucciones, así como todas las otras instrucciones adicionales provistas durante el entrenamiento o adjuntas al dispositivo anticaídas o al sistema anticaídas.



Aviso

Cualquier alteración o adición del dispositivo anticaídas de la serie Söll VR500 sin el permiso previo escrito del fabricante puede interferir con el funcionamiento del dispositivo anticaídas y por lo tanto queda prohibido.

GUARDE ESTE MANUAL PARA SU FUTURO USO - ¡NO LO TIRE!

4 AMPLIACIÓN DE PLATAFORMA DEL DISPOSITIVO DE ANCLAJE

La ampliación de plataforma Söll Vi-Go de Honeywell es un punto de anclaje certificado para la protección anticaídas para:

- **2 personas** de acuerdo con las normas EN 795:2012 y CEN/TS 16415:2013
- **1 persona** de acuerdo con la norma ANSI Z359.18.

El ojal de la placa de acero de anclaje (Fig. 2 pos. 1) sirve como punto de anclaje.

Esto protege al usuario de caídas cuando se pasa de avance vertical a horizontal. Se deben evitar los puntos de tropiezo en la entrada y en el área de trabajo.



¡Cuidado!

Si el ojal de anclaje ha pasado ya por una caída, el dispositivo anticaídas no se puede volver a utilizar. En este caso, el dispositivo de anclaje debe ser examinado por una persona autorizada y, si es necesario, se debe reemplazar.

La ampliación de plataforma del dispositivo de anclaje solo se puede usar en combinación con el siguiente equipo de seguridad:

- sistemas individuales de protección anticaídas conformes a EN 363 o ANSI/ASSP Z359.1:2020-00
- amortiguadores conformes a EN 355 o ANSI/ASSP Z359.13:2013-00
- sistemas de rescate conformes a EN 1496 o ANSI/ASSP Z359.4:2013-00, EN 1479, EN 1498 y ANSI/ASSP Z359.4:2013-00

El sistema anticaídas del equipo de protección individual contra caídas (solo con amortiguador de impactos) o el sistema de rescate se deben elegir según su capacidad de evitar que el usuario colisione contra el suelo o contra otros obstáculos. Siga las instrucciones de uso del fabricante.

Para garantizar la seguridad contra caídas, el mosquetón (Fig. 3, pos. 2) de un dispositivo conectado se debe instalar en el ojal de la placa de acero de anclaje (Fig. 3, pos. 1) y bloquear para evitar que se desconecte de forma imprevista.



¡Peligro!

El gancho del mosquetón de la cuerda no debe soltarse del dispositivo de anclaje antes de implementar otra solución contra una caída.

5 USO



¡Importante!

5.1 INSPECCIÓN ANTES DE ESCALAR:

- Antes del uso, inspeccione la usabilidad del cable, la tensión del cable, el dispositivo anticaídas y los mosquetones.
- Si el sistema anticaídas presenta defectos, o si hay dudas respecto a su funcionamiento, no lo utilice. Antes de volver a usarlo, una persona autorizada debe inspeccionarlo y, si es necesario, se deben reemplazar las piezas defectuosas.
- Se debe preparar un plan de rescate antes de empezar a usar el sistema anticaídas.



Aviso

Si el arnés se suelta durante la subida o el descenso, busque una posición segura y ajústelo correctamente.

Si se trabaja en una ruta de ascenso o cerca de esta, y durante trabajos y acciones que no formen parte de los movimientos habituales de ascenso y descenso, el operario debe protegerse además con una cuerda, conforme con EN 354 o con una cuerda de posicionamiento en el trabajo según la norma EN 3582018:11 o ANSI/ASSP Z 359.4:2013-00. Esto también se aplica a posiciones de descanso en la escalerilla anticaídas. Solo deben utilizarse dispositivos de anclaje apropiados. En todas estas situaciones, la cuerda se debe sujetar firmemente para prevenir una caída.



¡Importante!

La serie de dispositivos anticaídas Söll VC500 solo debe usarse en combinación con sistemas con una inclinación máxima de 15° respecto a la vertical en todas las direcciones.



¡Importante!

Conforme a las disposiciones de EN 353-1+A1:2017-12, CSA Z259.2.5-17, ANSI A14.3-2008, ANSI Z359.16-2016, y NBR 14627, el dispositivo anticaídas solo puede ser utilizado por individuos que:

- hayan pasado por formación o estén de otro modo autorizados;
- estén bajo la supervisión directa de una persona formada o autorizada.

5.2 CONEXIÓN AL SISTEMA:

- El diseño permite la fijación a los cables de acero galvanizado o inoxidable de **8 mm (5/16 in)** o **10 mm (3/8 in)** que forman parte del sistema Söll Vi-Go.
- El dispositivo anticaídas dispone de un mecanismo que ayuda a evitar que se enganche incorrectamente al cable.

5.3 CONEXIÓN DEL DISPOSITIVO ANTICAÍDAS AL ARNÉS DE CUERPO ENTERO

- Tire hacia abajo del casquillo estriado del mosquetón.
- Gire el casquillo estriado y empujelo hacia adentro.
- Engánchelo directamente al punto de enganche del esternón del arnés de cuerpo entero.
- Suelte el casquillo estriado, se bloqueará automáticamente.



¡Peligro!

Un mosquetón no asegurado (casquillo estriado abierto) es peligroso para la vida humana.

La correa abdominal o torácica del arnés de cuerpo entero debe estar bien ajustada al cuerpo (Fig. 4).



¡Peligro!

Se debe insertar el mosquetón del dispositivo anticaídas directamente en el punto de unión del esternón del arnés de cuerpo entero (fig. 5).

5.4 INSERCIÓN DEL CABLE GUÍA

VC510

- Sujete el anticaídas de forma que la flecha de la carcasa apunte hacia arriba.
- Levante el mosquetón con la palanca de freno levantada (Fig. 8a).
- Tire del botón de bloqueo alejándolo del sistema anticaídas y deslicelo para que se aleje del cable (Fig. 8b).
- A través del hueco ahora abierto en la carcasa del dispositivo anticaídas, coloque este último en el cable de manera que la flecha de la carcasa apunte hacia arriba (Fig. 8c).
- Suelte la palanca de freno y el botón de bloqueo.
- Con esto, el Söll VC510 queda conectado al cable guía.
- Verifique que el dispositivo anticaídas puede deslizarse libremente en vertical sobre el cable guía.
- Compruebe el funcionamiento del mecanismo de bloqueo y de sujeción moviendo la palanca de freno.

VC570

- Sujete el anticaídas de forma que la flecha de la carcasa apunte hacia arriba.
- Levante el mosquetón con la palanca de freno levantada (Fig. 9a).
- Presione el botón superior hacia el cuerpo del dispositivo anticaídas (Fig. 9b, pos. 1).
- Presione el gatillo hacia el cuerpo del dispositivo anticaídas (Fig. 9b, pos. 2).
- A través del hueco ahora abierto en la carcasa del dispositivo anticaídas, coloque este último en el cable de manera que la flecha de la carcasa apunte hacia arriba (Fig. 9c).
- Suelte la palanca de freno, el botón y el gatillo.
- Con esto, el Söll VC570 queda conectado al cable guía.
- Verifique que el dispositivo anticaídas puede deslizarse libremente en vertical sobre el cable guía.
- Compruebe el funcionamiento del mecanismo de bloqueo y de sujeción moviendo la palanca de freno.

5.5 RETIRAR EL DISPOSITIVO ANTICAÍDAS DEL CABLE DE GUÍA



¡Cuidado!

Antes de quitar el dispositivo anticaídas del cable vertical o de soltarlo del arnés, los usuarios deben estar seguros y protegidos contra la caída a cualquier altura.

VC510

- Levante el mosquetón con la palanca de freno levantada.
- Tire del botón de bloqueo alejándolo del sistema anticaídas y deslicelo para que se aleje del cable.
- Retire el dispositivo anticaídas a través del hueco ahora abierto en su carcasa.
- Suelte la palanca de freno y el botón de bloqueo.

VC570

- Levante el mosquetón con la palanca de freno levantada.
- Presione el botón superior hacia el cuerpo del dispositivo anticaídas.
- Presione el gatillo hacia el cuerpo del dispositivo anticaídas.
- Retire el dispositivo anticaídas a través del hueco ahora abierto en su carcasa.
- Suelte la palanca de freno, el botón y el gatillo.

6 INSPECCIÓN

La seguridad de los usuarios depende de la eficacia y durabilidad fiables del equipo. Una persona competente debe inspeccionar los dispositivos anticaídas al menos cada 12 meses, dependiendo de la legislación local, frecuencia de uso y condiciones ambientales, conforme a ANSI Z359/EN 365. Una persona que tenga las competencias para esto debe llevar a cabo las revisiones periódicas, y debe siempre hacerlo de acuerdo con los procedimientos de revisión periódica indicados por el fabricante;

Antes de cada uso y durante cada inspección periódica, se debe inspeccionar visualmente el sistema anticaídas para asegurar lo siguiente:

- El espacio entre el dispositivo de bloqueo y la carcasa del dispositivo anticaídas no debe exceder los 5 mm/0,118 in (Fig. 10)
- El espacio entre los lazos del amortiguador debe ser inferior a 2 mm/0,08 in (Fig. 11).
- No hay signos de desgaste, daño ni deterioro.
- Las etiquetas/marcados del producto son legibles.

Si no se cumplen los requisitos mencionados, el dispositivo anticaídas se debe retirar del servicio y se debe reemplazar o reparar. Solo el fabricante está autorizado a llevar a cabo reparaciones.



¡Cuidado!

Un dispositivo anticaídas que haya parado la caída desde altura de un usuario se debe retirar del servicio.

7 MANTENIMIENTO

LIMPIEZA

Limpie con agua. No use ningún disolvente o agente limpiador que contenga sustancias ácidas/alcalinas bajo ninguna circunstancia. Deje que se seque de forma natural en un área bien ventilada, lejos de cualquier fuego abierto u otras fuentes de calor.

VIDA ÚTIL

Un cuidado correcto del EPI prolongará la vida del producto y su seguridad.

La vida útil del dispositivo anticaídas depende de la frecuencia de uso y de las condiciones de funcionamiento. Durante la inspección anual realizada por una persona u organismo autorizados, el dispositivo anticaídas solo puede ser aprobado para su uso si el producto y sus componentes están en buenas condiciones.

TRANSPORTE Y ALMACENAMIENTO

Durante el transporte y almacenamiento, asegúrese de que su EPI esté alejado de fuentes de calor, humedad, atmósfera corrosiva, rayos ultravioleta, etc. y evite cualquier impacto o vibración excesiva.

8 GESTIÓN DEL ARTÍCULO

VC510 & VC570 tienen números de serie únicos en el lateral de la carcasa (ver Marcado del producto, apartado «N»).

RFID

VC570 incorpora una etiqueta RFID (identificación de radiofrecuencia) que contiene un número de identificación único que se puede usar para el seguimiento del artículo según ISO 18000-63. La etiqueta RFID permite realizar inspecciones rápidas de campo e indica información, como por ejemplo el número de modelo, la fecha de fabricación, el número de inspección/ lote y las normas que cumple el producto. Además del tipo de lector y de la etiqueta RFID, la distancia óptima de lectura de la RFID varía según del lector, la orientación de la etiqueta y el material.

La etiqueta RFID se coloca en la cubierta de plástico del dispositivo anticaídas (véase Marcado de productos).



ESPECIFICACIÓN

- Frecuencia global: 840 ~ 940 MHz
- EPC de memoria 128bits TID: 96bit
- Retención de datos: 20 años

RECOMENDACIONES

Después de limpiar su EPP, escanee su etiqueta RFID para verificar que no presenta daños.

9 PROTECCIÓN MEDIOAMBIENTAL



El símbolo RAEE indica que este producto no puede ser tratado como residuo doméstico.

Para proteger el medioambiente, asegúrese de eliminar el producto correctamente. Para saber más sobre reciclaje este producto, póngase en contacto con su autoridad local, su proveedor de servicios de eliminación de residuos domésticos/industriales o con el punto de venta del producto.

Söll VC500 - Liikkuva liukutarrain pystysuoraan Söll Vi-Go - / Antec CABMAX -putoamissuojainjärjestelmään

1 YLEISTÄ

OHJEELLISET VIITTEET

Tähän tuotteeseen sovelletaan alla listattuja standardeja ja direktiivejä. Käyttäjän vastuulla on noudattaa tässä oppaassa mainittuja standardeja.

Alla olevat standardit/direktiivit ovat sovellettavissa markkinoiden mukaan. Jos tuotetta käytetään esimerkiksi Euroopan unionin (EU) alueella, käyttäjän on noudatettava EU:n standardeja/direktiivejä, eivätkä muut käyttöoppaassa mainitut standardit ole olennaisia.

Tässä asiakirjassa jätetään johdetaan kutsutaan myös "vaijeriksi" tai "ohjausvaijeriksi".

EUROOPAN STANDARDIT

EN 353-1+A1: 2017-12 - Putoamissuojaimet - Johteessa liikkuvat liukutarraimet. Osa 1: Kiinteässä johteessa liikkuvat liukutarraimet

CNB/P/11.119 - PPE-asetus (EU) 2016/425

AMERIKAN STANDARDIT JA SÄÄDÖKSET

ANSI-ASC A14. 3-2008 - Tikkaat - Kiinteät - Turvavaatimukset

ANSI/ASSE Z359.16-2016 - Turvallisuusvaatimukset kipeilytikkaiden putoamissuojainjärjestelmille

OSHA 1910.29 & 1926.502

KANADAN STANDARDIT

CSA Z259. 2.5-17 - Liukutarraimet ja pystysuorat pelastusköydet

BRASILIAN STANDARDIT

NBR 14627 - Equipamento de proteção individual contra queda de altura - Travaquedra guiado em linha rígida

2 JÄRJESTELMÄ

Söll VC500 -sarjan liukutarraimia voidaan käyttää pystysuoran Söll Vi-Go / Antec CABMAX -putoamissuojainjärjestelmän (jäljempänä "putoamissuojainjärjestelmä") kanssa ja ne täyttävät seuraavassa taulukossa esitetyn standardin vaatimukset:

		Söll Vi-Go järjestelmä			ANTEC Cabmax
		ilman nykäysvaimenninta	yläiskunvaimentimella FPH_30176	yläiskunvaimentimella TRTB/	
Liukutarrain	Söll VC510	<ul style="list-style-type: none"> • ANSI A14.3-2018 • OSHA 1910.29 & 1926.502 • EN 353-1+A1:2017-12 • UKCA 	<ul style="list-style-type: none"> • ANSI A14.3-2018* • OSHA 1910.29 & 1926.502* 	<ul style="list-style-type: none"> • ANSI A14.3-2018 • OSHA 1910.29 & 1926.502 	• EN 353-1+A1:2017-12
	Söll VC570	<ul style="list-style-type: none"> • ANSI Z359.16-2016 • OSHA 1910.29 & 1926.502 • CSA Z259.2.5-17 • EN 353-1+A1:2017-12 • UKCA 	<ul style="list-style-type: none"> • ANSI Z359.16-2016* • OSHA 1910.29 & 1926.502* 	<ul style="list-style-type: none"> • ANSI Z359.16-2016 • OSHA 1910.29 & 1926.502 • CSA Z259.2.5-17 	X

*Vain 10 mm:n (3/8 tuuman) ruostumattomasta teräksestä valmistettujen kaapelien ja komponenttien kanssa.

Kaikkia Söll VC500 -sarjan liukutarraimia voidaan käyttää pystysuorissa putoamissuojainjärjestelmissä, joissa on automaattiset tai manuaaliset läpivientikiinnikkeet 8 mm:n (5/16") tai 10 mm:n (3/8") vaijerilla. Lisätietoja on saatavilla Söll Vi-Go -järjestelmän asennusoppaassa.

3 VAROTOIMENPITEET

Putoamissuojainjärjestelmän kanssa tai sillä työskentelevien on perehdyttävä näihin ohjeisiin ennen järjestelmän käyttöä. Liukutarraintalaitteiden käyttö ei saa ylittää sen rajoituksia eikä sitä saa käyttää mihinkään muuhun tarkoitukseen kuin siihen, johon ne on tarkoitettu. Käyttö, joka ei ole näiden ohjeiden mukaista, aiheuttaa vaaran ihmishengelle. Työntekijät tulee kouluttaa näihin ohjeisiin ja käyttäjätietoihin ennen työn aloittamista ja toistettava koulutus vähintään kerran vuodessa. Varmista, että toisen osan turvallisuus toiminto ei vaikuta minkään osan turvatoimintoihin ja että ne eivät häiritse toisiaan. Jos tuote myydään ensimmäisen kohdeaman ulkopuolella, jälleenmyyjän on varmistettava, että tuote on kyseisen maan lakien mukainen ja annettava tuotteelle ohjeet asianmukaisella kielellä.

Putoamissuojainjärjestelmän ja liukutarraimen käyttäjän on varmistettava, että tämä opas on aina asianmukaisesti säilytetty ja saatavilla.

Kansallisia säännöksiä onnettomuuksien ennaltaehkäisemisestä ja turvavarusteiden käytöstä rakennustyössä on noudatettava.

Liikkuva liukutarraim on olennainen osa putoamissuojainjärjestelmää standardien EN 353-1:2014+A1:2017, CSA Z259.2.5-17, ANSI A14.3-2008 ja ANSI Z359.16-2016 mukaisesti, ja se on suunniteltu käytettäväksi henkilökohtaisina turvavarusteina. Putoamissuojainjärjestelmän asianmukaisen käytön varmistamiseksi käyttäjän on varmistettava, että kokovartalovaljaita ja liukutarrainta käytetään näiden ohjeiden mukaisesti. Käytön jälkeen liukutarrainta ei saa jättää kytketyksi turvalliseen kiipeilyjärjestelmään. Liukutarrainta saa käyttää vain alkuperäisessä putoamissuojainjärjestelmässä. Kokovartalovaljaat ovat ainoa hyväksyttävä vartalon pitolaite, jota putoamissuojainjärjestelmässä saa käyttää. Turvallista kiipeilyjärjestelmää saa käyttää vain sellaisten kokovartalovaljaiden kanssa, jotka on tarkastettu ja hyväksytty standardien EN 361:2002-05, NBR 15836, CSA Z259.2.5-17 tai ANSI Z359.16-2016 mukaisesti ja jotka on varustettu etukiinnityspisteellä.

Jotta liukutarraimen ja kokovartalovaljaiden välinen yhteys saavutetaan, liukutarraimen karbiinihaka kytketään A-kirjaimella merkittyyn sertifioituun kiinnityspisterenkaaseen (sovelletaan vain standardin EN 361:2002-05 mukaisesti) kokovartalovaljaiden rintaosaan. Liukutarraimen ja kokovartalovaljaiden välistä etäisyyttä ei saa pienentää tai suurentaa (esimerkiksi lisäämällä tai poistamalla liittimiä).

Karbiinihaan pituutta ei saa pidentää eikä lyhentää.

Järjestelmään voidaan tehdä **enintään 4 käyttäjää samanaikaisesti** (mukaan lukien kiinnityspisteeseen kiinnitetty käyttäjät, kun alustan laajennus on käytössä). Pelastustoimia lukuun ottamatta vain yhden henkilön tulee käyttää kerrallaan samaa pystyväijerin segmenttiä vaijeriohjainten väläkannakkeiden välissä. Jokainen käyttäjä on kiinnitettävä erilliseen liukutarraimeen. Liikkuva liukutarraim on tarkoitettu **vain 1 henkilön** käytettäväksi. Käyttäjien välinen etäisyys **on oltava vähintään 3 m / 10 ft** (kuva 1). Todellinen käyttäjämäärä riippuu pohjarakenteen kantavuudesta.

Käyttäjän vähimmäiskuorma vaatteita ja varusteita lukuun ottamatta on **50 kg / 110 lb**. Käyttäjän enimmäiskuorma vaatteita ja varusteita lukuun ottamatta on **140 kg / 310 lb** ja sitä ei saa ylittää. Liikkuvaa liukutarrainta ei saa käyttää työskentelyyn. Jos kahdella kädellä työskentelyä vaaditaan, on käytettävä siihen vaadittavaa laitteistoa.

Liukutarraimeen ei saa koskea nousu/lasku aikana turvallisuuden varmistamiseksi.

Putoamissuojainjärjestelmän vaijerin kiinnityspisteitä ei saa käyttää kuormien kiinnittämiseen.

Ennen asennetun putoamissuojainjärjestelmän käyttöä ja käytön aikana järjestelmä on tarkastettava silmämääräisesti sen varmistamiseksi, että se toimii asianmukaisesti.

Käyttölämpötila on **-40...+70 °C / -40...158 °F**; varmista, että järjestelmässä ei ole rasvaa, öljyä eikä jäätä. Käyttäjän on neuvoteltava lääkärisä kanssa terveydestään, eikä hän saa olla alkoholin, huumeiden tai lääkkeiden vaikutuksen alaisena, sillä ne voivat vaikuttaa tuotteen turvalliseen käyttöön.



Tärkeää!

Käyttäjä ei ehkä ole riittävästi suojattu osumiselta maahan tai esteisiin, jos hän on alle 3 metrin / 10 jalan korkeudella. Varmista ennen turvallisen kiipeilyjärjestelmän käyttöä, että käyttäjän jalkojen alla on tarvittavasti vapaa tila.



Varoitus

Ennen tämän liukutarraimen käyttöä, käyttäjän on luettava ja ymmärrettävä tämä käyttöohje ja kaikki koulutuksen aikana annetut ohjeet sekä liukutarraimen tai putoamissuojainjärjestelmän mukana tulleet ohjeet.



Varoitus

Söll VC500 -sarjan liukutarraimeen tehtävät muutokset tai lisäykset ilman valmistajan kirjallista hyväksyntää voivat estää liukutarraimen moitteettoman toiminnan, minkä vuoksi muutokset ovat kiellettyjä.

SÄILYTÄ TÄMÄ OPAS TULEVAAN KÄYTTÖÄ VARTEN - ÄLÄ HEITÄ SITÄ POISI!

4 KIINNITYSLAITTEEN ALUSTAN LAAJENNUS

Honeywell Söll Vi-Go -alustan laajennus on sertifioitu kiinnityspiste putoamissuojaukseen:

- **2 henkilöä** standardin EN 795:2012 ja CEN/TS 16415:2013 mukaisesti
- **1 henkilö** standardin ANSI Z359.18 mukaisesti.

Kiinnitysteräslävyn silmukka (kuva 2, kohta 1) toimii kiinnityspisteinä.

Siksi käyttäjä voidaan suojata putoamiselta hänen siirtyessään pystysuorasta vaakasuoraan kulkuun. Sisäänkäynnin ja työskentelyalueen kompastumiskohtia on vältettävä.



Varoitus!

Kiinnityslaitetta ei saa käyttää, jos putoaminen on vaurioittanut kiinnityssilmukkaa. Tällöin valtuutetun henkilön on tarkistettava kiinnityslaitte ja tarvittaessa vaihtaa se.

Kiinnityslaitteen alustalaajennusta voidaan käyttää ainoastaan yhdessä seuraavien turvalaitteiden kanssa:

- standardin EN 363 tai ANSI/ASSP Z359.1:2020-00 mukaiset putoamissuojainjärjestelmät
- standardin EN 355 tai ANSI/ASSP Z359.13:2013-00 mukaiset nykäysvaimentimet
- standardien EN 1496 or ANSI/ASSP Z359.4:2013-00, EN 1479, EN 1498 ja ANSI/ASSP Z359.4:2013-00 mukaiset pelastusjärjestelmät

Putoamiselta suojaavien henkilönsuojainten järjestelmä (vain energianvaimentimella) tai pelastusjärjestelmä on valittava siten, että käyttäjän törmäys maahan tai törmäys muihin esteisiin voidaan välttää. Noudata valmistajan ohjeita.

Putoamisen estämiseksi kytkentälaitteen karbiinihaka (kuva 3, kohta 2) on asennettava kiinnitysteräslävyn silmukkaan (kuva 3, kohta 1) ja lukittava tahattoman irtoamisen estämiseksi.



Vaara!

Kytkeäntälaitteen karbiinihaka ei saa irrottaa kiinnityslaitteesta ennen kuin käyttäjä on suojattu toisella ratkaisulla putoamisen estämiseksi.

5 KÄYTTÖ



Tärkeää!

5.1 TARKASTUS ENNEN KIIPEÄMISTÄ:

- Tarkista ennen jokaista käyttökertaa vaijeri, vaijerin jännitys, liukutarrain ja karbiinihaat käytettävyyden varmistamiseksi.
- Putoamissuojainjärjestelmää ei saa käyttää, jos siinä on havaittu vikoja tai jos sen toimivuudesta on epäilyksiä. Ennen valtuutetun henkilön on tarkastettava se ja vialliset osat on vaihdettava.
- Pelastussuunnitelman on oltava käytössä ennen putoamissuojainjärjestelmän käyttöä.



Varoitus

Jos valjaat irtoavat nousun tai laskun aikana, asetu turvalliseen asentoon ja säädä se oikein.

Kun kiipeävä henkilö työskentelee nousureitillä tai sen vieressä sekä sellaisten töiden ja toimien aikana, jotka eivät kuulu tavanomaisiin nousu- ja laskuliikkeisiin, hänen on lisäksi käytettävä standardin EN 354 mukaista varmistusvyötä tai standardin EN 358:2018-11 tai ANSI/ASSP Z 359.4:2013-00 mukaista pylväsvyötä. Tämä pätee myös lepoasentoihin putoamissuojaintikilla. Ainoastaan sopivia kiinnityslaitteita saa käyttää. Kaikissa näissä tilanteissa varmistusvyötä on pidettävä tiukasti kiinni putoamisen estämiseksi.



Tärkeää!

Söll VC500 -sarjan liukutarraimia saa käyttää vain järjestelmissä, joiden kaltevuus on enintään 15° pystysuorasta kaikkiin suuntiin.



Tärkeää!

Standardien EN 353-1+A1:2017-12, CSA Z259.2.5-17, ANSI A14.3-2008, ANSI Z359.16-2016 ja NBR 14627 mukaista liukutarrainta saavat käyttää vain henkilöt, jotka:

- on koulutettu tai muuten valtuutettu
- ovat suoraan koulutetun tai valtuutetun henkilön valvonnassa.

5.2 KYTKENTÄ JÄRJESTELMÄÄN:

- Rakenne mahdollistaa kiinnittämisen **8 mm:n (5/16 in)** tai **10 mm:n (3/8 in)** sinkkityihin tai ruostumattomasta teräksestä valmistettuihin kaapeleihin, jotka ovat osa Söll Vi-Go -järjestelmää.
- Liukutarraimessa on mekanismi, joka auttaa estämään liukutarraimen virheellisen vaijeriin kiinnityksen.

5.3 LIUKUTARRAIMEN KYTKEMINEN KOKOVARTALOVALJAIISIIN:

- Vedä karbiinihaan pyälletty holkki alas.
- Käännä sitten pyällettyä holkkia ja paina sitä sisäänpäin.
- Kiinnitä se suoraan kokovartalovaljaiden rintakiinnitykseen.
- Vapauta pyälletty holkki ja se lukittuu automaattisesti.



Vaara!

Turvaamaton karbiinihaka (avoin karbiinihaka) aiheuttaa vaaran ihmishengelle.

Kokovartalovaljaiden vatsa -tai rintahihnan on sovittava vartaloon tiukasti (kuva 4).



Vaara!

Liukutarraimen karbiinihaka on asetettava suoraan kokovartalovaljaiden rintakiinnityspisteeseen (kuvat 5, 6, 7).

5.4 LIITTÄMINEN OHJAUSVAIJERIIN

VC510

- Pidä putoamissuojainta niin, että kotelossa oleva nuoli osoittaa ylöspäin.
- Nosta karbiinihaka jarruvivulla ylös (kuva 8a).
- Vedä lukkonuppia pois liukutarraimesta ja liu'uta se sitten pois vaijerista (kuva 8b).
- Aseta liukutarraimen kotelossa olevan nyt avoimen aukon läpi liukutarrain vaijeriin niin, että kotelon nuoli osoittaa ylöspäin (kuva 8c).
- Vapauta jarruvipu ja lukkonuppi.
- Söll VC510 on nyt kytketty ohjausvaijeriin.
- Tarkista, voiko liukutarrain liukua vapaasti pystysuunnassa ohjausvaijerissa.
- Tarkista lukitus- ja kiinnitystoiminnon toiminta liikuttamalla jarruvipua.

VC570

- Pidä putoamissuojainta niin, että kotelossa oleva nuoli osoittaa ylöspäin.
- Nosta karbiinihaka jarruvivulla ylös (kuva 9a).
- Paina yläpainiketta alas, liukutarraimen runkoon (kuva 9b, kohta 1).
- Paina liipaisinta liukutarraimen runkoon (kuva 9b, kohta 2).
- Aseta liukutarraimen kotelossa olevan nyt avoimen aukon läpi liukutarrain vaijeriin niin, että kotelon nuoli osoittaa ylöspäin (kuva 9c).
- Vapauta jarruvipu, painike ja liipaisin.
- Söll VC570 on nyt kytketty ohjausvaijeriin.
- Tarkista, voiko liukutarrain liukua vapaasti pystysuunnassa ohjausvaijerissa.
- Tarkista lukitus- ja kiinnitystoiminnon toiminta liikuttamalla jarruvipua.

5.5 LIUKUTARRAIMEN IRROTTAMINEN OHJAUSVAIJERISTA



Varoitus!

Ennen liukutarraimen irrottamista pystyvaijerista tai valjaista käyttäjät on kiinnitettävä ja suojattava putoamiselta korkeudesta toisella tavalla!

VC510

- Nosta karbiinihaka jarruvivulla ylös.
- Vedä lukkonuppia pois liukutarraimesta ja liu'uta se sitten pois vaijerista.
- Poista liukutarrain liukutarraimen kotelossa olevan nyt avoimen aukon kautta.
- Vapauta jarruvipu ja lukkonuppi.

VC570

- Nosta karbiinihaka jarruvivulla ylös.
- Paina yläpainiketta alas liukutarraimen runkoon.
- Paina liipaisinta liukutarraimen runkoon.
- Poista liukutarrain liukutarraimen kotelossa olevan nyt avoimen aukon kautta.
- Vapauta jarruvipu, painike ja liipaisin.

6 TARKASTUS

Käyttäjien turvallisuus riippuu laitteiden jatkuvasta tehokkuudesta ja kestävyydestä. Paikallisen lainsäädännön, käyttöiheyden ja ympäristöolosuhteiden mukaan pätevän henkilön on tarkastettava liukutarraimet säännöllisesti ja vähintään 12 kuukauden välein standardin ANSI Z359/EN 365 mukaisesti. Määräaikaistarkastuksia saa tehdä vain pätevä henkilö ja ne on tehtävä valmistajan määräaikaistarkastusmenettelyjen mukaisesti.

Ennen jokaista käyttöä ja määräaikaistarkastuksen aikana liukutarrain on tarkastettava silmämääräisesti sen varmistamiseksi, että:

- Lukitusmekanismin ja lukutarraimen kotelon välinen väli ei saa olla suurempi kuin 5 mm / 0,118 in (kuva 10).
- Vaimennusilmukoiden välisen raon on oltava alle 2 mm / 0,08 in (kuva 11).
- Kulumisesta, vaurioista tai muusta heikkenemisestä ei ole merkkejä.
- Tuotteen tarrat/merkinnät ovat luettavissa.

Jos edellä mainitut vaatimukset eivät täyty, liukutarrain on poistettava käytöstä ja vaihdettava tai korjattava. Korjaukset voi suorittaa vain valmistaja.



Varoitus!

Liukutarrain, joka on estänyt käyttäjän putoamisen korkealta, on poistettava käytöstä.

7 HUOLTO

PUHDISTUS

Puhdista vedellä. Älä käytä liuottimia tai happoja/emäksiä sisältäviä puhdistusaineita missään olosuhteissa. Anna kuivua luonnollisesti hyvin ilmastoidussa tilassa, joka on kaukana avotulesta tai muista lämmönlähteistä.

KÄYTTÖIKÄ

Henkilönsuojainten asianmukainen ylläpito auttaa varmistamaan tuotteen pitkän käyttöajan ja turvallisuuden.

Liukutarraimen käyttöikä riippuu käyttökertojen määrästä ja käyttöolosuhteista. Vuosittaisen valtuutetun henkilön tai laitoksen suorittaman tarkastuksen yhteydessä liukutarrain luovutetaan jatkokäyttöön vain, mikäli se ja sen osat ovat hyvässä kunnossa.

KULJETUS JA VARASTOINTI

Varmista kuljetuksen ja varastoinnin aikana, että henkilönsuojaimet ovat kaukana lämmönlähteistä, kosteudesta, syövyttävästä ympäristöstä, ultraviolettisäteilystä jne., ja vältä iskuja tai liiallista tärinää.

8 TUOTTEIDEN HALLINNOINTI

VC510 & VC570 ovat merkitty yksilöllisillä sarjanumeroilla ulkopinnan puolella (ks. tuotteen merkintä, kohta "N").

RFID

VC570 sisältää RFID-tunnisteen (Radio Frequency Identification), joka sisältää yksilöllisen tunnistenumeron, jota voidaan käyttää tuotteen seurantaan standardin ISO 18000-63 mukaisesti. RFID mahdollistaa nopeat kenttä tarkastukset ja määrittää tiedot, kuten mallin numeron, valmistuspäivämäärän, tarkastuksen/eränumeron ja täytetyt standardit. Lukijatyyppi ja RFID-tunnisteen lisäksi optimaalinen RFID-luketaisyys vaihtelee lukijan, tunnisteen suunnan ja materiaalin mukaan. RFID-tunniste asetetaan liukutarraimen muovisen kannen alle - ks. tuotteen merkintä.



TEKNISET TIEDOT

- Yleinen taajuus: 840 ~ 940 MHz
- Muisti EPC 128 bittiä, TID: 96 bittiä
- Tietojen säilyttäminen: 20 vuotta

SUOSITUKSET

Kun olet puhdistanut henkilönsuojaimen, skannaa RFID-tunniste varmistaaksesi, ettei se ole vahingoittunut.

9 YMPÄRISTÖNSUOJELU



Sähkö- ja elektroniikkalaiteromun (WEEE) symboli osoittaa, että tätä tuotetta ei saa käsitellä kotitalousjätteinä.

Ympäristön suojelemiseksi varmista, että tuote hävitetään oikein. Tarkempia tietoja tuotteen kierrätyksestä saat paikallisviranomaiselta, kotitalous- tai teollisuusjätehuolto palvelun tarjoajalta tai myymälästä, josta ostit tuotteen.

Söll VC500 - Antichute mobile pour système vertical Söll Vi-Go/Antec CABMAX

1 INFORMATIONS GÉNÉRALES

RÉFÉRENCES NORMATIVES

Ce produit répond à la liste des normes et directives ci-dessous. Il est de la responsabilité de l'utilisateur de se conformer aux normes pertinentes mentionnées dans ce manuel.

Les groupes de référence des normes/directives ci-dessous sont applicables selon le marché, par ex., si le produit est utilisé dans l'Union européenne (UE), l'utilisateur doit être conforme aux normes/directives de l'UE et toutes les autres normes mentionnées dans le guide de l'utilisateur ne sont pas pertinentes.

Dans ce document, un support d'assurage rigide est également appelé « câble » ou « câble guide ».

NORMES EUROPÉENNES

EN 353-1+A1:2017-12 - Équipement individuel de protection contre les chutes - Antichutes mobiles incluant un support d'assurage - Partie 1 : Antichutes mobiles incluant un support d'assurage rigide
 CNB/P/11.119 - Règlement EPI (UE) 2016/425

NORMES ET RÈGLEMENTS AMÉRICAINS

ANSI-ASC A14.3-2008 - Exigences de sécurité pour les échelles fixes
 ANSI/ASSE Z359.16-2016 - Exigences de sécurité pour les systèmes antichute des échelles d'escalade OSHA 1910.29 et 1926.502

NORMES CANADIENNES

CSA Z259.2.5-17 - Antichutes et lignes de vie verticales

NORMES BRÉSILIENNES

NBR 14627 - Equipamento de proteção individual contra queda de altura - Travaquada guiado em linha rígida

2 SYSTÈME

Les antichutes de la série Söll VC500 peuvent être utilisés avec un système antichute vertical Söll Vi-Go/Antec CABMAX (ci-après appelé « le système d'arrêt de chute ») et répondent aux normes indiquées dans le tableau suivant :

		Söll Vi-Go Système			ANTEC Cabmax
		sans amortisseur supérieur	avec amortisseur supérieur FPH_30176	avec amortisseur supérieur type TRTB/	
Antichute	Söll VC510	<ul style="list-style-type: none"> • ANSI A14.3-2018 & OSHA 1910.29 & 1926.502 • EN 353-1+A1:2017-12 • UKCA 	<ul style="list-style-type: none"> • ANSI A14.3-2018* • OSHA 1910.29 & 1926.502* 	<ul style="list-style-type: none"> • ANSI A14.3-2018 & OSHA 1910.29 & 1926.502 	<ul style="list-style-type: none"> • EN 353-1+A1:2017-12
	Söll VC570	<ul style="list-style-type: none"> • ANSI Z359.16-2016 & OSHA 1910.29 & 1926.502 • CSA Z259.2.5-17 • EN 353-1+A1:2017-12 • UKCA 	<ul style="list-style-type: none"> • ANSI Z359.16-2016* • OSHA 1910.29 & 1926.502* 	<ul style="list-style-type: none"> • ANSI Z359.16-2016 & OSHA 1910.29 & 1926.502 • CSA Z259.2.5-17 	X

*Uniquement avec des câbles et des composants en acier inoxydable de 10 mm (3/8 pouces).

Tous les antichutes de la série Söll VC500 peuvent être utilisés avec des systèmes verticaux ayant des passants intermédiaires automatiques ou manuels, avec des câbles de 8 mm (5/16") ou 10 mm (3/8"). Pour plus d'informations, consultez le guide d'installation du système Söll Vi-Go.

3 PRÉCAUTIONS DE SÉCURITÉ

Toute personne travaillant avec ou sur le système antichute doit se familiariser avec ces instructions avant d'utiliser le système. L'équipement antichute ne doit pas être utilisé en dehors de ses limites ou à des fins autres que celles pour lesquelles il est conçu. Une utilisation non conforme à ces instructions met en danger la vie de la personne. Les opérateurs doivent recevoir une formation portant sur ces instructions avant de commencer à travailler, et ce au moins une fois par an. Assurez-vous que la fonction de sécurité d'un des composants n'est pas affectée par la fonction de sécurité d'un autre et qu'ils n'interfèrent pas les uns avec les autres. Si le produit est vendu en dehors du premier pays de destination, le revendeur doit s'assurer qu'il soit conforme aux lois applicables dans ce pays et fournir des instructions pour le produit dans la langue appropriée.

L'utilisateur de l'antichute doit s'assurer que ce manuel est toujours correctement conservé et disponible pour consultation à tout moment.

Les réglementations nationales sur la prévention des accidents et l'utilisation d'équipements de sécurité pour les travaux de construction doivent être respectées.

L'antichute mobile fait partie intégrante du système antichute répondant aux normes EN 353-1:2014+A1:2017, CSA Z259.2.5-17, ANSI A14.3-2008 et ANSI Z359.16-2016, et est conçu pour être utilisé comme équipement de protection individuelle. Pour garantir une bonne utilisation du système antichute, l'opérateur doit s'assurer que le harnais complet et l'antichute sont utilisés conformément à ces instructions. Après utilisation, le dispositif antichute ne doit pas rester connecté au système de protection antichute. L'antichute doit être utilisé uniquement avec le système antichute d'origine. Le harnais complet est le seul dispositif de maintien du corps acceptable pouvant être utilisé dans un système antichute. Le système antichute doit être utilisé uniquement avec des harnais complets qui ont été vérifiés et approuvés conformément aux normes EN 361:2002-05, NBR 15836, CSA Z259.2.5-17 ou ANSI Z359.16-2016 et sont équipés d'un point d'attache sternal.

Pour assurer la liaison entre l'antichute et le harnais, connectez le mousqueton de l'antichute à l'anneau d'ancrage certifié et marqué d'un « A » (uniquement applicable si conforme à la norme EN 361:2002-05) au point sternal du harnais. La distance entre l'antichute et le harnais complet ne doit être ni réduite ou agrandie (par exemple en ajoutant ou en retirant un connecteur).

La longueur du mousqueton ne doit pas être allongée ou raccourcie.

Un **maximum de 4 utilisateurs** peuvent être attachés au système en même temps (y compris les utilisateurs attachés au point d'ancrage, lorsque l'extension de la plate-forme est utilisée). Sauf en cas d'opérations de sauvetage, une seule personne à la fois doit utiliser le même segment de câble vertical entre les supports intermédiaires des guides-câbles. Chaque utilisateur doit être attaché à un antichute distinct. L'antichute mobile est destiné à être utilisé par **une personne seulement**. La distance entre les utilisateurs **ne doit pas être inférieure à 3 m / 10 pi** (Fig. 1). Le nombre réel d'utilisateurs dépend de la capacité portante de la structure de base.

Le poids minimale de l'utilisateur, sans les vêtements et l'équipement, est de **50 kg / 110 lb**. Le poids maximale de l'utilisateur, vêtements et équipement compris, est de **140 kg / 310 lb** et ne doit pas être dépassé.

L'antichute mobile ne doit pas être utilisé pour le maintien au travail. Si le maintien au travail est requis, un équipement pour le maintien au travail doit être utilisé.

L'antichute ne doit pas être touché pendant la montée/descente pour assurer une bonne sécurité.

Les points de fixation du câble du système antichute ne doivent pas être utilisés pour la fixation de charges.

Avant et pendant l'utilisation du système antichute installé, le système doit être inspecté visuellement pour s'assurer qu'il fonctionne correctement.

La température de fonctionnement est **-40 °C à +70 °C / -40 °F à 158 °F** ; Assurez-vous que le système est exempt de graisse, d'huile et de glace. L'opérateur doit consulter son médecin pour sa santé et ne doit pas être sous l'influence d'alcool, de drogues ni de médicaments qui pourraient affecter la sécurité d'utilisation de l'équipement.



Important !

L'utilisateur peut ne pas être suffisamment protégé contre les impacts avec le sol ni contre les obstacles s'il se trouve à une hauteur inférieure à 3 m / 10 pieds. Avant d'utiliser le système en toute sécurité, assurez-vous qu'il y a l'espace libre requis sous les pieds de l'utilisateur.



Avertissement

Avant d'utiliser cet antichute, l'utilisateur doit lire et comprendre ce manuel d'instructions et toutes les instructions supplémentaires fournies pendant la formation ou livrées avec l'antichute ou le système antichute.



Avertissement

Toute modification ou ajout à l'antichute de la série Söll VC500 sans l'approbation écrite du fabricant peut nuire au bon fonctionnement de l'antichute et est donc interdit.

CONSERVEZ CE MANUEL POUR UNE UTILISATION FUTURE - NE LE JETEZ PAS !

4 EXTENSION DE PLATE-FORME POUR DISPOSITIF D'ANCRAGE

L'extension de la plate-forme Honeywell Söll Vi-Go est un point d'ancrage certifié pour la protection contre les chutes pour :

- 2 personnes conformément à EN 795:2012 et CEN/TS 16415:2013
- 1 personne conformément à ANSI Z359.18.

L'œillet de la plaque d'acier d'ancrage (Fig. 2, Pos. 1) sert de point d'ancrage.

Par conséquent, l'utilisateur peut être protégé contre les chutes lors de la transition de la progression verticale à la progression horizontale. Les points de déclenchement à l'entrée et dans la zone de travail doivent être évités.



Avertissement !

Le dispositif d'ancrage ne doit pas être utilisé si l'œillet d'ancrage a été affecté par une chute. Dans ce cas, le dispositif d'ancrage doit être vérifié par une personne autorisée et si nécessaire remplacé.

L'extension de la plate-forme du dispositif d'ancrage ne peut être utilisée qu'en combinaison avec les équipements de sécurité suivants :

- Systèmes de protection individuelle contre les chutes selon EN 363 ou ANSI/ASSP Z359.1:2020-00
- Absorbants d'énergie selon EN 355 ou ANSI/ASSP Z359.13:2013-00
- Systèmes de sauvetage selon EN 1496 ou ANSI/ASSP Z359.4:2013-00, EN 1479, EN 1498 et ANSI/ASSP Z359.4:2013-00

Le système d'équipement de protection individuelle contre les chutes (uniquement avec un absorbeur d'énergie) ou le système de sauvetage doit être choisi de manière à éviter une collision de l'utilisateur avec le sol ou une collision avec d'autres obstacles. Suivez les instructions d'utilisation du fabricant.

Pour sécuriser contre la chute, le mousqueton (Fig. 3, Pos. 2) d'un dispositif de connexion doit être installé sur l'œillet de la plaque d'ancrage en acier (Fig. 3, Pos. 1) et verrouillé pour éviter toute déconnexion involontaire.



Danger !

Le mousqueton du dispositif de connexion ne doit pas être déconnecté du dispositif d'ancrage avant que l'utilisateur ne soit protégé par une autre solution contre une chute.

5 UTILISATION



Important !

5.1 INSPECTION AVANT LA MONTÉE :

- Avant chaque utilisation, inspectez le câble, la tension du câble, l'antichute et les mousquetons pour vous assurer qu'ils sont en bon état.
- Le système antichute ne doit pas être utilisé si des défauts ont été constatés ou en cas de doute sur son bon fonctionnement. Avant toute nouvelle utilisation, une inspection par une personne autorisée est nécessaire et les pièces défectueuses doivent être remplacées.
- Un plan de sauvetage doit être mis en place avant l'utilisation du système antichute.



Avertissement

Si le harnais se desserre pendant la montée ou la descente, atteignez une position sûre et ajustez-le correctement. Lorsqu'il travaille dans ou à côté de la voie d'ascension et lors de travaux et d'actions qui ne font pas partie des mouvements habituels de montée et de descente, l'utilisateur doit en outre se sécuriser avec une longe conformément à la norme EN 354 ou une longe de maintien au travail conformément à EN 358:2018-11 ou ANSI/ASSP Z 359.4:2013-00. Ceci s'applique également aux positions d'inactivité tout en se reposant sur l'échelle antichute. Seuls des dispositifs d'ancrage appropriés doivent être utilisés. Dans toutes ces situations, la longe doit être maintenue serrée pour éviter une chute.



Important !

Les antichutes de la série Söll VC500 doivent être utilisés uniquement avec des systèmes ayant une inclinaison de 15° maximum de la verticale dans toutes les directions.



Important !

L'antichute selon EN 353-1+A1:2017-12, CSA Z259.2.5-17, ANSI A14.3-2008, ANSI Z359.16-2016, et NBR 14627 ne doivent être utilisés que par des personnes qui :

- ont été formées ou sont autrement autorisées
- sont supervisées directement par une personne formée ou autorisée.

5.2 CONNEXION AU SYSTÈME :

- La conception permet la fixation sur des câbles en acier galvanisé ou inoxydable de 8 mm (5/16 po) ou 10 mm (3/8 po) qui font partie du système Söll Vi-Go.
- L'antichute est doté d'un mécanisme qui permet d'éviter qu'il ne soit mal fixé au câble.

5.3 CONNEXION DE L'ANTICHUTE AU HARNAIS COMPLET :

- Abaissez la bague moletée du mousqueton.
- Tournez ensuite la bague moletée et appuyez dessus.
- Attachez-la directement à la connexion sternale du harnais complet.
- Relâchez la bague moletée, elle se verrouille automatiquement.



Danger !

Un mousqueton non sécurisé (bague moletée ouverte) est dangereux pour la vie humaine.

La sangle abdominale ou thoracique du harnais complet doit être bien ajustée au corps (Fig. 4).



Danger!

Le mousqueton de l'antichute doit être inséré directement dans le point d'attache sternal du harnais complet (Fig. 5, 6, 7).

5.4 INSERTION DANS LE CÂBLE DE GUIDAGE

VC510

- Tenez l'antichute de manière à ce que la flèche sur le boîtier soit orientée vers le haut.
- Soulevez le mousqueton avec le levier de frein vers le haut (Fig. 8a).
- Tirez sur le bouton de verrouillage de l'antichute, puis faites-le glisser loin du câble (Fig. 8b).
- À travers l'espace maintenant ouvert dans le boîtier de l'antichute, placez l'antichute sur le câble de sorte que la flèche sur le boîtier pointe vers le haut (Fig. 8c).
- Relâchez le levier de frein et le bouton de verrouillage.
- Le Söll VC510 est maintenant connecté au câble guide.
- Vérifiez si l'antichute peut coulisser librement verticalement sur le câble de guidage.
- Vérifier le fonctionnement du mécanisme de verrouillage et de verrouillage en actionnant le levier de frein.

VC570

- Tenez l'antichute de manière à ce que la flèche sur le boîtier soit orientée vers le haut.
- Soulevez le mousqueton avec le levier de frein vers le haut (Fig. 9a).
- Appuyez sur le bouton supérieur vers le bas, dans le corps de l'antichute (Fig. 9b, Pos. 1).
- Appuyez sur la gâchette dans le corps de l'antichute (Fig. 9b, Pos. 2).
- À travers l'espace maintenant ouvert dans le boîtier de l'antichute, placez l'antichute sur le câble de sorte que la flèche sur le boîtier pointe vers le haut (Fig. 9c).
- Relâchez le levier de frein, le bouton et la gâchette.
- Le Söll VC570 est maintenant connecté au câble de guidage.
- Vérifiez si l'antichute peut coulisser librement verticalement sur le câble de guidage.
- Vérifier le fonctionnement du mécanisme de verrouillage et de verrouillage en actionnant le levier de frein.

5.5 RETRAIT DE L'ANTICHUTE DU CÂBLE DE GUIDAGE



Avertissement !

Avant de retirer l'antichute du câble vertical ou de le détacher du harnais, les utilisateurs doivent être sécurisés et protégés contre une chute de hauteur !

VC510

- Soulevez le mousqueton avec le levier de frein vers le haut.
- Tirez sur le bouton de verrouillage de l'antichute, puis faites-le glisser loin du câble.
- À travers l'espace maintenant ouvert dans le boîtier de l'antichute, retirez l'antichute.
- Relâchez le levier de frein et le bouton de verrouillage.

VC570

- Soulevez le mousqueton avec le levier de frein vers le haut.
- Appuyez sur le bouton supérieur vers le bas, dans le corps de l'antichute.
- Appuyez sur la gâchette dans le corps de l'antichute.
- À travers l'espace maintenant ouvert dans le boîtier de l'antichute, retirez l'antichute.
- Relâchez le levier de frein, le bouton et la gâchette.

6 INSPECTION

La sécurité des utilisateurs dépend de l'efficacité et de la durabilité de l'équipement. En fonction de la législation locale, de la fréquence d'utilisation et des conditions environnementales, les antichutes doivent être inspectées par une personne compétente régulièrement et au moins tous les 12 mois selon ANSI Z359 / EN 365. Les inspections périodiques ne doivent être effectuées que par une personne compétente et en stricte conformité avec les procédures d'inspection périodique du fabricant.

Avant chaque utilisation et lors de l'inspection périodique, l'antichute doit être inspecté visuellement pour s'assurer que :

- l'écart entre le mécanisme de verrouillage et le boîtier de l'antichute ne doit pas être supérieur à 5 mm / 0,118 in (Fig. 10),
- l'écart entre les boucles d'absorption doit être inférieur à 2 mm / 0,08 in (Fig. 11),
- il n'y a aucun signe d'usure, de dommage ni d'autre détérioration,
- les étiquettes/marquages du produit sont lisibles.

Si les exigences ci-dessus ne sont pas respectées, l'antichute doit être retiré du service et remplacé ou réparé. Les réparations ne peuvent être effectuées que par le fabricant.



Avertissement !

Un antichute qui a stoppé la chute d'un utilisateur doit être retiré du service.

7 MAINTENANCE

NETTOYAGE

Nettoyer à l'eau. N'utilisez en aucun cas des solvants ni des agents de nettoyage contenant des acides/alcalins. Laisser sécher naturellement dans un endroit bien aéré, loin de tout feu ouvert ou de toute autre source de chaleur.

DURÉE DE VIE

Un bon entretien de votre EPI contribuera à assurer une meilleure longévité du produit et votre sécurité.

La durée de vie de l'antichute dépend de la fréquence d'utilisation et des conditions d'utilisation. Lors des inspections annuelles effectuées par une personne ou un organisme autorisé, l'antichute ne sera admis pour une utilisation ultérieure que si le produit et ses composants sont en bon état.

TRANSPORT ET STOCKAGE

Pendant le transport et le stockage, assurez-vous que votre EPI est placé à l'écart des sources de chaleur, de l'humidité, de l'atmosphère corrosive, des rayons ultraviolets, etc., et évitez tout choc ou vibration excessive.

8 GESTION DES ARTICLES

VC510 & VC570 présentent des numéros de série uniques sur le côté du corps extérieur (voir marquage du produit, point « N »).

RFID

VC570 intègre une étiquette d'identification par radiofréquence (IRD) contenant un numéro d'identification unique qui peut être utilisé pour le suivi des actifs conformément à la norme ISO 18000-63. L'IRD permet des inspections rapides sur le terrain et spécifie des informations telles que le numéro de modèle, la date de fabrication, contrôle/numéro de lot et normes respectées. En plus du type de lecteur et de l'étiquette IRD, la distance de lecture IRD optimale varie en fonction du lecteur, de l'orientation de l'étiquette et du matériau.

L'étiquette IRD est placée sous le capot plastique de l'antichute - voir marquage produit.



SPÉCIFICATION

- Fréquence globale : 840 - 940 MHz
- Mémoire EPC 128 bits, TID : 96 bits
- Conservation des données : 20 ans

RECOMMANDATIONS

Après avoir nettoyé votre équipement de protection individuelle, veuillez scanner votre étiquette IRD pour vérifier qu'elle n'a pas été endommagée.

9 PROTECTION ENVIRONNEMENTALE



Le symbole WEEE indique que ce produit ne doit pas être traité comme un déchet ménager.

Pour protéger l'environnement, assurez-vous que le produit est éliminé correctement. Pour plus d'informations sur le recyclage de ce produit, veuillez contacter votre autorité locale, votre fournisseur de services d'élimination des déchets ménagers/industriels ou le point de vente du produit.

Söll VC500 - Vođeni sustav za zaštitu od pada za Söll Vi-Go/Antec CABMAX okomiti sustav za zaštitu od pada

1 OPĆE INFORMACIJE

NORMATIVNE REFERENCE

Ovaj proizvod se odnosi na dolje navedeni popis standarda i direktiva. Odgovornost je korisnika da radi sukladno odgovarajućim standardima navedenima u ovom priručniku.

Referentne skupine standarda/direktiva u daljem tekstu primjenjive su prema tržištu, npr. ako se proizvod koristi u Europskoj uniji (EU), korisnik mora biti sukladno EU standardima/direktivama i svi drugi standardi navedeni u korisničkom priručniku nisu relevantni.

U ovom dokumentu, kruti sidreni konop također se naziva "kabel" ili "kabel za navođenje".

EUROPSKI STANDARDI

EN 353-1+A1:2017-12 - Osobna oprema za zaštitu od pada - Uređaji za zaustavljanje pada s vodilicom uključujući vod sidra - Dio 1: Uređaji za zaustavljanje pada s vodilicom uključujući čvrsti vod sidra
CEN/P/11.119 - OZO Uredba (EU) 2016/425

AMERIČKI STANDARDI I UREDBE

ANSI-ASC A14.3-2008 - Ljestve - Fiksno - Sigurnosni zahtjevi

ANSI/ASSE Z359.16-2016 - Sigurnosni zahtjevi za sustave za zaštitu od pada po ljestvama za penjanje OSHA 1910.29 & 1926.502

KANADSKI STANDARDI

CSA Z259.2.5-17 - Zaštita od pada i okomita užad za spašavanje

BRAZILSKI STANDARDI

NBR 14627 - Equipamento de proteção individual contra queda de altura - Travaqueda guiado em linha rígida

2 SUSTAV

Uređaji za zaustavljanje pada serije Söll VC500 mogu se koristiti uz Söll Vi-Go/Antec CABMAX sustav za okomito zaustavljanje pada (u daljnjem tekstu „sustav za zaustavljanje pada“) i zadovoljavaju standard naveden u sljedećoj tablici:

		Söll Vi-Go sustav			ANTEC Cabmax
		bez gornjeg amortizera	s gornjim amortizerom FPH_30176	s gornjim amortizerom tipa TRTB/	
Ured	Söll VC510	<ul style="list-style-type: none"> ANSI A14.3-2018 OSHA 1910.29 & 1926.502 EN 353-1+A1:2017-12 UKCA 	<ul style="list-style-type: none"> ANSI A14.3-2018* OSHA 1910.29 & 1926.502* 	<ul style="list-style-type: none"> ANSI A14.3-2018 OSHA 1910.29 & 1926.502 	<ul style="list-style-type: none"> EN 353-1+A1:2017-12
	Söll VC570	<ul style="list-style-type: none"> ANSI Z359.16-2016 OSHA 1910.29 & 1926.502 CSA Z259.2.5-17 EN 353-1+A1:2017-12 UKCA 	<ul style="list-style-type: none"> ANSI Z359.16-2016* OSHA 1910.29 & 1926.502* 	<ul style="list-style-type: none"> ANSI Z359.16-2016 OSHA 1910.29 & 1926.502 CSA Z259.2.5-17 	X

*Samo s kabelima i komponentama od nehrđajućeg čelika od 10 mm (3/8 inča).

Svi sustavi za zaustavljanje pada serije Söll VC500 mogu se koristiti s okomitim sustavima za zaustavljanje pada s automatskim ili ručnim prolaznim nosačima, s kabelima od 8 mm (5/16") ili 10 mm (3/8"). Za daljnje informacije pogledajte Söll Vi-Go vodič za instalaciju sustava.

3 SIGURNOSNE PREDOSTROŽNOSTI

Bilo tko tko radi na okomitom sustavu za zaustavljanje pada ili s njim mora se upoznati s ovim uputama prije uporabe sustava. Oprema za zaustavljanje pada se ne smije koristiti izvan svojih ograničenja a bilo koje svrhe osim onih za koje je namijenjena. Ako ne radite sukladno ovim uputama, to predstavlja rizik po ljudski život. Operatori moraju primiti obuku koja uključuje ove upute i korisničke informacije prije početka rada, i ponovo najmanje jednom godišnje. Osigurajte da na sigurnosnu funkciju bilo koje komponente ne utječe sigurnosna funkcija druge komponente i da one ne ometaju jednu drugu. Ako se proizvod proda izvan prve zemlje destinacije, osoba koja prodaje mora osigurati da je proizvod sukladan sa zakonima primjenjivim u toj zemlji i dati upute za proizvod na odgovarajućem jeziku.

Operater sustava za zaustavljanje pada, kao i korisnik uređaja za zaustavljanje pada mora osigurati da ovaj priručnik uvijek bude pravilno pohranjen i dostupan za konzultacije u svakom trenutku.

Obvezno je pridržavati se i državnih uredbi o sprječavanju nesreća i uporabi sigurnosne opreme za građevinske radove.

Navodena zaštita od pada sastavni je dio sustava za zaštitu od pada sukladno EN 353-1:2014+A1:2017, CSA Z259.2.5-17, ANSI A14.3-2008 i ANSI Z359.16-2016, i dizajniran je za korištenje kao osobna sigurnosna oprema. Kako bi se osigurala ispravna uporaba sustava za zaustavljanje pada, operater mora osigurati da se pojas za cijelo tijelo i uređaj za zaustavljanje pada koriste sukladno ovim uputama. Nakon uporabe, uređaj za zaustavljanje pada ne smije se ostaviti povezan na sustav za sigurno padanje. Uređaj za zaustavljanje pada mora raditi samo u originalnom sustavu za zaustavljanje pada. Pojas za cijelo tijelo je jedini prihvatljivi uređaj za držanje tijela koji se može koristiti u sustavu za zaustavljanje pada. Sustav za sigurno penjanje smije se koristiti samo s punim pojasevima za tijelo koji su provjereni i odobreni sukladno s EN 361:2002-05, NBR 15836, CSA Z259.2.5-17, ili ANSI Z359.16-2016 i opremljeni s prednjom točkom povezivanja.

Za postizanje spajanja između uređaja za zaustavljanje pada i pojasa za cijelo tijelo, spojite kuku karabinera uređaja za zaustavljanje pada na certificirani pričvršni prsten označen kao "A" (primjenjivo samo ako je sukladno EN 361:2002-05) na prsnom dijelu pojasa za cijelo tijelo. Razdaljina između uređaja za zaustavljanje pada i punog pojasa za tijelo ne smije se minimizirati niti povećavati (primjerice dodavanjem ili uklanjanjem konektora). Karabiner se ne smije produljivati niti skraćivati.

Maksimalno 4 korisnika mogu biti priključena na sustav u isto vrijeme (uključujući korisnike priključene na sidrišnu točku, kada se koristi proširenje platforme). Osim u slučaju operacija spašavanja, samo jedna osoba u isto vrijeme smije koristiti isti segment okomitog kabela između međunosaača za vodiče kabela. Svaki korisnik mora biti osiguran zasebnim sustavom za zaštitu od pada. Navodeni uređaj za zaustavljanje pada namijenjen je samo za **1 osobu**. Udaljenost između korisnika **ne smije biti manja od 3 m / 10 ft** (Sl. 1). Stvarni broj korisnika ovisi o kapacitetu nošenja tereta osnovne strukture.

Minimalno opterećenje korisnika bez odjeće i opreme je **50 kg/110 lb**. Maksimalno opterećenje korisnika uključujući i odjeću i opremu je **140 kg/310 lb** i ne smije se prekoračiti.

Uređaj za zaustavljanje pada tipa s vodicom ne smije se koristiti za radni položaj. Ako je potrebno radno postavljanje položaja, mora se koristiti oprema za radno pozicioniranje.

Zaštita od pada ne smije se dodirivati tijekom penjanja/spuštanja kako bi se osigurala sigurnost.

Točke za pričvršćivanje sajle sustava za zaštitu od pada ne smiju se koristiti za osiguranje tereta.

Prije i tijekom uporabe postavljenog sustava za zaustavljanje pada, sustav morate vizualno pregledati kako biste osigurali da ispravno radi.

Radna temperatura **-40 °C do +70 °C / -40 °F do 158 °F**; pazite da je sustav bez masti, ulja i leda. Operater se mora posavjetovati sa svojim liječnikom o svom zdravlju i ne smije biti pod utjecajem alkohola, droga ili lijekova koji bi mogli utjecati na sigurnu upotrebu proizvoda.



Važno!

Korisnik možda nije dovoljno zaštićen od udara o tlo ili prepreka ako se nalazi na visini manjoj od 3 m/10 ft. Prije uporabe sustava za sigurno padanje, osigurajte da ispod stopala korisnika ima dovoljno prostora.



Upozorenje

Prije uporabe ovog uređaja za zaustavljanje pada, korisnik mora pročitati i razumjeti ovaj priručnik s uputama i sve dodatne upute dane tijekom obuke ili uz uređaj za zaustavljanje pada ili sustav za zaustavljanje pada.



Upozorenje

Sve izmjene ili dopune uređaja za zaustavljanje pada serije Söll VC500 bez pisanog odobrenja proizvođača mogu onemogućiti ispravno funkcioniranje uređaja za zaustavljanje pada i stoga su zabranjene.

ČUVAJTE OVAJ PRIRUČNIK ZA BUDUĆU UPORABU - NEMOJTE GA BACATI!

4 PRODUŽENJE PLATFORME SIDRENOG UREĐAJA

Honeywell Söll Vi-Go platformski produžetak je certificirana sidrišna točka za zaštitu od pada za:

- **2 osobe** sukladno EN 795:2012 i CEN/TS 16415:2013
- **1 osoba** sukladno ANSI Z359.18.

Ušica čelične ploče za sidrenje (sl. pol. 1) služi kao sidrena točka.

Stoga korisnik može biti zaštićen od pada tijekom prijelaza s okomitog na vodoravno kretanje naprijed. Moraju se izbjegavati mjesta spoticanja na ulazu i radnom području.



Upozorenje!

Naprava za sidro ne smije se koristiti ako je ušica sidra bila napregnuta padom. U tom slučaju, sidrenu napravu mora provjeriti ovlaštena osoba i po potrebi zamijeniti.

Proširenje platforme sidrenog uređaja smije se koristiti samo zajedno sa sljedećom sigurnosnom opremom:

- osobni sustavi zaštite od pada sukladno EN 363 ili ANSI/ASSP Z359.1:2020-00
- apsorberi energije sukladno EN 355 ili ANSI/ASSP Z359.13:2013-00
- sustavi spašavanja sukladno EN 1496 ili ANSI/ASSP Z359.4:2013-00, EN 1479, EN 1498 i ANSI/ASSP Z359.4:2013-00

Sustav osobne zaštitne opreme od pada (samo s upijačem energije) ili sustav za spašavanje moraju se odabrati tako da se sudar korisnika s tlom ili sudar s drugim preprekama može izbjeći. Slijedite upute proizvođača za korisnika.

Kako bi se osigurala od pada, karabiner kuka (Slika 3, poz. 2) spojnog uređaja mora biti postavljena na ušicu čelične ploče sidra (Slika 3, poz. 1) i zaključana kako bi se izbjeglo nenamjerno odvajanje.



Opasnost!

Karabiner spojne naprave ne smije se odvojiti od sidrene naprave prije nego što korisnik bude zaštićen drugim rješenjem od pada.

5 UPORABA



Važno!

5.1 PREGLED PRIJE PENJANJA:

- Prije svake uporabe provjerite upotrebljivost sajle, zategnutosti sajle, zaštite od pada i karabinera.
- Sustav za zaustavljanje pada ne smije se koristiti ako se primijetili kvarove ili u slučaju sumnji u njegov ispravan rad . Prije dalje uporabe, potrebno je da nadležna osoba pregleda i zamijeni pokvarene dijelove.
- Prije upotrebe sustava za zaustavljanje pada mora postojati plan spašavanja.



Upozorenje

Ako pojas postane labav tijekom penjanja ili spuštanja, dohvatite siguran položaj i pravilno ga namjestite.

Prigodom rada u ruti uspona ili uz nju, te tijekom poslova i radnji koji nisu dio uobičajenih uspona i spuštanja, penjač se mora dodatno osigurati užetom za radno postavljanje položaja sukladno EN 358 :2018-11 ili ANSI/ASSP Z 359.4:2013-00. Ovo je također primjenjivo za položaje mirovanja dok se odmarate na ljestvama za zaustavljanje pada. Moraju se koristiti samo prikladni uređaji za sidrenje. Tada, vezica se mora držati čvrsto kako bi se spriječio pad.



Važno!

Söll VC500 serija zaštita od pada mora se koristiti samo sa sustavima s nagibom od max. 15° od okomice u svim smjerovima.



Važno!

Zaštita od pada prema EN 353-1+A1:2017-12, CSA Z259.2.5-17, ANSI A14.3-2008, ANSI Z359.16-2016, i NBR 14627 smiju koristiti samo osobe koje:

- Su obučene ili nadležne na neki drugi način
- Su pod nadzorom obučene ili nadležne osobe.

5.2 POVEZIVANJE NA SUSTAV:

- Dizajn omogućuje fiksiranje na kabele od **8 mm (5/16 in)** ili **10 mm (3/8 in)** od pocinčanog ili nehrđajućeg čelika koji su dio Söll Vi-Go sustava.
- Zaštita od pada ima mehanizam koji pomaže spriječiti da se zaštita od pada nepravilno pričvrsti na sajlu.

5.3 POVEZIVANJE UREĐAJA ZA ZAUSTAVLJANJE PADA NA POJAS ZA CIJELO TIJELO:

- Povucite nazubljenu čahuru karabinera prema dolje.
- Zatim okrenite grubu čahuru i pritisnite ju prema unutra.
- Pričvrstite ju izravno na prsnu vezu pojasa za cijelo tijelo.
- Otpustite grubu čahuru, ona se automatski zaključava.

**Opasnost!**

Neosigurani karabiner (otvorena gruba čahura) je opasan po ljudski život.
Abdominalna ili torakalna traka pojasa za cijelo tijelo mora čvrsto prijanjati uz tijelo (vidi sl. 4).

**Opasnost!**

Karabiner za zaustavljanje pada mora biti umetnut izravno u prsnu točku za pričvršćivanje pojasa za cijelo tijelo (sl. 5, 6, 7).

5.4 UMETANJE U KABEL ZA VOĐENJE**VC510**

- Držite uređaj za zaustavljanje pada tako da strelica na kućištu pokazuje prema gore.
- Podignite karabiner s polugom kočnice prema gore (Sl. 8a).
- Povucite gumb za zaključavanje dalje od zaštite od pada, zatim ga gurnite dalje od kabela (Sl. 8b).
- Kroz sada otvoreni otvor u kućištu uređaja za zaustavljanje pada, postavite uređaj za zaustavljanje pada na sajlu na način da strelica na kućištu pokazuje prema gore (Slika 8c).
- Otpustite ručicu za kočenje i sigurnosni gumb.
- Söll VC510 je sada spojen na kabel za vođenje.
- Provjerite može li zaštita od pada slobodno okomito kliziti po užetu za vođenje.
- Provjerite rad mehanizma za zaključavanje i hvatanje pomičući polugu za kočenje.

VC570

- Držite uređaj za zaustavljanje pada tako da strelica na kućištu pokazuje prema gore.
- Podignite karabiner s polugom kočnice prema gore (Sl. 9a).
- Pritisnite gornji gumb prema dolje, u tijelo zaštite od pada (Sl. 9b, poz. 1).
- Pritisnite okidač u tijelo uređaja za zaštitu od pada (Sl. 9b, poz. 2).
- Kroz otvor koji se sada otvorio u kućištu uređaja za zaustavljanje pada, postavite uređaj za zaustavljanje pada na sajlu tako da strelica na kućištu pokazuje prema gore (Slika 9c).
- Otpustite polugu kočnice, gumb i okidač.
- Söll VC570 je sada spojen na kabel za vođenje.
- Provjerite može li zaštita od pada slobodno okomito kliziti po užetu za vođenje.
- Provjerite rad mehanizma za zaključavanje i hvatanje pomjerajući polugu za kočenje.

5.5 UKLANJANJE UREĐAJA ZA ZAUSTAVLJANJE PADA IZ KABELA VODILICE**Upozorenje!**

Prije uklanjanje uređaja za zaustavljanje pada iz okomitog kabela ili odvajanja od pojasa, korisnici se moraju osigurati i zaštititi od pada s visine na drugi način!

VC510

- Podignite karabiner s polugom kočnice prema gore.
- Povucite gumb za zaključavanje dalje od zaštite od pada, zatim ga gurnite dalje od kabela.
- Kroz sada otvoreni otvor u kućištu uređaja za zaštitu od pada, uklonite uređaj za zaštitu od pada.
- Otpustite ručicu za kočenje i sigurnosni gumb.

VC570

- Podignite karabiner s polugom kočnice prema gore.
- Pritisnite gornji gumb prema dolje, u tijelo uređaja za zaštitu od pada.
- Pritisnite okidač u tijelo uređaja za zaštitu od pada.
- Kroz sada otvoreni otvor u kućištu uređaja za zaštitu od pada, uklonite uređaj za zaštitu od pada.
- Otpustite polugu kočnice, gumb i okidač.

6 PREGLED

Sigurnost korisnika ovisi o trajnoj učinkovitosti i trajnosti opreme. Sukladno lokalnom zakonodavstvu, učestalosti uporabe i uvjetima okoline, sustave za zaštitu od pada mora redovito pregledavati kompetentna osoba, a najmanje svakih 12 mjeseci prema ANSI Z359 / EN 365. Periodične preglede smije provoditi samo kompetentna osoba i to strogo sukladno postupcima za periodični pregled koje daje proizvođač.

Prije svake uporabe i tijekom periodičnih pregleda, uređaj za zaštitu od pada mora se vizualno pregledati kako bi se osiguralo da:

- Jaz između mehanizma za zaključavanje i kućišta zaštite od pada ne smije biti veći od 5 mm / 0,118 in (Sl. 10).
- Jaz između petlji upijača ne smije biti manji od 2 mm/0.08 in (sl. 11).
- Nema znakova istrošenosti, oštećenja ili druge štete
- Etikete/oznake proizvoda su čitljive.

Ako gornji zahtjevi nisu ispunjeni, zaštita od pada mora se ukloniti iz upotrebe i zamijeniti ili popraviti. Popravak može izvršiti samo proizvođač.



Upozorenje!

Uređaj za zaustavljanje pada koji je zaustavio korisnikov pad s visine mora se ukloniti iz upotrebe.

7 ODRŽAVANJE

ČIŠĆENJE

Čistite vodom. Nemojte koristiti bilo kakva otapala ili sredstva za čišćenje koja sadrže kiselinu/ alkaliju ni u kom slučaju. Dopustite prirodno sušenje na dobro provjetrenom mjestu, daleko od otvorenog plamena ili bilo kojeg drugog izvora toplote.

VIJEK TRAJANJA

Odgovarajuća briga o vašoj osobnoj zaštitnoj opremi pomoći će u osiguravanju boljeg vijeka trajanja proizvoda i vaše sigurnosti.

Radni vijek uređaja za zaustavljanje pada ovisi o učestalosti uporabe i radnim uvjetima. Tijekom radnog pregleda od strane ovlaštene osobe ili ovlaštenog tijela uređaj za zaustavljanje pada pušta se za dalju uporabu ako su proizvod i njegove komponente u dobrom stanju.

PRIJEVOZ I POHRANA

Tijekom prijevoza i pohrane, obratite pozornost na to da se OZO postavlja dalje od izvora toplote, vlage korozivne atmosfere, ultraljubičastih zraka itd. i izbjegavajte bilo kakve udarce ili pretjerane vibracije.

8 UPRAVLJANJE STAVKOM

VC510 & VC570 predstavljaju jedinstvene serijske brojeve na bočnoj strani vanjske strane tijela (pogledajte Označavanje proizvoda, točka "N").

RFID

VC570 uključuje RFID (Radio Frequency Identification) oznaku koja sadrži jedinstveni identifikacijski broj koji se može koristiti da se prati imovina prema ISO 18000-63. RFID omogućuje brze inspekcije na terenu i navodi informacije uključujući broj modela, datum proizvodnje, pregled/seriju broj i ispunjene standarde. Pored vrste čitača i RFID oznake, optimalna RFID distanca očitavanja varira ovisno o čitaču, smjeru oznake i materijalu.

RFID oznaka nalazi se ispod plastičnog poklopca zaštite od pada - pogledajte oznaku proizvoda.



SPECIFIKACIJA

- Frequency Global: 840 ~ 940 MHz
- Memory EPC 128bits, TID: 96bit
- Zadržavanje podataka: 20 godina

PREPORUKE

Nakon čišćenja svoje OZO molimo skenirati svoju RFID oznaku kako biste provjerili je li oštećena.

9 ZAŠTITA OKOLIŠA



WWE simbol označava da se ovaj proizvod ne smije tretirati kao kućni otpad.

Radi zaštite okoliša, osigurajte da se proizvod pravilno zbrine. Za više pojedinosti o recikliranju ovog proizvoda, molimo kontaktirajte nadležne, vašeg pružatelja usluge za kućni/industrijski otpad ili mjesto gdje ste kupili proizvod.

Söll VC500 - Vezetett típusú zuhanáságtlő a Söll Vi-Go/Antec CABMAX függőleges zuhanáságtlő rendszerhez

1 ÁLTALÁNOS INFORMÁCIÓ

NORMATÍV HIVATKOZÁSOK

Ez a termék az alábbiakban felsorolt szabványoknak és irányelveknek felel meg. A felhasználó felelőssége, hogy megfeleljen az ebben a kézikönyvben tárgyalt vonatkozó szabványoknak.

Az alábbiakban hivatkozott szabványok/irányelvek a piacnak megfelelően alkalmazandók, pl. ha a terméket az Európai Unióban (EU) használják, a felhasználónak meg kell felelnie az EU szabványoknak/irányelveknek, és a használati útmutatóban említett összes többi szabvány nem releváns.

Ebben a dokumentumban a merev horgonykötélre „kábelként” vagy „vezetőkábelként” is hivatkozunk.

EURÓPAI SZABVÁNYOK

EN 353-1+A1:2017-12 - Személyi zuhanásvédelmi felszerelések - Vezetett típusú zuhanáságtlő horgonykötéllel - 1. rész: Vezetett típusú zuhanáságtlők merev horgonykötéllel
CNB/P/11.119 - PPE-rendelet (EU) 2016/425

AMERIKAI SZABVÁNYOK ÉS RENDELETEK

ANSI-ASC A14.3-2008 - Létrák-Rögzített-Biztonsági követelmények
ANSI/ASSE Z359.16-2016 - A mászólétra zuhanáságtlő rendszereinek biztonsági követelményei OSHA 1910.29 és 1926.502

KANADAI SZABVÁNYOK

CSA Z259.2.5-17 - Zuhanáságtlők és függőleges mentőkötélek

BRAZIL SZABVÁNYOK

NBR 14627 - Magasból történő lezuhanás elleni egyéni védőfelszerelések - Vezetett merev kötéllel ellátott zuhanáságtlők

2 RENDSZER

A Söll VC500 sorozatú zuhanáságtlő a Söll Vi-Go/Antec CABMAX függőleges zuhanáságtlő rendszerrel (a továbbiakban „zuhanáságtlő rendszer”) együtt használhatók, és megfelelnek a következő táblázatban feltüntetett szabványoknak:

		Söll Vi-Go rendszer			ANTEC Cabmax
		felső lengéscsillapító nélkül	felső lengéscsillapítóval FPH_30176	felső lengéscsillapítóval TRTB/	
Zuha	Söll VC510	<ul style="list-style-type: none"> • ANSI A14.3-2018 • OSHA 1910.29 & 1926.502 • EN 353-1+A1:2017-12 • UKCA 	<ul style="list-style-type: none"> • ANSI A14.3-2018* • OSHA 1910.29 & 1926.502* 	<ul style="list-style-type: none"> • ANSI A14.3-2018 • OSHA 1910.29 & 1926.502 	• EN 353-1+A1:2017-12
	Söll VC570	<ul style="list-style-type: none"> • ANSI Z359.16-2016 • OSHA 1910.29 & 1926.502 • CSA Z259.2.5-17 • EN 353-1+A1:2017-12 • UKCA 	<ul style="list-style-type: none"> • ANSI Z359.16-2016* • OSHA 1910.29 & 1926.502* 	<ul style="list-style-type: none"> • ANSI Z359.16-2016 • OSHA 1910.29 & 1926.502 • CSA Z259.2.5-17 	X

*Csak 10 mm-es (3/8 hüvelykes) rozsdamentes acél kábelekkel és alkatrészekkel.

Minden Söll VC500 sorozatú zuhanáságtlő használható automatikus vagy kézi átvezető konzollal ellátott függőleges zuhanáságtlő rendszerekkel, **8 mm-es (5/16")** vagy **10 mm-es (3/8")** kábelekkel. További információért lásd a Söll Vi-Go rendszer telepítési útmutatóját.

3 BIZTONSÁGI ÓVINTÉZKEDÉSEK

A zuhanásgátló rendszerrel vagy azon dolgozóknak a rendszer használata előtt meg kell ismerniük ezeket az utasításokat. A zuhanásgátló felszereléseket nem szabad a korlátain kívül, vagy a rendeltetésétől eltérő célra használni. Az ezen utasításoknak nem megfelelő használat az emberi életet veszélyezteti. Az operatív személyzetet a munka megkezdése előtt, majd évente legalább egyszer ismétlődően ki kell oktatni a jelen utasításokra és a felhasználói információkra. Győződjön meg arról, hogy egyik alkatrész biztonsági funkcióját sem befolyásolja másik komponens biztonsági funkciója, és nem zavarják egymást. Ha a terméket az első rendeltetési országban kívül értékesítik, a viszonteladónak biztosítani kell, hogy a termék megfelel az adott országban alkalmazandó jogszabályoknak, és a termékre vonatkozó utasításokat a megfelelő nyelven kell rendelkezésre bocsátania.

A zuhanásgátló rendszer üzemeltetőjének, valamint a zuhanásgátló felhasználójának gondoskodnia kell arról, hogy ez a kézikönyv mindig megfelelően tárolva legyen, és bármikor rendelkezésre álljon.

A balesetmegelőzésre és az építőipari munkákhoz használt biztonsági felszerelések használatára vonatkozó nemzeti előírásokat be kell tartani.

A vezetett típusú zuhanásgátló az EN 353-1:2014+A1:2017, a CSA Z259.2.5-17, az ANSI A14.3-2008 és az ANSI Z359.16-2016 szabványoknak megfelelő zuhanásgátló rendszer szerves részét képezi, és személyi biztonsági felszerelésként való használatra készült. A zuhanásgátló rendszer megfelelő használatának elősegítése érdekében a kezelőnek biztosítani kell, hogy a teljes testeveder és a zuhanásgátló a jelen utasításoknak megfelelően kerüljön használatra. Használat után a zuhanásgátlót nem szabad a biztonságos mászórendszerhez csatlakoztatva hagyni. A zuhanásgátlót csak az eredeti zuhanásgátló rendszerben szabad működtetni. A teljes testeveder az egyetlen elfogadható testtartó eszköz, amely zuhanásgátló rendszerben használható. A biztonságos mászórendszer csak olyan teljes testevederekkel együtt használható, amelyeket az EN 361:2002-05, NBR 15836, CSA Z259.2.5-17 vagy ANSI Z359.16-2016 szabványoknak megfelelően ellenőriztek és jóváhagytak, és amelyek elülső rögzítési ponttal vannak ellátva.

A zuhanásgátló és a teljes testeveder összekapcsolásának eléréséhez csatlakoztassa a zuhanásgátló karabinerhorgát a teljes testeveder szegycsonti részén lévő „A” jelzéssel ellátott, tanúsított rögzítőgyűrűhöz (csak akkor alkalmazható, ha megfelel az EN 361:2002-05 szabványnak). A zuhanásgátló és a teljes testeveder közötti távolság nem csökkenthető vagy növelhető (pl. egy csatlakozó hozzáadásával vagy eltávolításával).

A karabiner hossza nem hosszabbítható vagy rövidíthető.

Egyszerre **legfeljebb 4 felhasználó** csatlakozhat a rendszerhez (beleértve a rögzítési ponthoz csatlakozó felhasználókat, amikor a platformbővítőt használják). A mentési műveletek kivételével egyszerre csak egy személy használhatja a függőleges kábel egyazon szakaszát a kábelvezetők közt lévő közbenső konzolok között. Minden egyes felhasználót külön zuhanásgátlóhoz kell rögzíteni. A vezetett típusú zuhanásgátlót **csak 1 személy** használhatja. A felhasználók közötti távolság **nem lehet kevesebb, mint 3 m / 10 láb** (1. ábra). A felhasználók tényleges száma az alapszerkezet teherbíró képességétől függ.

A felhasználó minimális terhelése a ruházat és a felszerelés nélkül **50 kg / 110 font**. A felhasználó maximális terhelése a ruházatot és a felszerelést is beleértve **140 kg / 310 font**, és ezt nem szabad túllépni.

A vezetett típusú zuhanásgátló nem használható munkapozicionálásra. Ha a munka pozicionálására van szükség, akkor munkapozicionáló felszerelést kell használni.

A biztonság érdekében a zuhanásgátlót nem szabad megérinteni a fel- és leszállás során.

A zuhanásgátló rendszer kábelének rögzítési pontjait nem szabad terhelés rögzítésére használni.

A telepített zuhanásgátló rendszer használatát előtt és közben szemrevételezéssel ellenőrizni kell a rendszer megfelelő működését.

Az üzemi hőmérséklet **-40 °C-tól +70 °C-ig / -40 °F-től 158 °F-ig**; gondoskodjon arról, hogy a rendszer zsír-, olaj- és jégmentes legyen. Az üzemeltetőnek konzultálnia kell orvosával az egészségi állapotáról, és nem állhat alkoholt, kábítószert vagy olyan gyógyszerek hatása alatt, amelyek befolyásolhatják a termék biztonságos használatát.



Fontos!

Előfordulhat, hogy a felhasználó nincs megfelelően védve a talajba vagy az akadályokba való ütközéstől, ha a magassága 3 m / 10 lábnál kisebb. A zuhanásgátló mászórendszer használatát előtt győződjön meg arról, hogy a felhasználó lába alatt van a szükséges szabad tér.



Figyelmeztetés

A zuhanásgátló használatát előtt a felhasználónak el kell olvasnia és meg kell értenie ezt a használati utasítást, valamint a képzés során adott vagy a zuhanásgátlóval vagy a zuhanásgátló rendszerrel együtt adott további utasításokat.



Figyelmeztetés

A Söll VC500 sorozatú zuhanásgátló bármilyen módosítása vagy kiegészítése a gyártó írásos jóváhagyása nélkül megakadályozhatja a zuhanásgátló megfelelő működését, ezért tilos.

ŐRIZZE MEG EZT A KÉZIKÖNYVET A KÉSŐBBI HASZNÁLATRA - NE DOBJA KI!

4 RÖGZÍTŐESZKÖZ PLATFORMBŐVÍTŐ

A Honeywell Söll Vi-Go platformbővítő egy tanúsított rögzítési pont a zuhanásvédelemhez:

- **2 személy** az EN 795:2012 és CEN/TS 16415:2013 szabványoknak megfelelően
- **1 személy** person az ANSI Z359.18 szabványoknak megfelelően.

A rögzítő acéllemez szeme (2. ábra, 1. pozíció) rögzítési pontként szolgál.

Ezért a felhasználó védve van a zuhanástól a függőlegesről a vízszintes haladásra való átmenet során. A bejáratnál és a munkaterületen el kell kerülni a botlásveszélyes pontokat.



Figyelem!

A rögzítő eszközt nem szabad használni, ha a rögzítőszemet egy zuhanás megerhelte. Ebben az esetben a rögzítő eszközt egy erre felhatalmazott személynek ellenőriznie kell, és szükség esetén ki kell cserélni.

A rögzítő eszköz platformbővítője csak a következő biztonsági felszerelésekkel együtt használható:

- az EN 363 vagy az ANSI/ASSP Z359.1:2020-00 szabványnak megfelelő személyi zuhanásvédelmi rendszerek
- az EN 355 vagy az ANSI/ASSP Z359.13:2013-00 szabványnak megfelelő energiaelnyelők
- az EN 1496 vagy az ANSI/ASSP Z359.4:2013-00, EN 1479, EN 1498 és ANSI/ASSP Z359.4:2013-00 szabványnak megfelelő mentőrendszerek

A zuhanás elleni személyes védőfelszerelés (csak energiaelnyelővel) vagy mentőrendszer rendszerét úgy kell megválasztani, hogy a felhasználónak a talajjal való ütközése vagy más akadályokkal való ütközése elkerülhető legyen. Kövesse a gyártó használati utasításait.

A zuhanás elleni biztosításhoz a csatlakozóeszköz karabinerhorgát (3. ábra, 2. pozíció) a rögzítő acéllemez szemére (3. ábra, 1. pozíció) kell felszerelni és rögzíteni, hogy elkerülhető legyen a véletlen lecsatlakozás.



Veszély!

A csatlakozóeszköz karabinerhorgát nem szabad a rögzítő eszközről leválasztani, mielőtt a felhasználót egy másik megoldással védik a zuhanás ellen.

5 HASZNÁLAT



Fontos!

5.1 MÁSZÁS ELŐTTI ELLENŐRZÉS:

- Minden használat előtt ellenőrizze a kábelt, a kábel feszességét, a zuhanásgátlót és a karabinereket használhatóság szempontjából.
- A zuhanásgátló rendszert nem szabad használni, ha hibákat észlel, vagy ha kétségek merülnek fel a megfelelő működésével kapcsolatban. A további használat előtt egy arra felhatalmazott személy általi ellenőrzés szükséges, és a hibás alkatrészeket ki kell cserélni.
- A zuhanásgátló rendszer használata előtt mentési tervet kell készíteni.



Figyelmeztetés

Ha a heveder fel- vagy leszállás közben meglazul, érje el a biztonságos helyzetet, és állítsa be megfelelően.

A feljutási útvonalon vagy mellette végzett munkáknál, valamint a szokásos fel- és leereszkedési mozgásoktól eltérő munkák és tevékenységek során a mászóknak az EN 354 szabványnak megfelelő kötéllel vagy az EN 358:2018-11 szabványnak vagy az ANSI/ASSP Z 359.4:2013-00 szabványnak megfelelő munkapozíciós kötéllel kell biztosítani magát. Ez a zuhanásgátló létrán való pihenés közbeni üresjáratú helyzetekre is vonatkozik. Csak megfelelő rögzítő eszközöket szabad használni. Mindezekben a helyzetekben a kötélet feszességét tartani a zuhanás megakadályozása érdekében.



Fontos!

A Söll VC500 sorozatú zuhanásgátlót csak olyan rendszerekkel szabad használni, amelyeknek a dőlésszöge max. 15° a függőlegeshez képest minden irányban.



Fontos!

Az EN 353-1+A1:2017-12, a CSA Z259.2.5-17, az ANSI A14.3-2008, az ANSI Z359.16-2016, és az NBR 14627 szabványnak megfelelő zuhanásgátlót csak olyan személyek használhatják, akik:

- képzett vagy más módon felhatalmazott
- személy által közvetlenül felügyelt személyek.

5.2 A RENDSZERHEZ VALÓ CSATLAKOZÁS:

- A kialakítás lehetővé teszi a rögzítést a Söll Vi-Go rendszer részét képező **8 mm-es (5/16 hüvelyk)** vagy **10 mm-es (3/8 hüvelyk)** horganyzott vagy rozsdamentes acél kábelelkezhez.
- A zuhanásgátló rendelkezik egy mechanizmussal, amely segít megakadályozni, hogy a zuhanásgátlót helytelenül rögzítsék a kábelhez.

5.3 A ZUHANÁSGÁTLÓ A TELJES TESTHEVEDERHEZ VALÓ CSATLAKOZTATÁSA:

- Húzza le a karabiner recézett perselyét.
- Ezután fordítsa el a recézett perselyt, és nyomja befelé.
- Csatlakoztassa közvetlenül a teljes testheveder szegycsonti csatlakozásához.
- Engedje el a recézett perselyt, az automatikusan reteszlődik.



Veszély!

A rögzítetlen karabiner (nyitott recézett persely) életveszélyes.

A teljes testheveder hasi vagy mellkasi pántjának szorosan kell illeszkednie a testhez (4. ábra).



Veszély!

A zuhanásgátló karabinerét közvetlenül a teljes testheveder szegycsonti rögzítési pontjába kell behelyezni (5., 6., 7. ábra).

5.4 A VEZETŐKÁBELBE VALÓ BEHELYEZÉS

VC510

- Tartsa a leesésgátlót úgy, hogy a burkolaton lévő nyíl felfelé mutasson.
- Emelje fel a karabinert a fékkarral felfelé (8a. ábra).
- Húzza el a reteszelőgombot a zuhanásgátlótól, majd csúsztassa el a kábeltől (8b. ábra).
- A zuhanásgátló burkolatán most már nyitott résen keresztül helyezze a zuhanásgátlót a kábelre úgy, hogy a burkolaton lévő nyíl felfelé mutasson (8c. ábra).
- Engedje ki a fékkart és a reteszelőgombot.
- A Söll VC510 most már csatlakoztatva van a vezetőkábelhez.
- Ellenőrizze, hogy a zuhanásgátló szabadon csúszik-e függőlegesen a vezetőkábelben.
- A fékkar mozgásával ellenőrizze a reteszelő- és zárószervezet működését.

VC570

- Tartsa a leesésgátlót úgy, hogy a burkolaton lévő nyíl felfelé mutasson.
- Emelje fel a karabinert a fékkarral felfelé (9a. ábra).
- Nyomja a felső gombot lefelé, a zuhanásgátló testébe (9b. ábra, 1. pozíció).
- Nyomja be a kioldószervezetet a zuhanásgátló testébe (9b. ábra, 2. pozíció).
- A zuhanásgátló burkolatán most már nyitott résen keresztül helyezze a zuhanásgátlót a kábelre úgy, hogy a burkolaton lévő nyíl felfelé mutasson (9c. ábra).
- Engedje ki a fékkart, a gombot és a kioldószervezetet.
- A Söll VC570 most már csatlakoztatva van a vezetőkábelhez.
- Ellenőrizze, hogy a zuhanásgátló szabadon csúszik-e függőlegesen a vezetőkábelben.
- A fékkar mozgásával ellenőrizze a reteszelő- és zárószervezet működését.

5.5 A ZUHANÁSGÁTLÓ ELTÁVOLÍTÁSA A VEZETŐKÁBELRŐL



Figyelem!

Mielőtt a zuhanásgátlót eltávolítaná a függőleges kábelről vagy leválasztaná a hevederről, a felhasználókat biztosítani kell, és máskülönbön magasból történő zuhanás ellen védeni kell!

VC510

- Emelje fel a karabinert a fékkarral felfelé.
- Húzza el a reteszelőgombot a zuhanásgátlóról, majd csúsztassa el a kábeltől.
- A zuhanásgátló burkolatán most már nyitott résen keresztül távolítsa el a zuhanásgátlót.
- Engedje ki a fékkart és a reteszelőgombot.

VC570

- Emelje fel a karabinert a fékkarral felfelé.
- Nyomja a felső gombot lefelé, a zuhanásgátló testébe.
- Nyomja be a kioldószervezetet a zuhanásgátló testébe.
- A zuhanásgátló burkolatán most már nyitott résen keresztül távolítsa el a zuhanásgátlót.
- Engedje ki a fékkart, a gombot és a kioldószervezetet.

6 ELLENŐRZÉS

A felhasználók biztonsága a felszerelés folyamatos hatékonyságától és tartósságától függ. A helyi jogszabályoktól, a használat gyakoriságától és a környezeti feltételektől függően a zuhanásgátlókat rendszeresen, de legalább 12 havonta az ANSI Z359 / EN 365 szabványnak megfelelő illetékes személynek kell ellenőriznie. Az időszakos ellenőrzéseket csak hozzáértő személy végezheti, szigorúan a gyártó időszakos ellenőrzési eljárásainak megfelelően.

Minden használat előtt és az időszakos ellenőrzés során a zuhanásgátlót szemrevételezéssel meg kell vizsgálni, hogy a következőkről meggyőződjünk:

- A reteszelő mechanizmus és a zuhanásgátló burkolata közötti rés nem lehet nagyobb, mint 5 mm / 0,118 hüvelyk (10. ábra).
- Az elnyelőhurok közötti résnek 2 mm-nél / 0,08 hüvelyknél kisebbnek kell lennie (11. ábra).
- Nincsenek kopásnak, sérülésnek vagy egyéb károsodásnak nyomai.
- A termékcímkék/jelzések olvashatóak.

Ha a fenti követelmények nem teljesülnek, a zuhanásgátlót ki kell vonni a forgalomból, és ki kell cserélni vagy meg kell javítani. A javítást csak a gyártó végezheti el.



Figyelem!

Azt a zuhanásgátlót, amely megakadályozta a felhasználó magasból való zuhanását, ki kell vonni a forgalomból.

7 KARBANTARTÁS

TISZTÍTÁS

Vízzel tisztítsa. Semmilyen körülmények között ne használjon oldószereket vagy savas/alkáli tartalmú tisztítószereket. Hagyja természetes módon száradni, jól szellőző helyen, távol minden nyílt tűztől vagy más hőforrástól.

ÉLETTARTAM

A személyes védőfelszerelés megfelelő ápolása hozzájárul a termék hosszú élettartamához és az Ön biztonságához.

A zuhanásgátló élethossza a használat gyakoriságától és az üzemeltetési körülményektől függ. A felhatalmazott személy vagy szerv által végzett éves ellenőrzések során a zuhanásgátlót csak akkor adják ki további használatra, ha a termék és alkatrészei jó állapotban vannak.

SZÁLLÍTÁS ÉS TÁROLÁS

A szállítás és tárolás során ügyeljen arra, hogy a személyes védőfelszerelését hőforrásoktól, nedvességtől, korróziós légkörtől, ultraibolya sugárzástól stb. távol helyezze el, és kerülje az ütődéseket vagy a túlzott vibrációt.

8 TÉTELKEZELÉS

A VC510 és VC570 egyedi sorozatszámmal van ellátva a külső test oldalán (lásd Terméklejölés, „N” pont).

RFID

A VC570 tartalmaz egy RFID (rádiófrekvenciás azonosító) címkét, amely egyedi azonosítószámot tartalmaz, és az ISO 18000-63 szabványnak megfelelő eszközkövetésre használható. Az RFID lehetővé teszi a gyors helyszíni ellenőrzést, és olyan információkat ad meg, mint a modellszám, a gyártás dátuma, az ellenőrzési/tételszám és a teljesített szabványok. Az olvasó és az RFID-címke típusán kívül az optimális RFID-olvasási távolság az olvasótól, a címke tájolásától és az anyagtól függően változik.

Az RFID-címkét a zuhanásgátló műanyag burkolata alatt helyezik el - lásd a terméklejölést.



MŰSZAKI ADATOK

- Frekvencia globális: 840 - 940 MHz
- Memória EPC 128 bites, TID: 96 bit
- Az adatok megőrzése: 20 év

FIGYELMEZTETÉSEK

Miután megtisztította személyes védőfelszerelését, kérjük, olvassa be az RFID-címkét, hogy ellenőrizze, az nem sérült-e meg.

9 KÖRNYEZETVÉDELEM



A WEEE szimbólum azt jelzi, hogy ez a termék nem kezelhető háztartási hulladékként.

A környezet védelme érdekében kérjük gondoskodjon a termék megfelelő ártalmatlanításáról. A termék újrahasznosításával kapcsolatos részletesebb információkért kérjük, vegye fel a kapcsolatot a helyi hatósággal, a háztartásihulladék-kezelő szolgálattal vagy a kereskedővel, akinél a terméket vásárolta.

Söll VC500 - Fallvörn með leiðsögn fyrir Söll Vi-Go/Antec CABMAX lóðrétt fallvarnarkerfið

1 ALMENNAR UPPLÝSINGAR

STAÐLAÐAR TILVÍSANIR

Þessi vara tekur á eftirfarandi lista yfir staðla og tilskipanir. Það er á ábyrgð notanda að fara eftir viðeigandi stöðlum sem fjallað er um í þessari handbók.

Viðmiðunarhópar staðla/tilskipana hér að neðan eiga við í samræmi við markaðinn t.d. ef varan er notuð í Evrópusambandinu (ESB) verður notandinn að vera í samræmi við ESB staðla/tilskipanir og allir aðrir staðlar sem nefndir eru í notendahandbókinni eiga ekki við.

Í þessu skjali er stíf akkerisliða einnig kölluð „kapall“ eða „leiðarkapall“.

EVROPSKIR STAÐLAR

EN 353-1+A1:2017-12 - Persónulegur fallvarnarbúnaður - Fallvarnir með leiðsögn, þar á meðal akkerislinu - 1. hluti: Fallvarnir með leiðsögn þar á meðal stífri akkerislinu
CNB/P/11.119 - PPE reglugerð (ESB) 2016/425

BANDARÍSKIR STAÐLAR OG REGLUGERÐIR

ANSI-ASC A14.3-2008 - Stigar-Festir-Öryggiskröfur

ANSI/ASSE Z359.16-2016 - Öryggiskröfur fyrir fallvarnarkerfi fyrir klifurstiga OSHA 1910.29 & 1926.502

KANADÍSKIR STAÐLAR

CSA Z259.2.5-17 - Fallvarnir og lóðréttar líflínur

BRASILSKIR STAÐLAR

NBR 14627 - Equipamento de proteção individual contra queda de altura - Travaquada guiado em linha rígida

2 KERFI

Hægt er að nota Söll VC500 línu fallvarna með Söll Vi-Go/Antec CABMAX lóðréttu fallvarnarkerfi (hér eftir kallað „fallvarnarkerfið“) og uppfylla staðalinn sem tilgreindur er í eftirfarandi töflu:

		Söll Vi-Go kerfi			ANTEC Cabmax
		án toppdempara	með toppdempara FPH_30176	með toppdeyfum af gerðinni TRTB/	
Fallvörn	Söll VC510	<ul style="list-style-type: none"> • ANSI A14.3-2018 • OSHA 1910.29 & 1926.502 • EN 353-1+A1:2017-12 • UKCA 	<ul style="list-style-type: none"> • ANSI A14.3-2018* • OSHA 1910.29 & 1926.502* 	<ul style="list-style-type: none"> • ANSI A14.3-2018 • OSHA 1910.29 & 1926.502 	<ul style="list-style-type: none"> • EN 353-1+A1:2017-12
	Söll VC570	<ul style="list-style-type: none"> • ANSI Z359.16-2016 • OSHA 1910.29 & 1926.502 • CSA Z259.2.5-17 • EN 353-1+A1:2017-12 • UKCA 	<ul style="list-style-type: none"> • ANSI Z359.16-2016* • OSHA 1910.29 & 1926.502* 	<ul style="list-style-type: none"> • ANSI Z359.16-2016 • OSHA 1910.29 & 1926.502 • CSA Z259.2.5-17 	X

*Aðeins með 10 mm (3/8 tommu) snúrum og íhlutum úr ryðfriú stáli.

Hægt er að nota allar Söll VC500 línur fallvarna með lóðréttum fallvarnarkerfum með sjálfvirkum eða handvirkum gegnumgangsfestingum, með 8 mm (5/16") eða 10 mm (3/8") köplum. Fyrir frekari upplýsingar sjá Söll Vi-Go uppsetningarleiðbeiningar.

3 VARÚÐARRÁÐSTAFANIR

Allir sem vinna með eða við fallvarnarkerfið verða að kynna sér þessar leiðbeiningar áður en kerfið er notað. Fallvarnarbúnaðinn ætti ekki að nota utan takmarkana hans, eða í öðrum tilgangi en þeim sem hann er ætlaður til. Notkun sem er ekki í samræmi við þessar leiðbeiningar felur í sér hættu fyrir mannlíf. Rekstraraðilar verða að fá þjálfun varðandi þessar leiðbeiningar og notendaupplýsingar áður en störf hefjast og aftur að minnsta kosti einu sinni á ári. Gakktu úr skugga um að öryggisvirki einhvers ihluta verði ekki fyrir áhrifum af öryggisvirki annars og að þeir trúfli ekki hver annan. Ef varan er seld utan fyrsta ákvörðunarlaugs verður söluaðili að tryggja að varan sé í samræmi við lög sem gilda í því landi og veita leiðbeiningar um vörna á viðeigandi tungumáli.

Stjórnandi fallvarnarkerfisins sem og notandi fallvarnarbúnaðar verða að tryggja að þessi handbók sé alltaf rétt geymd og aðgengileg til ráðgjafar á hverjum tíma.

Fara skal eftir landsreglugerðum um slysavarnir og notkun öryggisbúnaðar við byggingarvinnu.

Fallvörnin með leiðsögn er óaðskiljanlegur hluti af fallvarnarkerfinu í samræmi við EN 353-1:2014+A1:2017, CSA Z259.2.5-17, ANSI A14.3-2008 og ANSI Z359.16-2016, og er hönnuð til notkunar sem persónulegur öryggisbúnaður. Til að hjálpa til við að tryggja rétta notkun fallvarnarkerfisins verður stjórnandinn að tryggja að heildar líkamsbelti og fallvörn séu notuð í samræmi við þessar leiðbeiningar. Eftir notkun má ekki skilja fallvörnina eftir tengda við örugga klifurkerfið. Fallvörnina má aðeins nota í upprunalega fallvarnarkerfinu. Belti fyrir allan líkamann er eini ásættanlegi líkamshaldbúnaðurinn sem hægt er að nota í fallvarnarkerfi. Aðeins má nota örugga klifurkerfið í tengslum við belt fyrir allan líkamann sem hafa verið yfirfarin og samþykkt í samræmi við EN 361:2002-05, NBR 15836, CSA Z259.2.5-17 eða ANSI Z359.16-2016 og eru búin með festingarpunkti að framan.

Til að ná tengingu á milli fallvarnarbúnaðar og beltis fyrir allan líkamann skal tengja karabinukrók fallvarnar við löggiltan festingarhringinn merktan „A“ (á aðeins við í samræmi við EN 361:2002-05) á bringuhluta beltis fyrir allan líkamann. Ekki má lágmarka eða stækka fjarlægðina milli fallvarnarinnar og beltis fyrir allan líkamann (t.d. með því að bæta við eða fjarlægja tengil).

Lengd karabínú má ekki lengja eða stytta.

Að hámarki fjórir notendur mega vera tengdir við kerfið á sama tíma (þar á meðal notendur sem eru tengdir við akkerisþrúttinn, þegar framlenging pallins er í notkun). Aðeins einn aðili í einu ætti að nota að nota sama hluta af lóðréttum kapli á milli millifestinga fyrir kapalleiðara, nema ef um björgunaraðgerðir er að ræða. Hver notandi verður að vera festur við sérstaka fallvörn. Fallvörnin með leiðara er **aðeins ætluð einum einstaklingi**. Fjarlægðin milli notanda **má ekki vera minni en 3 m / 10 fet** (mynd 1). Raunverulegur fjöldi notenda fer eftir burðargetu grunnbyggingarinnar.

Lágmarksbyrði notanda að fótum og búnaði undanskildum er **50 kg / 110 lb**. Hámarksbyrði notanda að fótum og búnaði meðtöldum er **140 kg / 310 lb** og má ekki fara yfir það.

Fallvörn með leiðara skal ekki nota við vinnustaðsetningu. Ef þörf er á vinnustaðsetningu skal nota vinnustaðsetningarbúnað.

Ekki skal snerta fallvörnina meðan á hækun/lækkun stendur til að tryggja öryggi.

Ekki má nota festipunkta fyrir kapal fallvarnarkerfisins til að festa byrði.

Áður en og meðan á notkun á uppsettu fallvarnarkerfi stendur verður að skoða kerfið sjónrænt til að tryggja að það virki rétt.

Vinnuhitastig er **-40 °C til +70 °C / -40 °F til 158 °F**; tryggt að kerfið sé laust við fitu, olíu og ís. Stjórnandinn verður að hafa samráð við lækninn sinn varðandi heilsu og má ekki vera undir áhrifum áfengis, eiturlyfja eða lyfja sem gætu haft áhrif á örugga notkun vörunnar.



Mikilvægt!

Ekki er vist að notandinn sé nægilega varinn gegn höggi við jörðina eða hindranir ef hann er í minni hæð en 3 m / 10 ft. Áður en öruggt klifurkerfið er notað skal ganga úr skugga um að tilskilið laust pláss sé undir fótum notandans.



Viðvörn

Áður en þessi fallvörn er notuð verður notandinn að lesa og skilja þessa leiðbeiningarhandbók og allar viðbótarleiðbeiningar sem veittar eru við þjálfun eða gefnar með fallvarnarbúnaðinum eða fallvarnarkerfinu.



Viðvörn

Allar breytingar eða viðbætur á Söll VC500-línu fallvarnar án skriflegs samþykkis framleiðanda geta komið í veg fyrir að fallvörnin virki rétt og eru því bönnuð.

GEYMIÐ ÞESSA HANDBÓK TIL FRAMTÍÐAR NOTKUNAR - EKKI HENDA HENNI!

4 AKKERISBÚNAÐURI FRAMLENGINGAR PALLS

Honeywell Söll Vi-Go framlenging pallar er löggiltur akkeripunktur fyrir fallvörn fyrir:

- **tvo einstaklinga** í samræmi við EN 795:2012 og CEN/TS 16415:2013
- **einn einstakling** í samræmi við ANSI Z359.18.

Auga akkerisstálplötunnar (Mynd 2, Staðsetn. 1) þjónar sem akkerispunktur.

Þess vegna er hægt að vernda notandann frá falli á meðan hann skiptir frá lóðrétti yfir í lárétta framvindu. Forðast skal staði sem hægt er að hrasa um í inngangi og vinnusvæði.



Viðvörðun!

Ekki má nota akkerisbúnaðinn ef akkerisaugað hefur orðið fyrir álagi vegna falls. Í þessu tilviki þarf viðurkenndur aðili að athuga akkerisbúnaðinn og skipta út ef nauðsyn krefur.

Akkerisbúnað framlengingar pallsins má aðeins nota í saman með eftirfarandi öryggisbúnaði:

- persónulegu fallvarnarkerfi í samræmi við EN 363 eða ANSI/ASSP Z359.1:2020-00
- orkugleypum í samræmi við EN 355 eða ANSI/ASSP Z359.13:2013-00
- þjörgunarkerfum í samræmi við EN 1496 eða ANSI/ASSP Z359.4:2013-00, EN 1479, EN 1498 og ANSI/ASSP Z359.4:2013-00

Valið skal kerfi persónuhlifa gegn falli (aðeins með orkugleypi) eða þjörgunarkerfi þannig að forðast megi áreksstur notanda við jörðu eða áreksstur við aðrar hindranir. Fylgdu notendaleiðbeiningum framleiðanda.

Til að tryggja gegn falli verður karabinukrókurinn (Mynd 3, Staðsetn. 2) á tengibúnaði að vera settur á auga akkerisstálplötunnar (Mynd. 3, Staðsetn. 1) og læstur til að koma í veg fyrir óviliandi aftengingu.



Hætta!

Ekki má aftengja karabinukrök tengibúnaðarins frá akkerisbúnaðinum áður en notandinn er varinn gegn falli með annarri lausn.

5 NOTKUN



Mikilvægt!

5.1 KÖNNUN FYRIR KLIFUR:

- Fyrir hverja notkun skal skoða kapalinn, kapalspennuna, fallvörnina og karabinurnar með tilliti til notagildis.
- Fallvarnarkerfið má ekki nota ef gallar hafa komið fram eða ef vafi leikur á um rétta virkni þess. Fyrir frekari notkun þarf skoðun viðurkennds aðila og skipta um gallaða íhluti.
- Þjörgunaráætlun þarf að liggja fyrir áður en fallvarnarkerfið er notað.



Viðvörðun

Ef beltíð losnar við upp- eða niðurgöngu skaltu ná öruggri stöðu og stilla það rétt.

Þegar unnið er í eða við hliðina á uppgönguleiðinni og við störf og aðgerðir sem eru ekki hluti af venjulegum upp- og niðurhreyfingum, skal klífarinn að auki festa sig með bandi í samræmi við EN 354 eða vinnustaðsetningarbandi í samræmi við EN 358:2018-11 eða ANSI/ASSP Z 359.4:2013-00. Þetta á einnig við um aðgerðalauser stöður meðan þú hvílir á fallvarnastiganum. Aðeins skal nota víðeigandi akkeribúnað. Í öllum þessum aðstæðum verður að halda bandinu strekktu til að koma í veg fyrir fall.



Mikilvægt!

Söll VC500 línu fallvarna má aðeins nota með kerfum með halla upp á hámark 15° frá lóðréttu í allar áttir.



Mikilvægt!

Fallvörnir samkvæmt EN 353-1+A1:2017-12, CSA Z259.2.5-17, ANSI A14.3-2008, ANSI Z359.16-2016 og NBR 14627 skal einungis notuð af einstaklingum sem:

- hafa hlotið þjálfun eða hafa á annan hátt leyfi
- eru undir beinu eftirliti þjálfads eða viðurkenndra aðila.

5.2 TENGING VIÐ KERFIÐ:

- Hönnunin gerir festingu mögulega á **8 mm (5/16 tommu)** eða **10 mm (3/8 tommu)** galvaniseruðum eða ryðfríum stálköplum sem eru hluti af Söll Vi-Go kerfinu.
- Fallvörnir er með vélbúnaði sem kemur í veg fyrir að fallvörnir sé ranglega fest við kapalinn.

5.3 AÐ TENGJA FALLVÖRNINA VIÐ BELTI FYRIR ALLAN LÍKAMANN:

- Togaðu niður gárötta skruvhólkninn á karabinunni.
- Snúðu síðan gárötta skruvhólkninum og ýttu honum inn á við.
- Festu hana beint við bringutengingu á belti fyrir allan líkamann.
- Slepptu gárötta skruvhólkninum, hann læsist sjálfkrafa.

**Hætta!**

Ótryggð karabína (gáróttur skrufhólkur opin) er hættulegur mannslífum.

Kvið- eða brjóstbandið á belti fyrir allan líkamann verður að passa þétt við líkamann (Mynd 4).

**Hætta!**

Karabína fallvarnarinnar verður að vera sett beint í brjóstfestingarpunkturinn á belti fyrir allan líkamann (Mynd 5, 6, 7).

5. 4 ÍSETNING LEIÐARKAPALS**VC510**

- Haltu fallvörninni þannig að örin á hlifinni vísí upp.
- Lyftu karabinunni með hemlastöngina upp (Mynd 8a).
- Togaðu læsihnappinn frá fallvörninni og renndu honum síðan frá kaplinum (Mynd 8b).
- Í gegnum nú opna bilið í hlifinni á fallvörninni, settu fallvörnina á kapalinn þannig að örin á hlifinni vísí upp (Mynd 8c).
- Slepptu hemlastönginni og læsihnappinum.
- Söll VC510 er nú tengt við leiðarkapalinn.
- Athugaðu hvort fallvörnin geti runnið frjállega lóðrétt á leiðarkaplinum.
- Athugaðu virkni læsingar- og handfangsbúnaðarins með því að hreyfa hemlastöngina.

VC570

- Haltu fallvörninni þannig að örin á hlifinni vísí upp.
- Lyftu karabinunni með hemlastöngina upp (Mynd 9a).
- Yttu efsta takkanum niður, inn í hús fallvarnarinnar (Mynd 9b, Staðsetn. 1).
- Þrýstu gikknum inn í hús fallvarnarinnar (Mynd 9b, Staðsetn. 2).
- Í gegnum opna bilið í hlifinni á fallvörninni, settu fallvörnina á kapalinn þannig að örin á hlifinni vísí upp (Mynd 9c).
- Slepptu helmastönginni, takkanum og gikknum.
- Söll VC570 er nú tengt við leiðarkapalinn.
- Athugaðu hvort fallvörnin geti runnið frjállega lóðrétt á leiðarkaplinum.
- Athugaðu virkni læsingar- og handfangsbúnaðarins með því að hreyfa hemlastöngina.

5. 5 FJARLÆGJA FALLVÖRNINA AF LEIÐARKAPLINUM**Viðvörðun!**

Áður en fallvörnin er tekin af lóðréttu kaplinum eða losuð frá beisli verða notendur að vera tryggðir og verndaðir gegn falli úr hæð á annan hátt!

VC510

- Lyftu karabinunni með hemlastöngina upp.
- Togaðu læsihnappinn frá fallvörninni og renndu honum síðan frá kaplinum.
- Fjarlægðu fallvörnina í gegnum opið bil í hlifinni á fallvörninni.
- Slepptu hemlastönginni og læsihnappinum.

VC570

- Lyftu karabinunni með hemlastöngina upp.
- Yttu efsta takkanum niður, inn í hús fallvarnarinnar.
- Þrýstu gikknum inn í hús fallvarnarinnar.
- Fjarlægðu fallvörnina í gegnum opið bil í hlifinni á fallvörninni.
- Slepptu helmastönginni, takkanum og gikknum.

6 SKOÐUN

Öryggi notanda veltur á áframhaldandi skilvirkni og endingu búnaðarins. Það fer eftir staðbundinni löggjöf, notkunartíðni og umhverfisáðstæðum, fallvörnin verður að vera skoðuð af þar til bærum aðila reglulega og að minnsta kosti á 12 mánaða fresti samkvæmt ANSI Z359 / EN 365. Reglubundnar skoðanir eiga aðeins að vera framkvæmdar af þar til bærum aðila og nákvæmlega í samræmi við reglubundna skoðun framleiðanda.

Fyrir hverja notkun og við reglubundna skoðun verður að skoða fallvörðina sjónrænt til að tryggja að:

- Bilið á milli læsingarbúnaðar og fallvarnarhlífar má ekki vera meira en 5 mm / 0,118 tommur (Mynd 10).
- Bilið á milli gleypilykkjana verður að vera minna en 2 mm / 0,08 tommur (Mynd 11).
- Engin merki séu um slit, skemmdir eða aðra hnignun.
- Merkimíðar/merkingar vörunnar eru læsilegar.

Ef ofangreindar kröfur eru ekki uppfylltar þarf að taka fallvörðina úr notkun og skipta um hana eða gera við hana. Viðgerðir geta aðeins verið framkvæmdar af framleiðanda.



Viðvörðun!

Fallvörðinn sem hefur stöðvað fall notanda úr hæð skal taka úr notkun.

7 VIÐHALD

PRIF

Prifið með vatni. Ekki nota nein leysiefni eða hreinsiefni sem innihalda síru/basa undir neinum kringumstæðum. Láttu þorna á náttúrlegan hátt á vel loftræstu svæði fjarri opnum eldi eða öðrum hitagjöfum.

ENDINGARTÍMI

Rétt umhirda persónuhlífarinnar mun hjálpa til við að tryggja betri endingu vöru og öryggi þitt.

Endingartími fallvarnarinnar fer eftir notkunartíðni og notkunarskilyrðum. Við árlegar skoðanir sem framkvæmdar eru af viðurkenndum einstaklingi eða aðila verður fallvörðinn aðeins leyfð til frekari notkunar ef varan og ihlutir hennar eru í góðu ástandi.

FLUTNINGUR OG GEYMSLA

Á meðan á flutningi og geymslu stendur skaltu ganga úr skugga um að persónuhlífin þín sé fjarri hitagjöfum, raka, ætandi andrúmslófti, útfjölbúám geislum o.s.frv. og forðastu hvers kyns högg eða of mikinn titing.

8 STJÓRNUN HLUTAR

VC510 og VC570 hafa einstök raðnúmer á hlið ytri húss (sjá vörumerkingar, lið "N").

RFID

VC570 inniheldur RFID (Radio Frequency Identification) merki sem inniheldur einstakt auðkennisnúmer sem hægt er að nota til að rekja eignir samkvæmt ISO 18000-63. RFID gerir ráð fyrir skjótum vettvangsskoðunum og tilgreinir upplýsingar þar á meðal tegundarnúmer, framleiðsludag, skoðun/lotu-númer og uppfyllta staðla. Til viðbótar við gerð lesara og RFID-merkis, er ákjósanleg RFID-lestrarfjarlægð breytileg eftir lesara, stefnu merkis og efni.

RFID merkinu er komið fyrir undir plasthlíf fallvarnarinnar - sjá vörumerkingar.



TÆKNILÝSING

- Algild tíðni: 840 ~ 940 MHz
- Minni: EPC 128 bita, TID: 96 bita
- Varðveisla gagna: 20 ár

RÁÐLEGGINGAR

Eftir að hafa þrifið persónuhlífina, vinsamlegast skannaðu RFID merkið þitt til að staðfesta að það hafi ekki skemmt.

9 UMHVERFISVERND



WEEE táknid gefur til kynna að ekki má meðhöndla þessa vöru sem heimilissorp.

Til að vernda umhverfið skaltu ganga úr skugga um að vörðinni sé fargað á réttan hátt. Fyrir ítarlegri upplýsingar um endurvinnslu þessarar vöru, vinsamlegast hafðu samband við sveitarfélag, þjónustuaðila sem veitir förgun heimilis-/iðnaðarsorps eða sölustað vörunnar.

Söll VC500 - Dispositivo anticaduta di tipo guidato per sistema anticaduta verticale Söll Vi-Go/Antec CABMAX

1 INFORMAZIONI GENERALI

RIFERIMENTI NORMATIVI

Il presente prodotto risponde al seguente elenco di norme e direttive. È responsabilità dell'utente rispettare le norme pertinenti trattate nel presente manuale.

I gruppi di riferimento di norme/direttive riportati di seguito si applicano in base alla regione di destinazione; ad esempio, se il prodotto viene utilizzato nell'Unione Europea (UE), l'utente deve essere conforme alle norme/direttive dell'UE, e tutte le altre norme citate nel manuale d'uso non sono pertinenti.

Nel presente documento, una linea di ancoraggio rigida viene anche chiamata "cavo" o "cavo guida".

NORME EUROPEE

EN 353-1+A1:2017-12 - Dispositivi di protezione individuale contro le cadute - Dispositivi anticaduta di tipo guidato comprendenti una linea di ancoraggio - Parte 1: Dispositivi anticaduta di tipo guidato comprendenti una linea di ancoraggio rigida

CNB/P/11.119 - Regolamento DPI (UE) 2016/425

NORME E REGOLAMENTI AMERICANI

ANSI-ASC A14.3-2008 - Ladders - Fixed - Safety Requirements

ANSI/ASSE Z359.16-2016 - Safety Requirements for Climbing Ladder Fall Arrest Systems OSHA 1910.29 & 1926.502

NORME CANADESI

CSA Z259.2.5-17 - Fall Arresters and vertical lifelines

NORME BRASILIANE

NBR 14627 - Equipamento de proteção individual contra queda de altura - Travaquada guiado em linha rígida

2 IL SISTEMA

I dispositivi anticaduta della serie Söll VC500 possono essere utilizzati con un sistema anticaduta verticale Söll Vi-Go/Antec CABMAX (di seguito denominato "sistema anticaduta") e soddisfano le norme riportate nella tabella seguente:

		Sistema Söll Vi-Go			ANTEC Cabmax
		senza ammortizzatore superiore	con ammortizzatore superiore FPH_30176	con ammortizzatore superiore tipo TRTB/	
Dispositivo anticaduta	Söll VC510	<ul style="list-style-type: none"> • ANSI A14.3-2018 • OSHA 1910.29 & 1926.502 • EN 353-1+A1:2017-12 • UKCA 	<ul style="list-style-type: none"> • ANSI A14.3-2018* • OSHA 1910.29 & 1926.502* 	<ul style="list-style-type: none"> • ANSI A14.3-2018 • OSHA 1910.29 & 1926.502 	<ul style="list-style-type: none"> • EN 353-1+A1:2017-12
	Söll VC570	<ul style="list-style-type: none"> • ANSI Z359.16-2016 • OSHA 1910.29 & 1926.502 • CSA Z259.2.5-17 • EN 353-1+A1:2017-12 • UKCA 	<ul style="list-style-type: none"> • ANSI Z359.16-2016* • OSHA 1910.29 & 1926.502* 	<ul style="list-style-type: none"> • ANSI Z359.16-2016 • OSHA 1910.29 & 1926.502 • CSA Z259.2.5-17 	X

*Solo con cavi e componenti in acciaio inossidabile da 10 mm (3/8 pollici).

Tutti i dispositivi anticaduta della serie Söll VC500 possono essere utilizzati con sistemi anticaduta verticali con staffe intermedie automatiche o manuali, con cavi da **8 mm (5/16")** o **10 mm (3/8")**. Per ulteriori informazioni, consultare la guida all'installazione del sistema Söll Vi-Go.

3 PRECAUZIONI DI SICUREZZA

Chiunque lavori con il sistema anticaduta o su di esso deve conoscere queste istruzioni prima di utilizzare il sistema. Non utilizzare l'attrezzatura anticaduta al di fuori delle relative limitazioni o per scopi diversi da quelli per cui è stata progettata. Un utilizzo non conforme alle presenti istruzioni costituisce un rischio per la vita umana. Prima di iniziare il lavoro, e almeno una volta all'anno, gli operatori devono ricevere una formazione sulle presenti istruzioni e sulle informazioni per l'utente. Assicurarsi che la funzione di sicurezza di uno qualsiasi dei componenti non sia influenzata dalla funzione di sicurezza di un altro e che non interferiscano tra loro. Se il prodotto viene venduto al di fuori del primo Paese di destinazione, il rivenditore deve assicurarsi che il prodotto sia conforme alle leggi applicabili in quel Paese e fornire le relative istruzioni d'uso nella lingua di interesse.

L'operatore del sistema anticaduta e l'utilizzatore del dispositivo anticaduta devono assicurarsi che il presente manuale sia sempre adeguatamente conservato e disponibile per la consultazione in qualsiasi momento.

È necessario rispettare le norme nazionali sulla prevenzione degli infortuni e sull'uso dei dispositivi di sicurezza per le opere edili.

Il dispositivo anticaduta di tipo guidato è parte integrante del sistema anticaduta conforme alle norme EN 353-1:2014+A1:2017, CSA Z259.2.5-17, ANSI A14.3-2008 e ANSI Z359.16-2016 ed è progettato per essere utilizzato come dispositivo di sicurezza personale. Per garantire un uso corretto del sistema anticaduta, l'operatore deve assicurarsi che l'imbracatura integrale e il dispositivo anticaduta siano utilizzati secondo le presenti istruzioni. Dopo l'uso, il dispositivo anticaduta non deve essere lasciato collegato al sistema di salita sicura. Il dispositivo anticaduta deve essere utilizzato solo nel sistema anticaduta originale. L'imbracatura completa è l'unico dispositivo di trattenuta del corpo accettabile che può essere utilizzato in un sistema anticaduta. Il sistema di salita sicura deve essere utilizzato solo in combinazione con imbracature integrali controllate e approvate, in conformità alle norme EN 361:2002-05, NBR 15836, CSA Z259.2.5-17 o ANSI Z359.16-2016 e dotate di un punto di attacco anteriore.

Per ottenere il collegamento tra il dispositivo anticaduta e l'imbracatura integrale, collegare il moschettoni del dispositivo anticaduta all'anello di ancoraggio omologato contrassegnato con "A" (applicabile solo se conforme alla norma EN 361:2002-05) nella parte sternale dell'imbracatura integrale. La distanza tra il dispositivo anticaduta e l'imbracatura completa non deve essere ridotta o aumentata (ad esempio aggiungendo o rimuovendo un connettore).

La lunghezza del moschettoni non deve essere estesa o ridotta.

Al sistema possono essere agganciati al **massimo 4 utenti** contemporaneamente (compresi gli utenti agganciati al punto di ancoraggio, quando si utilizza l'estensione della piattaforma). Ad eccezione del caso di operazioni di salvataggio, solo una persona alla volta deve utilizzare lo stesso segmento di cavo verticale tra i supporti per passaggio per le guide del cavo. Ogni utente deve essere collegato a dispositivo anticaduta distinto. Il dispositivo anticaduta di tipo guidato è destinato all'uso di **una sola persona**. La distanza tra gli utenti **non deve essere inferiore a 3 m** (Fig. 1). Il numero effettivo di utenti dipende dalla capacità di carico della struttura di base.

Il carico minimo dell'utente, esclusi gli indumenti e l'attrezzatura, è di **50 kg**. Il carico massimo dell'utente, inclusi gli indumenti e l'attrezzatura, è di **140 kg** e non deve essere superato.

Il dispositivo anticaduta di tipo guidato non deve essere utilizzato per il posizionamento sul lavoro. Se è necessario il posizionamento sul lavoro, utilizzare un'attrezzatura di posizionamento.

Il dispositivo anticaduta non deve essere toccato durante la salita/discesa per garantire la sicurezza.

I punti di fissaggio del cavo del sistema anticaduta non devono essere utilizzati per fissare i carichi.

Prima e durante l'uso del sistema anticaduta installato, il sistema deve essere ispezionato visivamente per assicurarne il corretto funzionamento.

La temperatura di esercizio è compresa tra **-40 °C e +70 °C / -40 °F e 158 °F**; assicurarsi che il sistema sia privo di grasso, olio e ghiaccio. L'operatore deve consultare il proprio medico e non deve essere sotto l'effetto di alcol, droghe o farmaci che potrebbero compromettere l'uso sicuro del prodotto.



Importante!

L'utente potrebbe non essere sufficientemente protetto dall'impatto con il suolo o con gli ostacoli se si trova a un'altezza inferiore a 3 m. Prima di utilizzare il sistema di salita sicura, accertarsi che sotto i piedi dell'utente vi sia lo spazio libero necessario.



Avvertenza

Prima di utilizzare questo dispositivo anticaduta, l'utente deve leggere e comprendere il presente manuale di istruzioni e tutte le istruzioni aggiuntive fornite durante la formazione o in dotazione con il dispositivo o il sistema anticaduta.



Avvertenza

Qualsiasi modifica o agguinzatura al dispositivo anticaduta della serie Söll VC500 senza l'approvazione scritta del produttore può impedire il corretto funzionamento del dispositivo e pertanto è vietata.

CONSERVATE IL PRESENTE MANUALE PER UN USO FUTURO - NON GETTATELO VIA!

4 PUNTO DI ANCORAGGIO SULLA PROLUNGA PER PIATTAFORMA

La prolunga per piattaforma Vi-Go di Honeywell Söll ha un punto di ancoraggio certificato per la protezione anticaduta per:

- **2 persone** in conformità con le norme EN 795:2012 e CEN/TS 16415:2013
- **1 persona** in conformità con la norma ANSI Z359.18.

L'occhiello della piastra di ancoraggio in metallo (Fig. 2, Pos. 1) funge da punto di ancoraggio.

In questo modo l'utente può essere protetto dalle cadute durante la transizione dall'avanzamento verticale a quello orizzontale. È necessario evitare punti di inciampo all'ingresso e nell'area di lavoro.



Avvertenza!

Il dispositivo di ancoraggio non deve essere utilizzato se l'occhiello di ancoraggio è stato sollecitato da una caduta. In questo caso, il dispositivo di ancoraggio deve essere controllato da una persona autorizzata e, se necessario, sostituito.

Il punto di ancoraggio sulla prolunga per piattaforma può essere utilizzata solo in combinazione con i seguenti dispositivi di sicurezza:

- sistemi di protezione individuale anticaduta conformi alla norma EN 363 o ANSI/ASSP Z359.1:2020-00
- assorbitori di energia in conformità alla norma EN 355 o ANSI/ASSP Z359.13:2013-00
- sistemi di salvataggio in conformità con le norme EN 1496 o ANSI/ASSP Z359.4:2013-00, EN 1479, EN 1498 e ANSI/ASSP Z359.4:2013-00

Il sistema di protezione individuale anticaduta (solo con assorbitore di energia) o il sistema di salvataggio devono essere scelti in modo da evitare la collisione dell'utente con il suolo o con altri ostacoli. Seguire le istruzioni d'uso del produttore.

Per garantire la sicurezza contro le cadute, il moschettone (Fig. 3, Pos. 2) di un dispositivo di collegamento deve essere installato sull'occhiello della piastra di ancoraggio in acciaio (Fig. 3, Pos. 1) e bloccato, al fine di evitare che si sganci accidentalmente.



Pericolo!

Il moschettone del dispositivo di collegamento non deve essere sganciato dal dispositivo di ancoraggio prima che l'utente sia protetto da un'altra soluzione anticaduta.

5 UTILIZZO



Importante!

5.1 ISPEZIONE PRE-SALITA:

- Prima di ogni utilizzo, ispezionare il cavo, la tensione del cavo, il dispositivo anticaduta e i moschettoni per verificarne l'utilizzabilità.
- Il sistema anticaduta non deve essere utilizzato se sono stati riscontrati difetti o in caso di dubbi sul corretto funzionamento. Prima di un ulteriore utilizzo, è necessaria un'ispezione da parte di un tecnico autorizzato e la sostituzione delle parti difettose.
- Prima di utilizzare il sistema anticaduta, è necessario predisporre un piano di salvataggio.



Avvertenza

Se l'imbracatura si allenta durante le operazioni di salita o discesa, raggiungere una posizione sicura e regolarla correttamente.

Quando si lavora all'interno o accanto alla via di salita, e durante operazioni e azioni che non fanno parte dei movimenti abituali di salita e discesa, l'arrampicatore deve inoltre mettersi in sicurezza con un cordino conforme alla norma EN 354 o con un cordino di posizionamento sul lavoro conforme alla norma EN 358:2018-11 o ANSI/ASSP Z 359.4:2013-00. Questo vale anche per le posizioni inattive di riposo sulla scala anticaduta. È necessario utilizzare solo dispositivi di ancoraggio adeguati. In tutte queste situazioni, il cordino deve essere ben saldo al fine di evitare una caduta.



Importante!

I dispositivi anticaduta della serie Söll VC500 devono essere utilizzati solo con sistemi con un'inclinazione massima di 15° dalla verticale in tutte le direzioni.



Importante!

Il dispositivo anticaduta è conforme alle norme EN 353-1+A1:2017-12, CSA Z259.2.5-17, ANSI A14.3-2008, ANSI Z359.16-2016, e NBR 14627, e deve essere utilizzato solo da soggetti che:

- hanno ricevuto una formazione o sono altrimenti autorizzati
- sono supervisionati direttamente da una persona adeguatamente formata o autorizzata.

5.2 COLLEGAMENTO AL SISTEMA:

- Il design consente il fissaggio su cavi in acciaio zincato o inox da 8 mm (5/16 pollici) o 10 mm (3/8 pollici) che fanno parte del sistema Söll Vi-Go.
- Il dispositivo anticaduta è dotato di un meccanismo che consente di evitarne un collegamento errato al cavo.

5.3 COLLEGARE IL DISPOSITIVO ANTICADUTA ALL'IMBRACATURA INTEGRALE:

- Tirare verso il basso la boccia zigrinata del moschettono.
- Ruotare quindi la boccia zigrinata e premerla verso l'interno.
- Collegarlo direttamente all'attacco sternale dell'imbracatura integrale.
- Rilasciare la boccia zigrinata; si bloccherà automaticamente.



Pericolo!

Un moschettono non fissato (boccia zigrinata aperta) è pericoloso per la vita umana.

La cinghia addominale o toracica dell'imbracatura integrale deve aderire perfettamente al corpo (Fig. 4).



Pericolo!

Il dispositivo anticaduta deve essere inserito direttamente nel punto di attacco sternale dell'imbracatura integrale (Fig. 5, 6, 7).

5.4 INSERIMENTO NEL CAVO DI GUIDA

VC510

- Tenere il dispositivo anticaduta in modo che la freccia sull'involucro sia rivolta verso l'alto.
- Sollevare il moschettono con la leva frenante verso l'alto (Fig. 8a).
- Tirare la manopola di bloccaggio dal dispositivo anticaduta, quindi farla scorrere via dal cavo (Fig. 8b).
- Attraverso la fessura apertasi nella custodia del dispositivo anticaduta, posizionare il dispositivo anticaduta sul cavo in modo che la freccia sulla custodia sia rivolta verso l'alto (Fig. 8c).
- Rilasciare la leva frenante e la manopola di bloccaggio.
- Il dispositivo Söll VC510 è ora collegato al cavo guida.
- Verificare che il dispositivo anticaduta possa scorrere liberamente in verticale sul cavo di guida.
- Verificare il funzionamento del meccanismo di bloccaggio e di arresto spostando la leva frenante.

VC570

- Tenere il dispositivo anticaduta in modo che la freccia sull'involucro sia rivolta verso l'alto.
- Sollevare il moschettono con la leva frenante verso l'alto (Fig. 9a).
- Premere il pulsante superiore verso il basso, nel corpo del dispositivo anticaduta (Fig. 9b, Pos. 1).
- Premere il grilletto nella struttura del dispositivo anticaduta (Fig. 9b, Pos. 2).
- Attraverso la fessura apertasi nella custodia del dispositivo anticaduta, posizionare il dispositivo anticaduta sul cavo in modo che la freccia sulla custodia sia rivolta verso l'alto (Fig. 9c).
- Rilasciare la leva frenante, il pulsante e il grilletto.
- Il dispositivo Söll VC570 è ora collegato al cavo guida.
- Verificare che il dispositivo anticaduta possa scorrere liberamente in verticale sul cavo di guida.
- Verificare il funzionamento del meccanismo di bloccaggio e di arresto spostando la leva frenante.

5.5 RIMOZIONE DEL DISPOSITIVO ANTICADUTA DAL CAVO DI GUIDA



Avvertenza!

Prima di rimuovere il dispositivo anticaduta dal cavo verticale, o di staccarlo dall'imbracatura, gli utenti devono essere ben attaccati e protetti dal pericolo di cadute in altri modi!

VC510

- Sollevare il moschettono con la leva frenante verso l'alto.
- Tirare la manopola di bloccaggio dal dispositivo anticaduta, quindi farla scorrere via dal cavo.
- Attraverso la fessura apertasi nella custodia del dispositivo anticaduta, rimuovere il dispositivo anticaduta.
- Rilasciare la leva frenante e la manopola di bloccaggio.

VC570

- Sollevare il moschettono con la leva frenante verso l'alto.
- Premere il pulsante superiore verso il basso, nel corpo del dispositivo anticaduta.
- Premere il grilletto nella struttura del dispositivo anticaduta.
- Attraverso la fessura apertasi nella custodia del dispositivo anticaduta, rimuovere il dispositivo anticaduta.
- Rilasciare la leva frenante, il pulsante e il grilletto.

6 ISPEZIONE

La sicurezza degli utenti dipende dall'efficienza e dalla resistenza dell'attrezzatura. A seconda della legislazione locale, della frequenza d'uso e delle condizioni ambientali, i dispositivi anticaduta devono essere ispezionati da una persona competente su base regolare e almeno ogni 12 mesi, come previsto dalla norma ANSI Z359 / EN 365. Le ispezioni periodiche devono essere eseguite solo da una persona competente, e rigorosamente in conformità alle procedure di ispezione periodica del produttore.

Prima di ogni utilizzo e durante l'ispezione periodica, il dispositivo anticaduta deve essere ispezionato visivamente per garantire che:

- Lo spazio tra il meccanismo di bloccaggio e la custodia del dispositivo anticaduta non deve superare i 5 mm / 0,118 pollici (Fig. 10).
- La distanza tra gli anelli dell'assorbitore non deve essere inferiore a 2 mm / 0,08 pollici (Fig. 11).
- Non siano presenti segni di usura, danni o altri deterioramenti.
- Le etichette/marcature del prodotto siano leggibili.

Se i requisiti di cui sopra non sono soddisfatti, il dispositivo anticaduta deve essere rimosso dal servizio e sostituito o riparato. Le riparazioni possono essere effettuate solo dal produttore.



Avvertenza!

Un dispositivo anticaduta che ha arrestato la caduta di un utente dall'alto deve essere rimosso dal servizio.

7 MANUTENZIONE

PULIZIA

Pulire con acqua. Non utilizzare in nessun caso solventi o detersivi contenenti acidi o alcali. Lasciare asciugare naturalmente in un'area ben ventilata, lontano da fiamme libere o altre fonti di calore.

DURATA

Una manutenzione adeguata dei DPI contribuisce a garantire una maggiore durata del prodotto, nonché la sicurezza dell'utente.

La durata operativa del dispositivo anticaduta dipende dalla frequenza d'uso e dalle condizioni operative. Durante l'ispezione annuale svolta da un soggetto o un ente autorizzato, il dispositivo anticaduta sarà autorizzato per ulteriori usi se il prodotto e i relativi componenti saranno in buone condizioni.

TRASPORTO E IMMAGAZZINAGGIO

Durante il trasporto e l'immagazzinaggio, assicurarsi che i DPI siano collocati lontano da fonti di calore, umidità, atmosfera corrosiva, raggi ultravioletti, ecc. ed evitare urti o vibrazioni eccessive.

8 GESTIONE DEGLI ARTICOLI

VC510 e VC570 presentano numeri di serie univoci sul lato della struttura esterna (vedere Marcatura del prodotto, punto "N").

RFID

Il dispositivo **VC570** incorpora un tag RFID (Radio Frequency Identification) contenente un numero di identificazione univoco che può essere utilizzato per la tracciabilità dei prodotti in conformità alla norma ISO 18000-63. La tecnologia RFID consente di effettuare rapide ispezioni sul campo e di specificare informazioni quali numero di modello, data di produzione, numero ispezione/lotto e norme osservate. Oltre al tipo di lettore e al tag RFID, la distanza di lettura ottimale varia a seconda del lettore, dell'orientamento del tag e del materiale.

L'etichetta RFID è posizionata sotto la copertura in plastica del dispositivo anticaduta - vedere marcatura del prodotto.



SPECIFICHE

- Frequenza globale: 840 ~ 940 MHz
- Memoria EPC 128 bit, TID: 96bit
- Conservazione dei dati: 20+ ANNI

RACCOMANDAZIONI

Dopo aver pulito i DPI, scansionare l'etichetta RFID per verificare che non sia stata danneggiata.

9 PROTEZIONE AMBIENTALE



Il simbolo WEEE indica che il presente prodotto non può essere trattato come rifiuto domestico.

Al fine di proteggere l'ambiente, assicurarsi che il prodotto venga smaltito correttamente. Per maggiori informazioni sul riciclaggio presente prodotto, si prega di contattare le autorità locali, il fornitore del servizio di smaltimento dei rifiuti domestici/industriali o il punto vendita dove è stato acquistato il prodotto.

Söll VC500 - Осигурувач од паѓање од наведуван тип за **Söll Vi-Go/ Antec CABMAX** вертикален систем за заштита од паѓање

1 ОПШТИ ИНФОРМАЦИИ

НОРМАТИВНИ РЕФЕРЕНЦИ

Овој производ ја опфаќа следната листа на стандарди и директиви. Одговорност е на корисникот да се придржува на релевантните стандарди кои се опфатени во овој прирачник.

Референтните групи на стандарди/директиви подолу се применливи според пазарот, на пр. ако производот се користи во Европската Унија (ЕУ) корисникот мора да биде усогласен со стандардите/директивите на ЕУ и сите други стандарди споменати во корисничкото упатство не се релевантни.

Во овој документ, линијата со ригиден затегнувач исто така се споменува како „кабел“ или „кабел за наведување“.

ЕВРОПСКИ СТАНДАРДИ

EN 353-1+A1:2017-12 - Лична заштитна опрема против паѓање - Осигурувач од паѓање од наведуван тип вклучувајќи линија со затегнувач - Дел 1: Осигурувачи од паѓање од наведуван тип вклучувајќи линија со ригиден затегнувач

CNB/P/11.119 - Регулатива за ЛЗО (ЕУ) 2016/425

АМЕРИКАНСКИ СТАНДАРДИ И РЕГУЛАТИВИ

ANSI-ASC A14.3-2008 - Скали-Фиксни-Безбедносни барања

ANSI/ASSE Z359.16-2016 - Безбедносни барања за системи за заштита од паѓање со скали за качување OSHA 1910.29 & 1926.502

КАНАДСКИ СТАНДАРДИ

CSA Z259.2.5-17 - Осигурувачи од паѓање и вертикални сигурносни јажиња

БРАЗИЛСКИ СТАНДАРДИ

NBR 14627 - Equipamento de proteção individual contra queda de altura - Travaquada guiado em linha rígida

2 СИСТЕМ

Комплетот осигурувачи од паѓање Söll VC500 може да се користи со Söll Vi-Go/Antec CABMAX вертикалниот систем за заштита од паѓање (понатаму именуван како „систем за заштита од паѓање“) и го исполнува стандардот наведен во следната табела:

		Söll Vi-Go систем			ANTEC Cabmax
		без горен амортизер	со горен амортизер FPH_30176	со горен амортизер тип TRTB/	
Осигурувач од паѓање	Söll VC510	<ul style="list-style-type: none"> • ANSI A14.3-2018 • OSHA 1910.29 & 1926.502 • EN 353-1+A1:2017-12 • UKCA 	<ul style="list-style-type: none"> • ANSI A14.3-2018* • OSHA 1910.29 & 1926.502* 	<ul style="list-style-type: none"> • ANSI A14.3-2018 • OSHA 1910.29 & 1926.502 	• EN 353-1+A1:2017-12
	Söll VC570	<ul style="list-style-type: none"> • ANSI Z359.16-2016 • OSHA 1910.29 & 1926.502 • CSA Z259.2.5-17 • EN 353-1+A1:2017-12 • UKCA 	<ul style="list-style-type: none"> • ANSI Z359.16-2016* • OSHA 1910.29 & 1926.502* 	<ul style="list-style-type: none"> • ANSI Z359.16-2016 • OSHA 1910.29 & 1926.502 • CSA Z259.2.5-17 	X

*Само со кабли и компоненти од нерѓосувачки челик од 10 mm (3/8 инчи).

Сиот комплет на осигурувачи од паѓање Söll VC500 може да се користи со вертикални системи со осигурувачи од паѓање со автоматски или рачно поставени држачи, со сајли од 8 mm (5/16“) или 10 mm (3/8“). За дополнителни информации видете го упатството за инсталација на системот Söll Vi-Go.

3 МЕРКИ НА ПРЕТПАЗЛИВОСТ

Секој кој работи со или на системот за заштита од паѓање мора да се запознае со овие упатства пред да го користи системот. Опремата за заштита од паѓање не треба да се користи надвор од нејзините ограничувања или за секаква цел која е поинаква од она за што е наменета. Употреба која не е во согласност со овие упатства претставува ризик по човечкиот живот. На операторите мора да им се овозможи обука која ќе ги опфаќа овие упатства и информациите за корисникот пред да започнат со работа и повторно најмалку еднаш годишно. Осигурајте се дека безбедносната функција на која било од компонентите не е засегната од безбедносната функција на друга и дека тие не се мешаат една со друга. Ако производот се продава надвор од првата земја на дестинација, препорочавачот мора да осигура дека производот соодветствува со законите применливи во таа земја и да обезбеди упатства за производот на соодветниот јазик.

Операторот на системот за заштита од паѓања како и корисникот на осигурувач од паѓање мора да се осигураат дека овој прирачник секогаш е правилно складиран и е достапен за консултација во секое време.

Националните прописи за заштита од незгоди и употребата на безбедносна опрема за градежни работи мора да се следат.

Осигурувачот од паѓање од наведен тип е составен дел од системот за заштита од паѓање во согласност со EN 353-1:2014+A1:2017, CSA Z259.2.5-17, ANSI A14.3-2008, и ANSI Z359.16-2016 и е дизајниран за употреба како лична заштитна опрема. За да осигури правилна употреба на системот за заштита од паѓање, операторот мора да осигури дека појасот за цело тело и осигурувачот од паѓање се употребуваат според овие упатства. По користење, осигурувачот од паѓање не смее да се остави поврзан на системот за безбедно искачување. Осигурувачот од паѓање мора да се користи само во оригиналниот систем за заштита од паѓање. Појасот за цело тело е единствениот прифатлив уред за држење на тело што може да се користи во систем за заштита од паѓање. Системот за безбедно искачување мора да се употребува само заедно со појасите за цело тело кои се проверени и одобрени во согласност со EN 361:2002-05, NBR 15836, CSA Z259.2.5-17, или ANSI Z359.16-2016 и се опремени со предна точка за прикачување.

За да се постигне спој помеѓу осигурувачот од паѓање и појасот за цело тело, поврзете ја куката карабинер од осигурувачот од паѓање на сертифицираниот прстен за затегнување означен со „А“ (применливо само кога е во согласност со EN 361:2002-05) на градниот дел на појасот за цело тело. Растојанието помеѓу осигурувачот од паѓање и појасот за цело тело не смее да се намалува ниту да се зголемува (пр. со додавање или вадење на конектор).

Должината на карабинерот не смее да се продолжува или скратува.

На системот може да бидат прикачени **максимум 4 корисници** во исто време (вклучувајќи ги и корисниците додирани на точката за прикачување, кога се користи екстензија на платформата). Освен во случај на операции на спасување, само едно лице во даден момент треба да го користи истиот сегмент на вертикалната сајла помеѓу средишните држачи за водилките за сајла. Секој корисник мора да е осигуран на издвоен осигурувач од паѓање. Осигурувачот од паѓање од наведен тип е за користење **само од 1 лице**. Растојанието помеѓу корисниците **не смее да биде помало од 3 м / 10 стапки** (Сл.1). Конкретниот број на корисници зависи од капацитетот на носивоста на основната структура.

Минималната тежина на корисникот без облека и опрема е **50 кг / 110 фунти**. Максималната тежина на корисникот со облека и опрема е **140 кг / 310 фунти** и не смее да се надмине.

Осигурувачот од паѓање од наведен тип не треба да се употребува за работно позиционирање. Ако е потребно работно позиционирање, треба да се користи опрема за работно позиционирање.

Осигурувачот од паѓање не треба да се допира во текот на качувањето/спуштањето за да се осигури безбедност.

Точките за фиксирање за кабелот на системот за заштита од паѓање не смее да се користат за обезбедување товари.

Пред и во текот на употребата на инсталираниот систем за заштита од паѓање, системот мора визуелно да се проверува за да се осигури дека правилно работи.

Работната температура е **-40°C до +70°C / -40°F до 158°F**; уверете се дека на системот нема застапувања, масло и мраз. Операторот мора да го провери своето здравје кај својот лекар и не смее да биде под влијание на алкохол, дроги или лекови кои може да влијаат на безбедното користење на производот.



Важно!

Корисникот може да не е доволно заштитен од паѓање на земја или удирање во преки ако е на висина помала од 3 м / 10 стапки. Пред користење на системот за безбедно искачување, уверете се дека го има потребниот слободен простор под стапалата на корисникот.



Предупредување

Пред да го користите овој осигурувач од паѓање, корисникот мора да го прочита и разбере ова упатство за употреба и сите дополнителни упатства обезбедени во тек на обука или дадени со осигурувачот од паѓање или системот за заштита од паѓање.



Предупредување

Сите измени или дополнувања на комплетот на осигурувачот од паѓање Söll VC500 без писмено одобрение од производителот можат да го нарушат правилното функционирање на осигурувачот од паѓање, па затоа се забранети.

ЧУВАЈТЕ ГО ОВА УПАТСТВО ВО ЗАПОМНАТА ПОЗИЦИЈА УПОТРЕБА - НЕ ФРЛАЈТЕ ГО!

4 ЕКСТЕНЗИЈА НА ПЛАТФОРМАТА НА УРЕДОТ ЗА ЗАКАЧУВАЊЕ

Екстензијата на платформата на Honeywell Söll Vi-Go е сертифицирана точка за закачување за заштита од паѓање за:

- **2 лица** во согласност со EN 795:2012 и CEN/TS 16415:2013
- **1 лице** во согласност со ANSI Z359.18.

Окцето на челичната подлога за закачување (сл. 2, пол. 1) служи како точка за закачување.

Затоа корисникот може да биде заштитен од паѓање додека преминува од вертикален на хоризонтален напредок. Точки на сопување на влезот и работниот простор мора да се избегнат.



Предупредување!

Уредот за закачување не смее да се употребува ако окцето за закачување било оштетено од пад. Во овој случај уредот за закачување мора да се провери од овластено лице и ако е потребно да се замени.

Платформата за екстензија на уредот за закачување може да се употребува само во комбинација со следнава заштитна опрема:

- системи за лична заштита од паѓање во согласност со EN 363 или ANSI/ASSP Z359.1:2020-00
- амортизери во согласност со EN 355 или ANSI/ASSP Z359.13:2013-00
- систем за спасување во согласност со EN 1496 или ANSI/ASSP Z359.4:2013-00, EN 1479, EN 1498 и ANSI/ASSP Z359.4:2013-00

Системот на лична заштитна опрема против паѓање (само со амортизер) или систем за спасување мора да се избере така што судирот на корисникот со тлото или судир со други пречки може да се избегнат. Следете ги корисничките упатства од производителот.

За заштита од паѓање куката карабинер (сл. 3, пол. 2) на уредот за поврзување мора да биде поставена на окцето на челичната подлога за закачување (сл. 3, пол. 1) и заклучена за да се избегне ненамерно откачување.



Опасност!

Куката карабинер на уредот за поврзување не смее да се откачува од уредот за закачување пред корисникот да биде заштитен од паѓање со друго решение.

5 УПОТРЕБА



Важно!

5.1 ПРОВЕРКА ПРЕД ИСКАЧУВАЊЕ:

- пред секоја употреба, проверете го кабелот, затегнатоста на кабелот, осигурувачот од паѓање и карабинерите за употребливост.
- Системот за заштита од паѓање не смее да се употребува ако се забележат дефекти или во случај на сомнежи за неговото правилно функционирање. Пред понатамошна употреба, потребна е проверка од овластено лице и неисправните делови мора да се заменат.
- Мора да постои план за спасување пред користење на системот за заштита од паѓање.



Предупредување

Ако појасот се олабави при качување или спуштање, застанете на сигурна положба и соодветно прилагодете го.

Кога се работи на или до патеката за качување и во текот на работите и дејствијата кои не се дел од вобичаените движења при качување и слегување, качувачот мора дополнително да се осигура самиот себе со јаже во согласност со EN 354 или со јаже за работно позиционирање во согласност со EN 358:2018-11 или ANSI/ASSP Z 359.4:2013-00. Ова е исто така применливо за неактивни положби при одмарање на скалата за заштита од паѓање. Мора да се користат само одговарачки уреди за закачување. Во сите овие ситуации, јажеото мора да се држи затегнато за да се спречи паѓање.



Важно!

Комплетот со осигурувач од паѓање Söll VC500 мора да се употребува само со системи со закосеност од максимум 15° од вертикалата во сите насоки.



Важно!

Осигурувач од паѓање според EN 353-1+A1:2017-12, CSA Z259.2.5-17, ANSI A14.3-2008, ANSI Z359.16-2016, и NBR 14627 треба да се користат само од лица кои:

- се обучени или се овластени на поинаков начин
- директно се надгледувани од обучено или овластено лице.

5.2 ПОВРЗУВАЊЕ НА СИСТЕМОТ:

- Дизајнот дозволува прицврстување на **8 mm (5/16 in)** или **10 mm (3/8 in)** галванизирани или сајли од нерѓусувачки челик кои се дел од системот Söll Vi-Go.
- Осигурувачот од паѓање има механизам, кој помага да се спречи осигурувачот од паѓање неправилно да се закачи за кабелот.

5.3 ПОВРЗУВАЊЕ НА ОСИГУРУВАЧОТ ОД ПАЃАЊЕ НА ПОЈАСОТ ЗА ЦЕЛО ТЕЛО:

- Притиснете ја свивливата водилка на карабинерот.
- Потоа свртете ја свивливата водилка и притиснете ја навнатре.
- Закачете ја директно на поврзувањето за граден дел на појасот за цело тело.
- Пуштете ја свивливата водилка, се заклучува автоматски.

**Опасност!**

Неосигурен карабинер (отворена свивлива водилка) е опасно по животот на човекот. Абдоминалниот или градниот каиш на појасот за цело тело мора точно да му одговараат на телото (Сл. 4).

**Опасност!**

Карабинерот на осигурувачот од паѓање мора да е директно ставен во точка за прицврстување на градите на појасот за цело тело (Сл. 5, 6, 7).

5. 4 СТАВАЊЕ НА КАБЕЛ ЗА НАВЕДУВАЊЕ**VC510**

- Држете го одводникот за паѓање така што стрелката на кукиштето е насочена нагоре.
- Подигнете го карабинерот со рачката за кочење нагоре (Сл. 8а).
- Тргнете го копчето за заклучување подалеку од осигурувачот од паѓање, па лизнете го подалеку од кабелот (сл. 8б)
- Низ отворот што сега ќе се отвори во кукиштето на осигурувачот од паѓање, ставете го осигурувачот од паѓање на кабелот така што стрелката на кукиштето да покажува нагоре (сл. 8с).
- Ослободете ја рачката за кочење и копчето за заклучување.
- Soll VC510 сега е поврзан со кабелот за наведување.
- Проверете дали осигурувачот од паѓање може слободно да се лизга вертикално на кабелот за наведување.
- Проверете го функционирањето на механизмот за заклучување и фаќање со движење на рачката за кочење.

VC570

- Држете го одводникот за паѓање така што стрелката на кукиштето е насочена нагоре.
- Подигнете го карабинерот со рачката за кочење нагоре (Сл. 9а).
- Притиснете го копчето на врвот надолу во телото на осигурувачот од паѓање (сл. 9б, пол.1).
- Притиснете го активаторот во телото на осигурувачот од паѓање (сл. 9б, пол.2).
- Низ отворот што сега ќе се отвори во кукиштето на осигурувачот од паѓање, ставете го осигурувачот од паѓање на кабелот така што стрелката на кукиштето да покажува нагоре (сл. 9с).
- Ослободете ги рачката за кочење, копчето и активаторот.
- Soll VC570 сега е поврзан со кабелот за наведување.
- Проверете дали осигурувачот од паѓање може слободно да се лизга вертикално на кабелот за наведување.
- Проверете го функционирањето на механизмот за заклучување и фаќање со движење на рачката за кочење.

5. 5 ВАДЕЊЕ НА ОСИГУРУВАЧОТ ОД ПАЃАЊЕ ОД КАБЕЛОТ ЗА НАВЕДУВАЊЕ**Предупредување!**

Пред вадењето на осигурувачот од паѓање од вертикалниот кабел или откачувањето од појасот, корисниците мора да бидат осигурани и заштитени од паѓање од височина на друг начин!

VC510

- Подигнете го карабинерот со рачката за кочење нагоре.
- Тргнете го копчето за заклучување подалеку од осигурувачот од паѓање, па лизнете го подалеку од кабелот.
- Низ отворот што сега ќе се отвори во кукиштето на осигурувачот од паѓање, извадете го осигурувачот од паѓање.
- Ослободете ја рачката за кочење и копчето за заклучување.

VC570

- Подигнете го карабинерот со рачката за кочење нагоре.
- Притиснете го копчето на врвот надолу во телото на осигурувачот од паѓање.
- Притиснете го активаторот во телото на осигурувачот од паѓање.
- Низ отворот што сега ќе се отвори во кукиштето на осигурувачот од паѓање, извадете го осигурувачот од паѓање.
- Ослободете ги рачката за кочење, копчето и активаторот.

6 ПРОВЕРКА

Безбедноста на корисниците зависи од постојаната ефикасност и издржливост на опремата. Во зависност од локалната легислатива, фреквенцијата на користење и срединските услови, осигурувачите од паѓање мора да бидат проверувани од компетентно лице на редовна основа и најмалку секои 12 месеци според ANSI Z359 / EN 365. Повремените проверки мора да се извршуваат само од компетентно лице и строго во согласност со постапките за поврени проверки на производителот.

Пред секое користење и во текот на повремената проверка, осигурувачот од паѓање мора визуелно да се провери за да се осигури дека:

- отворот помеѓу механизмот за заcluкување и кукиштето на осигурувачот од паѓање не смее да биде поголем од 53 мм / 0.118 инчи (Сл. 10)
- просторот помеѓу спиралите на амортизерот мора да биде помал од 2 мм / 0,08 инчи (Сл. 11).
- нема знаци на абеење, оштетување или други недостатоци.
- етикетите/ознаките на производот се читливи.

Ако претходните барања не се исполнети, осигурувачот од паѓање мора да се отстрани од употреба и да се замени или поправи. Поправки може да бидат извршени само од производителот.



Предупредување!

Осигурувач од паѓање кој осигурал пад на корисник од висина мора да се отстрани од употреба.

7 ОДРЖУВАЊЕ

ЧИСТЕЊЕ

Чистете со вода. Не употребувајте никакви растворувачи или средства за чистење кои содржат киселини/ бази под никакви услови. Дозволете природно да се исуши во добро проветрена област подалеку од каков било отворен оган или други извори на топлина.

РОК НА УПОТРЕБА

Правилната грижа за вашата ЛЗО ќе помогне да се осигура подолг работен век на производот и ќе ја осигури вашата безбедност.

Работниот век на осигурувачот од паѓање зависи од честотата на употреба и условите на користење. Во текот на годишните проверки кои се спроведуваат од овластено лице или тело, осигурувачот од паѓање ќе биде дозволен за понатамошна употреба само ако производот и неговите компоненти се во добра состојба.

ТРАНСПОРТ И СКЛАДИРАЊЕ

За време на транспорт и складирање, уверете се дека вашата ЛЗО е ставена подалеку од извори на топлина, влага, корозивна атмосфера, ултравиолетови зраци и сл. и избегнувајте каков било притисок или прекумерна вибрација.

8 УПРАВУВАЊЕ СО ПРОИЗВОД

VC510 и VC570 претставуваат единствени сериски броеви на страната на надворешното тело (видете Ознака на производ, точка „N“).

RFID

VC570 вклучува ознака за RFID (идентификација на радиофреквенција) што содржи единствен идентификациски број кој може да се користи за следење на производот според ISO 18000-63. RFID овозможува брза проверка на поле и наведува информации кои вклучуваат број на модел, датум на производство, број на проверка/партија и стандардите што ги исполнуваат. Како дополнење на типот на читач и ознаката RFID, оптималната оддалеченост за RFID читање се разликува во зависност од читачот, ориентацијата на ознаката и материјалот.

RFID ознаката се наоѓа под пластичниот капак на осигурувачот од паѓање - видете означување на производот.



СПЕЦИФИКАЦИИ

- Frequency Global: 840 ~ 940 MHz
- Memory EPC 128bits, TID: 96bit
- Data retention: 20 years

ПРЕПОРАКИ

По чистењето на вашата ЛЗО, скенирајте ја RFID ознаката да потврдите дека не била оштетена.

9 ЗАШТИТА НА ЖИВОТНАТА СРЕДИНА



Симболот WEEE укажува дека овој производ не смее да се третира како отпад од домаќинството. За да ја заштитите средината, уверете се дека производот е правилно фрлен. За подетални информации за рециклирањето на овој производ, контактирајте со вашите локални власти, вашиот давател на услуги на фрлање на отпад од домаќинство/индустрија или продавницата каде што ви го продале производот.

Söll VC500 - meelopende valbeveiliger voor het Söll Vi-Go/Antec CABMAX verticale valbeveiligingssysteem

1 ALGEMENE INFORMATIE

NORMATIEVE REFERENTIES

Dit product is onderhevig aan de onderstaande normen en richtlijnen. De gebruiker is verantwoordelijk voor het naleven van de relevante normen in deze handleiding.

De onderstaande referentiegroepen van normen/richtlijnen zijn naargelang de markt van toepassing. Als het product bijvoorbeeld in de Europese Unie (EU) wordt gebruikt, moet de gebruiker voldoen aan de EU-normen/-richtlijnen en zijn alle andere normen die in de gebruikershandleiding worden genoemd niet relevant.

In dit document wordt een starre ankerlijn ook "kabel" of "geleidingskabel" genoemd.

EUROPESE NORMEN

EN 353-1+A1:2017-12 - Persoonlijke beschermingsmiddelen tegen vallen - Meelopende valbeveiliger met een ankerlijn - Deel 1: Meelopende valbeveiliger met starre ankerlijn
 CNB/P/11.119 - PBM-verordening (EU) 2016/425

AMERIKAANSE NORMEN EN VOORSCHRIFTEN

ANSI-ASC A14.3-2008 - Veiligheidseisen voor vaste ladders
 ANSI/ASSE Z359.16-2016 - Veiligheidseisen voor valbeveiligingssystemen voor klimladders OSHA 1910.29 & 1926.502

CANADESE NORMEN

CSA Z259.2.5-17 - Valbeveiligers en verticale vanglijnen

BRAZILIAANSE NORMEN

NBR 14627 - Equipamento de proteção individual contra queda de altura - Travaquada guiado em linha rígida

2 SYSTEEM

De valbeveiligers uit de Söll VC500-serie mogen worden gebruikt in combinatie met een Söll Vi-Go/Antec CABMAX verticaal valbeveiligingssysteem (hierna te noemen "het valbeveiligingssysteem") en voldoen aan de in de volgende tabel aangegeven normen:

		Söll Vi-Go-systeem			ANTEC Cabmax
		zonder schokdemper bovenop	met schokdemper bovenop FPH_30176	met schokdemper bovenop type TRTB/	
Valbeveiliger	Söll VC510	<ul style="list-style-type: none"> • ANSI A14.3-2018 • OSHA 1910.29 & 1926.502 • EN 353-1+A1:2017-12 • UKCA 	<ul style="list-style-type: none"> • ANSI A14.3-2018* • OSHA 1910.29 & 1926.502* 	<ul style="list-style-type: none"> • ANSI A14.3-2018 • OSHA 1910.29 & 1926.502 	<ul style="list-style-type: none"> • EN 353-1+A1:2017-12
	Söll VC570	<ul style="list-style-type: none"> • ANSI Z359.16-2016 • OSHA 1910.29 & 1926.502 • CSA Z259.2.5-17 • EN 353-1+A1:2017-12 • UKCA 	<ul style="list-style-type: none"> • ANSI Z359.16-2016* • OSHA 1910.29 & 1926.502* 	<ul style="list-style-type: none"> • ANSI Z359.16-2016 • OSHA 1910.29 & 1926.502 • CSA Z259.2.5-17 	X

*Alleen met roestvrijstalen kabels en componenten van 10 mm (3/8 inch).

Alle valbeveiligers uit de Söll VC500-serie kunnen worden gebruikt met verticale valbeveiligingssystemen met automatische of handmatige doorvoerbeugels en kabels van 8 mm (5/16") of 10 mm (3/8"). Raadpleeg de installatiegids van het Söll Vi-Go-systeem voor meer informatie.

3 VEILIGHEIDSMATREGELEN

Eenieder die met of op het valbeveiligingssysteem werkt dient bekend te zijn met deze instructies alvorens het systeem te gebruiken. De valbeveiligingsapparatuur dient niet buiten zijn beperkingen of voor andere doeleinden dan het beoogde gebruik te worden gebruikt. Gebruik dat niet in overeenstemming is met deze instructies is levensgevaarlijk. Operators dienen te worden getraind aan de hand van deze instructies en de gebruikersinformatie alvorens werkzaamheden te verrichten; een dergelijke training dient ten minste één keer per jaar te worden herhaald. Zorg ervoor dat de veiligheidsfunctie van een van de componenten niet wordt beïnvloed door de veiligheidsfunctie van een ander onderdeel en dat ze elkaar niet hinderen. Indien het product buiten het eerste land van bestemming verkocht wordt, dient de doorverkoper te borgen dat het product in overeenstemming is met de relevante wetgeving van het nieuwe land van bestemming en instructies voor het product te voorzien in de relevante taal.

De operator van het valbeveiligingssysteem en de gebruiker van de valbeveiliging dienen ervoor te zorgen dat deze handleiding altijd zorgvuldig wordt opgeborgen en te allen tijde kan worden geraadpleegd.

Nationale regelgeving over ongevallenpreventie en het gebruik van veiligheidsuitrustingen voor bouwwerkzaamheden moet nageleefd worden.

De meelopende valbeveiliging is een integraal onderdeel van het valbeveiligingssysteem overeenkomstig EN 353-1:2014+A1:2017, CSA Z259.2.5-17, ANSI A14.3-2008 en ANSI Z359.16-2016, en is ontworpen voor gebruik als persoonlijke veiligheidsuitrusting. Om te borgen dat het valbeveiligingssysteem op correcte wijze wordt gebruikt, dient de operator ervoor te zorgen dat de harnasgordel en de valbeveiliging gebruikt worden conform deze instructies. Na gebruik mag de valbeveiliging niet aan het veilige klmsysteem bevestigd gelaten worden. De valbeveiliging mag alleen worden gebruikt in het originele valbeveiligingssysteem. Een volledige harnasgordel is de enige aanvaardbare lichaamsuitrusting die kan worden gebruikt in een valbeveiligingssysteem. Het veilige klmsysteem dient enkel gebruikt te worden in combinatie met harnasgordels die zijn gecontroleerd en goedgekeurd conform EN 361:2002-05, NBR 15836, CSA Z259.2.5-17 of ANSI Z359.16-2016 en uitgerust met een bevestigingspunt aan de voorkant.

Om de valbeveiliging en de volledige harnasgordel met elkaar te verbinden, bevestigt u de karabijnhaak van de valbeveiliging aan de gecertificeerde verankeringring gemarkeerd met "A" (alleen van toepassing indien in overeenstemming met EN 361:2002-05) op de borst van de volledige harnasgordel. De afstand tussen de valbeveiliging en de harnasgordel mag niet worden verkleind of vergroot (bijv. door een verbindingstuk toe te voegen of verwijderen).

De lengte van de karabijnhaak mag niet worden verlengd of verkort.

Er kunnen **maximaal 4 gebruikers** tegelijkertijd aan het systeem worden bevestigd (inclusief de gebruikers die aan het verankeringspunt zijn bevestigd wanneer de platformuitbreiding wordt gebruikt). Behalve bij reddingsoperaties mag slechts één persoon tegelijk hetzelfde verticale kabelsegment tussen tussenbeugels voor kabelgeleiders gebruiken. Elke gebruiker moet een aparte valbeveiliging gebruiken. De meelopende valbeveiliging is bedoeld voor gebruik door **slechts 1 persoon**. De afstand tussen de gebruikers **mag niet kleiner zijn dan 3 m / 10 ft** (Fig. 1). Het effectieve aantal gebruikers is afhankelijk van de belastingscapaciteit van de onderbouw.

De minimale belasting van de gebruiker, exclusief kleding en uitrusting, is **50 kg / 110 lb**. De maximale belasting van de gebruiker, inclusief kleding en uitrusting, is **140 kg / 310 lb** en mag niet worden overschreden.

De meelopende valbeveiliging dient niet gebruikt te worden voor werkplekpositionering. Indien werkplekpositionering vereist is, dient daarvoor beoogde apparatuur te worden gebruikt.

Om de veiligheid te garanderen mag de valbeveiliging tijdens het klimmen niet worden aangeraakt.

Aan de bevestigingspunten voor de kabel van het valbeveiligingssysteem mogen geen ladingen worden gehangen.

Vóór en tijdens het gebruik van het geïnstalleerde valbeveiligingssysteem, dient het systeem visueel te worden geïnspecteerd om te garanderen dat het naar behoren functioneert.

De bedrijfstemperatuur is **-40 °C tot +70 °C / -40 °F tot 158 °F**; zorg dat het systeem vrij is van vet, olie en ijs. De gebruiker moet diens gezondheidstoestand door een arts laten controleren en mag niet onder invloed zijn van alcohol, drugs of medicijnen die het veilige gebruik van het product kunnen beïnvloeden.



Belangrijk!

De gebruiker is wellicht niet voldoende beschermd tegen vallen op de grond of obstakels indien deze zich op een hoogte van minder dan 3 m/10 ft bevindt. Zorg dat er voldoende vrije ruimte onder de voeten van de gebruiker is alvorens het veilige klmsysteem te gebruiken.



Waarschuwing

Alvorens deze valbeveiliging te gebruiken, dient de gebruiker deze instructiehandleiding te lezen en begrijpen, evenals alle aanvullende instructies die tijdens een training worden verstrekt of die bij de valbeveiliging van het valbeveiligingssysteem worden geleverd.



Waarschuwing

Alle modificaties of toevoegingen aan de Söll VC500-serie valbeveiliging zonder schriftelijke goedkeuring van de fabrikant kunnen het correct functioneren van de valbeveiliging belemmeren en zijn daarom verboden.

4 VERANKERINGSSYSTEEM VAN DE PLATFORMUITBREIDING

De Honeywell Söll Vi-Go-platformuitbreiding is een gecertificeerd verankeringspunt voor valbeveiliging voor:

- 2 personen in overeenstemming met EN 795:2012 en CEN/TS 16415:2013;
- 1 persoon in overeenstemming met ANSI Z359.18.

Het oog van de stalen verankeringsplaat (Fig. 2, Pos. 1) dient als verankeringspunt.

Hierdoor kan de gebruiker worden beschermd tegen vallen tijdens de overgang van verticaal naar horizontaal klimmen. Risico's op struikelen bij de toegangs- en werkomgeving moeten worden vermeden.

Waarschuwing!

Het verankeringsysteem mag niet meer gebruikt worden indien het ankerroep is gebruikt om een val te stoppen. In een dergelijk geval dient het verankeringsysteem door een bevoegd persoon te worden gecontroleerd en indien nodig te worden vervangen.

De platformuitbreiding van het verankeringsysteem dient enkel gebruikt te worden in combinatie met de volgende veiligheidsapparatuur:

- persoonlijke valbeveiligingssysteem conform EN 363 of ANSI/ASSP Z359.1:2020-00;
- schokdempers conform EN 355 of ANSI/ASSP Z359.13:2013-00;
- reddingssysteem conform EN 1496 of ANSI/ASSP Z359.4:2013-00, EN 1479, EN 1498 en ANSI/ASSP Z359.4:2013-00.

Het systeem van persoonlijke beschermingsmiddelen tegen vallen (alleen met een schokdemper) of reddingssysteem dient op dergelijke wijze te worden gekozen dat het vallen van de gebruiker op de grond of andere obstakels kan worden vermeden. Volg de gebruiksaanwijzing van de fabrikant.

Om te kunnen beschermen tegen vallen moet de karabijnhaak (Fig. 3, Pos. 2) van een verbindingssysteem aan het oog van de stalen verankeringsplaat (Fig. 3, Pos. 1) worden bevestigd en worden vergrendeld om onbedoeld loskoppelen te voorkomen.

Gevaar!

De karabijnhaak van het verbindingssysteem mag niet van het verankeringsysteem worden losgekoppeld voordat de gebruiker door middel van een andere oplossing tegen vallen wordt beschermd.

5 GEBRUIK

Belangrijk!

5.1 INSPECTIE VÓÓR HET KLIMMEN:

- Vóór elk gebruik dienen de kabel, de kabelspanning, de valbeveiliging en de karabijnhaken te worden geïnspecteerd om te verifiëren dat ze naar behoren functioneren.
- Het valbeveiligingssysteem dient niet gebruikt te worden indien er gebreken worden gevonden of in het geval dat er twijfel bestaat over het correct functioneren van het systeem. Voordat het systeem weer in gebruik kan worden genomen, dient het door een bevoegd persoon te worden geïnspecteerd of dienen de defecte onderdelen te worden vervangen.
- Er moet een reddingsplan zijn opgesteld voordat het valbeveiligingssysteem in gebruik wordt genomen.

Waarschuwing

Als de harnasgordel losraakt tijdens het klimmen of af dalen, dient de gebruiker een veilige positie te vinden om de gordel te verstellen.

Bij het verrichten van werkzaamheden op of nabij de klimroute en tijdens het uitvoeren van handelingen die geen onderdeel uitmaken van de gebruikelijke klim- of afdaalbewegingen, dient de klimmer zich vast te maken met een extra lijn conform EN 354 of met een werkplekpositioneringslijn conform EN 358:2018-11 of ANSI/ASSP Z359.4:2013-00. Dit geldt ook voor inactieve posities om te pauzeren op de ladder van het valbeveiligingssysteem. Alleen geschikte verankeringsystemen dienen te worden gebruikt. In al deze situaties moet de veiligheidslijn strak blijven staan om een val te voorkomen.

Belangrijk!

De Söll VC500-serie valbeveiligers dienen enkel gebruikt te worden in combinatie met systemen met een maximale helling van 15° in alle richtingen ten opzichte van de verticale positie.

Belangrijk!

De valbeveiliging conform EN 353-1+A1:2017-12, CSA Z259.2.5-17, ANSI A14.3-2008, ANSI Z359.16-2016 en NBR 14627 mag alleen worden gebruikt door personen die:

- daartoe getraind zijn of anderszins bevoegd zijn;
- onder direct toezicht staan van een getraind of bevoegd persoon.

5.2 BEVESTIGING AAN HET SYSTEEM:

- Het ontwerp maakt bevestiging mogelijk op gegalvaniseerde of roestvrijstalen kabels van 8 mm (5/16 in) of 10 mm (3/8 in) die deel uitmaken van het Söll Vi-Go systeem.
- De valbeveiliging heeft een mechanisme dat voorkomt dat de valbeveiliging incorrect aan de kabel wordt bevestigd.

5.3 DE VALBEVEILIGER AAN DE HARNASGORDEL BEVESTIGEN:

- Trek de geribbelde huls van de karabijnhaak naar beneden.
- Draai de geribbelde huls vervolgens en druk deze naar binnen.
- Bevestig de karabijnhaak dan direct aan het bevestigingspunt op de borst van de harnasgordel.
- Laat vervolgens de geribbelde huls los. Deze vergrendelt zich dan automatisch.



Gevaar!

Een niet vergrendelde karabijnhaak (open geribbelde huls) is levensgevaarlijk.

De buik- of borstband van de harnasgordel moet strak om het lichaam passen (Fig. 4).



Gevaar!

De karabijnhaak van de valbeveiliging moet rechtstreeks aan het bevestigingspunt op de borst van de harnasgordel worden bevestigd (Fig. 5, 6, 7).

5.4 IN DE GELEIDINGSKABEL PLAATSEN

VC510

- Houd de valbeveiliging zo dat de pijl op de behuizing naar boven wijst.
- Til de karabijnhaak op met de remhendel omhoog (Fig. 8a).
- Trek de vergrendelknop weg van de valbeveiliging en schuif hem dan weg van de kabel (Fig. 8b).
- Plaats de valbeveiliging via de opening in de behuizing van de valbeveiliging zo op de kabel dat de pijl op de behuizing naar boven wijst (Fig. 8c).
- Laat de remhendel en vergrendelknop los.
- De Söll VC510 is nu aangesloten op de geleidingskabel.
- Controleer of de valbeveiliging vrijelijk verticaal over de geleidingskabel kan schuiven.
- Controleer het correct functioneren van het vergrendelings- en vangmechanisme door de remhendel te bewegen.

VC570

- Houd de valbeveiliging zo dat de pijl op de behuizing naar boven wijst.
- Til de karabijnhaak op met de remhendel omhoog (Fig. 9a).
- Druk de bovenste knop naar beneden, in de behuizing van de valbeveiliging (Fig. 9b, Pos. 1).
- Druk de trekker in de behuizing van de valbeveiliging (Fig. 9b, Pos. 2).
- Plaats de valbeveiliging via de opening in de behuizing van de valbeveiliging zo op de kabel dat de pijl op de behuizing naar boven wijst (Fig. 9c).
- Laat de remhendel, de knop en de trekker los.
- De Söll VC570 is nu aangesloten op de geleidingskabel.
- Controleer of de valbeveiliging vrijelijk verticaal over de geleidingskabel kan schuiven.
- Controleer het correct functioneren van het vergrendelings- en vangmechanisme door de remhendel te bewegen.

5.5 DE VALBEVEILIGER VAN DE GELEIDINGSKABEL LOSKOPPELEN



Waarschuwing!

Alvorens de valbeveiliging van de verticale kabel te halen of los te maken van het harnas, moeten gebruikers anderzijds gezekeerd zijn en beschermd zijn tegen vallen!

VC510

- Til de karabijnhaak op met de remhendel omhoog.
- Trek de vergrendelknop weg van de valbeveiliging en schuif hem dan weg van de kabel.
- Verwijder de valbeveiliging via de opening in de behuizing van de valbeveiliging.
- Laat de remhendel en vergrendelknop los.

VC570

- Til de karabijnhaak op met de remhendel omhoog.
- Druk de bovenste knop naar beneden, in de behuizing van de valbeveiliging.
- Druk de trekker in de behuizing van de valbeveiliging.
- Verwijder de valbeveiliging via de opening in de behuizing van de valbeveiliging.
- Laat de remhendel, de knop en de trekker los.

6 INSPECTIE

De veiligheid van de gebruikers is afhankelijk van voortdurende efficiëntie en duurzaamheid van de uitrusting. Afhankelijk van de lokale wetgeving, gebruiksfrequentie en milieuomstandigheden moeten de valbeveiligers regelmatig en ten minste elke 12 maanden door een bevoegd persoon worden geïnspecteerd conform ANSI Z359 / EN 365. De periodieke inspecties mogen enkel worden uitgevoerd door een competent persoon en in strikte overeenstemming met de procedures voor periodieke inspecties van de fabrikant.

Vóór elk gebruik en tijdens de periodieke inspectie moet de valbeveiliging visueel worden geïnspecteerd om het volgende te garanderen:

- De opening tussen het vergrendelingsmechanisme en de behuizing van de valbeveiliging mag niet groter zijn dan 5 mm / 0,118 inch (Fig. 10).
- De opening tussen de lussen van de schokdemper moet kleiner zijn dan 2 mm / 0,08 inch (Fig. 11).
- De valbeveiliging vertoont geen tekenen van slijtage, schade of andere vorm van aantasting.
- De productetiketten/-markeringen zijn leesbaar.

Indien niet aan bovenstaande eisen wordt voldaan, moet de valbeveiliging uit gebruik worden genomen en worden vervangen of gerepareerd. Reparaties kunnen alleen door de fabrikant worden uitgevoerd.



Waarschuwing!

Een valbeveiliging die de val van een gebruiker van een hoogte heeft gestopt, moet uit gebruik worden genomen.

7 ONDERHOUD

REINIGEN

Reinigen met water. Gebruik onder geen enkele omstandigheid oplosmiddelen of zure/basische reinigingsmiddelen. Laat de uitrusting natuurlijk drogen in een goed geventileerde omgeving en uit de buurt van open vuur of andere hittebronnen.

LEVENSDUUR

Goede verzorging van uw PBM verlengt de levensduur van het product en borgt uw veiligheid.

De operationele levensduur van de valbeveiliging hangt af van hoe vaak deze gebruikt wordt en van de operationele omstandigheden. Tijdens de door een bevoegde persoon of partij uitgevoerde jaarlijkse inspecties wordt de valbeveiliging alleen weer vrijgegeven voor verder gebruik indien het product en de bijbehorende onderdelen in goede staat verkeren.

VERVOER EN OPSLAG

Zorg er tijdens vervoer en opslag voor dat uw PBM uit de buurt wordt gehouden van hittebronnen, vochtigheid, corrosieve atmosferen, ultraviolette stralen, etc. en voorkom impacten en overmatige vibratie.

8 ARTIKELBEHEER

VC510 & VC570 hebben unieke serienummers op de zijkant van de behuizing (zie 'Productmarkering', punt 'N').

RFID

VC570 bevat een RFID-tag (Radio Frequency Identification) met een uniek identificatienummer dat kan worden gebruikt om de apparatuur te volgen conform ISO 18000-63. De RFID maakt snelle veldinspecties mogelijk en vermeld informatie zoals het modelnummer, de productiedatum, het inspectie-/ partijnummer en de normen waaraan wordt voldaan. Naast het type lezer van de RFID-tag is de optimale leesafstand voor RFID afhankelijk van de lezer, de plaatsing van de tag en het materiaal.

De RFID-tag wordt onder het plastic kapje van de valbeveiliging geplaatst - zie productmarkering.



SPECIFICATIE

- Frequentie wereldwijd: 840 ~ 940 MHz
- EPC-geheugen, 128bits, TID: 96bit
- Gegevensbewaring: 20 jaar

AANBEVELINGEN

Scan na het reinigen van je PBM je RFID-tag om te controleren of deze niet beschadigd is.

9 MILIEUBESCHERMING



Het WEEE-symbool geeft aan dat dit product niet behandeld mag worden als huishoudelijk afval.

Om het milieu te beschermen, moet u ervoor zorgen dat het product op de juiste manier wordt afgevoerd. Voor meer informatie over het recyclen van dit product kunt u contact opnemen met uw gemeente, het afvalverwerkingsbedrijf voor uw huishoudelijk/industriële afval of het verkooppunt van het product.

Söll VC500 - Veiledet fallsikring for Söll Vi-Go/Antec CABMAX vertikalt fallsikringsystem

1 GENERELL INFORMASJON

NORMATIVE REFERANSER

Dette produktet er omfattet av listen nedenfor over standarder og direktiver. Det er brukerens ansvar å overholde de relevante standardene som denne håndboken omfatter.

Referansegrupper for standarder/direktiver nedenfor gjelder i henhold til markedet, f.eks. hvis produktet brukes i den europeiske union (EU), må brukeren være i samsvar med EU-standarder/direktiver og alle andre standarder nevnt i brukerveiledningen er ikke relevante.

Dette dokumentet omtaler en stiv ankerline også som «kabel» eller «styrekabel».

EUROPEISKE STANDARDER

EN 353-1+A1:2017-12 - Personlig fallsikringsutstyr - Veiledet type falldempere som har en ankerline - Del 1: Guidet type falldempere som har en stiv ankerline
CNB/P/11.119 - PVU-forordning (EU) 2016/425

AMERIKANSKE STANDARDER OG FORSKRIFTER

ANSI-ASC A14.3-2008 - Stiger-faste-sikkerhetskrav

ANSI/ASSE Z359.16-2016 - Sikkerhetskrav for fallsikringsystemer for klatrestige OSHA 1910.29 & 1926.502

KANADISKE STANDARDER

CSA Z259.2.5-17 - Fallsikringer og vertikale livlinjer

BRASILSKE STANDARDER

NBR 14627 - Equipamento de proteção individual contra queda de altura - Travaquada guiado em linha rígida

2 SYSTEM

Söll VC500-seriens falldempere kan brukes med et Söll Vi-Go/Antec CABMAX vertikalt fallsikringsystem (heretter kalt «fallsikringsystemet») og oppfyller standarden som er angitt i følgende tabell:

		Söll Vi-Go-system			ANTEC Cabmax
		med toppstøtdemper	med toppstøtdemper FPH_30176	med toppstøtdemper type TRTB/	
Fallfanger	Söll VC510	<ul style="list-style-type: none"> • ANSI A14.3-2018 • OSHA 1910.29 & 1926.502 • EN 353-1+A1:2017-12 • UKCA 	<ul style="list-style-type: none"> • ANSI A14.3-2018* • OSHA 1910.29 & 1926.502* 	<ul style="list-style-type: none"> • ANSI A14.3-2018 • OSHA 1910.29 & 1926.502 	<ul style="list-style-type: none"> • EN 353-1+A1:2017-12
	Söll VC570	<ul style="list-style-type: none"> • ANSI Z359.16-2016 • OSHA 1910.29 & 1926.502 • CSA Z259.2.5-17 • EN 353-1+A1:2017-12 • UKCA 	<ul style="list-style-type: none"> • ANSI Z359.16-2016* • OSHA 1910.29 & 1926.502* 	<ul style="list-style-type: none"> • ANSI Z359.16-2016 • OSHA 1910.29 & 1926.502 • CSA Z259.2.5-17 	X

*Kun med 10 mm (3/8 tommes) kabler og komponenter i rustfritt stål.

Alle falldempere i Söll VC500-serien kan brukes med vertikale fallsikringsystemer med automatiske eller manuelle gjennomføringsbraketter, med 8 mm (5/16") eller 10 mm (3/8") kabler. For ytterligere informasjon se installasjonsveiledningen for Söll Vi-Go-systemet.

3 SIKKERHETSTILTAK

Alle som arbeider med eller på fallsikringssystemet må være kjent med disse instruksjonene før systemet tas i bruk. Fallsikringsutstyret skal ikke brukes utenfor dets begrensninger, eller til andre formål enn det det er beregnet for. Bruk som ikke er i samsvar med disse instruksjonene utgjør en risiko for menneskeliv. Operatørene må gis opplæring i disse instruksjonene og brukerinformasjonen før arbeidet påbegynnes, og minst en gang i året. Sørg for at sikkerhetsfunksjonen til noen av komponentene ikke påvirkes av sikkerhetsfunksjonen til en annen, og at de ikke forstyrrer hverandre. Hvis produktet selges utenfor det første destinasjonslandet, må forhandleren sørge for at produktet er i samsvar med gjeldende lover i det landet og gi instruksjoner for produktet på riktig språk.

Operatøren av fallsikringssystemet samt brukeren av falldemperen må sørge for at denne håndboken alltid er forsvart oppbevart og tilgjengelig for konsultasjon til enhver tid.

Nasjonale forskrifter om forebygging av ulykker og bruk av sikkerhetsutstyr ved anleggsarbeid skal følges.

Den guidede typen falldemper er en integrert del av fallsikringssystemet i samsvar med EN 353-1:2014+A1:2017, CSA Z259.2.5-17, ANSI A14.3-2008 og ANSI Z359.16-2016, og er designet for bruk som personlig sikkerhetsutstyr. For å sikre riktig bruk av fallsikringssystemet, må operatøren sørge for at helkroppsselen og falldemperen brukes i henhold til disse instruksjonene. Etter bruk må ikke falldemperen stå koblet til det sikre klatresystemet. Falldemperen må kun brukes i det originale fallsikringssystemet. Helkroppsselle er den eneste akseptable kroppholderen som kan brukes i et fallsikringssystem. Det trygge klatresystemet må kun brukes sammen med helkroppsseler som er kontrollert og godkjent i henhold til EN 361:2002-05, NBR 15836, CSA Z259.2.5-17 eller ANSI Z359.16-2016 og er utstyrt med med et festepunkt foran.

For å oppnå forbindelse mellom falldemperen og helkroppsselen, kobles karabinkroken til falldemperen til den sertifiserte forankringsringen merket med «A» (kun aktuelt i samsvar med EN 361:2002-05) på brystdelen av helkroppsselen. Avstanden mellom falldemperen og helkroppsselen må ikke minimeres eller forstørres (f.eks. ved å legge til eller fjerne en kobling).

Lengden på karabinkroken må ikke forlenges eller forkortes.

Maksimalt 4 brukere kan kobles til systemet samtidig (inkludert brukerne som er knyttet til ankerpunktet, når plattformutvidelsen er i bruk). Bortsett fra ved redningsoperasjoner, bør kun én person om gangen bruke samme segment av vertikal kabel mellom mellombrakettene for kabelføringer. Hver bruker må sikres til en separat fallsikring. Den guidede falldemperen kan **kun brukes av én person**. Avstanden mellom brukerne **må ikke være mindre enn 3 m / 10 fot** (fig. 1). Det faktiske antallet brukere avhenger av bæreevnen til grunnkonstruksjonen. Minste belastning for brukeren unntatt klær og utstyr er **50 kg / 110 lb**. Maksimal belastning for brukeren inkludert klær og utstyr er **140 kg / 310 lb** og må ikke overskrides.

Den styrte typen falldemper skal ikke brukes til arbeidsposisjonering. Dersom arbeidsposisjonering er nødvendig, skal det benyttes arbeidsposisjoneringssystemer.

Falldemperen skal ikke berøres under opp-/nedstigning for å ivareta sikkerheten.

Festepunktene for kabelen til fallsikringssystemet må ikke brukes til sikring av last.

Før og under bruk av det installerte fallsikringssystemet, må systemet inspiseres visuelt for å sikre at det fungerer som det skal.

Arbeidstemperatur er **-40 °C til +70 °C / -40 °F til 158 °F**; sørg for at systemet er fritt for fett, olje og is. Operatøren må rådføre seg med lege og må ikke være påvirket av alkohol, narkotika eller medisiner som kan påvirke sikker bruk av produktet.



Viktig!

Brukeren er kanskje ikke tilstrekkelig beskyttet mot å treffe bakken eller eventuelle hindringer hvis i en høyde mindre enn 3 m / 10 fot. Før du bruker det sikre klatresystemet, sørg for å overholde krav til hindringsfritt område under brukerens føtter.



Advarsel

Før man bruker denne falldemperen, må brukeren lese og forstå denne bruksanvisningen og eventuelle tilleggsinstruksjoner gitt under opplæring eller gitt med falldemperen eller fallsikringssystemet.



Advarsel

Eventuelle endringer eller tillegg til Söll VC500-seriens falldemper uten produsentens skriftlige godkjenning kan forhindre at falldemperen fungerer som den skal og er derfor forbudt.

OPPBEVAR DENNE MANUALEN FOR FREMTIDIG BRUK – IKKE KASTE DEN!

4 PLATTFORMFORLENGELSE FOR ANKERENHET

Honeywell Söll Vi-Go-plattformforlengelsen er et sertifisert forankringspunkt for fallsikring for:

- **2 personer** i henhold til EN 795:2012 og CEN/TS 16415:2013
- **1 person** i henhold til ANSI Z359.18.

Øyet til ankerstålplaten (fig. 2, pos. 1) fungerer som et ankerpunkt.

Derfor kan brukeren beskyttes mot å falle ved overgang fra vertikal til horisontal fremdrift. Snublepunkter i inngangs- og arbeidsområdet må unngås.



Advarsel!

Ankeranordningen må ikke brukes hvis ankerøyet har blitt belastet av et fall. I dette tilfellet må ankeranordningen kontrolleres av en autorisert person og om nødvendig skiftes ut.

Ankeranordningens plattformforlengelse kan kun brukes i kombinasjon med følgende sikkerhetsutstyr:

- Personlige fallsikringsystemer i henhold til EN 363 eller ANSI/ASSP Z359.1:2020-00
- Energiabsorbenter i henhold til EN 355 eller ANSI/ASSP Z359.13:2013-00
- Rdningsystemer i henhold til EN 1496 eller ANSI/ASSP Z359.4:2013-00, EN 1479, EN 1498 og ANSI/ASSP Z359.4:2013-00

Systemet med personlig verneutstyr mot fall (kun med energiabsorbent) eller redningsssystem skal velges slik at en kollisjon av brukeren med bakken eller kollisjon med andre hindringer kan unngås. Følg produsentens bruksanvisning.

For å sikre mot fall må karabinkroken (fig. 3, pos. 2) til en koblingsanordning monteres på øyet til ankerstålplaten (fig. 3, pos. 1) og låses for å unngå utilsiktet frakobling.



Fare!

Karabinkroken til koblingsanordningen må ikke kobles fra ankeranordningen før brukeren er beskyttet av en annen løsning mot fall.

5 BRUK



Viktig!

5.1 INSPEKSJON FØR KLATRING:

- Før hver bruk, inspiser kabelen, kabelspenningen, falldemperen og karabinkroene for brukbarhet.
- Fallsikringsystemet skal ikke brukes dersom det er konstatert feil eller ved tvil om funksjonen. Før videre bruk er det nødvendig med en inspeksjon av en autorisert person og de defekte delene må skiftes ut.
- En redningsplan må foreligge før bruk av fallsikringsystemet.



Advarsel

Hvis selen blir løs under opp- eller nedstigning, finn en sikker posisjon og juster den riktig.

Ved arbeid i eller ved siden av oppstigningsruten og under jobber og handlinger som ikke er en del av de vanlige opp- og nedstigningsbevegelsene, må klatreren i tillegg sikre seg med en snor i henhold til EN 354 eller arbeidsposisjoneringssnoren i henhold til EN 358 :2018-11 eller ANSI/ASSP Z 359.4:2013-00. Dette gjelder også for tomgangsstillinger mens du hviler på fallsikringsstigen. Kun egnede forankringsanordninger må brukes. I alle disse situasjonene må snoren holdes stram for å forhindre fall.



Viktig!

Falldemperen i Söll VC500-serien må kun brukes med systemer med en helning på maks. 15° fra vertikalen i alle retninger.



Viktig!

Falldemperen i henhold til EN 353-1+A1:2017-12, CSA Z259.2.5-17, ANSI A14.3-2008, ANSI Z359.16-2016, og NBR 14627 skal kun brukes av personer som:

- Har fått opplæring eller på annen måte er autorisert
- Får tilsyn direkte av en opplært eller autorisert person.

5.2 TILKOBLING TIL SYSTEMET:

- Designet gjør det mulig å feste på en **8 mm (5/16 tommer)** eller **10 mm (3/8 tommer)** kabler i galvanisert eller rustfritt stål som er en del av Söll Vi-Go-systemet.
- Falldemperen har en mekanisme som bidrar til å forhindre at falldemperen festes feil til kabelen.

5.3 KOBLING AV FALLSTILLEREN TIL HELE KROPPSELEN:

- Trekk ned den riflede bæssingen til karabinkroken.
- Vri deretter den riflede bæssingen og press den innover.
- Fest den direkte til brystforbindelsen til helkroppsselen.
- Slipp den riflede bæssingen, den låser seg automatisk.

**Fare!**

En usikret karabinkrok (åpen riflet bøsning) er farlig for menneskeliv. Mage- eller thoraxstroppen til helkroppsselen må passe tett til kroppen (fig. 4).

**Fare!**

Karabinkroken til falldemperen må settes direkte inn i brystfestepunktet på helkroppsselen (fig. 5, 6, 7).

5.4 INNLEGGING I STYREKABELEN**VC510**

- Hold fallsikringen slik at pilen på huset peker oppover.
- Løft karabinkroken med bremsespaken opp (fig. 8a).
- Trekk låseknappen bort fra fallsikringen, og skyv den deretter bort fra kabelen (fig. 8b).
- Gjennom det nå åpne gapet i foringsrøret til falldemperen, plasser falldemperen på kabelen slik at pilen på foringsrøret peker oppover (fig. 8c).
- Slipp bremsespaken og låseknappen.
- Söll VC510 er nå koblet til guidekabelen.
- Sjekk om fallsikringen fritt kan gli vertikalt på styrekabelen.
- Kontroller funksjonen til låse- og låsemekanismen ved å flytte bremsespaken.

VC570

- Hold fallsikringen slik at pilen på huset peker oppover.
- Løft karabinkroken med bremsespaken opp (fig. 9a).
- Trykk den øverste knappen ned, inn i kroppen til fallsikringen (fig. 9b, pos. 1).
- Trykk avtrekkeren inn i kroppen til fallsikringen (fig. 9b, pos. 2).
- Gjennom det nå åpne gapet i foringsrøret til falldemperen, plasser falldemperen på kabelen slik at pilen på foringsrøret peker oppover (fig. 9c).
- Slipp bremsespaken, knappen og avtrekkeren.
- Söll VC570 er nå koblet til guidekabelen.
- Sjekk om fallsikringen fritt kan gli vertikalt på styrekabelen.
- Kontroller funksjonen til låse- og låsemekanismen ved å flytte bremsespaken.

5.5 FJERNE FALLHEMMEREN FRA STYREKABELEN**Advarsel!**

Før du fjerner falldemperen fra den vertikale kabelen eller løsner fra selen, må brukere sikres og beskyttes mot fall fra høyden ellers!

VC510

- Løft karabinkroken med bremsespaken opp.
- Trekk låseknappen bort fra fallsikringen, og skyv den deretter bort fra kabelen.
- Fjern fallsikringen gjennom det nå åpne gapet i huset til fallsikringen.
- Slipp bremsespaken og låseknappen.

VC570

- Løft karabinkroken med bremsespaken opp.
- Trykk den øverste knappen ned, inn i kroppen til falldemperen.
- Trykk avtrekkeren inn i kroppen til falldemperen.
- Fjern fallsikringen gjennom det nå åpne gapet i huset til fallsikringen.
- Slipp bremsespaken, knappen og avtrekkeren.

6 UNDERSØKELSE

Brukernes sikkerhet avhenger av kontinuerlig effektivitet og holdbarhet i utstyret. Avhengig av lokal lovgivning, bruksfrekvens og miljøforhold, må falldemperne inspiseres av en kompetent person regelmessig og minst hver 12. måned i henhold til ANSI Z359 / EN 365. De periodiske inspeksjonene skal kun utføres av en kompetent person og strengt i samsvar med produsentens prosedyrer for periodiske inspeksjon.

Før hver bruk og under den periodiske inspeksjonen må falldemperen inspiseres visuelt for å sikre at:

- Avstanden mellom låsemekanismen og fallsikringshuset ikke er mer enn 5 mm / 0,118 in (fig. 10).
- Avstanden mellom absorberlukkene er mindre enn 2 mm (fig. 11).
- Det ikke er tegn til slitasje, skade eller annen forringelse.
- Produktetikettene/merkingene er leselige.

Hvis kravene ovenfor ikke er oppfylt, må falldemperen tas ut av drift og erstattes eller repareres. Reparasjoner kan kun utføres av produsenten.



Advarsel!

En falldemper som har dempet en brukers fall fra høyde skal tas ut av drift.

7 VEDLIKEHOLD

RENGJØRING

Rengjør med vann. Ikke bruk løsemidler eller syre/alkaliske rengjøringsmidler under noen omstendigheter. La utstyret tørke naturlig i et godt ventilert område vekk fra åpen ild eller andre varmekilder.

LEVETID

Riktig pleie av PVU vil bidra til å sikre bedre produktlevetid og din sikkerhet.

Driftslevetiden til falldemperen avhenger av bruksfrekvensen og driftsforholdene. Under årlige inspeksjoner utført av en autorisert person eller instans, vil falldemperen kun frigis for videre bruk dersom produktet og dets komponenter er i god stand.

TRANSPORT OG LAGRING

Under transport og lagring, sørg for at din PVU er plassert vekk fra varmekilder, fuktighet, korrosiv atmosfære, ultrafiolette stråler osv., og unngå støt eller overdreven vibrasjon.

8 VAREBEHANDLING

VC510 og VC570 har unike serienumre på siden av den ytre delen (se produktmerking, punkt «N»).

RFID

VC570 har en RFID (Radio Frequency Identification)-brikke som inneholder et unikt identifikasjonsnummer som kan brukes til aktivasjon i henhold til ISO 18000-63. RFID tillater raske feltinspeksjoner og spesifiserer informasjon inkludert modellnummer, produksjonsdato, inspeksjon/parti

antall, og standarder oppfylt. I tillegg til typen leser og RFID-brikke, varierer den optimale RFID-leseavstanden avhengig av leser, tag-orientering og materiale.

RFID-brikken plasseres under plastdekslet til falldemperen – se produktmerking.



SPEKIFIKASJON

- Frekvens Global: 840 ~ 940 MHz
- Minne EPC 128bit, TID: 96bit
- Datalagring: 20 år

ANBEFALINGER

Etter å ha rengjort ditt PVU, skann RFID-brikken din for å bekrefte at den ikke er skadet.

9 MILJØVERN



WEEE-symbolet indikerer at dette produktet ikke kan behandles som husholdningsavfall.

For å beskytte miljøet, sørg for at produktet avhendes på riktig måte. For mer detaljert informasjon om resirkulering av dette produktet, kontakt lokale myndigheter, husholdnings-/industriavfallstjenestelev, randøren din eller salgsstedet for produktet.

Söll VC500 – Urządzenie samozaciskowe z prowadnicą do pionowego systemu zabezpieczającego przed upadkiem z wysokości Söll Vi-Go/ Antec CABMAX

1 INFORMACJE OGÓLNE

ODNIESIENIA NORMATYWNE

Do niniejszego produktu mają zastosowanie poniższe normy i dyrektywy. Obowiązkiem użytkownika jest zachowanie zgodności z odpowiednimi normami określonymi w niniejszej instrukcji. Poniższe grupy odniesienia do norm/dyrektyw mają zastosowanie w zależności od rynku, np. jeśli produkt jest używany w Unii Europejskiej (UE), użytkownik musi zachować zgodność z normami/dyrektywami UE, a wszystkie inne normy wymienione w instrukcji obsługi nie są istotne. W niniejszym dokumencie sztywna prowadnica jest również określana jako „kabel” lub „kabel prowadzący”.

NORMY EUROPEJSKIE

EN 353-1+A1:2017-12 – Środki ochrony indywidualnej przed upadkiem z wysokości – Urządzenia samozaciskowe z prowadnicą – Część 1: Urządzenia samozaciskowe ze sztywną prowadnicą
CNB/P/11.119 - Rozporządzenie w sprawie ŚOI (UE) 2016/425

NORMY I PRZEPISY AMERYKAŃSKIE

ANSI-ASC A14.3-2008 – Drabiny – Stałe – Wymagania bezpieczeństwa
ANSI/ASSE Z359.16-2016 – Wymagania bezpieczeństwa dotyczące systemów zabezpieczających przed upadkiem z drabiny wspinaczkowej OSHA 1910.29 i 1926.502

NORMY KANADYJSKIE

CSA Z259.2.5-17 – Urządzenia samozaciskowe i pionowe liny asekuracyjne

NORMY BRAZYLIJSKIE

NBR 14627 – Equipamento de proteção individual contra queda de altura – Travaquedado guiado em linha rígida

2 SYSTEM

Urządzenia samozaciskowe serii Söll VC500 mogą być stosowane z pionowym systemem zabezpieczającym przed upadkiem z wysokości Söll Vi-Go/Antec CABMAX (zwanym dalej „systemem zabezpieczającym przed upadkiem z wysokości”) i spełniają wymagania normy podanej w poniższej tabeli:

		Söll Vi-Go system			ANTEC Cabmax
		bez górnego amortyzatora	z górnym amortyzatorem FPH_30176	z górnym amortyzatorem typu TRTB/	
Urządzenie samozaciskowe	Söll VC510	<ul style="list-style-type: none"> • ANSI A14.3-2018 • OSHA 1910.29 & 1926.502 • EN 353-1+A1:2017-12 • UKCA 	<ul style="list-style-type: none"> • ANSI A14.3-2018* • OSHA 1910.29 & 1926.502* 	<ul style="list-style-type: none"> • ANSI A14.3-2018 • OSHA 1910.29 & 1926.502 	<ul style="list-style-type: none"> • EN 353-1+A1:2017-12
	Söll VC570	<ul style="list-style-type: none"> • ANSI Z359.16-2016 • OSHA 1910.29 & 1926.502 • CSA Z259.2.5-17 • EN 353-1+A1:2017-12 • UKCA 	<ul style="list-style-type: none"> • ANSI Z359.16-2016* • OSHA 1910.29 & 1926.502* 	<ul style="list-style-type: none"> • ANSI Z359.16-2016 • OSHA 1910.29 & 1926.502 • CSA Z259.2.5-17 	X

*Tylko dla kabli i komponentów ze stali nierdzewnej o średnicy 10 mm (3/8 cala).

Wszystkie urządzenia samozaciskowe serii Söll VC500 mogą być używane z pionowymi systemami zabezpieczającymi przed upadkiem z wysokości z automatycznymi lub ręcznymi mocowaniami przelotowymi, z kablami 8 mm (5/16”) lub 10 mm (3/8”). Więcej informacji można znaleźć w instrukcji instalacji systemu Söll Vi-Go.

3 ŚRODKI OSTROŻNOŚCI

Osoby pracujące z użyciem systemu zabezpieczającego przed upadkiem z wysokości przed przystąpieniem do pracy muszą zapoznać się z niniejszą instrukcją. Urządzeń samozaciskowych nie wolno jest wykorzystywać do celów wykraczających poza zakres ich przewidzianego funkcjonowania ani do żadnych celów niezgodnych

z przeznaczeniem. Użycie niezgodne z instrukcją stwarza zagrożenie dla życia ludzi! Osoby korzystające z wyposażenia muszą odbyć szkolenie obejmujące niniejsze instrukcje oraz informacje dla użytkownika zanim przystąpią do pracy, a następnie nie rzadziej niż raz do roku. Należy upewnić się, że funkcja bezpieczeństwa żadnego z elementów nie jest zakłócana przez funkcję bezpieczeństwa innego elementu i że nie kolidują one ze sobą. Jeśli produkt jest sprzedawany poza pierwszym krajem przeznaczenia, odsprzedawca musi upewnić się, że produkt jest zgodny z prawem obowiązującym w tym kraju i dostarczyć instrukcje dotyczące produktu w odpowiednim języku.

Operator systemu zabezpieczającego przed upadkiem z wysokości, a także użytkownik urządzenia samozaciskowego, muszą zagwarantować, iż niniejsza instrukcja będzie zawsze odpowiednio przechowywana oraz będzie przez cały czas dostępna do wglądu.

Należy przestrzegać krajowych przepisów dotyczących zapobiegania wypadkom i stosowania środków ochrony podczas prac budowlanych.

Urządzenie samozaciskowe z prowadnicą stanowi integralną część systemu zabezpieczającego przed upadkiem z wysokości zgodnie z normami EN 353-1:2014+A1:2017, CSA Z259.2.5-17, ANSI A14.3-2008 oraz ANSI Z359.16-2016 i jest przeznaczone do stosowania jako środek ochrony indywidualnej. W celu zapewnienia prawidłowego użycia systemu zabezpieczającego przed upadkiem operator musi upewnić się, że pełna uprząż i urządzenie samozaciskowe są stosowane zgodnie z niniejszą instrukcją. Po użyciu nie należy pozostawiać urządzenia samozaciskowego przymocowanego do systemu zapewniającego bezpieczeństwo podczas wspinania się. Urządzenie samozaciskowe musi być eksploatowane wyłącznie w oryginalnym systemie zabezpieczającym przed upadkiem z wysokości. W systemie asekuracyjnym można zastosować wyłącznie pełną uprząż. Z systemu zapewniającego bezpieczeństwo podczas wspinania się należy korzystać jedynie w połączeniu z pełną uprzążą, która została skontrolowana i zatwierdzona zgodnie z EN 361:2002-05, NBR 15836, CSA Z259.2.5-17 lub ANSI Z359.16-2016 oraz jest wyposażona w przedni punkt mocowania.

Aby uzyskać połączenie między urządzeniem samozaciskowym a pełną uprzążą, należy podłączyć karabińczyk urządzenia samozaciskowego do certyfikowanego pierścienia kotwiczącego oznaczonego literą „A” (ma zastosowanie wyłącznie w przypadku zgodności z normą EN 361:2002-05) w części mostkowej pełnej uprząży. Nie należy zmieniać wielkości odstępów pomiędzy urządzeniem samozaciskowym a uprzążą (np. poprzez dodanie lub usunięcie złączy).

Nie należy wydłużać ani skracać karabińczyka.

Do systemu można jednocześnie podłączyć **maksymalnie 4 użytkowników** (w tym użytkowników podłączonych do punktu kotwiczenia, gdy używane jest rozszerzenie platformy). Z wyjątkiem działań ratowniczych, tylko jedna osoba jednocześnie powinna używać tego samego segmentu pionowego kabla między uchwytami pośrednimi do prowadnic kablowych. Poszczególni użytkownicy muszą być zabezpieczeni za pomocą oddzielnych urządzeń samozaciskowych. Urządzenie samozaciskowe z prowadnicą jest przeznaczone **wyłącznie dla 1 osoby**. Odległość między użytkownikami **nie może być mniejsza niż 3 m / 10 stóp** (rys. 1). Rzeczywista liczba użytkowników zależy od nośności konstrukcji podstawowej.

Minimalne obciążenie użytkownika z wyłączeniem odzieży i wyposażenia wynosi **50 kg / 110 lb**. Maksymalne obciążenie użytkownika, w tym odzieży i sprzętu, wynosi **140 kg / 310 lb** i nie może być przekroczone.

Urządzenie samozaciskowe nie może być używane do ustalania pozycji pracy. Jeśli wymagane jest ustalenie pozycji pracy, należy użyć sprzętu do ustalania pozycji pracy.

Aby zapewnić bezpieczeństwo, nie należy dotykać urządzenia samozaciskowego podczas wchodzenia lub schodzenia.

Punktów mocowania kabli systemu zabezpieczającego przed upadkiem z wysokości nie należy wykorzystywać do zabezpieczania ładunków.

Przed oraz podczas korzystania z zamontowanego systemu urządzenia samozaciskowego należy skontrolować je wzrokowo, aby upewnić się, iż działa prawidłowo.

Temperatura pracy musi mieścić się w zakresie od **-40°C do +70°C / -40°F do 158°F**. Należy upewnić się, że system jest wolny od smaru, oleju i lodu. Operator musi skonsultować swój stan zdrowia z lekarzem i nie może być pod wpływem alkoholu, narkotyków lub leków, które mogłyby mieć wpływ na bezpieczną eksploatację produktu.



Ważne!

Użytkownik może nie być wystarczająco zabezpieczony przed uderzeniem o podłoże lub przeszkodę, jeżeli znajduje się na wysokości mniejszej niż 3 m / 10 stóp. Przed użyciem systemu zapewniającego bezpieczeństwo podczas wspinania należy upewnić się, że pod stopami użytkownika znajduje się wymagana wolna przestrzeń.



Ostrzeżenie

Przed użyciem urządzenia samozaciskowego obowiązkiem użytkownika jest zapoznanie się z niniejszą instrukcją obsługi oraz wszelkimi dodatkowymi instrukcjami zapewnionymi podczas szkolenia lub złączonymi do urządzenia samozaciskowego albo do systemu zabezpieczającego przed upadkiem z wysokości.



Ostrzeżenie

Wszelkie zmiany lub dodatki do urządzenia samozaciskowego serii Söll VC500 wprowadzane bez pisemnej zgody producenta mogą uniemożliwić prawidłowe działanie urządzenia samozaciskowego i są wobec tego zabronione.

ZACHOWAĆ NINIEJSZĄ INSTRUKCJĘ DO PRZYSZŁEGO WYKORZYSTANIA – NIE WYRZUCAĆ!

4 PRZEDŁUŻENIE PLATFORMY URZĄDZENIA KOTWICZĄCEGO

Przedłużenie platformy Honeywell Söll Vi-Go jest certyfikowanym punktem kotwienia do ochrony przed upadkiem z wysokości dla:

- 2 osób zgodnie z EN 795:2012 i CEN/TS 16415:2013
- 1 osoby zgodnie z ANSI Z359.18.

Ucho stalowej płyty kotwiczącej (rys. 2, poz. 1) służy jako punkt kotwienia.

Dzięki temu użytkownik może być chroniony przed upadkiem podczas przechodzenia z systemu pionowego do poziomego. Należy unikać punktów potknięcia w obszarze wejściowym i roboczym.



Ostrzeżenie!

Urządzenia kotwiczącego nie wolno jest używać, jeśli ucho do kotwienia zostało naprężone wskutek upadku. W takim przypadku urządzenie kotwiczące musi zostać sprawdzone przez upoważnioną osobę i w razie potrzeby wymienione.

Przedłużenie platformy urządzenia kotwiczącego może być używane wyłącznie w połączeniu z poniższymi zabezpieczeniami:

- środki ochrony indywidualnej chroniące przed upadkiem z wysokości zgodne z normą EN 363 lub ANSI/ASSP Z359.1:2020-00
- amortyzatory zgodne z normą EN 355 lub ANSI/ASSP Z359.13:2013-00
- sprzęt ratowniczy zgodny z normą EN 1496 lub ANSI/ASSP Z359.4:2013-00, EN 1479, EN 1498 oraz ANSI/ASSP Z359.4:2013-00

Środki ochrony indywidualnej chroniące przed upadkiem z wysokości (tylko z amortyzatorem) lub sprzęt ratowniczy należy dobrać w taki sposób, aby można było uniknąć kolizji użytkownika z podłożem lub kolizji z innymi przeszkodami. Postępować zgodnie z instrukcjami od producenta.

W celu zabezpieczenia przed upadkiem hak karabińczyka (rys. 3, poz. 2) urządzenia łączącego musi być zainstalowany na uchu stalowej płyty kotwiczącej (rys. 3, poz. 1) i zablokowany, aby uniknąć niezamierzonego rozłączenia.



Niebezpieczeństwo!

Hak karabińczyka urządzenia łączącego nie może być odłączony od urządzenia kotwiczącego przed zabezpieczeniem użytkownika za pomocą innego rozwiązania chroniącego przed upadkiem z wysokości.

5 UŻYTKOWANIE



Ważne!

5.1 KONTROLA PRZED WSPINACZKĄ:

- Przed każdym użyciem należy sprawdzić kabel, jego napięcie, urządzenie samozaciskowe oraz karabińczyki pod kątem zdatności do użytku.
- Nie należy korzystać z systemu zabezpieczającego przed upadkiem, jeśli dostrzeżono defekty lub w razie wątpliwości co do prawidłowości jego działania. Przed dalszym użytkowaniem konieczna jest inspekcja ze strony upoważnionej osoby, a uszkodzone części należy wymienić.
- Przed użyciem systemu zabezpieczającego przed upadkiem z wysokości należy opracować plan ratunkowy.



Ostrzeżenie

Jeśli uprząż poluzuje się podczas wchodzenia lub schodzenia, należy uzyskać bezpieczną pozycję i prawidłowo ją wyregulować.

Podczas pracy na lub obok drogi wchodzenia, a także podczas czynności niebędących częścią zwykłych ruchów wchodzenia lub schodzenia, osoba wspinająca się musi dodatkowo zabezpieczyć się za pomocą linki bezpieczeństwa zgodnie z EN 354 lub linki służącej do ustalania pozycji pracy zgodnej z EN 358:2018-11 lub ANSI/ASSP Z 359.4:2013-00. Dotyczy to także pozycji spoczynkowych podczas odpoczynku na drabinie systemu zabezpieczającego przed upadkiem z wysokości. Należy wykorzystywać do tego jedynie odpowiednie urządzenia kotwiczące. We wszystkich tych sytuacjach należy mocno trzymać linkę bezpieczeństwa, aby nie doszło do upadku.



Ważne!

Urządzenia samozaciskowe serii Söll VC500 mogą być używane tylko z systemami o nachyleniu maks. 15° od pionu we wszystkich kierunkach.



Ważne!

Urządzenie samozaciskowe wg EN 353-1+A1:2017-12, CSA Z259.2.5-17, ANSI A14.3-2008, ANSI Z359.16-2016,

i NBR 14627 może być stosowane wyłącznie przez osoby, które:

- przeszły szkolenie lub w inny sposób zdobyły stosowne upoważnienie;
- są bezpośrednio nadzorowane przez przeszkoloną lub kompetentną osobę.

5.2 PODŁĄCZENIE DO SYSTEMU:

- Konstrukcja umożliwia mocowanie na kablach ocynkowanych 8 mm (5/16") lub 10 mm (3/8") lub ze stali nierdzewnej, które są częścią systemu Söll Vi-Go.
- Urządzenie samozaciskowe jest wyposażone w mechanizm, który zapobiega nieprawidłowemu przymocowaniu urządzenia do kabla.

5.3 ŁĄCZENIE URZĄDZENIA SAMOZACISKOWEGO Z PEŁNĄ UPRZĘŻĄ:

- Pociągnąć karbowaną tulejkę na karabińczyku.
- Obrócić tulejkę i wcisnąć ją do środka.
- Przymocować karabińczyk bezpośrednio do połączenia mostkowego pełnej uprząży.
- Zwolnić tulejkę, która zablokuje się automatycznie.



Niebezpieczeństwo!

Niebezpieczny karabińczyk (otwarta karbowana tulejka) stwarza zagrożenie dla ludzkiego życia.

Pasek brzuszny lub piersiowy pełnej uprząży musi ściśle przylegać do ciała (rys. 4).



Niebezpieczeństwo!

Karabińczyk urządzenia samozaciskowego musi być bezpośrednio włożony do punktu mocowania w części mostkowej pełnej uprząży (rys. 5, 6, 7).

5.4 WKŁADANIE KABLA PROWADZĄCEGO

VC510

- Trzymaj ogranicznik upadku tak, aby strzałka na obudowie była skierowana w górę.
- Podnieść karabińczyk z dźwignią hamującą skierowaną w górę (rys. 8a).
- Odchylić pokrętko blokujące od urządzenia samozaciskowego, a następnie odsunąć je od kabla (rys. 8b).
- Przez nowopowstały otwór w obudowie urządzenia samozaciskowego należy umieścić urządzenie samozaciskowe na kablu w taki sposób, aby strzałka na obudowie była skierowana w górę (rys. 8c).
- Zwolnić dźwignię hamującą i pokrętko blokujące.
- Urządzenie Söll VC510 zostało podłączone do kabla prowadzącego.
- Należy sprawdzić, czy urządzenie samozaciskowe swobodnie przesuwa się w pionie po kablu prowadzącym.
- Sprawdzić działanie mechanizmu blokującego i chwytającego poprzez przesunięcie dźwigni hamującej.

VC570

- Trzymaj ogranicznik upadku tak, aby strzałka na obudowie była skierowana w górę.
- Podnieść karabińczyk z dźwignią hamującą skierowaną w górę (rys. 9a).
- Wcisnąć górny przycisk w dół, w obudowę urządzenia samozaciskowego (rys. 9b, poz. 1).
- Wcisnąć element wyzwalający w obudowę urządzenia samozaciskowego (rys. 9b, poz. 2).
- Przez nowopowstały otwór w obudowie urządzenia samozaciskowego należy umieścić urządzenie samozaciskowe na kablu w taki sposób, aby strzałka na obudowie była skierowana w górę (rys. 9c).
- Zwolnić dźwignię hamulca, przycisk i element wyzwalający.
- Urządzenie Söll VC570 zostało podłączone do kabla prowadzącego.
- Należy sprawdzić, czy urządzenie samozaciskowe swobodnie przesuwa się w pionie po kablu prowadzącym.
- Sprawdzić działanie mechanizmu blokującego i chwytającego poprzez przesunięcie dźwigni hamującej.

5.5 ZDEJMOWANIE URZĄDZENIA SAMOZACISKOWEGO Z KABLA PROWADZĄCEGO:



Ostrzeżenie!

Przed zdjęciem urządzenia samozaciskowego z kabla prowadzącego lub odłączeniem go od uprząży użytkownik musi w inny sposób zabezpieczyć się przed upadkiem z wysokości!

VC510

- Podnieść karabińczyk z dźwignią hamującą skierowaną w górę.
- Odchylić pokrętko blokujące od urządzenia samozaciskowego, a następnie odsunąć je od kabla.
- Zdjąć urządzenie samozaciskowe przez nowopowstały otwór w obudowie urządzenia samozaciskowego.
- Zwolnić dźwignię hamującą i pokrętko blokujące.

VC570

- Podnieść karabińczyk z dźwignią hamującą skierowaną w górę.
- Wcisnąć górny przycisk w dół, w obudowę urządzenia samozaciskowego.
- Wcisnąć element wyzwalający w obudowę urządzenia samozaciskowego.
- Zdjąć urządzenie samozaciskowe przez nowopowstały otwór w obudowie urządzenia samozaciskowego.
- Zwolnić dźwignię hamulca, przycisk i element wyzwalający.

6 KONTROLA

Bezpieczeństwo użytkowników zależy od niezmiennej skuteczności i trwałości wyposażenia. W zależności od lokalnych przepisów, częstotliwości użytkowania i warunków środowiskowych, urządzenia samozaciskowe muszą być regularnie sprawdzane przez kompetentną osobę przynajmniej co 12 miesięcy, zgodnie z normą ANSI Z359 / EN 365. Kontrole okresowe może przeprowadzać jedynie kompetentna osoba, ściśle według procedur kontroli okresowych zapewnionych przez producenta.

Przed każdym użyciem oraz podczas kontroli okresowej urządzenie samozaciskowe należy poddać oględzinom w celu upewnienia się, że:

- szczelina między mechanizmem blokującym a obudową urządzenia samozaciskowego nie przekracza 5 mm / 0,118" (rys. 10);
- szczelina między pętlami amortyzatora jest mniejsza niż 2 mm / 0,08" (rys. 11);
- brak jest oznak zużycia, uszkodzenia lub innego pogorszenia stanu technicznego;
- etykiety/oznaczenia produktów są czytelne.

Jeśli powyższe wymagania nie są spełnione, urządzenie samozaciskowe należy wycofać z eksploatacji i wymienić lub naprawić. Naprawy mogą być prowadzone wyłącznie przez producenta.



Ostrzeżenie!

Urządzenie samozaciskowe, które zatrzymało upadek użytkownika z wysokości, należy wycofać z eksploatacji.

7 KONSERWACJA

CZYSZCZENIE

Wyczyścić wodą. Nigdy nie używać rozpuszczalników ani środków czyszczących zawierających kwasy/zasady. Pozostawić do wyschnięcia w dobrze wentylowanym miejscu, z dala od otwartego ognia lub innych źródeł ciepła.

TRWAŁOŚĆ UŻYTKOWA

Właściwa pielęgnacja środków ochrony indywidualnej pomoże zapewnić lepszą trwałość produktu i bezpieczeństwo.

Czas trwałości operacyjnej zależy od częstości używania oraz warunków pracy. Podczas dorocznej kontroli wykonywanej przez upoważnioną osobę lub jednostkę urządzenie samozaciskowe zostanie wydane do dalszego użytkowania wyłącznie, jeśli produkt i jego podzespoły są w dobrym stanie.

TRANSPORT I SKŁADOWANIE

Podczas transportu i składowania upewnij się, że ŚOI są umieszczone z dala od źródeł ciepła, wilgoci, atmosfery korozyjnej, promieni ultrafioletowych itp. oraz unikać uderzenia lub nadmiernych wibracji.

8 ZARZĄDZANIE MAGAZYNEM

VC510 i VC570 są oznaczone za pomocą niepowtarzalnego numeru seryjnego na boku obudowy zewnętrznej (patrz Oznakowanie produktu, punkt „N”).

RFID

VC570 zawiera znacznik RFID (Radio Frequency Identification) obejmujący niepowtarzalny numer identyfikacyjny, który może być używany do śledzenia zasobów zgodnie z normą ISO 18000-63.

Znacznik RFID umożliwia prowadzenie szybkich kontroli w terenie i podaje informacje, w tym numer modelu, datę produkcji, numer kontroli/partii i spełnione normy. Oprócz typu czytnika i znacznika RFID na optymalną odległość odczytu znacznika RFID mają wpływ sam czytnik, orientacja znacznika i materiał.

Znacznik RFID umieszczony jest pod plastikową osłoną urządzenia samozaciskowego – patrz oznakowanie produktu.



SPECYFIKACJA

- Częstotliwość globalna: 840 – 940 MHz
- Pamięć EPC 128 bitów, TID: 96 bit
- Przechowywanie danych: 20 lat

ZALECENIA

Po czyszczeniu ŚOI zeskanować znacznik RFID, aby sprawdzić, czy nie został uszkodzony.

9 OCHRONA ŚRODOWISKA



Symbol WEEE oznacza, że produktu nie wolno wyrzucać razem z odpadami z gospodarstwa domowego. Aby chronić środowisko, należy prawidłowo utylizować produkt. Aby uzyskać bardziej szczegółowe informacje na temat wtórnego przetwarzania tego produktu, należy skontaktować się z lokalnymi władzami, dostawcą usług związanych z utylizacją odpadów lub punktem, w którym zakupiono produkt.

Söll VC500 - Anti-queda do tipo guiado para o sistema anti-queda vertical Söll Vi-Go/Antec CABMAX

1 INFORMAÇÕES GERAIS

REFERÊNCIAS NORMATIVAS

Este produto é abrangido pela lista de normas e diretivas abaixo indicada. É da responsabilidade do utilizador cumprir as normas relevantes abordadas neste manual.

Os grupos de referência de normas/diretivas abaixo indicados são aplicáveis de acordo com o mercado, por exemplo, se o produto for utilizado na União Europeia (UE), o utilizador deve cumprir as normas/diretivas da UE e todas as outras normas mencionadas no manual do utilizador não são relevantes.

No presente documento, uma linha de ancoragem rígida é também designada por "cabo" ou "cabo guia".

NORMAS EUROPEIAS

EN 353-1+A1:2017-12 - Equipamento de proteção individual contra quedas - Anti-quedas do tipo guiado, incluindo um cabo de ancoragem - Parte 1: Anti-quedas do tipo guiado, incluindo uma linha de ancoragem rígida
 CNB/P/11.119 - Regulamento EPI (UE) 2016/425

NORMAS E REGULAMENTOS AMERICANOS

ANSI-ASC A14.3-2008 - Escadas fixas - Requisitos de segurança

ANSI/ASSE Z359.16-2016 - Requisitos de segurança para sistemas de proteção contra quedas de escadas de escalada OSHA 1910.29 & 1926.502

NORMAS CANADIANAS

CSA Z259.2.5-17 - Anti-quedas e linhas de vida verticais

NORMAS BRASILEIRAS

NBR 14627 - Equipamento de proteção individual contra queda de altura - pára-quedas guiado em linha rígida

2 SISTEMA

Os pára-quedas da série VC500 da Söll podem ser utilizados com um sistema de retenção de quedas verticais Vi-Go/Antec CABMAX da Söll (doravante designado "o sistema de retenção de quedas") e cumprem a norma indicada na tabela seguinte:

		Sistema Söll Vi-Go			ANTEC Cabmax
		sem amortecedor superior	com amortecedor superior FPH_30176	com amortecedor superior tipo TRTB/	
Anti-queda	Söll VC510	<ul style="list-style-type: none"> • ANSI A14.3-2018 • OSHA 1910.29 & 1926.502 • EN 353-1+A1:2017-12 • UKCA 	<ul style="list-style-type: none"> • ANSI A14.3-2018* • OSHA 1910.29 & 1926.502* 	<ul style="list-style-type: none"> • ANSI A14.3-2018 • OSHA 1910.29 & 1926.502 	• EN 353-1+A1:2017-12
	Söll VC570	<ul style="list-style-type: none"> • ANSI Z359.16-2016 • OSHA 1910.29 & 1926.502 • CSA Z259.2.5-17 • EN 353-1+A1:2017-12 • UKCA 	<ul style="list-style-type: none"> • ANSI Z359.16-2016* • OSHA 1910.29 & 1926.502* 	<ul style="list-style-type: none"> • ANSI Z359.16-2016 • OSHA 1910.29 & 1926.502 • CSA Z259.2.5-17 	X

*Apenas para cabos e componentes de aço inoxidável de 10 mm (3/8 pol.).

Todos os pára-quedas da série VC500 da Söll podem ser utilizados com sistemas de proteção contra quedas verticais com suportes de passagem automáticos ou manuais, com cabos de 8 mm (5/16") ou 10 mm (3/8"). Para mais informações, consulte o guia de instalação do sistema Söll Vi-Go.

3 PRECAUÇÕES DE SEGURANÇA

Qualquer pessoa que trabalhe com ou no sistema de retenção de queda deve estar familiarizado com estas instruções antes de usar o sistema. O equipamento anti-queda não deve ser usado fora de suas limitações, ou para qualquer finalidade diferente daquela a que se destina. O uso que não está de acordo com estas instruções constitui um risco para a vida humana. Os operadores devem receber formação sobre estas instruções e as informações ao utilizador antes de começarem a trabalhar, e novamente pelo menos uma vez por ano. Certifique-se de que a função de segurança de qualquer um dos componentes não seja afetada pela função de segurança de outro e que eles não interfiram entre si. Se o produto for vendido fora do primeiro país de destino, o revendedor deve garantir que o produto está em conformidade com a legislação aplicável nesse país e fornecer instruções para o produto na língua adequada.

O operador do sistema de retenção de queda, bem como o usuário do pára-quadras deve garantir que este manual é sempre devidamente armazenados e disponíveis para consulta em todos os momentos.

Os regulamentos nacionais sobre a prevenção de acidentes e a utilização de equipamentos de segurança para trabalhos de construção devem ser respeitados. O pára-quadras do tipo guiado é parte integrante do sistema de proteção contra quedas em conformidade com EN 353-1: 2014 + A1: 2017, CSA Z259.2.5-17, ANSI A14.3-2008 e ANSI Z359.16-2016, e é projetado para uso como equipamento de segurança pessoal. Para ajudar a garantir o uso adequado do sistema de retenção de queda, o operador deve garantir que o arnês de corpo inteiro e o pára-quadras sejam usados de acordo com estas instruções. Após o uso, o pára-quadras não deve ser deixado ligado ao sistema de escalada segura. O pára-quadras deve ser operado apenas no sistema original de prevenção de quedas. O arnês de corpo inteiro é o único dispositivo de retenção do corpo aceitável que pode ser usado num sistema anti-queda. O sistema de escalada seguro deve ser usado somente em conjunto com arneses de corpo inteiro que foram verificados e aprovados de acordo com EN 361:2002-05, NBR 15836, CSA Z259.2.5-17, ou ANSI Z359.16-2016 e estão equipados com um ponto de fixação frontal.

Para conseguir a união entre o travão de queda e o arnês de corpo inteiro, ligue o gancho do mosquetão do travão de queda ao anel de ancoragem certificado marcado com "A" (apenas aplicável quando em conformidade com a norma EN 361.2002-05) na parte externa do arnês de corpo inteiro. A distância entre o travão de queda e o arnês de corpo inteiro não deve ser minimizada ou aumentada (por exemplo, adicionando ou removendo um conector). O comprimento do mosquetão não deve ser aumentado ou diminuído.

Podem estar ligados ao sistema um **máximo de 4 utilizadores** em simultâneo (incluindo os utilizadores ligados ao ponto de ancoragem, quando a extensão da plataforma estiver a ser utilizada). Exceto em caso de operações de salvamento, apenas uma pessoa de cada vez deve utilizar o mesmo segmento de cabo vertical entre suportes intermédios para guias de cabos. Cada utilizador deve estar preso a um pára-quadras separado. O pára-quadras do tipo guiado destina-se a ser utilizado por **apenas 1 pessoa**. A distância entre os utilizadores não deve ser **inferior a 3 m / 10 pés** (Fig. 1). O número real de utilizadores depende da capacidade de carga da estrutura de base.

A carga mínima do utilizador, excluindo vestuário e equipamento, é de **50 kg / 110 lb**. A carga máxima do utilizador, incluindo vestuário e equipamento, é de **140 kg / 310 lb** e não deve ser excedida.

O pára-quadras do tipo guiado não deve ser utilizado para posicionamento no trabalho. Se for necessário um posicionamento no trabalho, deve ser utilizado um equipamento de posicionamento no trabalho.

O pára-quadras não deve ser tocado durante a subida/descida para garantir a segurança.

Os pontos de fixação do cabo do sistema anti-queda não devem ser utilizados para a fixação de cargas.

Antes e durante a utilização do sistema anti-queda instalado, o sistema deve ser inspecionado visualmente para garantir que está a funcionar corretamente.

A temperatura de funcionamento é **-40 °C to +70 °C / -40 °F to 158 °F**; assegurar que o sistema está isento de gordura, óleo e gelo. O operador deve consultar o seu médico sobre o seu estado de saúde e não deve estar sob a influência de álcool, drogas ou medicamentos que possam afetar a utilização segura do produto.



Importante!

O utilizador pode não estar suficientemente protegido contra embates no chão ou em obstáculos se estiver a uma altura inferior a 3 m / 10 pés. Antes de utilizar o sistema de escalagem segura, certifique-se de que existe o espaço livre necessário sob os pés do utilizador.



Aviso

Antes de usar este pára-quadras, o usuário deve ler e entender este manual de instruções e quaisquer instruções adicionais fornecidas durante o treinamento ou fornecidas com o pára-quadras ou o sistema de proteção contra quedas.



Aviso

Quaisquer alterações ou adições ao pára-quadras da série Sölll VC500 sem a aprovação por escrito do fabricante podem impedir que o pára-quadras funcione corretamente e, portanto, são proibidas.

GUARDE ESTE MANUAL PARA UTILIZAÇÃO FUTURA - NÃO O DEITE FORA!

4 EXTENSÃO DA PLATAFORMA DO DISPOSITIVO DE ANCORAGEM

A extensão da plataforma Honeywell Söll Vi-Go é um ponto de ancoragem certificado para proteção contra quedas para:

- 2 pessoas em conformidade com EN 795:2012 e CEN/TS 16415:2013
- 1 pessoa em conformidade com ANSI Z359.18.

O olhal da placa de aço de ancoragem (Fig. 2, Pos. 1) serve de ponto de ancoragem.

Assim, o utilizador pode ser protegido contra quedas durante a transição do progresso vertical para o horizontal. Devem ser evitados pontos de tropeço na entrada e na zona de trabalho.



Aviso!

O dispositivo de ancoragem não deve ser utilizado se o olhal de ancoragem tiver sido sujeito a tensão devido a uma queda. Neste caso, o dispositivo de ancoragem deve ser controlado por uma pessoa autorizada e, se necessário, substituído.

A extensão da plataforma do dispositivo de ancoragem só pode ser utilizada em combinação com os seguintes equipamentos de segurança:

- sistemas de proteção individual contra quedas, de acordo com EN 363 ou ANSI/ASSP Z359.1:2020-00
- absorvedores de energia em conformidade com EN 355 ou ANSI/ASSP Z359.13:2013-00
- sistemas de salvamento em conformidade com EN 1496 ou ANSI/ASSP Z359.4:2013-00, EN 1479, EN 1498 e ANSI/ASSP Z359.4:2013-00

O sistema de equipamento de proteção individual contra quedas (apenas com um absorvedor de energia) ou o sistema de salvamento devem ser escolhidos de forma a evitar a colisão do utilizador com o solo ou com outros obstáculos. Seguir as instruções de utilização do fabricante.

Para proteger contra a queda, o gancho de mosquetão (Fig. 3, Pos. 2) de um dispositivo de ligação deve ser instalado no olhal da placa de aço de ancoragem (Fig. 3, Pos. 1) e bloqueado para evitar a desconexão involuntária.



Perigo!

O mosquetão do dispositivo de ligação não deve ser desligado do dispositivo de ancoragem antes de o utilizador estar protegido por outra solução contra uma queda.

5 USO



Importante!

5.1 INSPEÇÃO ANTES DA SUBIDA:

- Antes de cada utilização, inspecionar o cabo, a tensão do cabo, o travão de queda e os mosquetões para verificar a sua utilidade.
- O sistema anti-queda não deve ser utilizado se apresentar defeitos ou em caso de dúvida quanto ao seu correcto funcionamento. Antes de continuar a utilizar o aparelho, é necessária uma inspeção por uma pessoa autorizada e as peças defeituosas devem ser substituídas.
- Deve ser implementado um plano de salvamento antes da utilização do sistema anti-queda.



Aviso!

Se o arnês ficar solto durante a subida ou a descida, procure uma posição segura e ajuste-o corretamente.

Ao trabalhar na rota de subida ou próximo a ela e durante trabalhos e ações que não fazem parte dos movimentos usuais de subida e descida, o alpinista deve se proteger adicionalmente com um cordão de acordo com EN 354 ou cordão de posicionamento de trabalho de acordo com EN 358: 2018-11 ou ANSI / ASSP Z 359.4: 2013-00. Isso também é aplicável para posições inativas enquanto descansa na escada de proteção contra quedas. Só devem ser utilizados dispositivos de ancoragem adequados. Em todas estas situações, o cordão de segurança deve ser mantido firme para evitar uma queda.



Importante!

Os pára-quadras da série VC500 da Söll só devem ser utilizados em sistemas com uma inclinação máxima de 15° da vertical em todas as direções.



Importante!

O pára-quadras de acordo com as normas EN 353-1+A1:2017-12, CSA Z259.2.5-17, ANSI A14.3-2008, ANSI Z359.16-2016, e NBR 14627 deve ser utilizado somente por pessoas que:

- tenham recebido formação ou estejam de outro modo autorizados
- são supervisionados diretamente por uma pessoa formada ou autorizada.

5.2 LIGAÇÃO AO SISTEMA:

- O design permite a fixação em cabos de **8 mm (5/16 in)** ou **10 mm (3/8 in)** galvanizados ou de aço inoxidável que fazem parte do sistema Söll Vi-Go.
- O pára-quedas tem um mecanismo que ajuda a evitar que o travão de queda seja incorretamente ligado ao cabo.

5.3 CONETAR O PÁRA-QUEDAS AO ARNÊS DE CORPO INTEIRO:

- Puxar para baixo o casquilho serrilhado do mosquetão.
- Em seguida, rodar o casquilho serrilhado e pressioná-lo para dentro.
- Fixe-o diretamente à ligação externa do arnês de corpo inteiro.
- Soltar o casquilho serrilhado, este bloqueia automaticamente.



Perigo!

Um mosquetão não seguro (casquilho serrilhado aberto) é perigoso para a vida humana.

A precinta abdominal ou torácica do arnês de corpo inteiro deve ajustar-se firmemente ao corpo (Fig. 4).



Perigo!

O mosquetão do pára-quedas deve ser inserido diretamente no ponto de fixação externa do arnês de corpo inteiro (Fig. 5, 6, 7).

5.4 INSERÇÃO DO CABO DE GUIA

VC510

- Segure o travão de queda de modo a que a seta no invólucro aponte para cima.
- Levantar o mosquetão com a alavanca de travagem para cima (Fig. 8a).
- Puxe o botão de bloqueio para fora do travão de queda e, em seguida, deslize-o para fora do cabo (Fig. 8b).
- Através do espaço agora aberto no invólucro do pára-quedas, coloque o pára-quedas no cabo de modo que a seta no invólucro aponte para cima (Fig. 8c).
- Soltar a alavanca de travagem e o botão de bloqueio.
- O Söll VC510 está agora ligado ao cabo de guia.
- Verificar se o travão de queda pode deslizar livremente na vertical sobre o cabo guia.
- Verificar o funcionamento do mecanismo de bloqueio e de retenção, movendo a alavanca de travagem.

VC570

- Segure o travão de queda de modo a que a seta no invólucro aponte para cima.
- Levantar o mosquetão com a alavanca de travagem para cima (Fig. 9a).
- Pressione o botão superior para baixo, para dentro do corpo do pára-quedas (Fig. 9b, Pos. 1).
- Pressionar o gatilho no corpo do pára-quedas (Fig. 9b, Pos. 2).
- Através do espaço agora aberto no invólucro do pára-quedas, coloque o pára-quedas no cabo de modo que a seta no invólucro aponte para cima (Fig. 9c).
- Soltar a alavanca de travagem, o botão e o gatilho.
- O Söll VC570 está agora ligado ao cabo de guia.
- Verificar se o travão de queda pode deslizar livremente na vertical sobre o cabo guia.
- Verificar o funcionamento do mecanismo de bloqueio e de retenção, movendo a alavanca de travagem.

5.5 REMOÇÃO DO PÁRA-QUEDAS DO CABO GUIA



Aviso!

Antes de retirar o travão de queda do cabo vertical ou de o separar do arnês, os utilizadores devem estar seguros e protegidos contra uma queda de altura!

VC510

- Levantar o mosquetão com a alavanca de travagem para cima.
- Puxe o botão de bloqueio para fora do pára-quedas e, em seguida, deslize-o para fora do cabo.
- Através do espaço agora aberto na caixa do pára-quedas, remova o pára-quedas.
- Soltar a alavanca de travagem e o botão de bloqueio.

VC570

- Levantar o mosquetão com a alavanca de travagem para cima.
- Pressione o botão superior para baixo, para dentro do corpo do travão de queda.
- Pressionar o gatilho no corpo do pára-quedas.
- Através do espaço agora aberto na caixa do pára-quedas, remova o pára-quedas.
- Soltar a alavanca de travagem, o botão e o gatilho.

6 INSPEÇÃO

A segurança dos utilizadores depende da eficiência e durabilidade contínuas do equipamento. Dependendo da legislação local, frequência de uso e condições ambientais, os pára-quadras devem ser inspecionados por uma pessoa competente em uma base regular e pelo menos a cada 12 meses, conforme ANSI Z359 / EN 365. As inspeções periódicas só devem ser realizadas por uma pessoa competente e estritamente de acordo com os procedimentos de inspeção periódica do fabricante.

Antes de cada utilização e durante a inspeção periódica, o pára-quadras deve ser inspecionado visualmente para garantir que:

- A folga entre o mecanismo de bloqueio e a caixa do pára-quadras não deve ser superior a 5 mm / 0,118 pol. (Fig. 10).
- A distância entre os anéis de absorção deve ser inferior a 2 mm / 0,08 pol. (Fig. 11).
- Não há sinais de desgaste, danos ou outras deteriorações.
- Os rótulos/marcações dos produtos são legíveis.

Se os requisitos acima não forem cumpridos, o pára-quadras deve ser retirado de serviço e substituído ou reparado. As reparações só podem ser efetuadas pelo fabricante.



Aviso!

Um pára-quadras que tenha travado a queda de um utilizador de uma altura deve ser retirado de serviço.

7 MANUTENÇÃO

LIMPEZA

Limpar com água. Não utilizar, em circunstância alguma, solventes ou produtos de limpeza que contenham ácidos/alcalinos. Deixar secar naturalmente numa área bem ventilada, longe de qualquer fogo aberto ou outras fontes de calor.

VIDA ÚTIL

O cuidado adequado do seu EPI ajudará a garantir uma maior longevidade do produto e a sua segurança.

A vida útil do pára-quadras depende da frequência de utilização e das condições de funcionamento. Durante as inspeções anuais efetuadas por uma pessoa ou organismo autorizado, o pára-quadras só será libertado para utilização se o produto e os seus componentes estiverem em boas condições.

TRANSPORTE E ARMAZENAMENTO

Durante o transporte e o armazenamento, certifique-se de que o seu EPI é colocado longe de fontes de calor, humidade, atmosfera corrosiva, raios ultravioleta, etc., e evite qualquer impacto ou vibração excessiva.

8 GESTÃO DE ITENS

VC510 & VC570 apresentam números de série únicos na parte lateral do corpo exterior (ver Marcação do produto, ponto "N").

RFID

VC570 incorpora uma etiqueta RFID (Radio Frequency Identification) contendo um número de identificação único que pode ser utilizado para o rastreio de ativos de acordo com a norma ISO 18000-63. O RFID permite inspeções rápidas no terreno e especifica informações, incluindo o número do modelo, a data de fabrico, o número de inspeção/ lote e normas cumpridas. Para além do tipo de leitor e da etiqueta RFID, a distância de leitura RFID ideal varia consoante o leitor, a orientação da etiqueta e o material. A etiqueta RFID é colocada sob a cobertura de plástico do pára-quadras - ver marcação do produto.



ESPECIFICAÇÃO

- Frequência Global: 840 ~ 940 MHz
- Memória EPC 128bits, TID: 96bit
- Retenção de dados: 20 anos

RECOMENDAÇÕES

Depois de limpar o seu EPI, leia a sua etiqueta RFID para verificar se não foi danificada.

9 PROTEÇÃO AMBIENTAL



O símbolo WEEE indica que este produto não pode ser tratado como lixo doméstico.

Para proteger o ambiente, certifique-se de que o produto é eliminado corretamente. Para obter informações mais detalhadas sobre a reciclagem deste produto, contate as autoridades locais, o seu fornecedor de serviços de eliminação de resíduos domésticos/industriais ou o ponto de venda do produto.

Söll VC500 - Opritor de cădere cu ghidaj pentru sistemul vertical de oprire a căderilor Söll Vi-Go CABMAX

1 INFORMAȚII GENERALE

REFERINȚE NORMATIVE

Acest produs face referire la lista de standarde și directive de mai jos. Este responsabilitatea utilizatorului să respecte standardele relevante la care se face referire în acest manual.

Grupurile de referință pentru standarde/directive de mai jos sunt aplicabile în funcție de piață, de exemplu, dacă produsul este utilizat în Uniunea Europeană (UE), utilizatorul trebuie să respecte standardele/directivele UE, iar toate celelalte standarde menționate în ghidul de utilizare nu sunt relevante.

În acest document, un suport de ancorare rigid este numit și „cablu” sau „cablu de ghidaj”.

STANDARDE EUROPENE

EN 353-1+A1:2017-12 - Echipament individual de protecție împotriva căderilor de la înălțime - Opritoare de cădere cu alunecare cu suport de ancorare. Partea 1: Opritoare de cădere cu alunecare cu suport de ancorare rigid

CNB/P/11.119 - Regulamentul privind EIP (UE) 2016/425

STANDARDE ȘI REGLEMENTĂRI DIN SUA

ANSI-ASC A14.3-2008 - Cerințe de siguranță pentru scări fixe

ANSI/ASSE Z359.16-2016 - Cerințe de siguranță pentru sistemele de oprire a căderii pe scară de urcare OSHA 1910.29 și 1926.502

STANDARDE DIN CANADA

CSA Z259.2.5-17 - Opritoare de cădere și sisteme verticale lifeline

STANDARDE DIN BRAZILIA

NBR 14627 - Equipamento de proteção individual contra queda de altura - Travaquada guiado em linha rígida

2 SISTEM

Opritoarele de cădere din seria Söll VC500 pot fi utilizate cu un sistem vertical de oprire a căderii Söll Vi-Go/Antec CABMAX (denumit în continuare „sistem de oprire a căderii”) și respectă standardul indicat în următorul tabel:

		Sistem Söll Vi-Go			ANTEC Cabmax
		fără amortizor de șoc sup.	cu amortizor de șoc sup. FPH_30176	cu amortizor de șoc sup. TRTB/	
Opritor de cădere	Söll VC510	<ul style="list-style-type: none"> ANSI A14.3-2018 OSHA 1910.29 & 1926.502 EN 353-1+A1:2017-12 UKCA 	<ul style="list-style-type: none"> ANSI A14.3-2018* OSHA 1910.29 & 1926.502* 	<ul style="list-style-type: none"> ANSI A14.3-2018 OSHA 1910.29 & 1926.502 	<ul style="list-style-type: none"> EN 353-1+A1:2017-12
	Söll VC570	<ul style="list-style-type: none"> ANSI Z359.16-2016 OSHA 1910.29 & 1926.502 CSA Z259.2.5-17 EN 353-1+A1:2017-12 UKCA 	<ul style="list-style-type: none"> ANSI Z359.16-2016* OSHA 1910.29 & 1926.502* 	<ul style="list-style-type: none"> ANSI Z359.16-2016 OSHA 1910.29 & 1926.502 CSA Z259.2.5-17 	X

*Numai pentru cabluri și componente din oțel inoxidabil de 10 mm (3/8 inch).

Toate opritoarele de cădere din seria Söll VC500 pot fi utilizate cu sisteme verticale de oprire a căderii cu console automate sau manuale de trecere, cu cabluri de 8 mm (5/16”) sau 10 mm (3/8”). Pentru informații suplimentare, consultați ghidul de instalare a sistemului Söll Vi-Go.

3 MĂSURI DE SIGURANȚĂ

Orice persoană care lucrează cu sau la sistemul de oprire a căderilor trebuie să fie familiarizată cu aceste instrucțiuni înainte de a utiliza sistemul. Echipamentul de oprire a căderilor nu trebuie utilizat dincolo de limitele sale sau în orice alte scopuri decât cel pentru care a fost prevăzut. Utilizarea care nu respectă aceste instrucțiuni constituie risc de deces. Operatorii trebuie să beneficieze de instruire care să acopere aceste instrucțiuni și informațiile pentru utilizator înainte de începerea lucrului și, apoi, cel puțin o dată pe an. Asigurați-vă că funcția de siguranță a oricărei componente nu este afectată de funcția de siguranță a altuia și că acestea nu interferează între ele. În cazul în care produsul este vândut în afara primei țări de destinație, revânzătorul trebuie să se asigure că produsul este conform cu legile aplicabile în țara respectivă și să furnizeze instrucțiuni pentru produs în limba corespunzătoare.

Operatorul sistemului de oprire a căderii, precum și utilizatorul opritorului de cădere trebuie să se asigure că acest manual este întotdeauna stocat corespunzător și disponibil pentru consultare în orice moment.

Trebuie respectate reglementările naționale privind prevenirea accidentelor și utilizarea echipamentelor de siguranță pentru lucrări de construcții.

Opritorul de cădere cu ghidaj face parte integrantă a sistemului de oprire a căderii în conformitate cu EN 353-1:2014+A1:2017, CSA Z259.2.5-17, ANSI A14.3-2008 și ANSI Z359.16-2016 și este proiectat pentru a fi utilizat ca echipament individual de siguranță. Pentru a ajuta la asigurarea utilizării corecte a sistemului vertical de oprire a căderii, operatorul trebuie să se asigure că centura complexă și opritorul de cădere sunt utilizate în conformitate cu aceste instrucțiuni. După utilizare, opritorul de cădere nu trebuie lăsat conectat la sistemul de ascensiune în siguranță. Opritorul de cădere trebuie să fie operat numai în sistemul original de oprire a căderii. Centura complexă este singurul dispozitiv acceptabil de susținere a corpului care poate fi utilizat într-un sistem de oprire a căderii. Sistemul de ascensiune în siguranță trebuie utilizat numai împreună cu centuri complexe care au fost verificate și aprobate în conformitate cu EN 361:2002-05, NBR 15836, CSA Z259.2.5-17 sau ANSI Z359.16-2016 și sunt echipate cu un punct de atașare frontal.

Pentru a realiza o legătură între opritorul de cădere și centura complexă, conectați clapeta carabinierii opritorului de cădere la inelul de ancorare certificat marcat cu „A” (aplicabil numai atunci când este în conformitate cu EN 361:2002-05) de la punctul de pe piept al centurii complexe. Distanța dintre opritorul de cădere și centura complexă nu trebuie să fie redusă sau mărită (de ex., prin adăugarea sau scoaterea unui conector).

Lungimea carabinierii nu trebuie extinsă sau scurtată.

Un număr de maximum 4 utilizatori pot fi atașați la sistem în același timp (inclusiv utilizatorii atașați la punctul de ancorare, atunci când este necesar platformei este în uz). Cu excepția operațiunilor de salvare, o singură persoană trebuie să utilizeze un segment de cablu vertical între suporturile intermediare pentru ghidajele de cablu. Fiecare utilizator trebuie să fie asigurat de un opritor de cădere separat. Opritorul de cădere cu ghidaj este destinat utilizării pentru o singură persoană. Distanța dintre utilizatori nu trebuie să fie mai mică de 3 m (Fig. 1). Numărul efectiv de utilizatori depinde de capacitatea de încărcare a structurii de bază.

Greutatea minimă a utilizatorului, cu excepția articolelor de îmbrăcăminte și a echipamentelor, este de 50 kg. Greutatea maximă a utilizatorului, inclusiv îmbrăcăminte și echipamentul, este de 140 kg și nu trebuie depășită. Opritorul de cădere cu ghidaj nu trebuie utilizat pentru poziționarea în timpul lucrului. În cazul în care este necesară poziționarea în timpul lucrului, se va utiliza un echipament de poziționare în timpul lucrului.

Pentru siguranță, opritorul de cădere nu trebuie atins în timpul urcării/coborârii.

Punctele de fixare pentru cablul sistemului de oprire a căderii nu trebuie utilizate pentru fixarea încărcăturilor.

Înainte și în timpul utilizării sistemului instalat de oprire împotriva căderii, sistemul trebuie inspectat vizual pentru a se verifica funcționarea corespunzătoare.

Temperatura de lucru: de la -40 °C la +70 °C; asigurați-vă că sistemul nu prezintă urme de vaselină, ulei sau gheață. Operatorul trebuie să consulte medicul cu privire la starea sa de sănătate și nu trebuie să se afle sub influența alcoolului, a drogurilor sau a medicamentelor care ar putea afecta utilizarea în siguranță a produsului.



Important!

Este posibil ca utilizatorul să nu fie suficient protejat împotriva lovirii solului sau a obstacolelor dacă se află la o înălțime mai mică de 3 m. Înainte de a utiliza sistemul de ascensiune în siguranță, asigurați-vă că există spațiu liber necesar sub picioarele utilizatorului.



Avertizare

Înainte de a utiliza acest opritor de cădere, utilizatorul trebuie să citească și să înțeleagă acest manual de instrucțiuni și orice instrucțiuni suplimentare furnizate în timpul instruirii sau furnizate împreună cu opritorul de cădere sau sistemul de oprire a căderii.



Avertizare

Orice modificări sau adăugări la opritorul de cădere seria Söll VC500 fără aprobarea scrisă a producătorului pot împiedica funcționarea corectă a opritorului de cădere și, prin urmare, sunt interzise.

PĂSTRAȚI ACEST MANUAL PENTRU CONSULTĂRI ULTERIOARE - NU ÎL ARUNCAȚI!

4 EXTENSIA PLATFORMEI DISPOZITIVULUI DE ANCORARE

Extensia platformei Honeywell Söll Vi-Go este un punct de ancorare certificat pentru protecția împotriva căderii pentru:

- **2 persoane** în conformitate cu EN 795:2012 și CEN/TS 16415:2013
- **1 persoană** în conformitate cu ANSI Z359.18.

Orificiul plăcii de ancorare din oțel (Fig. 2, poz. 1) servește ca punct de ancorare.

Prin urmare, utilizatorul poate fi protejat împotriva căderii în timp ce trece de la deplasarea verticală la cea orizontală. Trebuie evitate punctele de declanșare din zona de intrare și de lucru.



Avertizare!

Dispozitivul de ancorare nu trebuie utilizat dacă orificiul de ancorare a suportat o cădere. În acest caz, dispozitivul de ancorare trebuie verificat de către o persoană autorizată și, dacă este necesar, înlocuit.

Extensia platformei dispozitivului de ancorare poate fi utilizată numai în combinație cu următoarele echipamente de siguranță:

- sisteme individuale de protecție împotriva căderii în conformitate cu EN 363 sau ANSI/ASSP Z359.1:2020-00
- absorbitoare de energie în conformitate cu EN 355 sau ANSI/ASSP Z359.13:2013-00
- sisteme de salvare în conformitate cu EN 1496 sau ANSI/ASSP Z359.4:2013-00, EN 1479, EN 1498 și ANSI/ASSP Z359.4:2013-00

Sistemul echipamentului individual de protecție împotriva căderii (numai cu un absorbitor de energie) sau sistemul de salvare trebuie ales astfel încât să se evite coliziunea utilizatorului cu solul sau cu alte obstacole. Respectați instrucțiunile de utilizare ale producătorului.

Pentru a realiza o asigurare împotriva căderii, clapeta carabinierii (Fig. 3, Poz. 2) dispozitivului de conectare trebuie montată în orificiul plăcii de oțel a ancorei (Fig. 3, Poz. 1) și blocată pentru a evita deconectarea involuntară.



Pericol!

Clapeta carabinierii dispozitivului de conectare nu trebuie să fie deconectată de la dispozitivul de ancorare înainte ca utilizatorul să fie protejat de o altă soluție împotriva căderii.

5 UTILIZARE



Important!

5.1 INSPECȚIA ÎNAINTEA ASCENSIUNII:

- Înainte de fiecare utilizare, verificați cablul, tensiunea cablului, opritorul de cădere și carabinierile dacă sunt în stare bună de funcționare.
- Sistemul de oprire a căderii nu trebuie utilizat dacă au fost constatate defecte sau dacă există îndoieli cu privire la funcționarea corectă a acestuia. Înainte de a utiliza în continuare, este necesară efectuarea unei inspecții de către o persoană autorizată și înlocuirea pieselor defecte.
- Înainte de utilizarea sistemului de oprire a căderii, trebuie să existe un plan de salvare.



Avertizare

Dacă hamul se slăbește în timpul ascensiunii sau coborârii, găsiți o poziție sigură și reglați-l corect.

Atunci când se lucrează pe sau lângă ruta de ascensiune, precum și în timpul sarcinilor și acțiunilor care nu fac parte din mișcările obișnuite de urcare și coborâre, alpinistul trebuie să se auto-asigure suplimentar cu o lonjă în conformitate cu EN 354 sau cu o lonjă pentru poziționare în timpul lucrului în conformitate cu EN 358:2018-11 sau ANSI/ASSP Z 359.4:2013-00. Acest lucru este valabil și pentru pozițiile de staționare în timpul pauzelor pe scara de oprire a căderii. Trebuie folosite numai dispozitive de ancorare adecvate. În toate aceste situații, lonja trebuie menținută întinsă pentru a preveni căderea.



Important!

Opritoarele de cădere din seria Söll VC500 trebuie utilizate numai cu sisteme cu înclinație maximă de 15° față de verticală în toate direcțiile.



Important!

Opritorul de cădere conform cu EN 353-1+A1:2017-12, CSA Z259,2.5-17, ANSI A14.3-2008, ANSI Z359.16-2016 și BNR 14627 va fi folosit numai de către persoanele care:

- au fost instruite sau sunt autorizate în acest scop
- sunt supravegheate direct de către o persoană calificată sau autorizată.

5.2 CONECTAREA LA SISTEM:

- Designul permite fixarea pe cabluri din oțel galvanizat sau inoxidabil de 8 mm (5/16 in) sau 10 mm (3/8 in) care fac parte din sistemul Söll Vi-Go.
- Opritorul de cădere are un mecanism care face imposibilă atașarea incorectă a acestuia pe cablu.

5.3 CONECTAREA OPRITORULUI DE CĂDERE LA CENTURA COMPLEXĂ:

- Trageți în jos piulița carabinierii cu șurub.
- Apoi răsuciți piulița și apăsați-o în jos.
- Atașați-l direct în punctul central de atașare al centurii complexe.
- Eliberați piulița, aceasta se blochează automat.



Pericol!

O carabinieră nesecurizată (cu filet deschis) constituie risc de deces.

Cureaua abdominală sau toracică a centurii complexe trebuie să se potrivească bine pe corp (Fig. 4).



Pericol!

Carabiniera opritorului de cădere trebuie introdusă direct în punctul de atașare de pe piept al centurii complexe (Fig. 5, 6, 7).

5.4 INTRODUCEREA CABLULUI DE GHIDAJ

VC510

- Țineți dispozitivul de protecție împotriva căderilor astfel încât săgeata de pe carcasă să fie îndreptată în sus.
- Ridicați carabina cu maneta de frânare în sus (Fig. 8a).
- Trageți butonul de blocare de pe opritorul de cădere, apoi glisați-l de pe cablu (fig. 8b).
- Prin spațiul care este acum deschis în carcasa opritorului de cădere, așezați opritorul de cădere pe cablu astfel încât săgeata de pe carcasă să fie orientată în sus (Fig. 8c).
- Eliberați maneta de frânare și butonul de blocare.
- Söll VC510 este acum conectat la cablul de ghidaj.
- Verificați dacă opritorul de cădere poate aluneca vertical, în mod liber, pe cablul de ghidaj.
- Verificați funcționarea mecanismului de blocare și de prindere mișcând maneta de frânare.

VC570

- Țineți dispozitivul de protecție împotriva căderilor astfel încât săgeata de pe carcasă să fie îndreptată în sus.
- Ridicați carabiniera cu maneta de frânare în sus (Fig. 9a).
- Apăsați butonul superior în jos, în corpul opritorului de cădere (Fig. 9b, poz. 1).
- Apăsați declanșatorul în corpul opritorului de cădere (Fig. 9b, poz. 2).
- Prin spațiul care este acum deschis în carcasa opritorului de cădere, așezați opritorul de cădere pe cablu astfel încât săgeata de pe carcasă să fie orientată în sus (Fig. 9c).
- Eliberați maneta de frânare, butonul și declanșatorul.
- Söll VC570 este acum conectat la cablul de ghidaj.
- Verificați dacă opritorul de cădere poate aluneca vertical, în mod liber, pe cablul de ghidaj.
- Verificați funcționarea mecanismului de blocare și de prindere mișcând maneta de frânare.

5.5 SCOATEREA OPRITORULUI DE CĂDERE DE PE CABLUL DE GHIDAJ



Avertizare!

Înainte de a scoate opritorul de cădere de pe cablul vertical sau de a-l detașa de ham, utilizatorul trebuie să fie asigurat și protejat împotriva căderii de la înălțime!

VC510

- Ridicați carabiniera cu maneta de frânare în sus.
- Trageți butonul de blocare departe de opritorul de cădere, apoi glisați-l departe de cablu.
- Prin spațiul care este acum deschis în carcasa opritorului de cădere, scoateți opritorul de cădere.
- Eliberați maneta de frânare și butonul de blocare.

VC570

- Ridicați carabiniera cu maneta de frânare în sus.
- Apăsați butonul superior în jos, în corpul opritorului de cădere.
- Apăsați declanșatorul în corpul opritorului de cădere.
- Prin spațiul care este acum deschis în corpul opritorului de cădere, scoateți opritorul de cădere.
- Eliberați maneta de frânare, butonul și declanșatorul.

6 VERIFICARE

Siguranța utilizatorilor depinde de eficiența și durabilitatea permanentă a echipamentului. În funcție de legislația locală, frecvența de utilizare și condițiile de mediu, opritorarele de cădere trebuie inspectate de o persoană competentă în mod regulat și cel puțin o dată la 12 luni, conform ANSI Z359/EN 365. Inspecțiile periodice trebuie efectuate numai de către o persoană competentă și în strictă conformitate cu procedurile de inspecție periodică ale producătorului.

Înainte de fiecare utilizare și în timpul inspecției periodice, opritorul de cădere trebuie inspectat vizual pentru a vă asigura că:

- Distanța dintre mecanismul de blocare și carcasa opritorului de cădere nu trebuie să fie mai mare de 5 mm (Fig. 10).
- Distanța dintre buclele absorbitorului trebuie să fie mai mică de 2 mm (Fig. 11).
- Nu există semne de uzură, avarie sau alte deteriorări.
- Etichetele/marcajele produsului sunt lizibile.

Dacă cerințele de mai sus nu sunt îndeplinite, opritorul de cădere trebuie scos din funcțiune și înlocuit sau reparat. Reparațiile pot fi efectuate numai de către producător.



Avertizare!

Un opritor de cădere care a oprit căderea de la înălțime a unui utilizator trebuie scos din uz.

7 ÎNTREȚINERE

CURĂȚARE

Curățați cu apă. Nu utilizați în niciun caz solvenți sau agenți de curățare care conțin acizi/alcalini. Permiteți uscarea naturală într-o zonă bine ventilată, departe de orice flacără deschisă sau alte surse de căldură.

DURATA DE VIAȚĂ

Îngrijirea corespunzătoare a EIP va asigura o durată de viață mai lungă a produselor și va garanta siguranța dvs. Durata de funcționare a opritorului de cădere depinde de frecvența de utilizare și de condițiile de operare. În timpul inspecțiilor anuale efectuate de o persoană sau un organism autorizat, opritorul de cădere va fi aprobat pentru utilizare ulterioară numai dacă produsul și componentele sale sunt în stare bună.

TRANSPORT ȘI DEPOZITARE

În timpul transportului și depozitării, asigurați-vă că EIP este păstrat departe de surse de căldură, umiditate, medii corozive, raze ultraviolete etc. și evitați orice impact sau vibrație excesivă.

8 GESTIONAREA ARTICOLELOR

VC510 și VC570 prezintă numere de serie unice pe partea laterală a corpului exterior (a se vedea Marcajul produsului, punctul „N”).

RFID

VC570 încorporează o etichetă RFID (identificare prin radiofrecvență) care conține un număr unic de identificare care poate fi utilizat pentru urmărirea activelor în conformitate cu ISO 18000-63. RFID permite efectuarea inspecțiilor pe teren rapide și specifică informații precum numărul de model, data fabricației, numărul de inspecție/lot,

lungimea și standardele respectate. Pe lângă tipul de cititor și plăcuța RFID, distanța optimă de citire a RFID variază în funcție de cititor, de orientarea plăcuței și de material.

Eticheta RFID este amplasată sub placa din spate a opritorului de cădere – a se vedea marcajul produsului.



SPECIFICAȚIE

- Frecvență globală: 840 ~ 940 MHz
- Memorie EPC 128 biți, TID: 96 biți
- Păstrarea datelor: 20 de ani

RECOMANDĂRI

După curățarea EIP, scanați eticheta RFID pentru a confirma că acesta nu a fost avariat.

9 PROTECȚIA MEDIULUI



Simbolul WEEE indică faptul că acest produs nu poate fi tratat ca deșeu menajer.

Pentru a proteja mediul, asigurați-vă că produsul este eliminat corect. Pentru informații mai detaliate despre reciclarea acestui produs, contactați autoritatea locală, furnizorul de servicii de eliminare a deșeurilor menajere/industriale sau punctul de vânzare de la care ați achiziționat produsul.

Söll VC500 — устройство защиты от падения направленного типа для вертикальной системы защиты от падения **Söll Vi-Go/Antec CABMAX**

1 ОБЩАЯ ИНФОРМАЦИЯ

НОРМАТИВНЫЕ ССЫЛКИ

Этот продукт соответствует приведенному ниже списку стандартов и директив. Ответственность за соблюдение соответствующих стандартов, указанных в данной инструкции, лежит на пользователе. Группы ссылок на стандарты/директивы, приведенные ниже, применимы в зависимости от рынка, например, если продукт используется в Европейском союзе (ЕС), пользователь должен соблюдать стандарты/директивы ЕС, а все другие стандарты, упомянутые в инструкции пользователя, не применяются.

В этом документе жесткая анкерная линия также именуется «тросом» или «направляющим тросом».

ЕВРОПЕЙСКИЕ СТАНДАРТЫ

EN 353-1+A1:2017-12 - Средства индивидуальной защиты от падения. Средства защиты от падения направленного типа, включая анкерный трос. Часть 1: Средства защиты от падения направленного типа, включающие жесткую анкерную линию
 CNB/P/11.119 - Регламент СИЗ (ЕС) 2016/425

АМЕРИКАНСКИЕ СТАНДАРТЫ И ПРАВИЛА

ANSI-ASC A14.3-2008 - Требования безопасности к стационарным лестницам
 ANSI/ASSE Z359.16-2016 - Требования безопасности к системам защиты от падения при подъеме по лестнице OSHA 1910.29 и 1926.502

КАНАДСКИЕ СТАНДАРТЫ

CSA Z259.2.5-17 - Средства защиты от падения и вертикальные страховочные тросы

БРАЗИЛЬСКИЕ СТАНДАРТЫ

NBR 14627 - Equipamento de proteção individual contra queda de altura - Travaquada guiado em linha rígida

2 СИСТЕМА

Средства защиты от падения Söll серии VC500 могут использоваться с вертикальной системой защиты от падения Söll Vi-Go/Antec CABMAX (далее именуемой «система защиты от падения») и соответствуют стандарту, указанному в следующей таблице:

		Система Söll Vi-Go			ANTEC Cabmax
		без верхнего амортизатора	с верхним амортизатором FPH_30176	с верхним амортизатором TRTB/	
Защита от падения	Söll VC510	<ul style="list-style-type: none"> • ANSI A14.3-2018 • OSHA 1910.29 & 1926.502 • EN 353-1+A1:2017-12 • UKCA 	<ul style="list-style-type: none"> • ANSI A14.3-2018* • OSHA 1910.29 & 1926.502* 	<ul style="list-style-type: none"> • ANSI A14.3-2018 • OSHA 1910.29 & 1926.502 	• EN 353-1+A1:2017-12
	Söll VC570	<ul style="list-style-type: none"> • ANSI Z359.16-2016 • OSHA 1910.29 & 1926.502 • CSA Z259.2.5-17 • EN 353-1+A1:2017-12 • UKCA 	<ul style="list-style-type: none"> • ANSI Z359.16-2016* • OSHA 1910.29 & 1926.502* 	<ul style="list-style-type: none"> • ANSI Z359.16-2016 • OSHA 1910.29 & 1926.502 • CSA Z259.2.5-17 	X

*Только для кабелей и компонентов из нержавеющей стали диаметром 10 мм (3/8 дюйма).

Все средства защиты от падения Söll серии VC500 можно использовать с вертикальными системами защиты от падения с автоматическими или ручными проходными кронштейнами и тросами диаметром 8 мм (5/16 дюйма) или 10 мм (3/8 дюйма). Для получения дополнительной информации см. инструкцию по установке системы Söll Vi-Go.

3 МЕРЫ ПРЕДОСТОРОЖНОСТИ

Любой, кто работает с системой защиты от падения или на ней, должен ознакомиться с этой инструкцией перед использованием системы. Оборудование для защиты от падения не должно использоваться за пределами его ограничений или для любых других целей, кроме тех, для которых оно предназначено. Использование, не соответствующее данной инструкции, представляет опасность для жизни человека. Операторы должны проходить обучение по этой инструкции и информации для пользователя перед

началом работы, а также не реже одного раза в год. Убедитесь, что на функцию безопасности любого из компонентов не влияет функция безопасности другого и что они не мешают друг другу. Если продукт продается за пределами первой страны назначения, торговый посредник должен обеспечить, соответствие продукта законам, применимым в этой стране, и предоставить инструкцию для продукта на соответствующем языке.

Оператор системы защиты от падения, а также пользователь средства защиты от падения должны следить за тем, чтобы эта инструкция всегда хранилась должным образом и всегда была доступна для ознакомления.

Должны соблюдаться национальные правила по предотвращению несчастных случаев и использованию защитного оборудования при строительных работах.

Средство защиты от падения направленного типа является неотъемлемой частью системы защиты от падения в соответствии со стандартами EN 353-1:2014+A1:2017, CSA Z259.2.5-17, ANSI A14.3-2008 и ANSI Z359.16-2016 и предназначено для использования в качестве средств индивидуальной защиты. Для того, чтобы помочь обеспечить надлежащее использование системы защиты от падения, оператор должен обеспечить, чтобы страховочная привязь и средство защиты от падения использовались в соответствии с данной инструкцией. После использования средство защиты от падения нельзя оставлять подключенным к системе безопасного подъема. Средство защиты от падения должно использоваться только в оригинальной системе защиты от падения. Страховочная привязь является единственным приемлемым удерживающим устройством, которое можно использовать в системе защиты от падения. Систему безопасного подъема следует использовать только в сочетании со страховочными привязями, которые были проверены и одобрены в соответствии с EN 361:2002-05, NBR 15836, CSA Z259.2.5-17 или ANSI Z359.16-2016 и оборудованы передней точкой крепления.

Для соединения средства защиты от падения и страховочной привязи прикрепите карабинный крюк средства защиты от падения к сертифицированному анкерному кольцу с маркировкой «А» (применимо только в соответствии с EN 361:2002-05) в грудной части страховочной привязи. Нельзя уменьшать или увеличивать расстояние между средством защиты от падения и страховочной привязью (например, путем добавления или удаления соединителя).

Длину карабина нельзя ни удлинять, ни укорачивать.

Одновременно к системе могут быть подключены **не более 4 пользователей** (включая пользователей, подключенных к точке привязки, когда используется удлинитель платформы). За исключением проведения спасательных операций, только один человек может использовать один и тот же отрезок вертикального троса между промежуточными кронштейнами для направляющих троса. Каждый пользователь должен быть прикреплен к отдельному средству защиты от падения. Средство защиты от падения направленного типа предназначено для использования только **1 человеком**. Расстояние между пользователями **должно быть не менее 3 м / 10 футов** (рис. 1). Фактическое количество пользователей зависит от несущей способности базовой конструкции.

Минимальная нагрузка пользователя без учета одежды и снаряжения составляет **50 кг / 110 фунтов**. Максимальная нагрузка пользователя, включая одежду и оборудование, составляет **140 кг / 310 фунтов**, и ее нельзя превышать.

Средство защиты от падения направленного типа не должно использоваться для рабочего позиционирования. Если требуется рабочее позиционирование, должно использоваться оборудование для рабочего позиционирования.

В целях обеспечения безопасности нельзя прикасаться к средству защиты от падения во время подъема/спуска.

Точки крепления троса системы защиты от падения не должны использоваться для крепления грузов.

До и во время использования установленной системы защиты от падения ее необходимо визуально осмотреть для обеспечения ее правильного функционирования.

Рабочая температура от **-40 °C до +70 °C / от -40 °F до 158 °F**; необходимо обеспечить, чтобы в системе не было смазки, масла и льда. Оператор должен проконсультироваться по поводу своего состояния здоровья с врачом и не должен находиться под воздействием алкоголя, наркотиков или лекарств, которые могут повлиять на безопасное использование продукта.



Важно!

Пользователь может быть недостаточно защищен от ударов о землю или препятствия, если находится на высоте менее 3 м / 10 футов. Перед использованием системы безопасного подъема убедитесь, что под ногами пользователя имеется необходимое свободное пространство.



Предупреждение

Прежде чем использовать это средство защиты от падения, пользователь должен прочитать и понять данную инструкцию по эксплуатации и любые дополнительные инструкции, предоставленные во время обучения или переданные со средством защиты от падения или системой защиты от падения.



Предупреждение

Любые изменения или дополнения к средству защиты от падений серии Söll VC500, на которые отсутствует письменное разрешение производителя, могут помешать надлежащему функционированию средства защиты от падения и поэтому запрещены.

СОХРАНЯЙТЕ ЭТУ ИНСТРУКЦИЮ ДЛЯ БУДУЩЕГО ИСПОЛЬЗОВАНИЯ – НЕ ВЫБРАСЫВАЙТЕ ЕЕ!

4 УДЛИНИТЕЛЬ ПЛАТФОРМЫ АНКЕРНОГО УСТРОЙСТВА

Удлинитель платформы Honeywell Söll Vi-Go является сертифицированным анкерным креплением для защиты от падения для:

- **2 человек** в соответствии с EN 795:2012 и CEN/TS 16415:2013
- **1 человека** в соответствии с ANSI Z359.18.

Проушина анкерной стальной пластины (рис. 2, поз. 1) служит точкой привязки.

Таким образом, пользователь может быть защищен от падения при переходе от вертикального к горизонтальному продвижению. Следует избегать точек спотыкания на входе и в рабочей зоне.



Внимание!

Анкерное устройство нельзя использовать, если анкерная проушина подверглась нагрузке в результате падения. В этом случае анкерное устройство должно быть проверено уполномоченным лицом и при необходимости заменено.

Удлинитель платформы анкерного устройства разрешается использовать только в сочетании со следующим защитным оборудованием:

- системы индивидуальной защиты от падения в соответствии с EN 363 или ANSI/ASSP Z359.1:2020-00
- амортизаторы в соответствии с EN 355 или ANSI/ASSP Z359.13:2013-00
- спасательные системы в соответствии с EN 1496 или ANSI/ASSP Z359.4:2013-00, EN 1479, EN 1498 и ANSI/ASSP Z359.4:2013-00

Система средств индивидуальной защиты от падения (только с амортизатором) или спасательная система должны быть выбраны таким образом, чтобы можно было избежать столкновения пользователя с землей или столкновения с другими препятствиями. Следуйте инструкциям производителя.

Для защиты от падения карабинный крюк (рис. 3, поз. 2) соединительного устройства должен быть установлен на проушину анкерной стальной пластины (рис. 3, поз. 1) и замкнут во избежание непреднамеренного отсоединения.



Опасно!

Карабинный крюк соединительного устройства нельзя отсоединять от анкерного устройства до тех пор, пока пользователь не будет защищен другим способом защиты от падения.

5 ИСПОЛЬЗОВАНИЕ



Важно!

5.1 ПРОВЕРКА ПЕРЕД ПОДЪЕМОМ:

- Перед каждым использованием проверяйте трос, натяжение троса, средство защиты от падения и карабины на пригодность к использованию.
- Систему защиты от падения нельзя использовать, если были замечены дефекты или есть сомнения относительно ее надлежащего функционирования. Перед дальнейшим использованием необходимо провести осмотр уполномоченным лицом и заменить неисправные детали.
- План спасения должен быть готов до использования страховочной системы.



Предупреждение

Если ремни ослабнут во время подъема или спуска, займите безопасное положение и правильно отрегулируйте их.

При работе на маршруте подъема или рядом с ним, а также при работах и действиях, не являющихся частью обычного подъема и спуска, альпинист должен дополнительно страховаться стропом в соответствии с EN 354 или стропом для рабочего позиционирования в соответствии с EN 358:2018-11 или ANSI/ASSP Z 359.4:2013-00. Это также применимо для положений бездействия, когда человек опирается на страховочную лестницу. Только подходящие анкерные устройства должны использоваться. Во всех этих ситуациях необходимо крепко держать строп, чтобы предотвратить падение.



Важно!

Средства защиты от падения серии Söll VC500 должны использоваться только с системами с наклоном макс. 15° от вертикали во всех направлениях.



Важно!

Средство защиты от падения в соответствии с EN 353-1+A1:2017-12, CSA Z259.2.5-17, ANSI A14.3-2008, ANSI Z359.16-2016 и NBR 14627 должно использоваться только лицами, которые:

- прошли обучение или иным образом уполномочены
- контролируются непосредственно обученным или уполномоченным лицом.

5.2 ПОДКЛЮЧЕНИЕ К СИСТЕМЕ:

- Конструкция позволяет крепить тросы диаметром **8 мм (5/16 дюйма)** или **10 мм (3/8 дюйма)** из оцинкованной или нержавеющей стали, которые являются частью системы Söll Vi-Go.
- Средство защиты от падения имеет механизм, предотвращающий неправильное крепление средства защиты от падения к кабелю.

5.3 ПОДСОЕДИНЕНИЕ СРЕДСТВА ЗАЩИТЫ ОТ ПАДЕНИЯ К СТРАХОВОЧНОЙ ПРИВЯЗИ:

- Потянуть вниз втулку с накаткой карабина.
- Затем повернуть втулку с накаткой и вдавить ее внутрь.
- Прикрепить ее непосредственно к грудному соединению страховочной привязи.
- Отпустить втулку с накаткой, она автоматически замыкается.



Опасно!

Незакрепленный карабин (открытая втулка с накаткой) опасен для жизни человека. Брюшной или грудной ремень страховочной привязи должен плотно прилегать к телу (рис. 4).



Опасно!

Карабин средства защиты от падения должен быть вставлен непосредственно в грудную точку крепления страховочной привязи (рис. 5, 6, 7).

5.4 ВСТАВКА В НАПРАВЛЯЮЩИЙ ТРОС

VC510

- Держите устройство защиты от падения так, чтобы стрелка на корпусе была направлена вверх.
- Поднять карабин тормозным рычагом вверх (рис. 8а).
- Оттянуть ручку блокировки от средства защиты от падения, затем сдвинуть ее от троса (рис. 8б).
- Через открывшуюся щель в корпусе средства защиты от падения поместить средство защиты от падения на трос так, чтобы стрелка на корпусе указывала вверх (рис. 8с).
- Отпустить тормозной рычаг и ручку замыкания.
- Теперь Söll VC510 подсоединен к направляющему тросу.
- Проверьте, может ли средство защиты от падения свободно скользить вертикально по направляющему тросу.
- Проверьте работу запорно-захватного механизма, перемещая тормозной рычаг.

VC570

- Держите устройство защиты от падения так, чтобы стрелка на корпусе была направлена вверх.
- Поднять карабин тормозным рычагом вверх (рис. 9а).
- Нажать верхнюю кнопку вниз, в корпус средства защиты от падения (рис. 9б, поз. 1).
- Вдавить спусковой крючок в корпус средства защиты от падения (рис. 9б, поз. 2).
- Через открытый зазор в корпусе средства защиты от падения поместить средство защиты от падения на трос так, чтобы стрелка на корпусе указывала вверх (рис. 9с).
- Отпустить тормозной рычаг, кнопку и спусковой крючок.
- Теперь Söll VC570 подсоединен к направляющему кабелю.
- Проверьте, может ли средство защиты от падения свободно скользить вертикально по направляющему тросу.
- Проверьте работу запорно-захватного механизма, перемещая тормозной рычаг.

5.5 СНЯТИЕ УСТРОЙСТВА ЗАЩИТЫ ОТ ПАДЕНИЯ С НАПРАВЛЯЮЩЕГО КАБЕЛЯ



Внимание!

Перед снятием средства защиты от падения с вертикального троса или отсоединением от привязи пользователи должны быть закреплены и защищены от падения с высоты!

VC510

- Поднять карабин тормозным рычагом вверх.
- Оттянуть ручку замыкания от средства защиты от падения, затем сдвинуть ее от троса.
- Через открывшийся зазор в корпусе средства защиты от падения снять средство защиты от падения.
- Отпустить тормозной рычаг и ручку замыкания.

VC570

- Поднять карабин тормозным рычагом вверх.
- Нажать верхнюю кнопку вниз, в корпус средства защиты от падения.
- Нажать на спусковой крючок в корпус средства защиты от падения.
- Через открывшийся зазор в корпусе средства защиты от падения снять средство защиты от падения.
- Отпустить тормозной рычаг, кнопку и спусковой крючок.

6 ОСМОТР

Безопасность пользователей зависит от постоянной эффективности и крепости оборудования. В зависимости от местного законодательства, частоты использования и условий окружающей среды средства защиты от падения должны регулярно и не реже одного раза в 12 месяцев проверяться компетентным лицом в соответствии со стандартом ANSI Z359 / EN 365. Периодические проверки должны проводиться только компетентным лицом и строго в соответствии с процедурами периодической проверки производителя.

Перед каждым использованием и во время периодической проверки средство защиты от падения должно подвергаться визуальному осмотру, чтобы обеспечить, что:

- Зазор между механизмом замыкания и корпусом средства защиты от падения не должен превышать 5 мм / 0,118 дюйма (рис. 10).
- Зазор между петлями амортизатора должен быть менее 2 мм / 0,08 дюйма (рис. 11).
- Признаков износа, повреждений или других повреждений нет.
- Этикетки/маркировка продукта разборчивы.

Если вышеуказанные требования не выполняются, средство защиты от падения должно быть выведено из эксплуатации и заменено или отремонтировано. Ремонт может выполняться только производителем.



Предупреждение!

Средства защиты от падения, предотвратившие падение пользователя с высоты, должны быть выведены из эксплуатации.

7 ТЕХНИЧЕСКОЕ ОБСЛУЖИВАНИЕ

ОЧИСТКА

Очистку производить водой. Ни при каких обстоятельствах не использовать растворители или чистящие средства, содержащие кислоты/щелочи. Дать высохнуть естественным образом в хорошо проветриваемом помещении вдали от открытого огня или других источников тепла.

ПРОДОЛЖИТЕЛЬНОСТЬ ФУНКЦИОНИРОВАНИЯ

Надлежащий уход за средствами индивидуальной защиты поможет обеспечить их долговечность и вашу безопасность.

Срок службы средства защиты от падения зависит от частоты использования и условий эксплуатации. Во время ежегодных проверок, проводимых уполномоченным лицом или органом, средство защиты от падения будет допущено к дальнейшему использованию только в том случае, если изделие и его компоненты находятся в хорошем состоянии.

ТРАНСПОРТИРОВКА И ХРАНЕНИЕ

Во время транспортировки и хранения обеспечить, чтобы средства индивидуальной защиты находились вдали от источников тепла, влажности, агрессивной атмосферы, ультрафиолетовых лучей и т. д., а также избегать любых ударов или чрезмерной вибрации.

8 УПРАВЛЕНИЕ ИЗДЕЛИЯМИ

VC510 и VC570 имеют уникальные серийные номера сбоку на внешнем корпусе (см. Маркировку изделия, точка «N»).

RFID

VC570 включает в себя метку RFID (радиочастотная идентификация), содержащую уникальный идентификационный номер, который можно использовать для отслеживания имущества в соответствии со стандартом ISO 18000-63. RFID позволяет проводить быстрые выездные проверки и указывает информацию, включая номер модели, дату изготовления, номер инспекции/партии и стандарты, которым соответствует изделие. Помимо типа считывателя и метки RFID, оптимальное расстояние считывания RFID зависит от считывателя, ориентации метки и материала. Метка RFID находится под пластиковой крышкой средства защиты от падения – см. Маркировку изделия.



СПЕЦИФИКАЦИЯ

- Глобальная частота: 840 ~ 940 МГц
- Память EPC 128 бит, TID: 96 бит
- Хранение данных: 20 лет

РЕКОМЕНДАЦИИ

После очистки своего средства индивидуальной защиты отсканируйте RFID-метку, чтобы верифицировать, что она не повреждена.

9 ЗАЩИТА ОКРУЖАЮЩЕЙ СРЕДЫ



Символ WEEE указывает на то, что данное изделие нельзя утилизировать как бытовые отходы. Для защиты окружающей среды обеспечьте правильную утилизацию продукта. Для получения более подробной информации об утилизации этого изделия обратитесь в местные государственные институты, к поставщику услуг по утилизации бытовых/промышленных отходов или в точку продажи изделия.

Söll VC500 – vodeni omejevalnik padca za Söll Vi-Go/Antec CABMAX vertikalni sistem za preprečevanje padca

1 GENERAL INFORMATION

NORMATIVNE REFERENCE

Za ta izdelek velja spodnji seznam standardov in direktiv. Skladnost z relevantnimi standardi v tem priročniku je odgovornost uporabnika.

Spodnje referenčne skupine za standarde/direktive so veljavne glede na tržišče. Če se npr. izdelek uporablja v Evropski Uniji (EU), mora uporabnik zagotoviti skladnost s standardi/direktivami EU, vsi drugi standardi, omenjeni v uporabniškem priročniku, pa niso relevantni.

V tem dokumentu je togo sidrno vodilo imenovano tudi »vrvc« ali »vodilna vrv«.

EVROPSKI STANDARDI

EN 353-1+A1:2017-12 - Osebna oprema za zaščito pred padcem - vodeni omejevalniki padca vključno s sidrnim vodilom - 1. del: Vodeni omejevalniki padca za vodila vključno s togim sidrnim vodilom
CNB/P/11.119 - Uredba OVO (EU) 2016/425

AMERIŠKI STANDARDI IN UREDBE

ANSI-ASC A14.3-2008 - Fiksne lestve-varnostne zahteve
ANSI/ASSE Z359.16-2016 - Varnostne zahteve za vzpenjanje po lestvi - sistem za preprečevanje padca OSHA 1910.29 & 1926.502

KANADSKI STANDARDI

CSA Z259.2.5-17 - Omejevalniki padca in vertikalne rešilne vrvi

BRAZILSKI STANDARDI

NBR 14627 - Equipamento de proteção individual contra queda de altura - Travaqueda guiado em linha rígida

2 SISTEM

Omejevalnike padca serije Söll VC500 je mogoče uporabljati z vertikalnim sistemom za preprečevanje padca Söll Vi-Go/Antec CABMAX (v nadaljevanju »sistem za preprečevanje padca«) za ustrežanje standardu, navedenemu v naslednji preglednici:

		Söll Vi-Go sistem			ANTEC Cabmax
		brez zgornjega blažilnika sunkov	z zgornjim blažilnikom sunkov FPH_30176	z zgornjim blažilnikom sunkov TRTB/	
Omej	Söll VC510	<ul style="list-style-type: none"> • ANSI A14.3-2018 • OSHA 1910.29 & 1926.502 • EN 353-1+A1:2017-12 • UKCA 	<ul style="list-style-type: none"> • ANSI A14.3-2018* • OSHA 1910.29 & 1926.502* 	<ul style="list-style-type: none"> • ANSI A14.3-2018 • OSHA 1910.29 & 1926.502 	• EN 353-1+A1:2017-12
	Söll VC570	<ul style="list-style-type: none"> • ANSI Z359.16-2016 • OSHA 1910.29 & 1926.502 • CSA Z259.2.5-17 • EN 353-1+A1:2017-12 • UKCA 	<ul style="list-style-type: none"> • ANSI Z359.16-2016* • OSHA 1910.29 & 1926.502* 	<ul style="list-style-type: none"> • ANSI Z359.16-2016 • OSHA 1910.29 & 1926.502 • CSA Z259.2.5-17 	X

*Samo za 10 mm (3/8 palca) kabla in komponente iz nerjavečega jekla.

Vse omejevalnike padca serije Söll VC500 je mogoče uporabljati z vertikalnim sistemom za preprečevanje padca z avtomatskimi ali ročnimi prehodnimi nosilci z 8 mm (5/16") ali 10 mm (3/8") vrvmi. Več informacij lahko najdete v navodilih za namestitvev sistema Söll Vi-Go.

3 VARNOSTNA OPOZORILA

Oseba, ki dela z ali na sistemu za preprečevanje padca, mora biti pred uporabo sistema seznanjena s temi navodili. Oprema za preprečevanje padca ni dovoljeno uporabljati zunaj omejitvev ali v druge namene od navedenih. Uporaba, ki ni v skladu s temi navodili, predstavlja nevarnost za človeško življenje. Delavec mora biti pred začetkom dela in nato v rednih presledkih, vsaj enkrat letno, deležen usposabljanja, ki zajema ta navodila in informacije za uporabnike. Prepričajte se, da na varnostno funkcijo katere koli komponente ne vpliva varnostna funkcija druge komponente in da se medsebojno ne motita. Če je izdelek ponovno prodan zunaj izvirne države, mora prodajalec zagotoviti navodila za uporabo, za vzdrževanje, za občasne preglede in popravila v jeziku države, kjer bo izdelek uporabljen.

Upravljevec sistema za preprečevanje padca in uporabnik omejevalnika padca morata zagotoviti, da je ta priročnik vedno ustrezno shranjen in vedno na voljo za vpogled.

Upoštevati je treba nacionalne uredbe za preprečevanje nesreč in uporabo varovalne opreme za gradbena dela.

Vodeni omejevalnik padca je bistven del sistema za preprečevanje padca v skladu s standardi EN 353-1:2014+A1:2017, CSA Z259.2.5-17, ANSI A14.3-2008, in ANSI Z359.16-2016 ter je zasnovan za uporabo kot osebna varovalna oprema. Za zagotovitev pravilne uporabe sistema za preprečevanje padca mora upravljevec zagotoviti, da se varnostni pas za celotno telo in omejevalnik padca uporabljata v skladu s temi navodili. Po uporabi omejevalnika padca ne smete pustiti povezanega s sistemom za varno vzpenjanje. Omejevalnik padca se lahko uporablja samo v sklopu originalnega sistema za preprečevanje padca. Varnostni pas za celotno telo je edini dopustni pripomoček, ki podpira telo in ga je dovoljeno uporabljati v sistemu za preprečevanje padca. Sistem za varno vzpenjanje lahko uporabljate samo skupaj s pasovi za celotno telo, ki so preverjeni in odobreni v skladu s standardi EN 361:2002-05, NBR 15836, CSA Z259.2.5-17 ali ANSI Z359.16-2016 in so opremljeni s sprednjo pritrdilno točko.

Povezavo med omejevalnikom padca in pasom za celotno telo se vzpostavi s priklpom vponke omejevalnika padca na potrjen obroč pritrdišča z oznako »A« (velja samo pri skladnosti z EN 361:2002-05) na prsnem delu pasu za celotno telo. Razdalja med omejevalnikom padca in pasom za celotno telo ne sme biti zmanjšana ali povečana (npr. z dodajanjem ali odstranjevanjem konektorja).

Dolžine vponke ni dovoljeno podaljševati ali krajšati.

Na sistem je hkrati dovoljeno namestiti **največ 4 uporabnike** (vključno z uporabniki, ki so pritrjeni na sidrno točko, kadar se uporablja podaljšek platforme). Razen pri reševanjih lahko samo ena oseba naenkrat uporablja isti segment vertikalne vrvi med vmesnimi nosilci za vodila vrvi. Vsak uporabnik se more zavarovati z ločenim omejevalnikom padca. Vodeni omejevalnik padca je namenjen za uporabo **samo 1 osebe**. Razdalja med uporabniki **ne sme biti manjša od 3 m** (sl.1). Dejansko število uporabnikov je odvisno od obremenilne kapacitete osnovne strukture.

Minimalna obremenitev uporabnika brez oblačil in opreme je **50 kg**. Maksimalna obremenitev uporabnika skupaj z oblačili in opremo je **140 kg** in se je ne sme preseči.

Vodeni omejevalnik padca ne sme biti uporabljen za delovno pozicioniranje. Če je potrebno delovno pozicioniranje, je treba uporabiti opremo za delovno pozicioniranje.

Omejevalnika padca se med spuščanjem/dviganjem zaradi varnosti ne smete dotikati.

Točke za pritrditev vrvi sistema za preprečevanje padca ni dovoljeno uporabljati za pritrdjevanje bremen.

Pred in med uporabo nameščenega sistema za preprečevanje padca je potreben vizualni pregled sistema za zagotovitev ustreznega delovanja.

Delovna temperatura je **od -40 °C do +70 °C**; zagotovite, da sistem ni zamaščen, naoljen ali leden. Upravljevec se mora glede svojega zdravja posvetovati z zdravnikom in ne sme biti pod vplivom alkohola, drog ali zdravil, ki bi lahko vplivala na varno uporabo izdelka.



Pomembno!

Če ta višina ni vsaj 3 metre, morda uporabnik ne bo dovolj zaščiten pred udarcem v tla ali ovirami. Pred uporabo sistema za varno vzpenjanje zagotovite, da je pod nogami uporabnika dovolj prostora.



Opozorilo

Pred uporabo tega omejevalnika padca morate prebrati in razumeti ta navodila za uporabo ter vsa dodatna navodila, predložena med usposabljanjem ali skupaj s sistemom za preprečevanje padca.



Opozorilo

Vsakršne spremembe ali dodajanja napravi za preprečevanje padca serije Söll VC500 brez pisnega potrdila proizvajalca so prepovedane, saj lahko preprečijo ustrezno delovanje naprave za preprečevanje padca.

TA PRIROČNIK HRANITE ZA NADALJNJO UPORABO - NE ZAVRZITE GA!

4 PODALJŠEK PLATFORME SIDRIŠČA

Platforma Honeywell Söll Vi-Go je potrjena sidrna točka za zaščito pred padcem za:

- **2 osebi** v skladu z EN 795:2012 in CEN/TS 16415:2013
- **1 osebo** v skladu z ANSI Z359.18.

Ušesce jeklene sidrne plošče (sl. 2, pol. 1) služi kot sidrna točka.

Zato je uporabnik med prehajanjem iz navpičnega v vodoravni položaj zaščiten pred padcem. Izogniti se morate točkam spotikanja na vhodnem in delovnem območju.



Opozorilo!

Sidrišča ne smete več uporabljati, če je bilo sidrno ušesce podvrženo padcu. V tem primeru mora sidrišče pregledati usposobljena oseba in ga po potrebi zamenjati.

Podaljšek platforme sidrišča lahko uporabljate samo skupaj z naslednjo varovalno opremo:

- sistemi za osebno zaščito pred padcem v skladu z EN 363 ali ANSI/ASSP Z359.1:2020-00
- naprave za absorbiranje energije v skladu z EN 355 ali ANSI/ASSP Z359.13:2013-00
- reševalni sistemi v skladu z EN 1496 ali ANSI/ASSP Z359.4:2013-00, EN 1479, EN 1498 in ANSI/ASSP Z359.4:2013-00

Sistem osebne varovalne opreme proti padcu (samo z napravo za absorbiranje energije) ali reševalni sistem je treba izbrati tako, da se je mogoče izogniti trku uporabnika s tlemi ali trku z drugimi ovirami. Upoštevajte navodila za uporabo proizvajalca.

Za zavarovanje pred padcem mora biti kavelj z vponko (sl. 3, pol. 2) povezane naprave nameščen na ušescu jeklene sidrne plošče (sl. 3, pol. 1) in zaklenjen, da ne more priti do neželenega odklepa.



Nevarnost!

Karbinske vponke povezane naprave se ne sme odklopiti iz sidrišča, dokler uporabnik pred padcem ni zaščiten z drugim sistemom za preprečevanje padca.

5 UPORABA



Pomembno!

5.1 PREGLEDI PRED VZPENJANJEM

- Pred vsako uporabo pregledajte vrvi, napetost vrvi, omejevalnik padca in vponke za njihovo uporabnost.
- Sistema za preprečevanje padca ni dovoljeno uporabljati, če opazite okvare ali ste v dvomih glede pravilnega delovanja. Pred nadaljnjo uporabo je potreben pregled s strani usposobljenega strokovnjaka, okvarjeni deli morajo biti zamenjani.
- Pred uporabo sistema za preprečevanje padca mora biti pripravljen reševalni načrt.



Opozorilo!

Če se varnostni pas med vzpenjanjem ali spuščanjem sprosti, ga v varnem položaju pravilno prilagodite.

Pri delu na ali ob poti dvigovanja in med opravili in dejanji, ki niso del običajnih premikov med dvigovanjem in spuščanjem, se mora plezalec dodatno zavarovati z rešilno vrvo v skladu z EN 354 ali z vrvo za delovno pozicioniranje v skladu z EN 358:2018-11 ali ANSI/ASSP Z 359.4:2013-00. To velja tudi pri premoru na lestvi za zaustavitev padca. Uporabiti je treba samo primerna sidrišča. V vseh tovrstnih situacijah se morate trdno držati za rešilno vrvo, da preprečite padec.



Pomembno!

Omejevalnik padca serije Söll VC500 lahko uporabljate samo s sistemi z najv. naklonom 15° iz navpične v vse smeri.



Pomembno!

Omejevalnik padca v skladu s standardi EN 353-1+A1:2017-12, CSA Z259.25-17, ANSI A14.3-2008, ANSI Z359.16-2016 in NBR 14627 lahko uporabljajo samo osebe, ki:

- so bile usposobljene ali so kako drugače pooblaščen
- jih neposredno nadzoruje usposobljena ali pooblaščen oseba.

5.2 POVEZAVA S SISTEMOM

- Konstrukcija omogoča pritrditev **8 mm** ali **10 mm** galvaniziranih vrvi ali vrvi iz nerjavnega jekla, ki so del sistema Söll Vi-Go.
- Omejevalnik padca ima mehanizem, ki preprečuje nepravilno namestitev omejevalnika padca na vrv.

5.3 POVEZAVA OMEJEVALNIKA PADCA Z VARNOSTNIM PASOM ZA CELOTNO TELO

- Potegnite nazobčano matico vponke navzdol.
- Nato jo obrnite in pritisnite navznoter.
- Priključite jo neposredno na prsno točko varnostnega pasu za celotno telo.
- Spustite matico, ki se zaklene samodejno.



Nevarnost!

Nezavarovana vponka (odprta nazobčana matica) predstavlja nevarnost za življenje. Prsni jermen pasu za celotno telo se mora tesno prilegati telesu (sl. 4).



Nevarnost!

Vponko omejevalnika padca morate vstaviti neposredno v prsno točko za pritrditev varnostnega pasu za celotno telo (sl. 5, 6, 7).

5.4 VSTAVLJANJE VODILNE VRVI

VC510

- Zadrževalnik padca držite tako, da puščica na ohišju kaže navzgor.
- Potisnite vponko z zavornim vzvodom navzgor (sl. 8a).
- Potegnite zaklepni gumb stran od omejevalnika padca, ki ga nato potegnite stran od vrvi (sl. 8b).
- Reža v ohišju omejevalnik padca je zdaj odprta, skoznjo omejevalnik padca namestite na vrv tako, da puščica na ohišju kaže navzgor (sl. 8c).
- Spustite zavorni vzvod in zaklepni gumb.
- Söll VC510 je zdaj povezan z vodilno vrvjo.
- Preverite, da omejevalnik padca lahko prosto vertikalno drsi na vodilni vrvi.
- Preverite delovanje zaklepanja in prestreznega mehanizma tako, da premaknete zavorni vzvod.

VC570

- Zadrževalnik padca držite tako, da puščica na ohišju kaže navzgor.
- Potisnite vponko z zavornim vzvodom navzgor (sl. 9a).
- Zgornji gumb pritisnite navzdol v ohišje omejevalnika padca (sl. 9b, pol. 1).
- Sprožilec pritisnite navzdol v ohišje omejevalnika padca (sl. 9b, pol. 2).
- Reža v ohišju omejevalnik padca je zdaj odprta, skoznjo omejevalnik padca namestite na vrv tako, da puščica na ohišju kaže navzgor (sl. 9c).
- Sprostite zavorni vzvod, gumb in sprožilec.
- Söll VC570 je zdaj povezan z vodilno vrvjo.
- Preverite, da omejevalnik padca lahko prosto vertikalno drsi na vodilni vrvi.
- Preverite delovanje zaklepanja in prestreznega mehanizma tako, da premaknete zavorni vzvod.

5.5 ODSTRANJEVANJE OMEJEVALNIKA PADCA IZ VODILNE VRVI



Opozorilo!

Preden uporabnik odstrani omejevalnik padca iz vertikalne vrvi ali ga sname s pasu, mora biti na drug način zavarovan in zaščiten pred padcem z višine!

VC510

- Potisnite vponko z zavornim vzvodom navzgor.
- Potegnite zaklepni gumb stran od omejevalnika padca, ki ga nato potegnite stran od vrvi.
- Sedaj je reža v ohišju omejevalnika padca odprta, zato ga lahko odstranite.
- Spustite zavorni vzvod in zaklepni gumb.

VC570

- Potisnite vponko z zavornim vzvodom navzgor.
- Zgornji gumb pritisnite navzdol v ohišje omejevalnika padca.
- Sprožilec pritisnite navzdol v ohišje omejevalnika padca.
- Sedaj je reža v ohišju omejevalnika padca odprta, zato ga lahko odstranite.
- Sprostite zavorni vzvod, gumb in sprožilec.

6 PREGLED

Varnost uporabnikov je odvisna od neprekinjene učinkovitosti in trpežnosti opreme. Glede na lokalno zakonodajo, pogostost uporabe in okoljske pogoje mora omejevalnike padca redno pregledovati pristojna oseba, in sicer najmanj vsakih 12 mesecev v skladu z ANSI Z359 / EN 365. Redne preglede lahko izvaja samo kompetentna oseba in strogo v skladu s proizvajalčevimi postopki za redne preglede.

Pred vsako uporabo in med rednim pregledom je treba omejevalnik padca vizualno pregledati in zagotoviti:

- Reža med zaklepnim mehanizmom in ohišjem omejevalnika padca ne sme biti večja od 5 mm (glej sl. 10).
- Reža med zankami blažilnika ne sme biti večja od 2 mm (sl. 11).
- Ni znakov obrabe, poškodb ali drugih znakov poslabšanja.
- Oznake/etikete izdelka so berljive.

Če zgornje zahteve niso izpolnjene, je treba omejevalnik padca umakniti iz uporabe in ga zamenjati ali popraviti. Popravila lahko opravi le proizvajalec.



Opozorilo!

Omejevalnik padca, ki je zaustavil padec uporabnika z višine, je treba odstraniti iz uporabe.

7 VZDRŽEVANJE

ČIŠČENJE

Čistite z vodo. V nobenih pogojih ne uporabljajte topil ali kislil/alkalnih sredstev, ki vsebujejo čistilna sredstva. Posušite na zraku in v dobro zračnem prostoru, kjer ni možnosti odprtega ognja ali drugih virov vročine.

ŽIVLJENJSKA DOBA

Ustrezna nega vaše OVO zagotovi boljše dolgotrajnost izdelka in vašo varnost.

Življenjska doba omejevalnika padca je odvisna od pogostosti uporabe in pogojev delovanja. Po letnih pregledih, ki jih opravi pooblaščen oseba ali organ, bo omejevalnik padca odobren za nadaljnjo uporabo samo, če je izdelek s komponentami v dobrem stanju.

PREVOZ IN SKLADIŠČENJE

Med transportom in shranjevanjem se pripravite, da vaša OVO ni ob virih toplote, vlage, v korozivni atmosferi, med ultravijoličnimi žarki ipd. in preprečite izpostavljenost kakršnim koli udarcem ali prekomernim tresljajem.

8 UPRAVLJANJE IZDELKOV

Na strani zunanjega ohišja **VC510 in VC570** so navedene edinstvene serijske številke (glejte oznako izdelka, točka »N«).

RFID

VC570 ima oznako RFID (radiofrekvenčna identifikacija), ki jo lahko uporabljate za sledenje sredstvom v skladu z ISO 18000-63. RFID omogoča hitre poljske preglede in navaja informacije, vključno s številko modela, datumom proizvodnje, inšpekcijsko/serijsko številko in izpolnjenimi standardi. Poleg vrste bralnika in oznake RFID je optimalna razdalja za branje RFID odvisna od bralnika, usmeritve oznake in materiala.

Oznaka RFID je nameščena pod plastičnim pokrovom omejevalnika padca - glejte oznako izdelka.



SPECIFIKACIJE

- Frekvenca globalno: 840 ~ 940 MHz
- Pomnilnik EPC 128 bitov, TID: 96 bit
- Hramba podatkov: 20 let

PRIPOROČILA

Ko ste očistili OVO, skenirajte svojo oznako RFID in preverite, da se ni poškodovala.

9 VAROVANJE OKOLJA



Simbol OEEE označuje, da s tem izdelkom ni dovoljeno ravnati kot z običajnimi gospodinjstskimi odpadki.

Za zaščito okolja poskrbite, da bo izdelek pravilno odstranjen. Za podrobnejše informacije o recikliranju tega izdelka se obrnite na lokalne oblasti, pristojne za odstranjevanje gospodinjstskih/industrijskih odpadkov ali trgovino, v kateri ste kupili izdelek.

Söll VC500 - Zachytávač pádu vedeného typu pre vertikálny zachytávací systém Söll Vi-Go/Antec CABMAX

1 VŠEOBECNÉ INFORMÁCIE

NORMATÍVNE ODKAZY

Na tento produkt sa vzťahujú nižšie uvedené normy a smernice. Je zodpovednosťou používateľa dodržiavať príslušné normy uvedené v tomto návode.

Nižšie uvedené referenčné skupiny noriem/smeríc sa uplatňujú podľa trhu, napr. ak sa výrobok používa v Európskej únii (EU), používateľ musí spĺňať normy/smerice EÚ a všetky ostatné normy uvedené v príručke pre používateľa nie sú relevantné.

V tomto dokumente sa pevné kotviace lano označuje aj ako „lano“ alebo „vodiace lano“.

EURÓPSKE NORMY

EN 353-1+A1:2017-12 - Osobné ochranné prostriedky proti pádu - Zachytné zariadenia vedeného typu na pevnom kotviacom vedení - Časť 1: Zachytné zariadenia vedeného typu na pevnom kotviacom vedení
 CNB/P/11.119 - Nariadenie o OOP (EÚ) 2016/425

AMERICKÉ NORMY A PREDPISY

ANSI-ASC A14.3-2008 - Ladders - Fixed - Safety Requirements

ANSI/ASSE Z359.16-2016 - Safety Requirements for Climbing Ladder Fall Arrest Systems OSHA 1910.29 & 1926.502

KANADSKÉ NORMY

CSA Z259.2.5-17 - Fall Arresters and vertical lifelines

BRAZÍLSKE NORMY

NBR 14627 - Equipamento de proteção individual contra queda de altura - Travaquada guiado em linha rígida

2 SYSTÉM

Zachytávače pádu série Söll VC500 sa môžu používať so systémom vertikálneho zachytenia pádu Söll Vi-Go/ Antec CABMAX (ďalej len „systém zachytenia pádu“) a spĺňajú normy uvedené v nasledujúcej tabuľke:

		Systém Söll Vi-Go			ANTEC Cabmax
		bez horného tlmieča pádu	s horným tlmiečom pádu FPH_30176	s horným tlmiečom pádu typu TRTB/	
Zachytávač pádu	Söll VC510	<ul style="list-style-type: none"> • ANSI A14.3-2018 • OSHA 1910.29 & 1926.502 • EN 353-1+A1:2017-12 • UKCA 	<ul style="list-style-type: none"> • ANSI A14.3-2018* • OSHA 1910.29 & 1926.502* 	<ul style="list-style-type: none"> • ANSI A14.3-2018 • OSHA 1910.29 & 1926.502 	<ul style="list-style-type: none"> • EN 353-1+A1:2017-12
	Söll VC570	<ul style="list-style-type: none"> • ANSI Z359.16-2016 • OSHA 1910.29 & 1926.502 • CSA Z259.2.5-17 • EN 353-1+A1:2017-12 • UKCA 	<ul style="list-style-type: none"> • ANSI Z359.16-2016* • OSHA 1910.29 & 1926.502* 	<ul style="list-style-type: none"> • ANSI Z359.16-2016 • OSHA 1910.29 & 1926.502 • CSA Z259.2.5-17 	X

*Len pre 10 mm (3/8 palca) káble a komponenty z nehrdzavejúcej ocele.

Všetky zachytávače pádu série Söll VC500 sa môžu používať s vertikálnymi systémami zachytenia pádu s automatickými alebo manuálnymi prechodnými konzolami, s lanami 8 mm (5/16") alebo 10 mm (3/8"). Ďalšie informácie nájdete v inšalačnej príručke systému Söll Vi-Go.

3 BEZPEČNOSTNÉ OPATRENIA

Každý, kto pracuje s vertikálnym zachytávacím systémom alebo na ňom, musí byť oboznámený s týmito pokynmi ešte pred použitím systému. Toto vybavenie na zachytenie pádu sa nesmie vystavovať nadmernej záťaži alebo používať na akýkoľvek iný účelom, než na ktorý je určené. Používanie, ktoré nie je v súlade s týmito pokynmi, predstavuje ohrozenie ľudského života. Pracovníci musia dostať školenie o týchto pokynoch a informáciách pre používateľov pred začatím práce a potom najmenej raz ročne. Zabezpečte, aby bezpečnostná funkcia ziadneho ako osobný bezpečnostný prostriedok. Na zabezpečenie správneho používania systému zachytenia pádu musí prevádzkovateľ zabezpečiť, aby sa celotelový stroj a zachytávač pádu používali v súlade s týmito pokynmi. Po použití zachytávač pádu nesmie zostať pripojený k bezpečnému systému lezenia. Zachytávač pádu sa musí používať len v pôvodnom systéme zachytenia pádu. Celotelový stroj je jediným prijateľným zadržiacim zariadením tela, ktoré sa môže používať v systéme zachytenia pádu. Bezpečný systém lezenia sa musí používať len v spojení s celotelovými strojmi, ktoré boli testované a schválené v súlade s normami EN 361:2002-05, NBR 15836, ČSA Z259.2.5-17, alebo ANSI Z359.16-2016 a sú vybavené predným pripájacím bodom.

Ak chcete dosiahnuť spojenie medzi zachytávačom pádu a celotelovým strojom, pripojte karabinový hák zachytávača pádu k certifikovanému kotviacemu krúžku s označením "A" (platí len v súlade s normou EN 361:2002-05) v hrudnej časti celotelového stroja. Vzdialenosť medzi zachytávačom pádu a celotelovým strojom nesmie byť skracovaná alebo predĺžovaná (napr. pridaním alebo odstránením spojovacieho prvku). Dĺžka karabiny nesmie byť predĺžená ani skrátená.

K systému môžu byť súčasne pripojení **maximálne 4 používatelia** (vrátane používateľov pripojených ku kotviacemu bodu, ak sa používa predĺženie plošiny). S výnimkou záchranných operácií by mala ten istý úsek vertikálneho lana medzi stredovými konzolami na vedenie lana používať vždy len jedna osoba. Každý užívateľ sa musí zaistiť zachytávačom pádu samostatne. Zachytávač pádu vedeného typu je určený na použitie **len 1 osobou**. Vzdialenosť medzi používateľmi **nesmie byť menšia ako 3 m / 10 ft** (Obr. 1). Skutočný počet používateľov závisí od záťažovej kapacity základnej konštrukcie.

Minimálne zaťaženie používateľom bez odevu a vybavenia je **50 kg / 110 lb**. Maximálne zaťaženie používateľom vrátane odevu a vybavenia je **140 kg / 310 lb** a nesmie sa prekročiť.

Zachytávač pádu vedeného typu sa nesmie používať na pracovné polohovanie. Ak je potrebné pracovné polohovanie, musí sa použiť vybavenie na pracovné polohovanie.

Počas výstupu/zostupu sa nemožno dotýkať zachytávača pádu, aby sa zabezpečila bezpečnosť. Upevňovacie body lana systému zachytenia pádu sa nesmú používať na zabezpečenie bremien.

Pred a počas používania nainštalovaného systému zachytenia pádu sa musí systém vizuálne kontrolovať, aby sa zaistilo, že funguje správne.

Pracovná teplota je **-40 °C až +70 °C / -40 °F až 158 °F**; zabezpečte, aby systém nebol znečistený tukom, olejom a ľadom. Používateľ musí konzultovať svoj zdravotný stav s lekárom a nesmie byť pod vplyvom alkoholu, drog alebo liekov, ktoré by mohli ovplyvniť bezpečné používanie výrobku.



Dôležité!

Používateľ nemusí byť dostatočne chránený proti nárazu do zeme alebo prekážok, ak je vo výške menšej ako 3 m/10 ft. Pred použitím systému bezpečného lezenia sa uistite, že pod nohami používateľa je potrebný voľný priestor.



Upozornenie

Pred použitím tohto zachytávača pádu si používateľ musí prečítať a pochopiť tento návod na obsluhu a všetky ďalšie pokyny poskytnuté počas školenia alebo poskytnuté spolu so zachytávačom pádu alebo systémom zachytenia pádu.



Upozornenie

Akékoľvek zmeny alebo doplnky zachytávača pádu Söll VR500, ktoré neboli písomne odsúhlasené výrobcom, môžu zabrániť správne fungovaniu zachytávača pádu, a preto sú zakázané.

**USCHOVAJTE SI TENTO NÁVOD NA POUŽITIE V BUDÚCNOSTI -
NEZAHADZUJTE HO!**

4 PREDĽŽENIE PLATFORMY KOTVIACEHO ZARIADENIA

Predĺženie plošiny Honeywell Söll Vi-Go je certifikovaný kotviaci bod na ochranu proti pádu pre:

- 2 osoby podľa EN 795:2012 a CEN/TS 16415:2013
- 1 osobu podľa normy ANSI Z359.18.

Oko kotviacej ocelevej platne (Obr. 2, poz.1) slúži ako kotviaci bod.

Používateľ tak môže byť chránený pred pádom pri prechode z vertikálneho do horizontálneho smeru. Vo vstupnom a pracovnom priestore je potrebné sa vyhnúť miestam s rizikom zakopnutia.



Upozornenie!

Ak bolo kotviace oko zafixované pádom, kotviace zariadenie sa nesmie používať. V tomto prípade musí byť kotviace zariadenie skontrolované oprávnenou osobou a v prípade potreby vymenené.

Predĺženie plošiny kotviaceho zariadenia sa môže používať len v kombinácii s nasledujúcim bezpečnostným zariadením:

- osobné ochranné systémy proti pádu v súlade s normou EN 363 alebo ANSI/ASSP Z359.1:2020-00,
- tlmiče pádu v súlade s normou EN 355 alebo ANSI/ASSP Z359.13:2013-00,
- záchranné systémy v súlade s EN 1496 alebo ANSI/ASSP Z359.4:2013-00, EN 1479, EN 1498 a ANSI/ASSP Z359.4:2013-00.

Systém osobných ochranných prostriedkov proti pádu (len s tlmičom pádu) alebo záchranný systém sa musí zvoliť tak, aby sa zabránilo kolízii používateľa so zemou alebo kolízii s inými prekážkami. Dodržiavajte návod na použitie od výrobcu.

Na zabezpečenie proti pádu musí byť hák karabiny (Obr. 3, poz. 2) spojovacieho zariadenia nainštalovaný na oko kotviacej ocelevej platne (Obr. 3, poz. 1) a zaistený, aby sa zabránilo neúmyselnému odpojeniu.



Nebezpečenstvo!

Hák karabiny spojovacieho zariadenia sa nesmie odpojiť od kotviaceho zariadenia skôr, ako bude užívateľ chránený proti pádu iným prostriedkom.

5 POUŽITIE



Dôležité!

5.1 KONTROLA PRED LEZENÍM:

- Pred každým použitím skontrolujte lano, napnutie lana, zachytávač pádu a karabiny, či sú použiteľné.
- Systém zastavenia pádu sa nesmie používať, ak boli zistené nedostatky alebo ak existujú pochybnosti o jeho správnej funkcii. Pred ďalším použitím je potrebná kontrola kompetentnou osobou a je potrebné chybné súčiastky vymeniť.
- Pred použitím systému zachytenia pádu musí byť vypracovaný záchranný plán.



Upozornenie

Ak sa postroj počas výstupu alebo zostupu uvoľní, dosiahnite bezpečnú polohu a správne ho nastavte.

Pri práci na alebo v blízkosti trasy stúpania a počas prác a činností, ktoré nie sú bežnými pohybmi stúpania a klesania, sa lezec musí dodatočne zabezpečiť poistným lanom podľa normy EN 354 alebo pracovným polohovacím lanom podľa normy EN 358:2018-11 alebo ANSI/ASSP Z 359.4:2013-00. Platí to aj pre nepracovné polohy počas odpočinku na rebriku pre zachytenie pádu. Musia sa používať iba vhodné kotviace zariadenia. Vo všetkých týchto situáciách musí byť poistné lano pevne pripojené, aby sa zabránilo pádu.



Dôležité!

Zachytávač pádu Söll VC500 sa musí používať len na systémoch so sklonom max. 15° od vertikály vo všetkých smeroch.



Dôležité!

Zachytávač pádu podľa EN 353-1+A1:2017-12, CSA Z259.2.5-17, ANSI A14.3-2008, ANSI Z359.16-2016, a NBR 14627 môžu používať len osoby, ktoré:

- boli vyškolené alebo inak kvalifikované,
- sú pod priamym dohľadom vyškolenej alebo kvalifikovanej osoby.

5.2 PRIPOJENIE K SYSTÉMU:

- Konštrukcia umožňuje upevnenie na 8 mm (5/16") alebo 10 mm (3/8") galvanizované alebo nerezové laná, ktoré sú súčasťou systému Söll Vi-Go.
- Zachytávač pádu má mechanizmus, ktorý pomáha zabrániť nesprávnemu pripojeniu zachytávača pádu k lanu.

5.3 PRIPOJENIE ZACHYTÁVAČA PÁDU K CELOTELOVÉMU POSTROJU:

- Stiahnite vrúbkovanú poistku karabíny.
- Potom otočte vrúbkovanú poistku a zatlačte ju dovnútra.
- Pripojte ju priamo k hrudnému pripojnému prvku celotelového postroja.
- Uvoľnite vrúbkovanú poistku, automaticky sa zaistí.



Nebezpečenstvo!

Nezabezpečená karabína (otvorená vrúbkovaná poistka) je nebezpečná pre ľudský život. Brušný alebo hrudný pás celotelového postroja musí tesne priliehať k telu (Obr. 4).



Nebezpečenstvo!

Karabína zachytávača pádu musí byť priamo vložená do hrudného pripájacieho bodu celotelového postroja (Obr. 5, 6, 7).

5.4 VLOŽENIE VODIACEHO LANA

VC510

- Držte zachytávač pádu tak, aby šípka na kryte smerovala nahor.
- Zdvihnite karabínu s brzdovou pákou nahor (Obr. 8a).
- Vytiahnite zaistovací gombík zo zachytávača pádu a potom ho posuňte preč od lana (Obr. 8b).
- Cez teraz otvorenú medzeru v telese zachytávača pádu umiestnite zachytávač pádu na lano tak, aby šípka na telese ukazovala nahor (Obr. 8c).
- Uvoľnite brzdíacu páku a zaistovací gombík.
- Söll VC510 je teraz pripojený k vodiacemu lanu.
- Skontrolujte, či sa zachytávač pádu môže voľne vertikálne pohybovať na vodiacom lane.
- Skontrolujte funkciu blokovacieho a zaistovacieho mechanizmu posunutím brzdovej páky.

VC570

- Držte zachytávač pádu tak, aby šípka na kryte smerovala nahor.
- Zdvihnite karabínu s brzdovou pákou nahor (Obr. 9a).
- Stlačte horné tlačidlo smerom nadol, do tela zachytávača pádu (Obr. 9b, poz. 1).
- Stlačte spúšť do tela zachytávača pádu (Obr. 9b, poz. 2).
- Cez teraz otvorenú medzeru v telese zachytávača pádu umiestnite zachytávač pádu na lano tak, aby šípka na telese ukazovala nahor (Obr. 9c).
- Uvoľnite brzdovú páku, tlačidlo a spúšť.
- Söll VC570 je teraz pripojený k vodiacemu lanu.
- Skontrolujte, či sa zachytávač pádu môže voľne vertikálne pohybovať na vodiacom lane.
- Skontrolujte funkciu blokovacieho a zaistovacieho mechanizmu posunutím brzdovej páky.

5.5 ODPOJENIE ZACHYTÁVAČA PÁDU OD VODIACEHO KÁBLA



Upozornenie!

Pred odpojením zachytávača pádu od vertikálneho lana alebo pred odpojením od postroja musia byť používatelia chránení pred pádom z výšky iným spôsobom!

VC510

- Zdvihnite karabínu s brzdovou pákou nahor.
- Vytiahnite zaistovací gombík zo zachytávača pádu a potom ho posuňte preč od lana.
- Cez teraz otvorenú medzeru v telese zachytávača pádu odpojte zachytávač pádu.
- Uvoľnite brzdíacu páku a zaistovací gombík.

VC570

- Zdvihnite karabínu s brzdovou pákou nahor.
- Stlačte horné tlačidlo smerom nadol, do tela zachytávača pádu.
- Stlačte spúšť do tela zachytávača pádu.
- Cez teraz otvorenú medzeru v telese zachytávača pádu odpojte zachytávač pádu.
- Uvoľnite brzdovú páku, tlačidlo a spúšť.

6 KONTROLA

Bezpečnosť používateľov závisí od trvalej účinnosti a trvanlivosti zariadenia. V závislosti od miestnych právnych predpisov, frekvencie používania a podmienok prostredia musí zachytávač pádu pravidelne kontrolovať kompetentná osoba, a to najmenej každých 12 mesiacov podľa normy ANSI Z359 / EN 365. Pravidelné kontroly môže vykonávať iba osoba kompetentná na vykonávanie pravidelných prehliadok a prísne v súlade s výrobcom určenými postupmi kontroly.

Pred každým použitím a počas pravidelnej kontroly sa musí zachytávač pádu vizuálne skontrolovať, aby sa zabezpečilo, že:

- Medzera medzi blokovacím mechanizmom a telesom zachytávača pádu nesmie byť väčšia ako **5 mm / 0.11 in** (Obr. 10).
- Medzera medzi slučkami tlmiča musí byť menšia ako 2 mm / 0.08 in (Obr. 11).
- Nie sú na ňom žiadne známky opotrebovania, poškodenia alebo iného znehodnotenia.
- Etikety/označenia výrobku sú čitateľné.

Ak nie sú splnené vyššie uvedené požiadavky, zachytávač pádu sa musí vyradiť z používania a vymeniť alebo opraviť. Opravy môže vykonávať iba výrobca.



Upozornenie!

Zachytávač pádu, ktorý zastavil pád používateľa z výšky, sa musí vyradiť z používania.

7 ÚDRŽBA

ČISTENIE

Čistíte vodu. Za žiadnych okolností nepoužívajte žiadne čistiace prostriedky obsahujúce riedidlá ani kyseliny / alkalicke látky. Nechajte prirodzene vyschnúť dobre vetranom mieste, mimo akéhokoľvek otvoreného ohňa alebo iných zdrojov tepla.

ŽIVOTNOSŤ

Správna starostlivosť o váš OOP pomôže zabezpečiť dlhšiu životnosť produktu a vašu bezpečnosť.

Prevádzková životnosť zachytávača pádu závisí od frekvencie používania a prevádzkových podmienok. Počas každoročnej kontroly vykonávanej autorizovanou osobou alebo orgánom, sa zachytávač pádu uvoľní na ďalšie použitie, len ak je výrobok a jeho komponenty v dobrom stave.

PREPRAVA A SKLADOVANIE

Počas prepravy a skladovania sa uistite, že sú OOP umiestnené mimo zdrojov tepla, vlhkosti, korozívnej atmosféry, ultrafialových lúčov atď., a vyhnite sa pôsobeniu nárazov a nadmerných vibrácií.

8 MANAŽMENT POLOŽIEK

VC510 a VC570 majú jedinečné sériové čísla na bočnej strane vonkajšieho telesa (pozri Označenie výrobku, bod „N“).

RFID

VC570 obsahuje štítok RFID (rádiofrekvenčná identifikácia) s jedinečným identifikačným číslom, ktoré možno použiť na sledovanie majetku podľa normy ISO 18000-63. RFID umožňuje rýchle inšpekcie v teréne a špecifikuje informácie vrátane čísla modelu, dátumu výroby, čísla kontroly/dávky a noriem, ktoré sú splnené. Okrem typu čítačky a štítku RFID sa optimálna vzdialenosť čítania RFID líši v závislosti od čítačky, orientácie štítkov a materiálu.

Štítok RFID je umiestnený pod plastovým krytom zachytávača pádu - pozri označenie výrobku.



ŠPECIFIKÁCIE

- Globálna frekvencia: 840 ~ 940 MHz
- Pamäť EPC 128 bitov, TID: 96 bitov
- Uchovanie údajov: 20 rokov

ODPORÚČANIA

Po vyčistení vášho OOP si, naskenujte štítok RFID, aby ste si overili, či nedošlo k jeho poškodeniu.

9 OCHRANA ŽIVOTNÉHO PROSTREDIA



Symbol WEEE znamená, že s týmto produktom sa nesmie nakladať ako s odpadom z domácnosti.

V záujme ochrany životného prostredia zabezpečte správnu likvidáciu výrobku. Podrobnejšie informácie o recyklácii tohto výrobku získate od svojho miestneho orgánu, vášho dodávateľa služieb pre likvidáciu odpadu z domácnosti/priemyslu, alebo obchodu, kde ste výrobok zakúpili.

Söll VC500 - Navođeni zaštitnik od pada za Söll Vi-Go/Antec CABMAX vertikalni sistem za zaštitu od pada

1 OPŠTE INFORMACIJE

NORMATIVNE REFERENCE

Ovaj proizvod se odnosi na listu standarda i direktiva navedenih u daljem tekstu. Odgovornost korisnika je da se pridržava relevantnih standarda navedenih u ovom uputstvu za upotrebu.

Referentne grupe standarda/direktiva koje su navedene u daljem tekstu su primenljive u zavisnosti od tržišta, npr. ako se proizvod koristi u Evropskoj uniji (EU) korisnik mora biti usklađen sa standardima/direktivama EU, a svi ostali standardi pomenuti u uputstvu za upotrebu nisu relevantni.

U ovom dokumentu, kruti vod za ankerisanje se takođe naziva „uže“ ili „uže za navođenje“.

EVROPSKI STANDARDI

EN 353-1+A1:2017-12 - Lična oprema za zaštitu od pada - Zaštitnici od pada sa navođenjem koji uključuju vod za ankerisanje - Deo 1: Zaštitnici od pada sa navođenjem koji uključuju vod za ankerisanje
 CNB/P/11.119 – Uredba o LZO (EU) 2016/425

AMERIČKI STANDARDI I PROPISI

ANSI-ASC A14.3-2008 - Merdevine-Fiksne-bezbednosni zahtevi

ANSI/ASSE Z359.16-2016 - Bezbednosni zahtevi za sisteme za sprečavanje pada sa merdevina OSHA 1910.29 i 1926.502

KANADSKI STANDARDI

CSA Z259.2.5-17 - Zaštita od pada i vertikalna užad za spašavanje

BRAZILSKI STANDARDI

NBR 14627 - Equipamento de proteção individual contra queda de altura - Travaqueda guiado em linha rígida

2 SISTEM

Zaštitnici od pada Söll VC500 serije mogu se koristiti sa Söll Vi-Go/Antec CABMAX vertikalnim sistemom za zaštitu od pada (u daljem tekstu „sistem za zaštitu od pada“) i zadovoljavaju standard naveden u sledećoj tabeli:

		Söll Vi-Go sistem			ANTEC Cabmax
		bez amortizera na vrhu	Sa amortizerom na vrhu FPH_30176	Sa amortizerom na vrhu tipa TRTB/	
Zaštitnik od pada	Söll VC510	<ul style="list-style-type: none"> • ANSI A14.3-2018 • OSHA 1910.29 & 1926.502 • EN 353-1+A1:2017-12 • UKCA 	<ul style="list-style-type: none"> • ANSI A14.3-2018* • OSHA 1910.29 & 1926.502* 	<ul style="list-style-type: none"> • ANSI A14.3-2018 • OSHA 1910.29 & 1926.502 	<ul style="list-style-type: none"> • EN 353-1+A1:2017-12
	Söll VC570	<ul style="list-style-type: none"> • ANSI Z359.16-2016 • OSHA 1910.29 & 1926.502 • CSA Z259.2.5-17 • EN 353-1+A1:2017-12 • UKCA 	<ul style="list-style-type: none"> • ANSI Z359.16-2016* • OSHA 1910.29 & 1926.502* 	<ul style="list-style-type: none"> • ANSI Z359.16-2016 • OSHA 1910.29 & 1926.502 • CSA Z259.2.5-17 	X

*Samo za kablove i komponente od nerđajućeg čelika od 10 mm (3/8 inča).

Svi zaštitnici od pada Söll VC500 serije mogu se koristiti sa vertikalnim sistemima za zaštitu od pada sa automatskim ili manuelnim prolaznim nosačima, sa užadima od 8 mm (5/16") ili 10 mm (3/8"). Za više informacija pogledajte uputstvo za instalaciju sistema Söll Vi-Go.

3 MERE BEZBEDNOSTI

Svako ko radi sa ili na sistemu za zaštitu od pada mora biti upoznat sa ovim uputstvima pre upotrebe sistema. Oprema za zaštitu od pada ne bi trebalo da se koristi van njenih ograničenja, ili u bilo koju drugu svrhu osim one za koju je namenjena. Upotreba koja nije u skladu sa ovim uputstvima predstavlja opasnost po ljudski život. Korisnici moraju proći obuku koja pokriva ova uputstva i informacije o upotrebi pre početka rada, a najmanje jednom godišnje. Uverite se da na sigurnosnu funkciju bilo koje komponente ne utiče sigurnosna funkcija druge i da one ne ometaju jedna drugu. Ako se proizvod prodaje izvan prve zemlje odredišta, prodavac mora osigurati da je proizvod u skladu sa zakonima koji se primenjuju u toj zemlji i mora pružiti uputstva za proizvod na odgovarajućem jeziku.

Korisnik sistema za zaštitu od pada, kao i korisnik uređaja za zaštitu od pada, moraju osigurati da je ovo uputstvo za upotrebu uvek pravilno čuvano i da je dostupno za konsultacije u svakom trenutku.

Moraju se poštovati nacionalni propisi o sprečavanju nezgoda i upotrebi zaštitne opreme prilikom izvođenja građevinskih radova.

Navodeni zaštitnik od pada je sastavni deo sistema za zaštitu od pada koji je u skladu sa standardima EN 353-1:2014+A1:2017, CSA Z259.2.5-17, ANSI A14.3-2008, i ANSI Z359.16-2016 i projektovan je za upotrebu kao lična zaštitna oprema. Da bi se obezbedila pravilna upotreba sistema za zaštitu od pada, korisnik mora da obezbedi da se pojas za celo telo i zaštitnik od pada koriste u skladu sa ovim uputstvima. Nakon upotrebe, zaštitnik od pada ne sme ostati povezan sa sistemom za bezbedno penjanje. Zaštitnik od pada mora se koristiti samo u originalnom sistemu za zaštitu od pada. Pojas za celo telo je jedini prihvatljiv uređaj za držanje tela koji se može koristiti u sistemu za zaštitu od pada. Sistem za bezbedno penjanja se mora koristiti samo u kombinaciji sa pojasevima za celo telo koji su provereni i odobreni u skladu sa standardima EN 361:2002-05, NBR 15836, CSA Z259.2.5-17 ili ANSI Z359.16-2016 i koji su opremljeni sa tačkom za pričvršćivanje sa prednje strane.

Da bi se ostvarila veza između zaštitnika od pada i pojasa za celo telo, povežite kuku karabinjera zaštitnika od pada sa sertifikovanim prstenom za ankerisanje označenim sa „A“ (primenjivo samo kada je u skladu sa standardom EN 361:2002-05) na grudni deo pojasa za celo telo. Razmak između zaštitnika od pada i pojasa za celo telo ne sme da se smanji ili poveća (npr. dodavanjem ili uklanjanjem konektora).

Dužina karabinjera se ne sme produžavati niti skraćivati.

Maksimalno 4 korisnika mogu biti priključena na sistem u isto vreme (uključujući korisnike priključene na tačku ankerisanja, kada se koristi proširenje platforme). Osim u slučaju spasilackih operacija, samo jedna osoba treba da koristi isti segment vertikalnog užeta između međudržača za vodice užadi. Svaki korisnik mora biti pričvršćen za poseban zaštitnik od pada. Navodeni zaštitnik od pada predviđen je za upotrebu za **samo 1 osobu**. Udaljenost između korisnika **ne sme biti manja od 3 m / 10 ft** (Sl. 1). Stvarni broj korisnika zavisi od nosivosti osnovne konstrukcije.

Minimalno opterećenje korisnika bez odevce i opreme je **50 kg / 110 lb**. Maksimalno opterećenje korisnika uključujući odevcu i opremu je **140 kg / 310 lb** i ne sme biti prekoračeno.

Navodeni zaštitnik od pada se ne sme koristiti za radno pozicioniranje. Ako je potrebno radno pozicioniranje, mora se koristiti oprema za radno pozicioniranje.

Zaštitnik od pada se ne sme dodirivati tokom podizanja/spuštanja da bi se osigurala bezbednost.

Tačke za pričvršćivanje užeta sistema za zaštitu od pada ne smeju se koristiti za osiguranje tereta.

Pre i tokom upotrebe instaliranog sistema za zaštitu od pada, sistem mora biti vizuelno pregledan kako bi se osiguralo da ispravno radi.

Radna temperatura je od **-40 °C do +70 °C / -40 °F do 158 °F**; uverite se da u sistemu ne postoje masnoće, ulje i led. Korisnik mora da se konsultuje sa svojim lekarom po pitanju zdravlja i ne sme da bude pod uticajem alkohola, droga ili lekova koji mogu uticati na bezbednu upotrebu proizvoda.



Važno!

Korisnik možda neće biti dovoljno zaštićen od udara o tlo ili prepreke ako je na visini manjoj od 3 m / 10 ft. Pre upotrebe sistema za bezbedno penjanje, uverite se da postoji potreban slobodan prostor ispod nogu korisnika.



Upozorenje

Pre upotrebe ovog zaštitnika od pada, korisnik mora da pročita i razume ovo uputstvo za upotrebu i sva dodatna uputstva koja su pružena tokom obuke ili su pružena sa zaštitnikom od pada ili sistemom za zaštitu od pada.



Upozorenje

Bilo kakve izmene ili dodaci zaštitniku od pada Söll VC500 serije bez pismenog odobrenja proizvođača mogu onemogućiti pravilno funkcionisanje zaštitnika od pada i stoga su zabranjeni.

ČUVAJTE OVO UPUTSTVO ZA UPOTREBU ZA BUDUĆU UPOTREBU – NEMOJTE GA BACITI!

4 UREĐAJ ZA ANKERISANJE PRODUŽETKA PLATFORME

Honeywell Söll Vi-Go produžetak platforme je sertifikovana tačka ankerisanja za zaštitu od pada za:

- **2 osobe** u skladu sa standardima EN 795:2012 i CEN/TS 16415:2013
- **1 osobu** u skladu sa standardom ANSI Z359.18.

Ušica čelične ploče za ankerisanje (Sl. 2, poz. 1) služi kao tačka za ankerisanje.

U skladu sa tim, korisnik može biti zaštićen od pada tokom prelaska sa vertikalnog na horizontalni kretanje. Na ulazu, kao i u radnom prostoru, moraju se izbegavati tačke u kojima može doći do saplitanja.



Upozorenje!

Uređaj za ankerisanje se ne sme koristiti ako je ušica za ankerisanje bila oštećena padom. U tom slučaju, uređaj za ankerisanje mora da proveri ovlašćeno lice i po potrebi da ga zameni.

Uređaj za ankerisanje produžetka platforme može se koristiti samo u kombinaciji sa sledećom bezbednosnom opremom:

- sistemi lične zaštite od pada u skladu sa standardima EN 363 ili ANSI/ASSP Z359.1:2020-00;
- apsorberi energije u skladu sa standardima EN 355 ili ANSI/ASSP Z359.13:2013-00;
- sistemi za spasavanje u skladu sa standardima EN 1496 ili ANSI/ASSP Z359.4:2013-00, EN 1479, EN 1498 i ANSI/ASSP Z359.4:2013-00.

Sistem lične opreme za zaštitu od pada (samo sa apsorberom energije) ili sistem za spasavanje mora biti izabran tako da se može izbeći sudar korisnika sa tлом ili sudar sa drugim preprekama. Sledite uputstva proizvođača.

Da bi se obezbedilo osiguranje od pada, kuka karabinjera (Sl. 3, poz. 2) uređaja za povezivanje mora biti postavljena na ušicu čelične ploče za ankerisanje (Sl. 3, poz. 1) i zaključana kako bi se izbeglo nenamerno otkaćinjanje.



Opasnost!

Kuka karabinjera uređaja za povezivanje ne sme da se odvoji od uređaja za ankerisanje pre nego što korisnik bude zaštićen drugim rešenjem za zaštitu od pada.

5 UPOTREBA



Važno!

5.1 PROVERA PRE PENJANJA:

- Pre svake upotrebe proverite uže, zategnutost užeta, zaštitnik od pada i karabinjere.
- Sistem za zaštitu od pada ne sme se koristiti ako su uočeni nedostaci ili u slučaju sumnje u njegovo ispravno funkcionisanje. Pre buduće upotrebe potrebna je provera od strane ovlašćenog lica i zamena neispravnih delova.
- Plan spasavanja mora biti sačinjen pre upotrebe sistema za zaštitu od pada.



Upozorenje

Ako se pojas olabavi tokom penjanja ili spuštanja, dosegnete bezbednu poziciju i pravilno ga podesite.

Prilikom rada na trasi uspona ili pored nje, kao i tokom obavljanja poslova i radnji koje nisu deo uobičajenih pokreta penjanja i spuštanja, osoba koja se penje mora se dodatno obezbediti užetom u skladu sa standardom EN 354, ili užetom za radno pozicioniranje u skladu sa standardima EN 358. :2018-11 ili ANSI/ASSP Z 359.4:2013-00. Ovo je takođe primenjivo za položaje mirovanja prilikom odmara na merdevinama za sprečavanje pada. Moraju se koristiti samo odgovarajući uređaji za ankerisanje. U svim ovim situacijama užad se mora čvrsto držati kako bi se sprečio pad.



Važno!

Zaštitnici od pada Söll VC500 serije moraju se koristiti samo sa sistemima sa nagibom od maks. 15° od vertikalne ose u svim pravcima.



Važno!

U skladu sa standardima EN 353-1+A1:2017-12, CSA Z259.25-17, ANSI A14.3-2008, ANSI Z359.16-2016 i NBR 14627 zaštitnike od pada mogu koristiti samo osobe koje:

- su prošle obuku ili su na drugi način ovlašćene;
- direktno nadgleda obučeno ili ovlašćeno lice.

5.2 POVEZIVANJE NA SISTEM:

- Dizajn omogućava fiksiranje na užad od pocinkovanog ili nerđajućeg čelika od **8 mm (5/16 in)** ili **10 mm (3/8 in)** koja su deo Söll Vi-Go sistema.
- Zaštitnik od pada ima mehanizam koji sprečava da se zaštitnik od pada nepravilno pričvrsti na uže.

5.3 POVEZIVANJE ZAŠTITNIKA OD PADA NA POJAS ZA CELO TELO:

- Povucite na dole nazubljenu čauru karabinjera.
- Zatim okrenite nazubljenu čauru i pritisnite je ka unutra.
- Pričvrstite ga direktno na grudni deo pojasa za celo telo.
- Otpustite nazubljenu čauru, ona se automatski zaključava.



Opasnost!

Neobezbeđen karabinjer (otvorena nazubljena čaura) je opasan po ljudski život. Trbušni ili grudni remen pojasa za celo telo moraju čvrsto da prijanjaju uz telo (Sl. 4).



Opasnost!

Karabinjer za zaštitnika od pada mora biti direktno umetnut u grudni deo pojasa za celo telo (Sl. 5, 6, 7).

5. 4 UMETANJE U UŽE ZA NAVOĐENJE

VC510

- Držite štitnik od pada tako da strelica na kucištu pokazuje prema gore.
- Podignite karabinjer sa ručicom kočnice na gore (Sl. 8a).
- Povucite dugme za zaključavanje od zaštitnika od pada, a zatim ga povucite podalje od užeta (Sl. 8b).
- Kroz nastali otvor u kucištu štitnika od pada, postavite štitnik od pada na uže tako da strelica na kucištu pokazuje prema gore (Sl. 8c).
- Otpustite ručicu kočnice i dugme za zaključavanje.
- Söll VC510 je sada spojen na uže za navođenje.
- Proverite da li zaštitnik od pada može slobodno da klizi vertikalno po užetu za navođenje.
- Proverite funkcionisanje mehanizma za zaključavanje i hvatanje pomeranjem ručice kočnice.

VC570

- Držite štitnik od pada tako da strelica na kucištu pokazuje prema gore.
- Podignite karabinjer sa ručicom kočnice na gore (Sl. 9a).
- Pritisnite gornje dugme nadole, unutar tela zaštitnika od pada (Sl. 9b, poz. 1).
- Pritisnite okidač unutar tela zaštitnika od pada (Sl. 9b, poz. 2).
- Kroz nastali otvor u kucištu zaštitnika od pada postavite zaštitnik od pada na uže tako da strelica na kucištu pokazuje na gore (Sl. 9c).
- Otpustite ručicu kočnice, dugme i okidač.
- Söll VC570 je sada spojen na uže za navođenje.
- Proverite da li zaštitnik od pada može slobodno da klizi vertikalno po užetu za navođenje.
- Proverite funkcionisanje mehanizma za zaključavanje i hvatanje pomeranjem ručice kočnice.

5. 5 UKLANJANJE ZAŠTITNIKA OD PADA SA UŽETA



Upozorenje!

Pre uklanjanja zaštitnika od pada sa vertikalnog užeta ili odvajanja od pojasa, korisnici moraju biti obezbeđeni i zaštićeni od pada sa visine na neki drugi način!

VC510

- Podignite karabinjer sa ručicom kočnice na gore.
- Povucite dugme za zaključavanje od zaštitnika od pada, a zatim je povucite podalje od užeta.
- Uklonite zaštitnik od pada kroz nastali otvor u kucištu zaštitnika od pada.
- Otpustite ručicu kočnice i dugme za zaključavanje.

VC570

- Podignite karabinjer sa ručicom kočnice na gore.
- Pritisnite gornje dugme nadole, u telo zaštitnika od pada.
- Pritisnite okidač u telo zaštitnika od pada.
- Uklonite zaštitnik od pada kroz nastali otvor u kucištu zaštitnika od pada.
- Otpustite ručicu kočnice, dugme i okidač.

6 PROVERA

Bezbednost korisnika zavisi od kontinuirane efikasnosti i trajnosti opreme. U zavisnosti od lokalnog zakonodavstva, učestalosti upotrebe i uslova okoline, kompetentne osobe moraju redovno da proveravaju zaštitnike od pada, a najmanje svakih 12 meseci prema standardu ANSI Z359 / EN 365. Periodične provjere treba da sprovedi samo kompetentna osoba i strogo u skladu sa procedurama proizvođača koje se tiču periodičnih provjera.

Pre svake upotrebe i tokom periodične provjere, zaštitnik od pada mora biti vizuelno pregledan kako bi se osiguralo da:

- razmak između mehanizma za zaključavanje i kućišta zaštitnika od pada ne bude veći od 5 mm / 0,118 in (Sl. 10);
- razmak između petlji apsorbera mora da bude manji od 2 mm / 0,08 in (Sl. 11);
- nema znakova habanja, oštećenja ili drugih oblika propadanja;
- etikete/oznake na proizvodu su čitljive.

Ako gore navedeni zahtevi nisu ispunjeni, zaštitnik od pada mora biti uklonjen iz upotrebe i zamenjen ili popravljen. Popravke može izvršiti samo proizvođač.



Upozorenje!

Zaštitnik od pada koji je zaustavio pad korisnika sa visine mora biti uklonjen iz upotrebe.

7 ODRŽAVANJE

ČIŠĆENJE

Očistite vodom. Ni u kom slučaju ne koristite rastvarače ili sredstva za čišćenje koja sadrže kiseline/koja su alkalna. Osušiti prirodnim putem u dobro provetrenom prostoru daleko od otvorene vatre ili drugih izvora toplote.

RADNI VEK

Pravilna briga o vašoj LZO će vam pomoći da obezbedite bolji radni vek proizvoda i vašu bezbednost.

Radni vek zaštitnika od pada zavisi od učestalosti upotrebe i uslova rada. Tokom godišnjih pregleda koje obavlja ovlašćeno lice ili organ, zaštitnik od pada će biti odobren za dalju upotrebu samo ako su proizvod i njegove komponente u dobrom stanju.

TRANSPORT I SKLADIŠTENJE

Tokom transporta i skladištenja, uverite se da je vaša LZO udaljena od izvora toplote, vlage, korozivne atmosfere, ultraljubičastog zračenja, itd. i izbegavajte bilo kakve udarce ili prekomerne vibracije.

8 UPRAVLJANJE PREDMETOM

VC510 i VC570 poseduju jedinstvene serijske brojeve na spoljašnjoj strani tela (pogledajte Oznaku proizvoda, tačka „N“).

RFID

VC570 poseduje RFID (Radio Frequency Identification) oznaku koja sadrži jedinstveni identifikacioni broj koji se može koristiti za praćenje imovine u skladu sa standardom ISO 18000-63. RFID omogućava brze terenske provjere i navodi informacije koje uključuju broj modela, datum proizvodnje, proveru/broj serije i ispunjene standarde. Pored tipa čitača i RFID oznake, optimalna udaljenost čitanja RFID oznake varira u zavisnosti od čitača, orijentacije oznake i materijala.

RFID oznaka je postavljena ispod plastičnog poklopca zaštitnika od pada - pogledajte oznaku proizvoda.



SPECIFIKACIJA

- Globalna frekvencija: 840 ~ 940 MHz
- Memorija EPC 128bit, TID: 96bit
- Zadržavanje podataka: 20 godina

PREPORUKE

Nakon čišćenja vaše LZO, skenirajte svoju RFID oznaku da biste potvrdili da nije oštećena.

9 ZAŠTITA ŽIVOTNE SREDINE



Simbol WEEE označava da se ovaj proizvod ne sme tretirati kao otpad iz domaćinstva.

Da biste zaštitili životnu sredinu, uverite se da je proizvod pravilno odložen. Za detaljnije informacije o recikliranju ovog proizvoda obratite se lokalnim vlastima, pružaocu usluga odlaganja otpada ili domaćinstva/industrijskog otpada ili prodavcu.

Söll VC500 – Glidlås för Söll Vi-Go/Antec CABMAX Lodrätt fallskyddssystem

1 ALLMÄN INFORMATION

NORMATIVA REFERENSER

Den här produkten omfattas av nedanstående lista över standarder och direktiv. Användaren ansvarar själv för överensstämmelsen med de relevanta standarder som beskrivs i den här bruksanvisningen.

Referensgrupperna med standarder/direktiv nedan gäller beroende på marknad. Om produkten exempelvis används inom Europeiska Unionen (EU) måste användaren uppfylla alla EU-standarder/direktiv. Övriga standarder som nämns i bruksanvisningen är inte relevanta.

I det här dokumentet används termen "lina" eller "styrlina" som beskrivning av en styv förankringslina.

EUROPASTANDARDER

SS-EN 353-1+A1:2017-12 – Personlig fallskyddsutrustning – Styrt glidlås på förankringslina eller skena – Del 1: Styrt glidlås på flexibel förankringslina

CNB/P/11.119 – Förordning om personlig skyddsutrustning (EU) 2016/425

AMERIKANSKA STANDARDER OCH FÖRESKRIFTER

ANSI-ASC A14.3-2008 – Stegar-Fasta-Säkerhetskrav

ANSI/ASSE Z359.16-2016 – Säkerhetskrav för fallskyddssystem med klätterstegar OSHA 1910.29 & 1926.502

KANADENSISKA STANDARDER

CSA Z259.2.5-17 – Fallskydd och lodräta livlinor

BRAZILIAN STANDARDS

NBR 14627 - Equipamento de proteção individual contra queda de altura - Travaquada guiado em linha rígida

2 SYSTEM

Glidlåsen i Söll VC500-serien kan användas tillsammans med Söll Vi-Go/Antec CABMAX lodräta fallskyddssystem (i det följande benämnt "fallskyddssystem") och uppfyller standarden som anges i följande tabell:

		Söll Vi-Go system			ANTEC Cabmax
		utan övre stötdämpare	med övre stötdämpare FPH_30176	med övre stötdämpare FPH_30176 typ TRTB/	
Glidlås	Söll VC510	<ul style="list-style-type: none"> • ANSI A14.3-2018 • OSHA 1910.29 & 1926.502 • EN 353-1+A1:2017-12 • UKCA 	<ul style="list-style-type: none"> • ANSI A14.3-2018* • OSHA 1910.29 & 1926.502* 	<ul style="list-style-type: none"> • ANSI A14.3-2018 • OSHA 1910.29 & 1926.502 	<ul style="list-style-type: none"> • EN 353-1+A1:2017-12
	Söll VC570	<ul style="list-style-type: none"> • ANSI Z359.16-2016 • OSHA 1910.29 & 1926.502 • CSA Z259.2.5-17 • EN 353-1+A1:2017-12 • UKCA 	<ul style="list-style-type: none"> • ANSI Z359.16-2016* • OSHA 1910.29 & 1926.502* 	<ul style="list-style-type: none"> • ANSI Z359.16-2016 • OSHA 1910.29 & 1926.502 • CSA Z259.2.5-17 	X

*Endast för 10 mm (3/8 tum) kablar och komponenter i rostfritt stål.

Alla fallskydd i Söll VC500-serien kan användas tillsammans med lodräta fallskyddssystem med automatiska eller manuella instyrningsfästen, med 8 mm (5/16") eller 10 mm (3/8") linor. Ytterligare information hittar du i installationsanvisningarna för Söll Vi-Go-systemet.

3 SÄKERHETS FÖRESKRIFTER

Alla som arbetar med eller på fallskyddssystemet måste ha läst och förstått dessa anvisningar innan systemet används. Fallskyddsutrustningen får inte användas utanför sina begränsningar, eller i något annat syfte än det avsedda. Användning som inte överensstämmer med dessa anvisningar innebär livsfara. Operatörer måste ges utbildning som omfattar dessa anvisningar samt användarinformationen innan något arbete påbörjas och därefter minst en gång om året. Se till att säkerhetsfunktionen hos någon av komponenterna inte påverkas av någon annans säkerhetsfunktion och att de inte står varandra. Om produkten säljs utanför det första destinationslandet måste återförsäljaren kontrollera att produkten uppfyller de lagar som gäller i landet, samt tillhandahålla anvisningar för produkten på rätt språk.

Både operatören och användaren av fallskyddssystemet ansvarar för att den här bruksanvisningen förvaras på lämpligt sätt och alltid finns tillgänglig och kan läsas.

Nationella föreskrifter om förebyggande av olyckor samt användning av säkerhetsutrustning för bygg- och anläggningsarbete måste efterföljas.

Styrda glidlås är integrerade delar av ett fallskyddssystem som uppfyller SS-EN 353-1:2014+A1:2017, CSA Z259.2.5-17, ANSI A14.3-2008 och ANSI Z359.16-2016, och de är konstruerade för användning som personlig skyddsutrustning. För att underlätta rätt användning av fallskyddssystemet måste operatören kontrollera att halselen och glidlåset används i enlighet med anvisningarna. Efter användning får glidlåset inte lämnas kopplat till säkerhetsklättersystemet. Glidlåset får endast användas som en del i det ursprungliga fallskyddssystemet. Helsele är den enda godkända kroppsuppehållande utrustning som får användas i ett fallskyddssystem. Säkerhetsklättersystemet får bara användas tillsammans med halselar som har kontrollerats och godkänts enligt SS EN 361:2002-05, NBR 15836, CSA Z259.2.5-17 eller ANSI Z359.16-2016 och som har fästpunkt framtill.

För att glidlåset och halselen ska fungera tillsammans ska du koppla karbinhake på glidlåset till den certifierade förankringsringen märkt "A" (gäller endast vid överensstämmelse med SS-EN 361:2002-05) vid den bakre delen av halselen. Avståndet mellan glidlåset och halselen får inte förkortas eller förlängas (t.ex. genom extra kopplingsdon).

Längden på karbinhaken får inte förlängas eller förkortas.

Maximalt 4 användare får vara kopplade till systemet samtidigt (inklusive användare som är kopplade till förankringspunkten när plattformsförlängningen används). Med undantag för räddningsaktioner får bara en person åt gången person använda samma segment av lodrät lina mellan intilliggande fästen för linstyrning. Varje användare måste vara säkert förankrad till ett separat glidlås. Glidlåset med uppstyrring är endast avsett för **1 person**. Avståndet mellan användarna **får inte understiga 3 m/10 ft** (Fig. 1). Det verkliga antalet användare beror på byggnationens lastbärande kapacitet.

Minsta last för användaren, exklusive kläder och utrustning är **50 kg/110 lb**. Maximal last för användaren inklusive kläder och utrustning är **140 kg/310 lb** och detta får inte överskridas.

Styrda glidlås får inte användas för arbetspositionering. Om arbetspositionering krävs ska särskild utrustning för arbetspositionering användas.

Glidlåset får inte vidröras under upphissning/nedhissning av säkerhetsskäl.

Fixeringspunkterna för linan i fallskyddssystemet får inte användas för att förankra laster.

Innan det installerade fallskyddssystemet används måste systemet ha genomgått en visuell besiktning för att säkerställa att det fungerar korrekt.

Arbetstemperaturen är **-40 °C till +70 °C / -40 °F till 158 °F**. Kontrollera att systemet är fritt från smörjett, olja och is. Operatören måste göra en hälsoundersökning hos läkare och får inte vara påverkad av alkohol, droger eller mediciner som kan påverka den säkra användningen av produkten.



Viktigt!

Användaren kanske inte skyddas tillräckligt mot att slå i marken eller mot något hinder om höjden understiger 3 m/10 ft. Innan du använder säkerhetsklättersystemet måste du kontrollera att det finns nödvändigt fritt utrymme under användarens fötter.



Varning

Innan fallskyddet används måste användaren ha läst och förstått den här bruksanvisningen och alla tilläggsanvisningar som har tillhandahållits under utbildningen, eller som medföljer glidlåset eller fallskyddssystemet.



Varning

Alla ändringar eller tillägg till glidlåsen i serien Söll VC500 utan tillverkarens skriftliga godkännande kan hindra glidlåset från att fungera korrekt och sådana ändringar är därför förbjudna.

BEHÅLL HANDBOKEN SOM REFERENS – KASTA INTE BORT DEN!

4 PLATTFORMSFÖRLÄNGNING FÖR FÖRANKRING

Plattformsförlängningen för Honeywell Söll Vi-Go är en certifierad förankringspunkt för fallskydd för:

- **2 personer** i enlighet med SS-EN 795:2012 och CEN/TS 16415:2013
- **1 person** i enlighet med ANSI Z359.18.

Ögлан i förankringsstälplåten (Fig. 2, Pos. 1) fungerar som förankringspunkt.

Användaren kan då skyddas mot fall vid övergången från lodrät till vågrät förflyttning. Punkter där det kan finnas snubbelrisk vid ingången och arbetsytan måste undvikas.



Varning!

Förankringssystemet får inte användas om förankringsöglan har belastats vid ett fall. Förankringen måste då kontrolleras av en behörig person och bytas ut vid behov.

Förankringsanordningens plattformsförlängning får bara användas i kombination med följande säkerhetsutrustning:

- personliga fallskyddssystem i enlighet med SS-EN 363 eller ANSI/ASSP Z359.1:2020-00
- falldämpare i enlighet med SS-EN 355 eller ANSI/ASSP Z359.13:2013-00
- räddningssystem i enlighet med SS-EN 1496 eller ANSI/ASSP Z359.4:2013-00, SS-EN 1479, SS-EN 1498 och ANSI/ASSP Z359.4:2013-00

Personliga fallskyddssystem (med falldämpare) eller räddningssystem måste väljas så att kollisioner undviks mellan användaren och marken eller mellan användaren och andra hinder. Följ tillverkarens bruksanvisning.

För att skydda mot fall måste karbinhaken (Fig. 3, Pos. 2) för en kopplad enhet installeras i ögлан på förankringsstälplåten (Fig. 3, Pos. 1) och låsas för att undvika oavsiktlig urkoppling.



Fara!

Karbinhaken hos den tillkopplade enheten får inte urkopplas från förankringsenheten innan användaren är helt skyddad mot fall genom en annan lösning.

5 ANVÄNDNING



Viktigt!

5.1 BESIKTNING FÖRE KLÄTTRING:

- Innan varje användningstillfälle måste besiktning utföras av linan, linspännaren, falldämparen och alla karbinhakar.
- Fallskyddssystemet får inte användas om defekter har upptäckts eller om det finns tveksamheter som rör dess funktion. Innan fortsatt användning måste en besiktning utföras av en behörig person och alla defekta delar måste bytas ut.
- En räddningsplan måste finnas innan fallskyddssystemet används.



Varning

Om selen blir lös under uppstigning eller nedstigning ska du ta dig till en säker position och göra justeringen där. Vid arbete i eller nära uppstigningsvägen och under arbeten och åtgärder som inte är en del av de vanliga uppstignings- och nedstigningsrörelserna, måste klättraren dessutom använda en extra kopplingslina i enlighet med SS-EN 354 eller en kopplingslina för arbetspositionering i enlighet med SS-EN 358:2018-11 eller ANSI/ASSP Z 359.4:2013-00. Detta gäller även för obelastade vilolågen under vila längs fallskyddsstegen. Du får bara använda särskilt avsedda och lämpliga förankringar. I alla dessa situationer måste kopplingslinan hållas spänd för att förhindra fall.



Viktigt!

Glidlåsen i Söll VC500-serien får bara användas i system med en lutning på maximalt 15° från vertikalen i alla riktningar.



Viktigt!

Glidlåset enligt SS-EN 353-1+A1:2017-12, CSA Z259.2.5-17, ANSI A14.3-2008, ANSI Z359.16-2016, och NBR 14627 får bara användas av personer som:

- har genomgått utbildning eller har annan behörighet
- har handledning direkt från en utbildad eller behörig person.

5.2 ANSLUTNING TILL SYSTEMET:

- Konstruktionen möjliggör fixering på **8 mm (5/16 tum)** eller **10 mm (3/8 tum)** galvaniserade eller rostfria ställinor som ingår i Söll Vi-Go-systemet.
- Glidlåset har en mekanism som hindrar glidlåset från att monteras felaktigt på linan.

5.3 KOPPLA GLIDLÅSET TILL HELSELEN:

- Dra ned den räfflade bussningen från karbinhaken.
- Vrid sedan den räfflade bussningen och tryck den inåt.
- Fäst den direkt vid den bakre kopplingen på helsen.
- Släpp den räfflade bussningen – den låser automatiskt.



Fara!

En osäkrad karbinhake (öppen räfflad bussning) innebär livsfara. Helselels höft- eller bälrem måste passa tätt mot kroppen (Fig. 4).



Fara!

Glidlåsets karbinhake måste sättas in direkt i den bakre fästpunkten på helsen (Fig. 5, 6, 7).

5.4 INSÄTTNING I UPPSTYRNINGSLINAN

VC510

- Håll fallskyddet så att pilen på höljet pekar uppåt.
- Lyft karbinhaken med bromsspaken uppåt (Fig. 8a).
- Dra låsreglaget bort från glidlåset och skjut det sedan bort från linan (Fig. 8b).
- Gå igenom det nu öppna utrymmet i glidlåsets hölje och placera glidlåset på linan så att pilen på höljet pekar uppåt (Fig. 8c).
- Lossa bromsspaken och låsreglaget.
- Söll VC510 är nu kopplat till uppstyrningslinan.
- Kontrollera om glidlåset kan glida obehindrat lodrätt på uppstyrningslinan.
- Kontrollera funktionen hos lås- och uppfångningsmekanismen genom att flytta bromsspaken.

VC570

- Håll fallskyddet så att pilen på höljet pekar uppåt.
- Lyft karbinhaken med bromsspaken uppåt (Fig. 9a).
- Tryck den övre knappen nedåt in i höljet på glidlåset (Fig. 9b, Pos. 1).
- Tryck utlösaren in i höljet på glidlåset (Fig. 9b, Pos. 2).
- Gå igenom det nu öppna utrymmet i glidlåsets hölje och placera glidlåset på linan så att pilen på höljet pekar uppåt (Fig. 9c).
- Lossa bromsspaken, knappen och låsreglaget.
- Söll VC570 är nu kopplat till uppstyrningslinan.
- Kontrollera om glidlåset kan glida obehindrat lodrätt på uppstyrningslinan.
- Kontrollera funktionen hos lås- och uppfångningsmekanismen genom att flytta bromsspaken.

5.5 BORTTAGNING AV GLIDLÅSET FRÅN UPPSTYRNINGSLINAN



Varning!

Innan du demonterar glidlåset från den lodräta linan eller lossar den från selen måste alla användare vara säkert förankrade och skyddade på annat sätt mot fall från höjd!

VC510

- Lyft karbinhaken med bromsspaken uppåt.
- Dra låsreglaget bort från glidlåset och skjut det sedan bort från linan.
- Ta bort glidlåset genom det nu öppna utrymmet i glidlåsets hölje.
- Lossa bromsspaken och låsreglaget.

VC570

- Lyft karbinhaken med bromsspaken uppåt.
- Tryck den övre knappen nedåt in i höljet på glidlåset.
- Tryck utlösaren in i höljet på glidlåset.
- Ta bort glidlåset genom det nu öppna utrymmet i glidlåsets hölje.
- Lossa bromsspaken, knappen och låsreglaget.

6 BESIKTNING

Användarnas säkerhet är beroende av att utrustningen fungerar och hanteras på ett hållbart sätt. Beroende på lokala lagar, användningsfrekvens och miljöförhållanden måste glidlåsen besiktigas regelbundet av en behörig person och minst en gång om året enligt ANSI Z359/SS-EN 365. De regelbundna kontrollerna får endast utföras av en behörig person, och kontrollerna ska utföras helt enligt tillverkarens besiktningrutiner.

Innan varje användningstillfälle och under besiktningen måste hela systemet också genomgå en visuell besiktning för att säkerställa att:

- Gapet mellan låsmekanismen och glidlåsets hölje inte är mer än 5 mm/0,118 tum (Fig. 10).
- Gapet mellan dämparöglorna är mindre än 2 mm/0,08 tum (Fig. 11).
- Inga tecken finns på slitage, skada eller andra försämringar.
- Produktens dekaler/märkskyttar är läsbara.

Om ovanstående krav inte uppfylls måste glidlåset tas ur drift och bytas ut eller repareras. Reparationer får endast utföras av tillverkaren.



Varning!

Ett glidlås som har stoppat en användares fall från höjd måste omedelbart tas ur drift och får inte användas igen.

7 UNDERHÅLL

RENGÖRING

Rengör med vatten. Använd inga lösningsmedel och inga syrehaltiga/alkaliska rengöringsmedel under några omständigheter. Låt torka naturligt i ett välventilerat område på behörigt avstånd från öppna flammor eller andra värmekällor.

LIVSLÄNGD

Om du sköter din personliga skyddsutrustning rätt kommer den att hålla längre och ge god säkerhet.

Glidlåsets brukningstid beror på användningsfrekvensen och driftförhållandena. Under årliga besiktningar som utförs av en behörig person eller organisation kommer glidlåset endast att godkännas för fortsatt användning om produkten och dess komponenter är i gott skick.

TRANSPORT OCH FÖRVARING

Under transport och förvaring måste du kontrollera att den personliga skyddsutrustningen placeras på avstånd från värmekällor, fukt, rostframkallande atmosfär, ultraviolett strålning osv. och att den inte utsätts för stötar eller överdriven vibration.

8 OM PRODUKTERNA

VC510 & VC570 har unika serienummer på sidan av det yttre höljet (se Produktmärkning, punkt "N").

RFID

VC570 har en RFID-tag (radiofrekvensidentifiering) med ett unikt identifieringsnummer som kan användas för spårning av tillgångar enligt ISO 18000-63. RFID möjliggör snabba inspektioner på fältet och innehåller information som modellnummer, tillverkningsdatum, inspektions-/parti nummer, och standarder som uppfylls. Förutom typ av läsare och RFID-tag kommer den optimala RFID-avläsningsträckan att variera beroende på läsare, taggorientering, och material.

RFID-taggen sitter under plasthöljet på glidlåset – se produktmärkningen.



SPECIFIKATION

- Frekvens globalt: 840 ~ 940 MHz
- Minne EPC 128 bits, TID: 96 bitar
- Datalagring: 20 år

REKOMMENDATIONER

Efter rengöring av din personliga skyddsutrustning ska du läsa av din RFID-tag för att verifiera att den inte har skadats.

9 MILJÖSKYDD

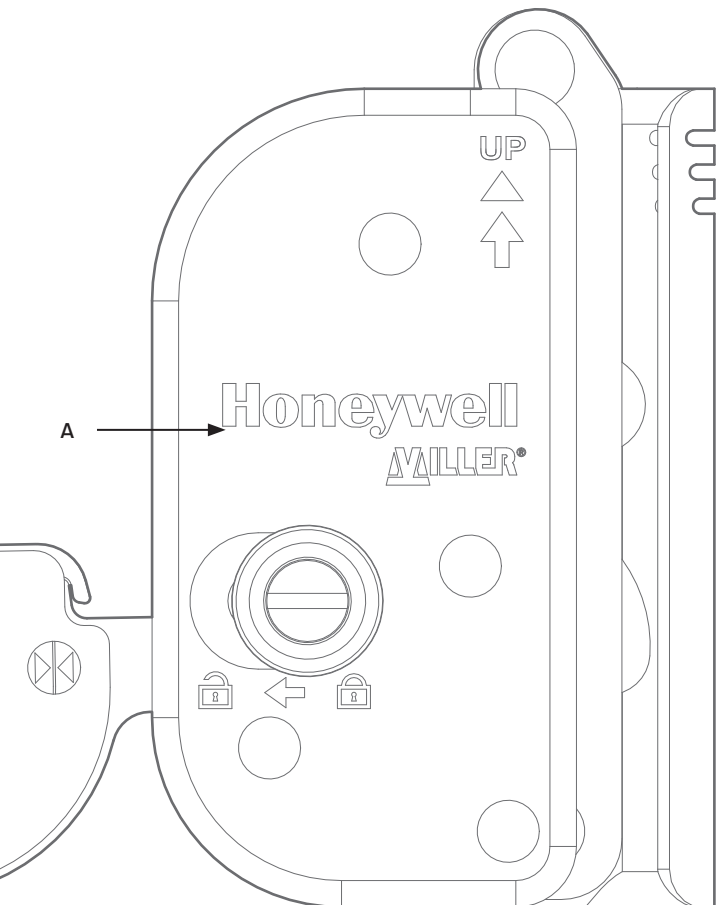


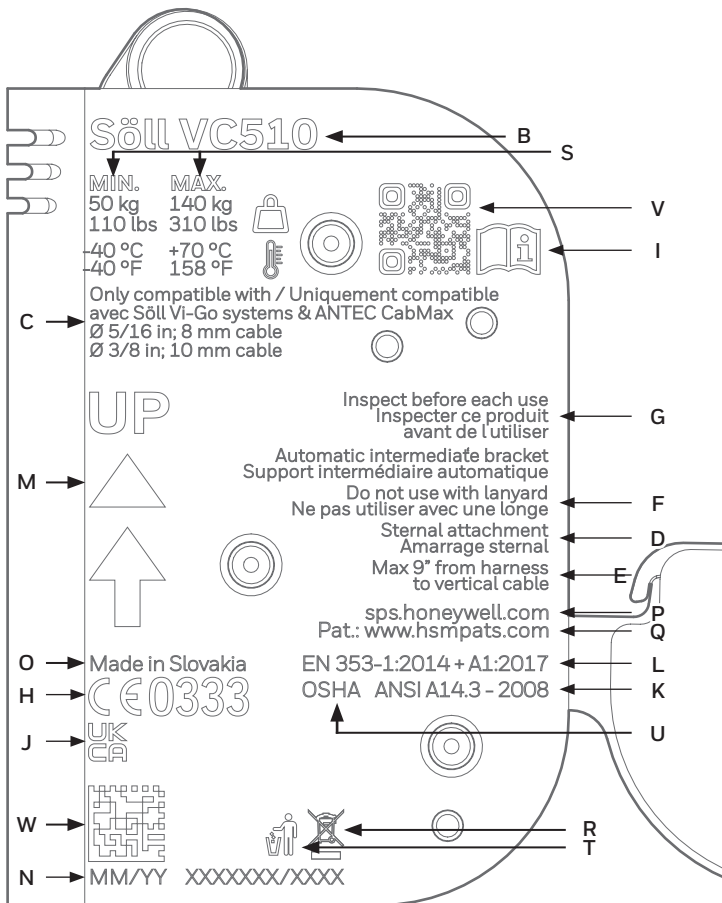
WEEE-symbolen visar att produkten inte får hanteras som hushållsavfall.

Skydda miljön genom att återvinna produkten på rätt sätt. För närmare information om återvinning av produkten kan du kontakta lokala myndigheter, den lokala operatören som sköter hanteringen av hushålls- och industriavfall eller återförsäljaren som sålde produkten.

I - PRODUCT MARKING

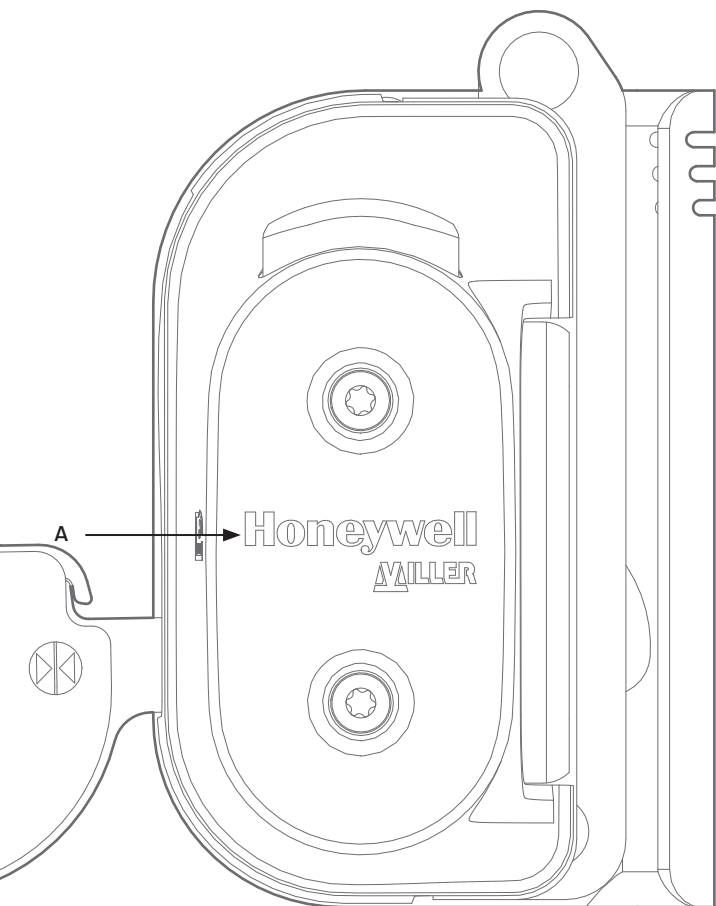
VC510

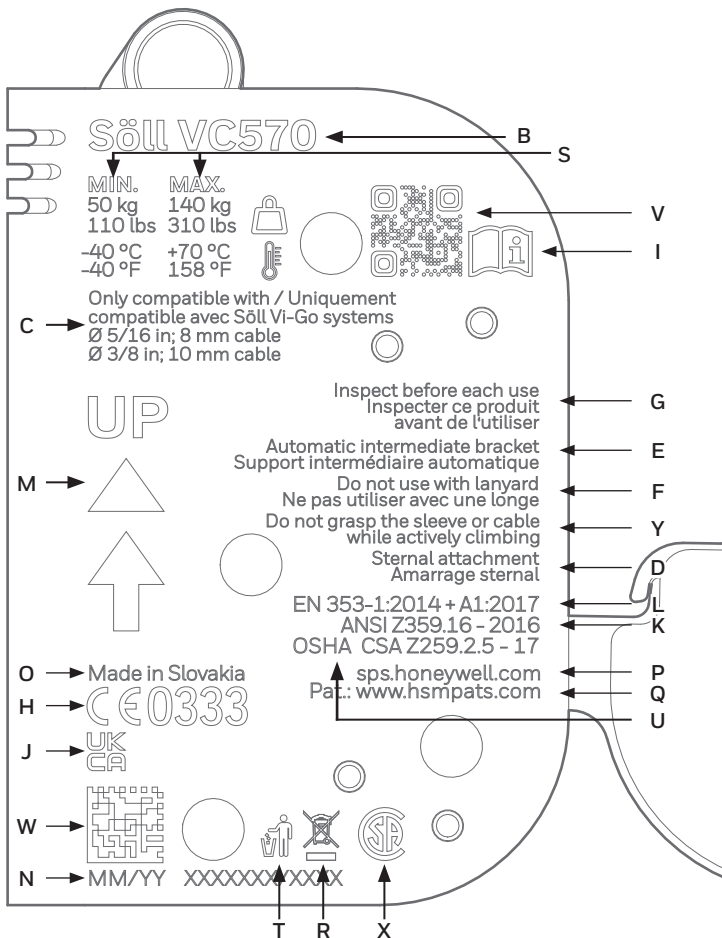




II - PRODUCT MARKING

VC570





EXPLANATION OF MARKING

EN

VC510 & VC570

- A: The name, trademark, or any other means of identifying the manufacturer or the supplier
- B: Product name
- C: Compatible fall arrest systems
- D: Sternal attachment
- E: The distance separating the harness and the vertical cable ought not to exceed 9 inches.
- F: Do not use with lanyard
- G: The product should be inspected before each use
- H: EC logo followed by the number of the organization notified to monitor the production
- I: Standardized pictogram informing the user to read the instructions
- J: UKCA logo followed by the number of the authorized body
- K: Reference to the ANSI standard compliance
- L: Number of the European conformity standards and their years
- M: Marking indicating the correct orientation of the shuttle when used
- N: Manufacturing date MM/YY; Batch or serial number
- O: Country of origin
- P: Manufacturer's website
- Q: Patent website
- R: WEEE symbol indicating separate collection for Waste of Electrical and Electronic Equipment
- S: Minimal and maximal permissible load capacity
- T: Disposal of the product
- U: Reference to the OSHA standard compliance
- V: QR code leading to product information
- W: Datamatrix code containing manufacturing data

VC570 ONLY

- X: Reference to the CSA standard compliance
- Y: Use with Honeywell rigid anchor line only

BG

VC510 И VC570

- A: Името, търговската марка или всяко друго средство за идентифициране на производителя или доставчика
- B: Име на продукта
- C: Съвместими системи за спиране на падане
- D: Стернално прикрепане
- E: Разстоянието, разделящо предпазния колан и вертикалния кабел, не трябва да надвишава 9 инча.
- F: Не използвайте с ремък
- G: Продуктът трябва да се проверява преди всяка употреба
- H: Лого на ЕК, последвано от номера на организацията, уведомена за наблюдение на производството
- I: Стандартизирана пиктограма, информираща потребителя да прочете инструкциите
- J: Логото на UKCA, последвано от номера на оторизирания орган
- K: Референция за съответствие със стандарта ANSI
- L: Брой на европейските стандарти за съответствие и техните години
- M: Маркировка, показваща правилната ориентация на шлюза, когато се използва
- N: Дата на производство MM/ГГ; Партиден или сериен номер
- O: Страна на произход
- P: Уебсайт на производителя
- Q: Уебсайт за патента
- R: Символ WEEE, указващ разделно събиране на отпадъци от електрическо и електронно оборудване
- S: Минимална и максимална допустима товароспособност
- T: Изхвърляне на продукта
- U: Референция за съответствие със стандарта OSHA
- V: QR код, водещ до информация за продукта
- W: Datamatrix код, съдържащ данни за производството

VC570 ONLY

- X: Препратка към стандартното съответствие на CSA
- Y: Използвайте само с твърда анкерна линия Honeywell

CS**VC510 & VC570**

- A: Název, ochranná známka nebo další prostředky identifikace výrobce nebo dodavatele
- B: Název produktu
- C: Kompatibilní systémy pro zachycení pádu
- D: Zádové napojení
- E: Vzdálenost mezi postrojem a vertikálním kabelem by neměla přesáhnout 22 cm
- F: Nepoužívejte s napojovacím lanem
- G: Produkt by měl před každým použitím projít inspekci
- H: Logo EC následované číslem oznámené organizace monitorující produkt
- I: Standardizovaný piktogram informující uživatele, aby si přečetl pokyny
- J: Logo UKCA následované číslem autorizovaného orgánu
- K: Odkaz na shodu s normou ANSI
- L: Číslo dodržovaných evropských norem a jejich roky
- M: Označení ukazující správnou orientaci jezdce při použití
- N: Datum výroby ve formátu MM/RR; šarže nebo sériové číslo
- O: Země původu
- P: Webové stránky výrobce
- Q: Webové stránky patentu
- R: Symbol OEEZ pro odpadní elektrická a elektronická zařízení
- S: Minimální a maximální povolená nosnost
- T: Naložení s produktem jako s odpadem
- U: Odkaz na shodu s normou OSHA
- V: QR kód odkazující na informace o produktu
- W: Kód Datamatrix obsahující výrobní údaje

POUZE VC570

- X: Odkaz na shodu s normou CSA
- Y: Použijte pouze s pevným zajišťovacím vedením Honeywell

DA**VC510 & VC570**

- A: Navnet, varemærket eller enhver anden identifikation af producenten eller leverandøren
- B: Produktets navn
- C: Kompatible faldsikringsystemer
- D: Fastgørelsespunkt på brystet:
- E: Afstanden mellem selen og det lodrette kabel bør ikke overstige 9 tommer.
- F: Må ikke anvendes med en sikkerhedsline
- G: Produktet bør inspiceres før hver anvendelse
- H: EF-logoet efterfulgt af nummeret på den organisation, der er bemyndiget til at overvåge produktionen
- I: Standardiseret piktogram, der tilskynder brugeren til at læse forskrifterne
- J: UKCA-logoet efterfulgt af nummeret på det autoriserede organ
- K: Reference til overholdelsen af ANSI-standarden
- L: Nummeret på de europæiske overensstemmelsesnormer og deres år
- M: Markering, der angiver hvilken vej kapslen skal vende, når den bruges
- N: Fremstillingsdato MM/ÅÅ; parti eller serienummer
- O: Oprindelsesland
- P: Producentens hjemmeside
- Q: Patentets hjemmeside
- R: WEEE-symbol, der angiver særskilt opsamling af affald af elektrisk og elektronisk udstyr
- S: Mindste og maksimale tilladelige løftekapacitet
- T: Bortskaffelse af produktet
- U: Reference til overholdelsen af OSHA-standarden
- V: QR-kode, der henviser til produktoplysninger
- W: Datamatrixkode med fremstillingsdata

KUN VC570

- X: Reference til overholdelsen af CSA-standarden
- Y: Anvendes kun med Honeywell uelastisk forankringsline

DE**SÖLL VC510 UND SÖLL VC570**

- A: Name, Marke oder ein anderes Mittel zur Identifizierung des Herstellers oder Lieferanten
- B: Produktname
- C: Kompatible Absturzschutzsysteme
- D: Befestigung am Brustbein
- E: Der Abstand zwischen dem Auffanggurt und dem vertikalen Seil sollte 9 Zoll nicht überschreiten.
- F: Nicht mit Verbindungsmittel verwenden
- G: Das Produkt sollte vor jedem Gebrauch überprüft werden
- H: EG-Logo, gefolgt von der Nummer der Organisation die für die Überwachung der Produktion zuständig ist
- I: Standardisiertes Piktogramm, das den Benutzer zum Lesen der Anweisungen auffordert
- J: UKCA-Logo, gefolgt von der Nummer der autorisierten Stelle
- K: Verweis auf die Einhaltung der ANSI-Norm
- L: Nummer der europäischen Konformitätsnormen und deren Jahre
- M: Markierung, die die korrekte Ausrichtung des Auffanggerätes bei der Verwendung angibt
- N: Herstellungsdatum MM/JJ; Chargen- oder Seriennummer
- O: Herkunftsland
- P: Webseite des Herstellers
- Q: Patent Webseite
- R: WEEE-Symbol für die getrennte Sammlung von Elektro- und Elektronik-Altgeräten
- S: Minimal und maximal zulässige Tragfähigkeit
- T: Entsorgung des Produkts
- U: Verweis auf die Einhaltung der OSHA-Normen
- V: QR-Code, der zur Produktinformation führt
- W: Datamatrix-Code mit Herstellungsdaten
- NUR SÖLL VC570**
- X: Verweis auf die Einhaltung der CSA-Normen
- Y: Nur zur Verwendung mit Honeywell (Söll) Steigschutzsystem

ES**VC510 Y VC570**

- A: El nombre, marca registrada u otras maneras de identificar al fabricante o al proveedor
- B: Nombre del producto
- C: Sistemas anticaídas compatibles
- D: Enganche de esternón
- E: La distancia entre el arnés y el cable vertical no debe exceder los 22 cm (9 pulgadas).
- F: No usar con cuerda
- G: Se debe inspeccionar el producto antes de cada uso
- H: Logo EC seguido por el número de organización notificada para seguir la producción
- I: Pictograma estándar utilizado para indicar al usuario que lea las instrucciones.
- J: Logo UKCA seguido por el número de organización autorizada
- K: Referencia al cumplimiento de la norma ANSI
- L: Número de las normas europeas de conformidad y su año
- M: Marcado que indica la orientación correcta del dispositivo durante el uso
- N: Fecha de producción en MM/AA; lote o número de serie
- O: País de origen
- P: Sitio web del fabricante
- Q: Sitio web de patente
- R: Símbolo RAEE que indica recogida por separado para desperdicios eléctricos y equipos electrónicos
- S: Capacidad de carga mínima y máxima permisible
- T: Eliminación del producto
- U: Referencia al cumplimiento de la norma OSHA
- V: Código QR que redirige a la información del producto
- W: Código DataMatrix con los datos de fabricación
- VC570 SOLAMENTE**
- X: Referencia al cumplimiento de la norma CSA
- Y: Usar solamente con línea de anclaje rígida de Honeywell

FI**VC510 & VC570**

- A: Nimi, tavaramerkki tai muu keino valmistajan tai toimittajan tunnistamiseksi
- B: Tuotteen nimi
- C: Yhteensopivat putoamissuojainjärjestelmät
- D: Rintakiinnitys
- E: Valjaiden ja pystysuoran vaijerin välinen etäisyys ei saa ylittää 9 tuumaa.
- F: Älä käytä varmistusvyön kanssa
- G: Tuote on tarkastettava ennen jokaista käyttöä
- H: EY-logo ja sen organisaation numero, joka on ilmoitettu valvomaan tuotantoa
- I: Standardoitu kuvamerkki, joka opastaa käyttäjää lukemaan ohjeet
- J: UKCA-logo, jota seuraa valtuutetun elimen numero
- K: Viittaus ANSI-standardin noudattamiseen
- L: Eurooppalaisten vaatimustenmukaisuusstandardi en numero ja vuodet
- M: Merkintä, joka osoittaa sukkulan oikean suunnan käytettäessä
- N: Valmistuspäivä KK/VV; Erä- tai sarjanumero
- O: Alkuperämaa
- P: Valmistajan verkkosivusto
- Q: Patenttisivusto
- R: Sähkö- ja elektroniikkalaiteromun erilliskeräystä osoittava sähkö- ja elektroniikkalaiteromun (WEEE) symboli
- S: Pienin ja suurin sallittu kuorma
- T: Tuotteen hävittäminen
- U: Viittaus OSHA-standardin noudattamiseen
- V: QR-koodi tuotetietoihin
- W: Valmistustiedot sisältävä Datamatrix-koodi
- VAIN VC570**
- X: Viittaus CSA-standardin noudattamiseen
- Y: Käytä vain Honeywellin jäykän johteen kanssa

FR**VC510 & VC570**

- A: Le nom, la marque ou tout autre moyen d'identification du fabricant ou du fournisseur
- B: Nom du produit
- C: Systèmes antichute compatibles
- D: Attache sternal
- E: La distance séparant le harnais et le câble vertical ne doit pas dépasser 228,6 mm (9 pouces).
- F: Ne pas utiliser avec une longe
- G: Le produit doit être inspecté avant chaque utilisation
- H: Logo CE suivi du numéro de l'organisation notifiée pour surveiller la production
- I: Pictogramme normalisé invitant l'utilisateur de lire les instructions
- J: Logo UKCA suivi du numéro de l'organisme agréé
- K: Référence à la conformité à la norme ANSI
- L: Nombre de normes de conformité européennes et leurs années
- M: Marquage indiquant la bonne orientation de la navette lors de son utilisation
- N: Date de fabrication MM/AA ; Numéro de lot ou de série
- O: Pays d'origine
- P: Site Web du fabricant
- Q: Site Web des brevets
- R: Symbole WEEE indiquant une collecte séparée de déchets d'équipements électriques et électroniques
- S: Capacité de charge minimale et maximale admissible
- T: Élimination du produit
- U: Référence à la norme de conformité OSHA
- V: Code QR menant à des informations sur le produit
- W: Code Datamatrix contenant les données de fabrication

VC570 UNIQUEMENT

- X: Référence à la norme de conformité CSA
- Y: À utiliser uniquement avec le support d'assurance rigide Honeywell

HR**VC510 & VC570**

- A: Naziv, zaštitni znak ili bilo koja druga sredstva za identifikiranje proizvođača ili dobavljača
- B: Naziv proizvoda
- C: Kompatibilni sustavi za zaustavljanje pada
- D: Sternalni prilog
- E: Udaljenost koja razdvaja kabelski svežanj i okomiti kabel ne smije biti veća od 9 inča.
- F: Nemojte koristiti s vezicom
- G: Proizvod treba provjeriti prije svake uporabe
- H: EC logo iza kojeg slijedi broj organizacije koja je obaviještena za praćenje proizvodnje
- I: Standardizirani piktogram koji korisnika obavještava da pročitajte upute.
- J: Logotip UKCA iza kojeg slijedi broj ovlaštenog tijela
- K: Referenca ka ANSI Standardu o usklađenosti
- L: Broj europskih standarda sukladnosti i njihove godine
- M: Označavanje koje pokazuje ispravnu orijentaciju čunka prilikom uporabe
- N: Datum proizvodnje MM/GG; Serijski broj ili broj serije
- O: Zemlja podrijetla
- P: Internet stranica proizvođača
- Q: Internet stranica patenta
- R: WEEE simbol označava odvojeno prikupljanje otpada električne i elektroničke opreme
- S: Najmanja i najveća dopuštena nosivost
- T: Bacanje proizvoda
- U: Referenca ka OSHA Standardu o usklađenosti
- V: QR kod koji vodi do informacija o proizvodu
- W: Datamatrix kod koji sadrži podatke o proizvodnji

VC570 SAMO

- X: Referenca ka CSA Standardu o usklađenosti
- Y: Koristite samo s linijom grubog sidra tvrtke Honeywell

HU**VC510 ÉS VC570**

- A: A gyártó vagy a szállító neve, védjegye vagy bármely más, a gyártó vagy a szállító azonosítására szolgáló eszköz
- B: A termék neve
- C: Kompatibilis zuhanásgátló rendszerek
- D: Szegycsonti rögzítés
- E: A kábelköteg és a függőleges kábel közötti távolság nem haladhatja meg a 9 hüvelyket.
- F: Ne használja kötéllel
- G: A terméket minden használat előtt ellenőrizni kell
- H: EK-logó, amelyet a gyártás ellenőrzésére bejelentett szervezet száma követ
- I: Szabványosított piktogram, amely tájékoztatja a felhasználót a használati utasítás elolvasásáról
- J: UKCA logó, amelyet az engedélyezett szervezet száma követ
- K: Hivatkozás az ANSI szabványnak való megfelelésre
- L: Az európai megfelelőségi szabványok száma és évszáma
- M: Jelölés, amely jelzi a transzfer megfelelő tájolását használat közben
- N: Gyártási dátum HH/ÉÉ; Tétel- vagy sorozatszám
- O: Származási ország
- P: A gyártó weboldala
- Q: A szabadalom weboldala
- R: WEEE szimbólum, amely jelzi az elektromos és elektronikus berendezések hulladékának elkülönített gyűjtését
- S: Minimális és maximális megengedett terhelhetőség
- T: A termék ártalmatlanítása
- U: Hivatkozás az OSHA szabványnak való megfelelésre
- V: QR-kód, amely a termékinformációkhoz vezet
- W: Gyártási adatokat tartalmazó adatmátrix kód

CSAK VC570

- X: Hivatkozás a CSA szabványnak való megfelelésre
- Y: Csak a Honeywell merev horgonykötéllel használható

IS**VC510 & VC570**

- A: Heiti, vörumerki eða önnur leið til að auðkenna framleiðanda eða birgja
- B: Vöruheiti
- C: Samhæf fallstöðvunarkerfi
- D: Bringufesting
- E: Fjarlægðin sem aðskilur belti og lóðrétta kapalinn ætí ekki að vera meiri en 9 tommur.
- F: Ekki nota með bandi
- G: Skoða skal vöruna fyrir hverja notkun
- H: EB merki sem fylgt er á eftir með númeri stofnunarinnar sem tilkynnt er um eftirlit með framleiðslunni
- I: Staðlað myndmerki sem upplýsir notandann um að lesa leiðbeiningarnar
- J: UKCA merki sem fylgt er á eftir með númeri viðurkennds aðila
- K: Tilvísun í samræmi við ANSI staðal
- L: Númer evrópskra samræmisstaðla og ártal þeirra
- M: Merking sem gefur til kynna rétta stefnu skutlunnar þegar hún er notuð
- N: Framleiðsludagur MM/YY; Lotu- eða raðnúmer
- O: Upprunaland
- P: Vefsíða framleiðanda
- Q: Vefsíða um einkaleyfi
- R: WEEE tákn sem gefur til kynna sérstaka söfnun fyrir úrgang á raf- og rafeindabúnaði
- S: Lágmarks og hámarks leyfilegt burðargeta
- T: Förgun vörunnar
- U: Tilvísun í samræmi við OSHA staðal
- V: QR kóði sem leiðir til vöruupplýsinga
- W: Datamatrix kóði sem inniheldur framleiðslugögn

AÐEINS VC570

- X: Tilvísun í samræmi við CSA staðal
- Y: Notist eingöngu með stifri akkerislínu frá Honeywell

IT**VC510 E VC570**

- A: Il nome, il marchio o qualsiasi altro mezzo di identificazione del produttore o del fornitore
- B: Nome del prodotto
- C: Sistemi anticaduta compatibili
- D: Attacco sternale
- E: La distanza tra l'imbracatura e il cavo verticale non deve superare i 9 pollici.
- F: Non utilizzare con il cordino
- G: Il prodotto deve essere ispezionato prima di ogni utilizzo
- H: Marcatura CE seguita dal numero dell'ente preposto al monitoraggio della produzione
- I: Pittogramma standardizzato che informa l'utente sulla necessità di leggere le istruzioni
- J: Logo UKCA seguito dal numero dell'ente autorizzato
- K: Riferimento di conformità alla norma ANSI
- L: Numero delle norme europee di conformità e relativi anni
- M: Marcatura che indica il corretto orientamento del carrello quando viene utilizzato
- N: Data di produzione MM/AA; numero di lotto o di serie
- O: Paese di origine
- P: Sito web del produttore
- Q: Sito web del brevetto
- R: Simbolo RAEE che indica la raccolta differenziata per i Rifiuti di Apparecchiature Elettriche ed Elettroniche
- S: Capacità di carico minima e massima ammissibile
- T: Smaltimento del prodotto
- U: Riferimento di conformità alla norma OSHA
- V: Codice QR che reindirizza alle informazioni sul prodotto
- W: Codice Datamatrix contenente i dati di produzione

SOLO VC570

- X: Riferimento di conformità alla norma CSA
- Y: Utilizzare solo con la linea di ancoraggio rigida Honeywell



VC510 E VC570

- A: Името, заштитниот знак или кои било други начини на идентификација на производителот или продавачот
- B: Име на производот
- C: Компатибилен систем за заштита од паѓање
- D: Додаток за граден кош
- E: Растојанието коешто го разделува појасот и вертикалниот кабел не треба да надмине 9 инчи.
- F: Не употребувајте со јаже
- G: Производот треба да биде проверен пред секоја употреба
- H: Лого ЕС следено со бројот на организацијата известена да го следи производството
- I: Стандардизиран пиктограм кој го информира корисникот да ги прочита упатствата
- J: Лого UKCA следено од бројот на овластеното тело
- K: Референца за усогласеност со ANSI стандард
- L: Број на Европски стандарди за сообразност и нивните години
- M: Означувањето покажува правилна ориентација на рачката кога се користи
- N: Датум на производство MM/ГГ; партија или сериски број
- O: Земја на потекло
- P: Веб-локација на производителот
- Q: Веб-локација на патентот
- R: Символот WEEE укажува на одделно собирање за Отпад од електрична и електронска опрема
- S: Минимален и максимален дозволен капацитет на оптоварување
- T: Фрлање на производот
- U: Референца за усогласеност со OSHA стандард
- V: QR-код кој води до информации за производот
- W: Datamatrix код кој содржи податоци за производство

САМО VC570

- X: Референца за усогласеност со CSA стандард
- Y: Употребувајте само со Honeywell линија со ригиден затегнувач



VC510 & VC570

- A: De naam, het handelsmerk of enige andere manier om de fabrikant of leverancier te identificeren
- B: Productnaam
- C: Compatibele valbeveiligingssystemen
- D: Bevestigingspunt op de borst
- E: De afstand tussen de harnessgordel en de verticale kabel mag niet groter zijn dan 9 inch.
- F: Niet gebruiken met een lijn
- G: Het product moet voor elk gebruik worden geïnspecteerd
- H: EC-logo gevolgd door het nummer van de organisatie die is aangesteld om de productie te controleren
- I: Gestandaardiseerd pictogram dat de gebruiker informeert de instructies te lezen
- J: UKCA-logo gevolgd door het nummer van de bevoegde instantie
- K: Verwijzing naar de naleving van de ANSI-norm
- L: Nummer van de Europese conformiteitsnormen en hun jaren
- M: Markering die de correcte richting van de shuttle aanduidt bij gebruik
- N: Productiedatum MM/JJ; partij- of serienummer
- O: Herkomstland
- P: Website van de fabrikant
- Q: Octrooiwebsite
- R: WEEE-symbool dat de gescheiden inzameling van afval van elektrische en elektronische apparatuur aanduidt
- S: Minimaal en maximaal toegestaan draagvermogen
- T: Afstoting van het product
- U: Verwijzing naar de naleving van de OSHA-norm
- V: QR-code voor productinformatie
- W: Datamatrixcode met productiegegevens

ALLEEN VC570

- X: Verwijzing naar de naleving van de CSA-norm
- Y: Uitsluitend voor gebruik met een starre ankerlijn van Honeywell



VC510 OG VC570

- A: Navnet, varemerket eller andre måter å identifisere produsenten eller leverandøren på
- B: Produktnavn
- C: Kompatible fallsikringsystemer
- D: Sternalfeste
- E: Avstanden mellom selen og den vertikale kabelen bør ikke overstige 9 tommer.
- F: Må ikke brukes med snor
- G: Produktet bør inspiseres før hver bruk
- H: EC-logo etterfulgt av nummeret til organisasjonen som er varslet for å overvåke produksjonen
- I: Standardisert piktogram som informerer brukeren om å lese instruksjonene
- J: UKCA-logo etterfulgt av nummeret til det autoriserte organet
- K: Referanse til ANSI-standarden
- L: Antall europeiske samsvarsstandarder og deres år
- M: Merking som indikerer riktig orientering av skyttelen når den brukes
- N: Produksjonsdato MM/ÅÅ; Batch- eller serienummer
- O: Opprinnelsesland
- P: Produsentens nettsted
- Q: Patentnettsted
- R: WEEE-symbol som indikerer separat innsamling for avfall av elektrisk og elektronisk utstyr
- S: Minimum og maksimum tillatt lastekapasitet
- T: Avhending av produktet
- U: Referanse til OSHA-standarden
- V: QR-kode som fører til produktinformasjon
- W: Datamatriksekode som inneholder produksjonsdata

KUN VC570

- X: Referanse til CSA-standarden
- Y: Brukes kun med stiv ankerline fra Honeywell



VC510 I VC570

- A: Nazwa, znak towarowy lub jakikolwiek inny sposób identyfikacji producenta lub dostawcy
- B: Nazwa produktu
- C: Kompatybilne systemy zabezpieczające przed upadkiem z wysokości
- D: Mocowanie w części mostkowej
- E: Odległość między uprzążą a pionowym kablem nie powinna przekraczać 9 cali.
- F: Nie używać z linką bezpieczeństwa
- G: Produkt należy sprawdzić przed każdym użyciem
- H: Oznaczenie EC, po którym następuje numer notyfikowanej jednostki monitorującej produkcję
- I: Standardowy piktogram informujący użytkownika o konieczności przeczytania instrukcji
- J: Oznaczenie UKCA, po którym następuje numer notyfikowanej jednostki
- K: Odniesienie do zgodności z normą ANSI
- L: Numer europejskich norm zgodności wraz z rokiem
- M: Oznaczenie wskazujące prawidłową orientację wózka podczas użycia
- N: Data produkcji MM/RR; numer partii lub numer seryjny
- O: Kraj pochodzenia
- P: Tel.: Strona producenta
- Q: Strona internetowa z patentami
- R: Symbol WEEE oznaczający selektywną zbiórkę odpadów sprzętu elektrycznego i elektronicznego
- S: Minimalna i maksymalna dopuszczalna nośność
- T: Utylizacja produktu
- U: Odniesienie do zgodności z normą OSHA
- V: Kod QR prowadzący do informacji o produkcie
- W: Kod matrycowy zawierający dane produkcyjne

TYLKO VC570

- X: Odniesienie do zgodności z normą CSA
- Y: Do użytku wyłącznie ze sztywną prowadnicą Honeywell

PT**VC510 & VC570**

- A: O nome, a marca registada ou qualquer outro meio de identificação do fabricante ou do fornecedor
- B: Nome do produto
- C: Sistemas anti-queda compatíveis
- D: Fixação esternal
- E: A distância que separa o arnês e o cabo vertical não deve exceder 9 polegadas.
- F: Não utilizar com cordão de segurança
- G: O produto deve ser inspecionado antes de cada utilização
- H: logótipo CE seguido do número do organismo notificado para controlar a produção
- I: Pictograma normalizado que informa o utilizador de que deve ler as instruções
- J: Logótipo da UKCA seguido do número do organismo autorizado
- K: Referência à conformidade com a norma ANSI
- L: Número das normas europeias de conformidade e respetivos anos
- M: Marcação que indica a orientação correta da lançadeira quando utilizada
- N: Data de fabrico MM/AA; Número de lote ou de série
- O: País de origem
- P: Sítio Web do fabricante
- Q: Sítio Web de patentes
- R: Símbolo REEE que indica a recolha separada de resíduos de equipamentos elétricos e eletrónicos
- S: Capacidade de carga mínima e máxima admissível
- T: Eliminação do produto
- U: Referência ao cumprimento da norma OSHA
- V: Código QR que conduz à informação sobre o produto
- W: Código da matriz de dados que contém os dados de fabrico

VC570 SOMENTE

- X: Referência à conformidade com a norma CSA
- Y: Utilizar apenas com linha de ancoragem rígida Honeywell

RO**VC510 ȘI VC570**

- A: Numele, marca comercială sau orice alte mijloace de identificare a producătorului sau a furnizorului
- B: Denumire produs
- C: Sisteme compatibile de oprire a căderii
- D: Punct de atașare de pe piept
- E: Distanța dintre ham și cablul vertical nu trebuie să depășească 23 cm.
- F: A nu se folosi împreună cu o lonjă
- G: Produsul trebuie inspectat înainte de fiecare utilizare
- H: Sigla CE urmată de numărul organizației notificate pentru a monitoriza procesul de producție
- I: Pictogramă standardizată care informează utilizatorul să citească instrucțiunile
- J: Sigla UKCA urmată de numărul organismului autorizat
- K: Trimitere la conformitatea cu standardul ANSI
- L: Numărul standardelor europene de conformitate și anii acestora
- M: Marcaj ce indică orientarea corectă a corpului dispozitivului în timpul utilizării
- N: Data fabricației LL/AA; numărul lotului sau numărul de serie
- O: Țara de origine
- P: Site-ul web al producătorului
- Q: Site-ul web al brevetului
- R: Simbol WEEE care indică colectarea separată a deșeurilor de echipamente electrice și electronice
- S: Capacitatea de încărcare minimă și maximă admisă
- T: Eliminarea produsului
- U: Trimitere la conformitatea cu standardul OSHA
- V: Codul QR care duce la informații despre produs
- W: Codul Datamatrix care conține informații de fabricație

DOAR VC570

- X: Trimitere la conformitatea cu standardul CSA
- Y: A se utiliza numai cu suport de ancorare rigid Honeywell

RU**VC510 и VC570**

- A: Название, торговая марка или любые другие средства идентификации производителя или поставщика.
- B: Наименование товара
- C: Совместимые системы защиты от падения
- D: Грудное крепление
- E: Расстояние между привязью и вертикальным тросом не должно превышать 9 дюймов.
- F: Не использовать со стропом
- G: Изделие следует инспектировать перед каждым использованием
- H: Логотип ЕС, за которым следует номер организации, уведомленной о контроле за производством
- I: Стандартизированная пиктограмма, информирующая пользователя о необходимости прочесть инструкцию
- J: Логотип UKCA, за которым следует номер уполномоченного учреждения
- K: Ссылка на соответствие стандарту ANSI
- L: Количество европейских стандартов соответствия и их годы
- M: Маркировка, указывающая на правильную ориентацию челнока при использовании
- N: Дата изготовления MM/ГГ; Номер партии или серийный номер
- O: Страна происхождения
- P: Веб-сайт производителя
- Q: Веб-сайт патента
- R: Символ WEEE, указывающий на отдельный сбор отходов электрического и электронного оборудования.
- S: Минимальная и максимальная допустимая грузоподъемность
- T: Утилизация изделия
- U: Ссылка на соответствие стандарту OSHA
- V: QR-код, ведущий к информации об изделии
- W: Код Datamatrix, содержащий производственные данные

ТОЛЬКО VC570

- X: Препратка към стандартното съответствие на CSA
- Y: Използвайте само с твърда анкерна линия Honeywell

SL**VC510 IN VC570**

- A: Ime, blagovna znamka ali druga sredstva prepoznavanja proizvajalca ali dobavitelja
- B: Ime izdelka
- C: Združljivi sistemi za preprečevanje padca
- D: Pritrditev na prsnico
- E: Razdalja med varovalnim pasom in navpično vrvjo ne sme presežati 23 cm.
- F: Ne uporabljajte z rešilno vrvjo
- G: Izdelek je treba pregledati pred vsako uporabo
- H: Logotip EC, ki mu sledi številka organizacije, priglase za nadzor proizvodnje
- I: Standardiziran piktogram, ki uporabnika obvešča, da mora prebrati navodila.
- J: Logotip UKCA, ki mu sledi številka pooblaščenega organa
- K: Referenca za združljivost s standardi ANSI
- L: Številka Evropskih standardov skladnosti in letnica
- M: Oznaka označuje pravilno usmerjenost varovalnega elementa med uporabo
- N: Datum proizvodnje MM/LL; serija ali serijska številka
- O: Država porekla
- P: Spletna stran proizvajalca
- Q: Spletna stran s patentom
- R: Simbol OEEQ, ki označuje ločeno zbiranje za odpadno električno in elektronsko opremo.
- S: Minimalna in maksimalna dovoljena nosilnost
- T: Odlaganje izdelka
- U: Referenca za združljivost s standardom OSHA
- V: Koda QR za povezavo do podatkov izdelka
- W: Koda podatkovne matrice, ki vsebuje podatke o proizvodnji

SAMO VC570

- X: Referenca za združljivost s standardi CSA
- Y: Uporabljajte samo togo sidrno vodilo Honeywell

SK**VC510 A VC570**

- A: Názov, obchodná značka, alebo akýkoľvek iný spôsob identifikácie výrobcu alebo dodávateľa
- B: Názov produktu
- C: Kompatibilné systémy zachytenia pádu
- D: Hrudné pripojenie
- E: Vzdialenosť medzi postrojom a vertikálnym káblom by nemala presiahnuť 9 palcov.
- F: Nepoužívajte s poistným lanom
- G: Výrobok sa má pred každým použitím skontrolovať
- H: Logo ES, po ktorom nasleduje číslo organizácie notifikovanej na monitorovanie výroby
- I: Štandardizovaný piktogram informujúci používateľa, aby si prečítal pokyny
- J: Logo UKCA, za ktorým nasleduje číslo autorizovaného orgánu
- K: Odkaz na súlad s normami ANSI
- L: Číslo európskych noriem a ich roky
- M: Označenie indikujúce správnu orientáciu bežca pri použití
- N: Dátum výroby MM/RR; Dávka alebo sériové číslo
- O: Krajina pôvodu
- P: Webstránka výrobcu
- Q: Webstránka patentu
- R: WEEE symbol, ktorý označuje separovaný zber odpadu z elektrických a elektronických zariadení
- S: Minimálna a maximálna povolená nosnosť
- T: Likvidácia výrobku
- U: Odkaz na súlad s normami OSHA
- V: QR kód vedúci k informáciám o výrobku
- W: Datamatrix kód obsahujúci výrobné údaje

LEN VC570

- X: Odkaz na súlad s normami CSA
- Y: Používajte len s pevným kotviacim vedením Honeywell

SR**VC510 & VC570**

- A: Ime, zaštitni znak ili bilo koji drugi način identifikacije proizvođača ili dobavljača.
- B: Naziv proizvoda.
- C: Kompatibilni sistemi za zaštitu od pada.
- D: Pričvršćivanje na grudi.
- E: Rastojanje koje razdvaja pojas i vertikalno užje ne bi trebalo da prelazi 9 inča.
- F: Ne koristiti sa trakom.
- G: Proizvod treba pregledati pre svake upotrebe.
- H: EC logotip koji prati broj organizacije koja je obaveštena da prati proizvodnju.
- I: Standardizovani piktogram koji obaveštava korisnika da pročita uputstva.
- J: UKCA logotip koji prati broj ovlašćenog organa.
- K: Referenca na usaglašenost sa standardom ANSI.
- L: Broj evropskih standarda usaglašenosti i njihove godine.
- M: Oznaka koja ukazuje na ispravnu orijentaciju šatla kada se koristi.
- N: Datum proizvodnje MM/GG; broj serije ili serijski broj.
- O: Zemlja porekla.
- P: Internet stranica proizvođača.
- Q: Internet stranica patenta.
- R: Simbol WEEE koji označava posebno prikupljanje otpada električne i elektronske opreme.
- S: Minimalna i maksimalna dozvoljena nosivost.
- T: Odlaganje proizvoda.
- U: Referenca za usklađenost sa standardom OSHA.
- V: QR kod koji vodi do informacija o proizvodu.
- W: Datamatrix kod koji sadrži proizvodne podatke.

SAMO ZA VC570

- X: Referenca za usklađenost sa standardom CSA.
- Y: Upotreba samo sa Honeywell krutim vodom za ankerisanje.

VC510 & VC570

- A: Namn, varumärke eller andra sätt att identifiera tillverkaren eller leverantören
- B: Produktnamn
- C: Kompatibla fallskyddssystem
- D: Bakre fäste
- E: Sträckan som separerar selen och den lodräta linan bör inte överskrida 23 cm (9 tum).
- F: Använd inte med kopplingslina
- G: Produkten ska inspekteras före varje användningstillfälle
- H: EG-logotyp åtföljt av nummer den organisation som övervakar produktionen
- I: Standardfigur som uppmanar användaren att läsa anvisningarna
- J: UKCA-logotyp åtföljt av nummer på auktoriserat organ
- K: Hänvisning till ANSI-standardens överensstämmelse
- L: Nummer och årtal för överensstämmelse med europeiska standarder
- M: Märkningen visar rätt orientering för skytteln vid användning
- N: Tillverkningsdatum MM/ÅÅ, Parti- eller serienummer
- O: Ursprungsland
- P: Tillverkarens webbplats
- Q: Patentwebbplats
- R: WEEE-symbolen betyder att materialet måste återvinnas som elektriska och elektroniska produkter
- S: Minsta och högsta tillåtna lastkapacitet
- T: Bortskaffande av produkten
- U: Hänvisning till OSHA-standardens överensstämmelse
- V: QR-kod som leder till produktinformation
- W: Datamatriskod som innehåller tillverkningsdata

ENDAST VC570

- X: Hänvisning till CSA-standardens överensstämmelse
- Y: Använd endast med styv förankringslina från Honeywell

III - IDENTIFICATION SHEET

EN-Individual protection equipment identification sheet; BG-Идентификационен лист на лично предпазно средство; CS-Identifikační list jednotlivého ochranného zařízení; DA-Identifi kationsskema for personligt beskyttelsesudstyr; DE-Typenschild der Einzelpersonenschutzeinrichtung; EL-Φύλλο προσδιορισμού ατομικού εξοπλισμού προστασίας; ES-Ficha de identificación del equipo de protección individual; ET-Isikliku kaitsevahendiidentimisandmete siit; FI-Henkilökohkaisenturvallaitteentunnustiedot; FR-Fiched'identification d'équipement de protection individuelle; H-List za identifikaciju individualne zaštitne opreme; HU-Egyéni védebeszköz azonosítólapja; I-Scheda d'identificazione dell'attrezzatura per la protezione individuale; LT-Asmeninių apsaugos priemonių identifikavimo lapas; LV-Individuālā aizsargaprīkojuma identifikācijas karte; NL-Identificatiefiche persoonlijke beschermingsuitrusting; NO-Kontrolllog identifikasjonskort for individuelt verneutstyr; PL-Karta identyfikacyjna; P-Ficha de identificação do equipamento protecção individual; RO-Fișă de identificare pentru echipament de protecție individuală; RU-идентификационная карта; SK-Identifikačný list zariadenia na osobnú ochranu; SL-Tipska ploščica osebne zaščitne opreme; SV-Identifikationsblad för individuell skyddsutrustning; TR-Kişisel koruyucu ekipman tanımlama formu

EN-Equipment Type; BG-Тип оборудване; CS-Typ zařízení; DA-Type udstyr; DE: Art der Einrichtung; EL-Τύπος εξοπλισμού; ES-Tipo de equipo; ET-Kaitsevahendi tüüp; FI-Laitteen tyyppi; FR-Type d'équipement; HR-Vrsta opreme; HU-Eszköz típusa; IT-Tipo d'attrezzatura LT-Priemonės tipa; LV-Āprikojuma tips; NL-Type uitrusting; NO-Utstyrstype; PL-Nazwa wyposażenia; PT-Tipo de equipamento; RO-Tip de echipament; RU-Название оборудования; SK-Typ zariadenia; SL-Vrsta opreme; SV-Typ Avutrustning; TR-Ekipman Tipi



EN-Model Identification; BG-Идентификация на модела; CS-Identifikace model; DA-Modellens identifikation; DE-Modell; EL-Προσδιορισμός του μοντέλου; ES-Identificación del modelo; ET-Mudeli identimisandmed; FI-Mallin tunnus; FR-Identification du modèle; HR-Model Identifikacija; HU-Modell azonosítója; IT-Identificazione del modello; LT-Modelio identifikacija; LV-Modeļa identifikācija; NL-Identificatie model; NO-Modellidentifikasjon; PL-Identyfikacja modelu; PT-Identifi cação do modelo; RO-Identificare model; RU-Артикул; SK-Identifikácia modelu; SL-Model; SV-Identifering av modellen; TR-Model Tanımlaması



EN-Brand; BG-Марка; CS-Značka; DA-Varemærke; DE-Handelsbezeichnung; EL-Εμπορική ονομασία; ES-Marca comercial; ET-Kaubamärk; FI-Tavaramerkki; FR-Marque commerciale; HR-Marka; HU-Márka; IT-Marca commerciale; LT-Prekių ženklas; LV-Prezīme; NL-“Handels-merk”; NO-Varemerke; PL-Znak towarowy; PT-Marca comercial; RO-Marcă comercială; RU-товарный знак; SK-Značka; SL-Blagovna znamka; SV-Varumärke; TR-Marka

Honeywell
MILLER

EN-Manufacturer; BG-Производител; CS-Výrobce; DA-Fabrikant; DE-Hersteller; EL-Κατασκευαστής; ES-Fabricante; ET-Tootja; FI-Valmistaja; FR-Fabricant; HR-Prodvođač; HU-Gyártó; IT-Produttore; LT-Gamintojas; LV-Ražotājs; NL-Fabrikant; NO-Produsent; PL-Producent; PT-Fabricante; RO-Fabricant; RU-производитель; SK-Výrobca; SL-Proizvajalec; SV-Tillverkare; TR-İmalatçı

Honeywell Fall Protection Deutschland GmbH & Co. KG,
Seligenweg 10, D-95028 Hof, Germany

IS.PPE.TECHSUPPORT.EUROPE@honeywell.com
00 800 33 44 28 03
sps.honeywell.com

EN-Serial n°; **BG**-Сериен №; **CS**-Sériové č; **DA**-Serienummer; **DE**-Serien-Nr.; **EL**-Αρ. παραγωγής; **ES**-N.º de serie; **ET**-Seerianumber; **FI**-Sarja- numero; **FR**-Nº de série; **HR**-Serijski br.; **HU**-Sorozatszám; **IT**-N. di serie; **LT**-Serijos Nr.; **LV**-Sērijas Nr.; **NL**-Serienummer; **NO**-Serienummer; **PL**-Nr seryjny; **PT**-N.º de série; **RO**-Nr. de ser; **RU**-Серийный номер; **SK**-Sériové číslo; **SL**-Serijska številka; **SV**-Serie-nr; **TR**-Seri n°;



EN-Date of manufacture; **BG**-Дата на производство; **CS**-Datum výroby; **DA**-Fremstillingsdato; **DE**-Datum der Herstellung; **EL**-Ημερομηνία κατασκευής; **ES**-Fecha de fabricación; **ET**-Tootmiskuupäev; **FI**-Valmistuspäivämäärä; **FR**-Date de fabrication; **HR**-Datum proizvodnje; **HU**-Gyártás dátum; **IT**-Data di fabbricazione; **LT**-Pagaminimo data; **LV**-Ražošanas datums; **NL**-Fabricagedatum; **NO**- Produksjonsdato; **PL**-Data produkcji; **PT**-Data de fabricação; **RO**-Data fabricatiei; **RU**-Датаизготовления; **SK**-Dátum výroby; **SL**-Datum številka; **SV**-Tillverkningsdatum; **TR**-Üretim tarihi



EN-Purchase date; **BG**-Дата на закупуване; **CS**-Datum nákupu; **DA**-Købsdato; **DE**-Kaufdatum; **EL**-Ημερομηνία αγοράς; **ES**-Fecha de compra; **ET**-Ostukuupäev; **FI**-Ostopäivämäärä; **FR**-Date d'achat; **HR**-Datum kupnje; **HU**-Vásárlás dátuma; **IT**-Data di acquisto; **LT**-Įsigijimo data; **LV**-Iegādes datums; **NL**-Aankoopdatum; **NO**-Innkjøpsdat; **PL**-Data zakupu; **PT**-Data da compra; **RO**-Data achiziției; **RU**-Датаприобретения; **SK**-Dátum zakúpenia; **SL**-Datum nakupa; **SV**-nköpsdatum; **TR**-atın alma tarihi



EN-Date of first use; **BG**-Дата на първа употреба; **CS**-Datum prvního použití; **DA**-Første anvendelsesdato; **DE**-Datum des Ersteinsatzes; **EL**-Ημερομηνία πρώτης χρήσης; **ES**-Fecha de primer uso; **ET**-Esmakasutuse kuupäev; **FI**-Käyttöönottopäivämäärä; **FR**-Date de première utilisation; **HR**-Datum prve uporabe; **HU**-Első használat dátuma; **IT**-Data del primo utilizzo; **LT**-Pirmo panaudojimo data; **LV**-Iekļaušanas ekspluatācijā datums; **NL**-Datum eerste gebruik; **NO**-Tatt i bruk (dato.); **PL**-Data wprowadzenia do użytku; **PT**-Data da primeira utilização; **RO**-Data primei utilizări; **RU**-Дата ввода в эксплуатацию; **SK**-Dátum prvého použitia; **SL**-Datum prve uporabe; **SV**-Datum för första användning; **TR**-İlk kullanım tarihi



IV - INSPECTION SHEET

- 1. EN-Date; BG-Дата; CS-Datum; DA-Dato; DE-Datum; ES-Fecha; FI-Treffä; FR-Date; HR-Datum; HU-Datum; IS-Dagsetning; IT-Data; MK-Датум; NL-Datum; NO-Dato; PL-Data; PT-Data; RO-Data; RU-Дата; SL-Datum; SK-Datum; SV-Datum**
- 2. EN-Reason (periodic examination or repair); BG-Причина (периодичен преглед или ремонт); CS-Důvod (pravidelná prohlídka nebo oprava); DA-Årsak (periodisk undersøgelse eller reparation); DE-Grund (periodische Prüfung oder Reparatur); ES-Motivo (examen periódico o reparación); FI-Syy (määräaikaistarkastus tai korjaus); FR-Raison (examen périodique ou réparation); HR-Razlog (periodični pregled ili popravak); HU-Ok (időszakos vizsgálat vagy javítás); IS-Ástæða (reglubundin skoðun eða viðgerð); IT-Motivo (esame periodico o riparazione); MK-Причина (периодичен преглед или поправка); NL-Reden (periodiek onderzoek of reparatie); NO-Årsak (periodisk undersøkelse eller reparasjon); PL-Powód (badanie okresowe lub naprawa); PT-Motivo (exame periódico ou reparação); RO-Motivul (examinare periodică sau reparație); RU-Причина (периодический осмотр или ремонт); SL-Razlog (redni pregled ali popravilo); SK-Dôvod (pravidelná kontrola alebo oprava); SR-Разлог (периодични преглед или поправка); SV-Orsak (periodisk undersökning eller reparation)**
- 3. EN-Faults noticed, repairs carried out, remarks; BG-Забележани неизправности, извършени ремонти, забележки; CS-Zjištěné závady, provedené opravy, připomínky; DA-Konstaterede fejl, udførte reparationer, bemærkninger; DE-Festgestellte Mängel, durchgeführte Reparaturen, Bemerkungen; ES-Fallos detectados, reparaciones efectuadas, observaciones; FI-Havaitut viat, tehdyt korjaukset, huomautukset; FR-Défauts constatés, réparations effectuées, remarques; HR-Uočeni nedostaci, izvršeni popravci, primjedbe; HU-Észlelt hibák, elvégzett javítások, megjegyzések; IS-Bilana vart, viðgerðir framkvæmdar, athugasemdir; IT-Guasti riscontrati, riparazioni effettuate, osservazioni; MK-Забележани грешки, извршени поправки, забелешки; NL-Opgemerkte fouten, uitgevoerde reparaties, opmerkingen; NO-Konstaterete feil, utførte reparasjoner, merknader; PL-Zauważone usterki, przeprowadzone naprawy, uwagi; PT-Defeitos detectados, reparações efectuadas, observações; RO-Defecțiuni constatate, reparații efectuate, observații; RU-Замеченные неисправности, выполненный ремонт, замечания; SL-Ugotovljene napake, izvedena popravila, pripombe; SK-Zistené poruchy, vykonané opravy, pripomienky; SR-Uočeni kvarovi, izvršene popravke, primedbe; SV-Fel upptäckta, reparationer utförda, anmärkningar**
- 4. EN-Name and signature of the authorized person; BG-Име и подпис на упълномощеното лице; CS-Jméno a podpis oprávněné osoby; DA-Navn og underskrift på den autoriserede person; DE-Name und Unterschrift der bevollmächtigten Person; ES-Nombre y firma de la persona autorizada; FI-Valtuutetun henkilön nimi ja allekirjoitus; FR-Nom et signature de la personne autorisée; HR-Ime i potpis ovlaštene osobe; HU-A meghatalmazott személy neve és aláírása; IS-Nafn og undirskrift viðurkennds aðila; IT-Nome e firma della persona autorizzata; MK-Име и потпис на овлаштеното лице; NL-Naam en handtekening van de bevoegde persoon; NO-Navn og underskrift av den autoriserte personen; PL-Imię i nazwisko oraz podpis osoby upoważnionej; PT-Nome e assinatura da pessoa autorizada; RO-Numele și semnătura persoanei autorizate; RU-Имя и подпись уполномоченного лица; SR-Ime in potpis pooblašćene osebe; SK-Zistené poruchy, vykonané opravy, pripomienky; SL-Име и потпис овлашћеног лица; SV-Den auktoriserade personens namn och underskrift**
- 5. EN-Anticipated date for next periodic examination; BG-Очаквана дата за следващия периодичен преглед; CS-Předpokládané datum příští pravidelné prohlídky; DA-Forventet dato for næste periodiske undersøgelse; DE-Voraussichtlicher Termin für die nächste periodische Prüfung; ES-Fecha prevista para el próximo examen periódico; FI-Seuraavan määräaikaistarkastuksen arvioitu ajankohta; FR-Date prévue pour le prochain examen périodique; HR-Ime i potpis ovlaštene osobe; HU-A következő időszakos vizsgálat várható időpontja; IS-Nafn og undirskrift viðurkennds aðila; IT-Data prevista per il prossimo esame periodico; MK-Име и потпис на овлаштеното лице; NL-Verwachte datum voor het volgende periodieke onderzoek; NO-Forventet dato for neste periodiske undersøkelser; PL-Przewidywana data następnego badania okresowego; PT-Data prevista para o próximo exame periódico; RO-Data preconizată pentru următoarea examinare periodică; RU-Предполагаемая дата следующего периодического обследования; SL-Predvideni datum naslednjega rednega pregleda; SK-Predpokladaný dátum nasledujúcej periodickej kontroly; SR-Име и потпис овлашћеног лица; SV-Föväntat datum för nästa periodiska undersökning**

V - CONFORMITY EU 2016/425

EN-Notified body having carried out the EU test of type; **BG**-Нотифициран орган, който провежда ЕС изпитване на тип; **CS**-Oznámený orgán, který provedl EU test typu; **DA**-Godkendt organisme, der har udført EU-typeafprøvningen; **DE**-Zugelassene Stelle, welche die EU-Typprüfung durchgeföhrt hat; **EL**-Κοινοποιημένος οργανισμός ο οποίος διενήργησε τη δοκιμή τύπου **EE**; **ES**-Organismo notificado que ha realizado el examen UE de tipo; **ET**-Teavitatud asutus, mis tegi EL-tüübikatse; **FI**-Ilmoitettu järjestö, joka on suorittanut; EU-tyypitarkastuksen; **FR**-Organisme notifié ayant réalisé l'examen UE de Type; **HR**-Nadležno tijelo, koje je izvršilo EU tipsko testiranje; **HU**-A típus EU tesztjét elvégző kijelölt szervezet; **IT**-Organismo notificato che ha effettuato il controllo UE del Tipo; **LT**-Informuota institucija, atlikusi ES tipo testą; **LV**-Pilnvarotā iestāde, kas veikusi tipa ES pārbaudi; **NL**-Erkend organisme dat het EU type-onderzoek uitvoerde; **NO**-Notifisert organ som har utført EU-typeundersøkelse; **PL**-Jednostka notyfikowana zrealizowała badanie UE typu; **PT**-Organismo notificado tendo realizado o exame de tipo UE; **RO**-Organismul notificat care a efectuat testarea UE de tip; **RU**-Уполномоченный орган, выполняющий испытание ЕС типа; **SK**-Notifikovaný orgán, ktorý vykonal skúšku typu EÚ; **SV**-Officiellt provningsorgan som utfört EU-kontrollen av Typ; **TR**-AB tip testini yürütmüş olan onaylı kuruluş

SATRA Technology Europe Ltd
(n°2777)

Bracetown Business Park, Clonee
Dublin 15
Ireland

EN-Notified body involved in the monitoring of production (module D); **BG**-Нотифициран орган, включен в мониторинга на производството (модул D); **CS**-Oznámený orgán zapojený do sledování výroby (modul D); **DA**-Bemyndiget organ involveret i overvågning af produktion (modul D); **DE**-Benannte Stelle, die an der Überwachung der Produktion beteiligt ist (Modul D); **EL**-Κοινοποιημένος οργανισμός που συμμετέχει στην παρακολούθηση της παραγωγής (ενότητα Δ (D)); **ES**-Organismo notificado involucrado en el monitoreo de producción (módulo D); **ET**-Tootmist jälgiv teavitatud asutus (moodul D); **FI**-Ilmoitettu taho, joka mukana laitteen valmistuksen valvonnassa (moduuli D); **FR**-Organisme notifié intervenant dans le suivi de production (module D); **HR**-Nadležno tijelo uključeno u nadzor proizvodnje (modul D); **HU**-A termelés felügyelését biztosító szerv (D modul); **IT**-Organismo notificato coinvolto nel monitoraggio della produzione (modulo D); **LT**-Notifikuotoji įstaiga, atliekanti gamybos stebėjimą (D modulis); **LV**-Pilnvarotā iestāde, kas iesaistīta ražošanas pārraudzībā (modulis D); **NL**-Erkend organisme dat betrokken is bij het toezicht op de productie (module D); **NO**- Notifisert organ involvert i overvåkning av produksjon (modul D); **PL**-Jednostka notyfikowana zaangażowana w monitorowanie produkcji (modul D); **PT**-Organismo notificado incluído para a monitorização da produção (módulo D); **RO**-Organismul notificat responsabil cu monitorizarea producției (modulul D); **RU**-Уполномоченный орган, занимающийся мониторингом производства (модуль D); **SK**-Notifikovaný orgán zapojený do monitorovania výroby (modul D); **SL**-Obveščeni organ, ki je vključen v nadzorovanje izdelovanja (modul D); **SV**-Officiellt provningsorgan ansvarigt för produktionsövervakning av produktion (modul D); **TR**-Üretim izleminde görev alan onaylı kuruluş (Modül D)

AFNOR Certification
(n°0333)

11 Rue Francis de Pressensé
93571 LA PLAINE ST DENIS cedex
France

VI - EU DECLARATION OF CONFORMITY

EN-Honeywell Fall Protection hereby declares that this product is in compliance with the essential requirements and other relevant provisions of Regulation EU 2016/425 and all other EU directive requirements. The complete declaration of conformity can be found at: <https://doc.honeywellsafety.com>; **BG**-С настоящото Honeywell Fall Protection декларира, че този продукт съответства на основните изисквания и останалите съответни разпоредби на Регламент 2016/425 на ЕС и на всички останали изисквания на директивите на ЕС. Цялата декларация за съответствие е достъпна на: <https://doc.honeywellsafety.com>; **CS**-Honeywell Fall Protection tímto prohlašuje, že tento výrobek splňuje základní požadavky a další relevantní ustanovení Nařízení EU 2016/425 a všechny ostatní požadavky směrnice EU. Úplné prohlášení o shodě lze nalézt na: <https://doc.honeywellsafety.com>; **DA**-Honeywell Fall Protection erklærer hermed, at dette produkt stemmer overens med de væsentlige krav og andre relevante bestemmelser i Forordning EU 2016/425 og alle andre krav i EU-direktiver. Den fulde overensstemmelseserklæring kan findes på: <https://doc.honeywellsafety.com>; **DE**-Die Honeywell Fall Protection erklärt hiermit, dass dieses Produkt die wesentlichen Anforderungen und andere relevante Bestimmungen der Verordnung EU 2016/425 und weitere EU-Richtlinien erfüllt. Die vollständige Konformitätserklärung ist einsehbar unter <https://doc.honeywellsafety.com>; **EL**-Honeywell Fall Protection δηλώνει ότι το προϊόν αυτό συμμορφώνεται με τις βασικές απαιτήσεις και τις λοιπές σχετικές διατάξεις του ΚΑΝΟΝΙΣΜΟΣ ΕΕ 2016/425 και με όλες τις άλλες απαιτήσεις της Οδηγίας της ΕΕ. Η πλήρης δήλωση συμμόρφωσης βρίσκεται στο ιστότοπο: <https://doc.honeywellsafety.com>; **ES**-Por la presente, Honeywell Fall Protection declara que este producto cumple con los requisitos esenciales y con otras cláusulas relevantes de la Reglamento EU 2016/425 y con todos los demás requisitos de directivas de la UE. La declaración de conformidad completa se puede encontrar en: <https://doc.honeywellsafety.com>; **ET**-Käesolevaga deklareerib Honeywell Fall Protection, et see toode vastab ELi määruse EL 2016/425 ja kõikide muude ELi direktiivide põhinõuetele ja muudele asjakohastele nõuetele. Täieliku vastavusdeklaratsiooni võtte leida saidilt <https://doc.honeywellsafety.com>; **FI**-Honeywell Fall Protection vakuuttaa täten, että tämä tuote täyttää Asetus EU 2016/425 sekä muiden EU-direktiivien olennaiset vaatimukset. Täydellinen vaatimustenmukaisuusvakuutus on osoitteessa: <https://doc.honeywellsafety.com>; **FR**-Honeywell Fall Protection déclare que ce produit est conforme aux critères essentiels et autres dispositions du Règlement UE 2016/425 et des autres directives européennes applicables. L'attestation complète de conformité est disponible à l'adresse <https://doc.honeywellsafety.com>; **HR**-Honeywell Fall Protection izjavljuje da proizvod ispunjava zahtjeve i druge odgovarajuće odredbe Uredbe EU 2016/425 i ostalih EU-Direktiva. Potpunu Izjavu o suglasnosti potražite na <https://doc.honeywellsafety.com>; **HU**-A Honeywell Fall Protection nyilatkozta, hogy a termék megfelel az érvényes követelményeknek és a 216/425 sz. EU Rendelet előírásainak és a többi EU-s irányelvek előírásainak. A teljes megfelelőségi nyilatkozatot megtekintheti a <https://doc.honeywellsafety.com> weboldalon; **IT**-Honeywell Fall Protection dichiara che il presente prodotto è conforme ai requisiti essenziali e ad altre disposizioni applicabili dal Regolamento UE 2016/425 e di tutte le altre direttive UE. La dichiarazione di conformità completa è disponibile all'indirizzo: <https://doc.honeywellsafety.com>; **LT**-Šiuo dokumentu „Honeywell Fall Protection“ pareiškia, kad šis produktas atitinka 2016/425 ES reglamentas ir kitų ES direktyvų atitinkamus esminius reikalavimus ir kitas susijusias nuostatas. Visą atitikties deklaraciją galite rasti: adresu <https://doc.honeywellsafety.com>; **LV**-Uzņēmums Honeywell Fall Protection ar šo paziņu, ka šis produkts atbilst Regulas (ES) 2016/425 pamatprasībām un saistītajiem noteikumiem, kā arī visu citu ES direktīvu prasībām. Pilna atbilstības deklarācija ir pieejama vietnē: <https://doc.honeywellsafety.com>; **NL**-Honeywell Fall Protection verklaart hierbij dat dit product voldoet aan de essentiële vereisten en andere relevante bepalingen van Verordening EU 2016/425 en alle andere vereisten van de EU-Reglementeringen. De volledige conformiteitsverklaring kunt u vinden op: <https://doc.honeywellsafety.com>; **NO**-Honeywell Fall Protection erklærer herved at dette produktet er i samsvar med grunnleggende og andre relevante krav i henhold til forordning EU 2016/425 og alle andre krav i EU-direktiver. Den fullstendige overholdelseserklæringen finner du på: <https://doc.honeywellsafety.com>; **PL**-Firma Honeywell Fall Protection niniejszym deklaruje, że ten produkt jest zgodny z podstawowymi wymaganiami i zaleceniami określonymi w rozporządzeniu EU 2016/425 oraz innych dyrektywach UE. Pełna treść Deklaracji zgodności jest dostępna w witrynie: <https://doc.honeywellsafety.com>; **PT**- A Honeywell Fall Protection declara pelo presente que este produto está de acordo com os requisitos essenciais, bem como outras disposições relevantes, da Regulamento EU 2016/425 e todos os outros requisitos de diretivas da União Europeia. O texto completo da Declaração de Conformidade encontra-se em: <https://doc.honeywellsafety.com>; **RO**-Honeywell Fall Protection declară prin prezentul că acest produs respectă cerințele esențiale și alte prevederi relevante ale Regulamentului UE 2016/425 și ale tuturor celorlalte cerințe ale directivei UE. Declarația completă de conformitate poate fi găsită la: <https://doc.honeywellsafety.com>; **RU**- Корпорация Honeywell Fall Protection настоящим заявляет, что данный продукт соответствует основным требованиям и другим соответствующим положениям регламента EU 2016/425 и прочим требованиям директивы ЕС. Полную декларацию соответствия можно найти здесь: <https://doc.honeywellsafety.com>; **SK**- Spoločnosť Honeywell Fall Protection týmto vyhlasuje, že tento výrobok je v súlade so základnými požiadavkami a ďalšími príslušnými ustanoveniami nariadenia EÚ 2016/425 a všetkými ostatnými požiadavkami smernice EÚ. Úplné vyhlásenie o zhode možno nájsť na adrese: <https://doc.honeywellsafety.com>; **SL**-Honeywell Fall Protection s tem izjavlja, da je ta izdelek skladen s ključnimi zahtevami in drugimi relevantnimi določili Uredbe EU 2016/425 in vsemi drugimi zahtevami direktive EU. Celotno izjavo o skladnosti lahko najdete na: <https://doc.honeywellsafety.com>; **SV**-Härmed förklarar Honeywell Fall Protection att denna produkt i alla väsentliga avseenden uppfyller de krav och föreskrifter som uppställts enligt Förordning EU 2016/425 och andra EU-direktiv. En komplett försäkran om överensstämmelse finns på: <https://doc.honeywellsafety.com>; **TR**-Honeywell Düşme Önleyici Tertibat işbu belgede bu ürünün AB Yönetmeliği 2016/425'in temel gerekliliklerine ve diğer ilgili hükümlerine ve diğer tüm AB yönetmeliği gerekliliklerine uygun olduğunu beyan eder. Tam uygunluk beyanı <https://doc.honeywellsafety.com> adresinde mevcuttur

VII - UKCA CONFORMITY

UK Conformity information

This is an addition to the information supplied with the product, read through it carefully.

Conformity to Protective Equipment (Enforcement) Regulations 2018 (SI 2018 No. 390) - PPE Regulation (EU)2016/425 as brought into the law and amended.

SATRA Technology Europe Ltd
(n°2777)
Bracetown Business Park, Clonee
Dublin 15
Ireland

Honeywell Fall Protection hereby declares that this product complies with the essential requirements of Protective Equipment (Enforcement) Regulations 2018 (SI 2018 No. 390) - PPE Regulation (EU)2016/425 as brought into the law and amended. The complete declaration of UK conformity can be found at:

<https://doc.honeywellsafety.com>

Product marking

**UK
CA**

Importer:

Honeywell Analytics
Hatch Pond House, 4 Stinsford Road
Nuffield Industrial Estate
Poole Dorset, BH17 ORZ U.K.

Manufacturer:

Honeywell Fall Protection Deutschland
GmbH & Co. KG,
Seligenweg 10
D-95028 Hof
Germany

Honeywell
MILLER

Söll VC500 series

Guided Type Fall Arrester
for Söll Vi-Go Arrest System

Honeywell
MILLER

CUSTOMER SERVICE CONTACT

North & Central Europe:

Germany
Email: scs-hof@honeywell.com
Tel: +49 (0) 928 183 020

Brasil

Brasil
Email: atendimento.his@honeywell.com
Tel: +55 1145 070 505

Australia & New Zeland

Australia
Email: hlshspamelbourne@honeywell.com
Tel: +62 1300 139 166

France, Spain, Portugal & North Africa

France
Email: lignedevie.hsp@honeywell.com
Tel: +33 (0) 248 530 897

Middle East & Africa

United Arab Emirates
E-mail: info-meta.hsp@honeywell.com
Tel: +97 1445 058 00

Americas

United States of America
E-mail: hsporderresolution@honeywell.com
Tel: +1 800 430 5490

Honeywell Fall Protection Deutschland GmbH & Co. KG,

Seligenweg 10, D-95028 Hof
Germany
sps.honeywell.com

Made in Slovakia

3011-9392-001 | Rev. 03 | 02/Nov/2023
© 2023 Honeywell International Inc.

