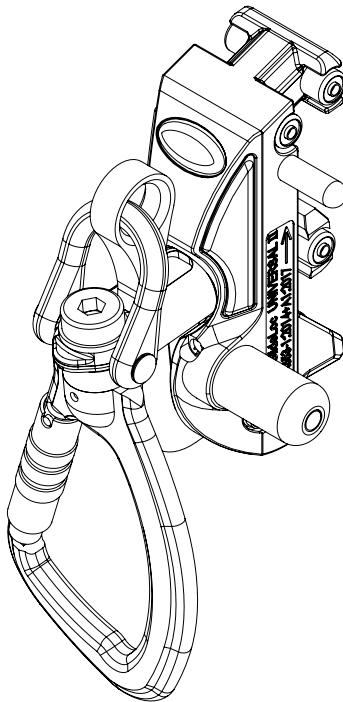


Usage and maintenance manual
Guided type fall arrester
“Söll® Universal II”
for the Söll GlideLoc® - fall arrest system

reference 27871/1034702

50169600/1036450



in accordance with EN 353-1:2014+A1:2017



Content

1.	General information	3
2.	Pre use information	6
3.	Use information	8
4.	Inspection and maintenance	15
5.	Miscellaneous	17

Explanation of symbols

	<p>Warning! Non-observance could result in serious injury.</p>
	<p>Important! Useful information and user tips are given here.</p>

Changes in this issue: complete rework

1. General information

1.1 Description of the Product and Hazards

The Söll GlideLoc®-fall arrester „Söll® Universal II“ [hereafter “fall arrester”] is a component of the fall protection system named Söll GlideLoc® which is equipped with a fixed guide designed to protect against fall from height. This fall protection system is certified in accordance with the norm EN 353-1 „Personal fall protection equipment - Guided type fall arresters including an anchor line - Part 1: Guided type fall arresters including a rigid anchor line] [hereafter the norm]. The operating company of the fall arrest system must suitably ensure that any user is granted its own full body harness EN 361 and its own fall arrester and that they are used according to the current instructions.

1.2 Manufacturer's details

Honeywell Fall Protection Deutschland GmbH & Co. KG
Seligenweg 10
95028 Hof, Deutschland
Phone: +49 (0) 9281 8302 0
E-mail: info-soell.hsp@honeywell.com

1.3 Compatibility

The fall arrester must be used only in conjunction with the original Söll fall arrest systems which have the Söll GlideLoc® EC-type examination certificate. Using systems of other manufacturers may prevent the proper and efficient functioning of the fall arrester.

The selection and use of the Söll GlideLoc® system must not be made without resorting to a person duly authorized by the manufacturer who will be able to help the user select the appropriate equipment, to analyze the requirements of a secure installation, and install them in a suitable configuration.

The fall arrester must only be used with full body harnesses compliant with norm EN 361 „Personal protective equipment against falls from a height - Full body harnesses“. Only fall arrest attachment elements certified according EN 361 (marked with “A”) must be used.

1.4 Performances of the fall arrester

The maximum arrest distance in case of a fall is 150 mm.

The maximum arrest force for a fall of a 100 kg weight will be 6 kN.

1.5 Limitations and capabilities



Danger!

Failure to comply with these provisions will expose the user to risks of fall from height!

The maximum user weight (including the clothing and equipment) may not exceed 140 kg.

Operating temperature for the fall protection system: -40° - +60°C

When not in use the ambient temperature must not exceed 100°C.

A maximum of 3 users may simultaneously protect themselves against falling from a height using the Söll GlideLoc® fall arrest system.

The Söll GlideLoc® fall arrester „Söll® Universal II“ is intended for one user only.

The fall arrester must not be used for leisure activities.

1.6 The fall arrester should always be handled in such a manner that it will be protected from any damage or corrosion.

1.7 WARNING

Before using this fall arrester, it is imperative that you read and understand this instruction manual and any additional instructions provided during training or given with the related system.

KEEP THIS MANUAL FOR FUTURE USE - DO NOT THROW AWAY!

Ask your employer to provide you with an user training before first use of this equipment. You may also be directly supervised by a trainer and/or an authorized person.

Danger!



Failure to comply with these instructions may result in serious injury or death!

All users must be provided with this instruction manual.

The operating company of the fall arrest system must ensure that this instruction manual is either kept in a safe and dry location near the system or is always kept in an easily accessible location that is known to all system users.

1.8 National accident prevention regulations and the rules for use of personal protective equipment against falling, for work positioning and for rescue must be adhered to.

1.9 For the users' safety, it is important that the retailer provides this manual in the respective country's language if this system is to be re-sold in another country.

1.10 Product versions

27871/1034702 - Aluminum karabiner (standard use)

50169600/1036450 - Stainless steel karabiner (use in corrosive environment)

2. Pre use information

2.1 Storage

Storage temperature must be between -40° and +50°C.

The fall arrester should be kept clean, dry and dust-free. It should not be stored near heat sources. No sun exposure during storage.

2.2 Inspection before use

2.2.1 Before each usage, the fall arrester including the karabiner hook has to be checked for the usage capability and correct functioning. (See the inspection check list 5.3)

2.2.2 The complete fall arrest system has to be checked in addition. After release the locking pin of the end stops must lock automatically in the initial position.

2.2.3 Before usage it is necessary to check that all components of the fall arrester are moving freely, especially the safety catch and the carabiner.

2.2.4 The fall arrester must not be used in case of any defects or doubts concerning safety. Do not use it until a authorized person or body (as defined in section 4.3) approves it for further use. If required send the fall arrester back to the manufacturer.

2.2.5 Users have to be in a good and healthy condition and physically fit. It is prohibited to climb if users are influenced by drugs, alcohol or medicine.

2.3 Transportation

Ensure that the fall arrester is protected from damage during transportation.

2.4 Installation mandatory pre-requisites and pre-use recommendations



Danger!

Failure to comply with the instructions of this section may result in serious injury or death!

The fall arrester must be used in combination with the elements of the Söll GlideLoc® system as described in the above section “compatibilities”.



Note:

It is necessary to be extremely careful at the bottom of the fall arrest system. Within the first 2m of the climbing path special attention during ascending and descending is required because it may not be possible to prevent the user from hitting the ground.

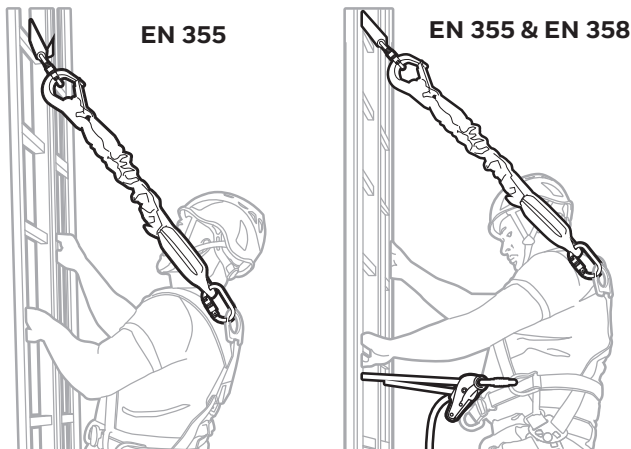
A vertical safety distance of at least 3.0 m between the users is mandatory.

2.5 Warning:



The fall arrest system and the full body harness secure the users against falling while ascending or descending. When working in or next to the climbing path and when executing tasks and actions that are not part of the usual ascent and descent movements, the climber must otherwise secure himself (the user alone takes the risk and liability for damages resulting out of this). This is also applicable when the user makes a break during climbing. In order to do this the user needs to use a lanyard compliant with EN 354 „Personal protection equipment against falls from height - Lanyards“ or a work positioning lanyard compliant with the EN 358 „Personal protective equipment for work positioning and prevention of falls from a height - Belts for work positioning and restraint and work positioning lanyards“. The choice of such lanyard must be done in consideration of the type of work and sub-structure and if needed in agreement with an expert. Only suitable anchor devices such as mounting brackets must be used for this purpose. In all these situations, the lanyard must held tight in order to prevent a fall (see Fig. 1).

Fig. 1



3. Use information

3.1 Insert at the beginning of the guide rail

Insert the fall arrester into the lower end of the guide rail (Fig. 2) or in the recess (Fig. 3) (that must always be positioned at the belly height or lower). The laterally protruding safety pin (Pos.1) must be on the right side and the engraved arrow must point upwards.

The safety pin (Pos.1) together with the end stop (Pos.2) prevent the incorrect use of the fall arrester and unintended slipping from the guide rail.

Fig. 2

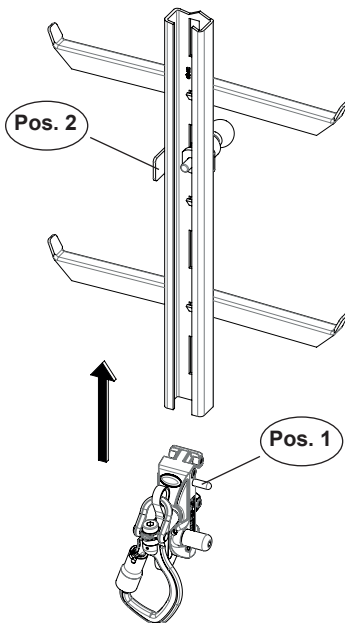
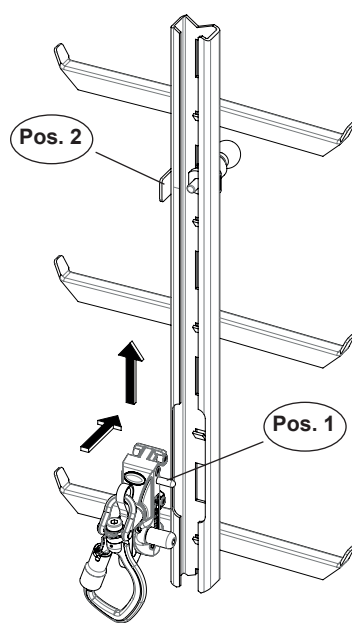


Fig. 3



Warning:

Crossing the end stop is allowed only

- in the areas **without** the risk of a fall from heights or
- if the fall protection is ensured otherwise.

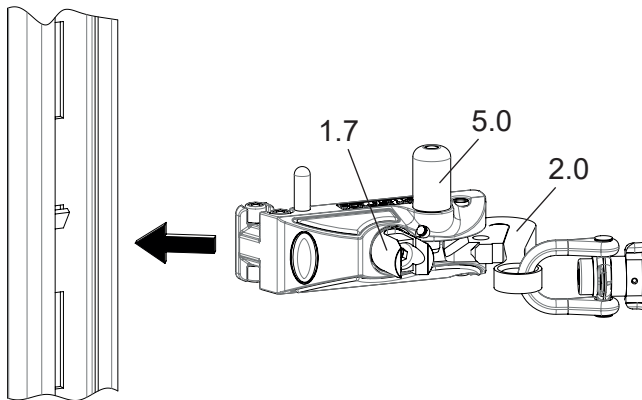
3.2 Insert at any desired position

After pulling the locking pin (5.0) the shock absorber (2.0) can be folded out and the locking axle (1.7) can be turned by 90°.

Insert into the guide rail takes place in the following order:

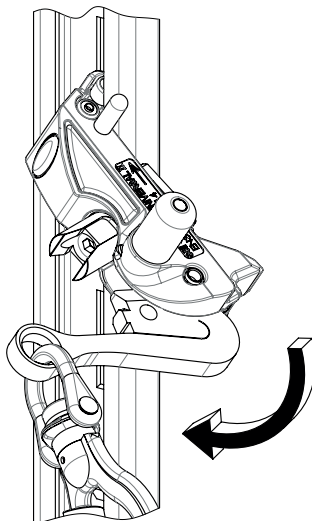
Insert the front wheels into the guide rail

Fig. 4.1



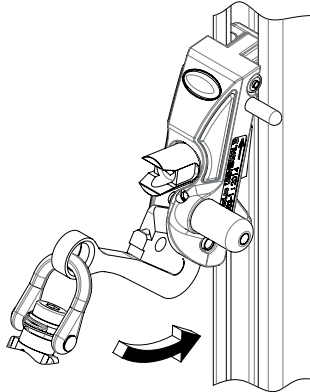
Swivel the fall arrester in the running direction

Fig. 4.2



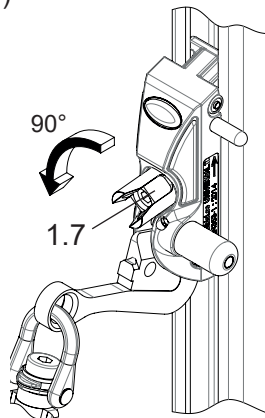
Insert the fall arrester into the guide rail

Fig. 4.3



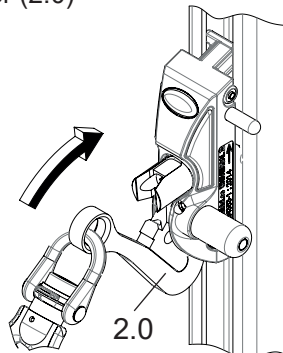
Turn the locking axle (1.7)

Fig. 4.4



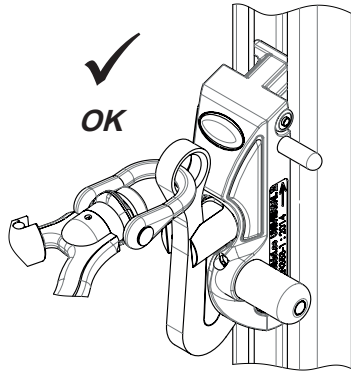
Lock the shock absorber (2.0)

Fig. 4.5



Functional check after inserting and locking

Fig. 4.6



Note:

The wheels of the locking axle (1.7) must be in the guide rail after inserting. The shock absorber (2.0) must be locked in order to prevent the locking axle (1.7) from twisting.

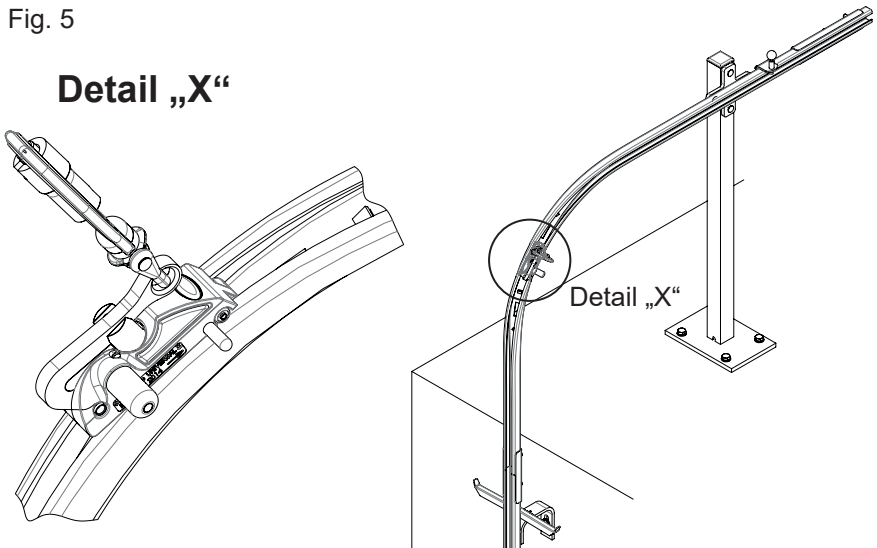


Warning!

When using the fall arrester „Söll® Universal II“ together with the change-over rail ensure that the running direction is correct (**arrow up**)!

Fig. 5

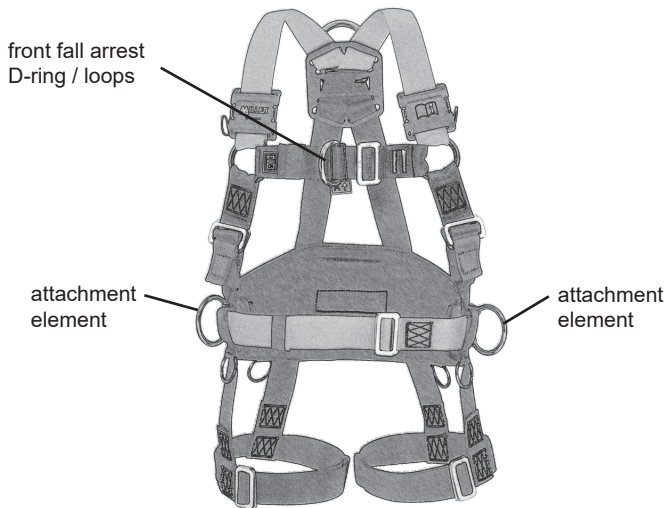
Detail „X“



The self locking karabiner of the fall arrester shall be connected with the front sternal fall arrest D-ring/loops of the full body harness marked with „A“.
(see Fig. 6)

In order to open the karabiner turn the gate to the left and push it inwards.

Fig. 6



Warning: Risk of life!

The karabiner of the fall arrester must be directly connected to the certified front sternal fall arrest D-ring/loops (marked with „A“) of the full body harness to ensure the usage in accordance with the standard EN 353-1.

Note:

It is absolutely prohibited to use karabiners of another type than the original ones provided!

The distance between the outer edge of the guide rail and the internally bent eyelet / loops on the harness must not exceed 220 mm.



Note:

The full body harness must fit well and tightly to the body!

If the harness should become loose during climbing, it must be readjusted. During readjusting of the harness users must be in a safe position and secured with a lanyard as specified in 2.5.

For more information, please refer to the user manual of the harness and/or lanyard.

- 3.3** After inserting the fall arrester and attaching to the full body harness, the system is ready for use. For descending it is necessary to unlock the fall arrester by lean backwards. The upper body still has to be in a upright position.



Attention!

Before and while using this fall arrester, ensure that the locking axle (1.7) is automatically pulled to the end stop in the housing by using the spring force.

3.4 Removing the fall arrester from the guide rail



Warning:

Before removing the fall arrester from the guide rail or detaching from the harness, users must be secured and protected against a fall from height otherwise!

In order to remove the fall arrester at the end of the guide rail, the end stop has to be crossed (Fig. 2, 3). In order to do this the locking pin has to be pulled backwards or sideways, depending on the design..

In order to remove the fall arrester at any desired position from the guide rail, proceed in the reverse order as described for inserting (chapter 3.2). For this, first the locking pin (5.0) on the right side of the fall arrester has to be pulled.

If other accessories (e.g. exit section) are mounted at the guide rail or ladder, please follow the respective manual.

After use the fall arrester must be removed from the guide rail.

3.5 Foreseeable misuse



Warning:

Any alterations or additions to the fall arrester „Söll® Universal II“ without the manufacturer’s written approval may prevent the fall arrester from properly functioning and are therefore prohibited.

The non-use of the front sternal fall arrest D-ring/loops may result in serious injury or death.

3.6 Emergency procedures

It is essential that the operator of the fall protection system has a rescue plan, wherein all possible emergencies, in particular the urgent need to evacuate an injured person, are taken into account.

4. Inspection and maintenance

4.1 A fall arrester loaded by a fall must be inspected by an authorized person or body before it is used again.

Never use such a fall arrester without the written approval from an authorized person or body.

4.2 The fall arrester and the respective manual must be sent to the manufacturer's workshop for inspection and maintenance.

4.3 An authorized person or body has to regularly check the fall arrester that it is in a good condition and ready for use. Such inspection has to be carried out at least once a year or more frequently depending on the application and operational conditions. In order to this the „**inspection checklist**“ (see 5.3) has to be used.

Not or only insufficient carried out inspections and maintenance will impair the functionality and the durability of the fall arrester and therefore endanger the safety of the user.



Warning!

Inspections may only be carried out by the manufacturer or by its authorized person or body.

The authorization can be acquired through a training and regular refreshers by the manufacturer.

The hereby received certificate is valid for 3 years and authorizes to conduct regular inspections of Söll systems.



Warning!

An authorization for inspections does not include an authorization to carry out repairs.

4.4 Maintenance

An authorized person or body is allowed to deal with following defects:

- removing dirt (concrete, mortar, paint, etc.) from the fall arrester
- cleaning the marking
- replacing of stickers

In case of dirt inside the fall arrester or if the fall arrester has any defects which require disassembly, it must be sent back to the manufacturer (together with the respective manual) for cleaning and repair. This process must be recorded in the annex of the checklist (space for comments).



Note:

For reasons of safety repairs may only be carried out by the manufacturer or a person appointed by him.

4.5 Cleaning

Wash the entire fall arrester with water and dry it using an absorbent cloth. Do not use heat sources for drying.

Do not wash it with a quick cleaner, thinner or degreaser containing trichloroethane. **Do not use grease.**

The wheels (Fig. 8 / Pos. 3.0) have plain bearings and have been lubricated in the factory.

Lubricate the rotary shackle (Fig. 8 / Pos. 4.0) and the karabiner gate (Fig. 8 / Pos. 6.1) slightly, if required.



Attention!

Do not bring the fall arrester in contact with chemicals.

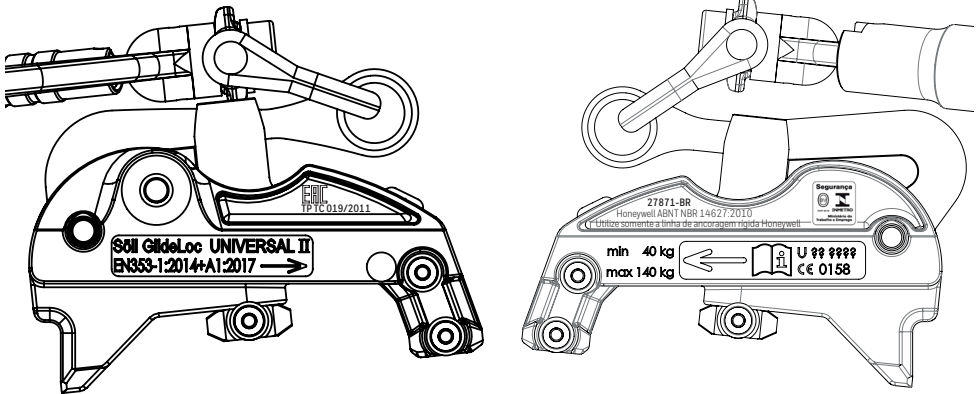
4.6 Operating lifetime

The operating lifetime of the fall arrester depends on the frequency of use and the operating conditions. During yearly inspection done by an authorized person or body the fall arrester will be only released for further use if the product and its components are in good condition.

5. Miscellaneous

5.1 Explanation of the marking

Fig. 7:



Year of manufacture

Serial number

CE 0158



Söll GlideLoc

UNIVERSAL II

EN 353-1:2014+A1:2017

TP TC 019/2011



ABNT NBR 14627:2010



min. 40 kg max.140 kg

- U ??

- ?????

- Monitoring notified body

- Advice to read the user manual

- Type of the fall protection system

- Type designation of the fall arrester

- Reference to the European standard

- Reference to the Russian standard

- Conformity marking of the Eurasian customs union

- Brazilian standard

- Brazilian conformity marking

- Min./max. permissible weight of the user

An authorized person or body is only allowed to place an inspection label, if the fall arrester is absolutely free from any defects after inspection and maintenance.

5.2 Relevant notified body

DEKRA Testing and Certification GmbH
Dinnendahlstrasse 9
44809 Bochum
CE 0158

5.3 Inspection checklist (see Fig. 8)

Body (1.0)

- Free from paint/mortar/concrete/dirt etc.
- Markings are clearly legible (1.1)
- Arrow (1.2) is well recognizable
- Safety pin (1.3) is not bent and sits firmly
- Running surface (1.4) is clean
- Stickers (1.5/1.6) are existing and not damaged *

Locking axle (1.7)

- Free from rust, dirt, concrete, paint etc.
- Freely movable and rotatable
- Is pulled to the end stop in the housing by spring force
- **Cannot** be rotated when the fall arrester is upside down

Shock absorber (2.0)

- Arrests with the locking pin (5.0)
- Moves freely
- Isn't deformed (2.1)

Wheels (3.0)

- All wheels are existing, 6 units
- Rotate freely (concentricity)
- Aren't damaged
- Sit firmly on the axles
- Minimum diameter of the wheels - 9 mm

Rotary shackle (4.0)

- Can be moved freely
- Isn't broken
- Has no cracks or other damages
- Thickness of the shackle must be at least 5,5 mm
- External dimension of shackle pin eyelet (4.1) maximal 40 mm

* not relevant for safety

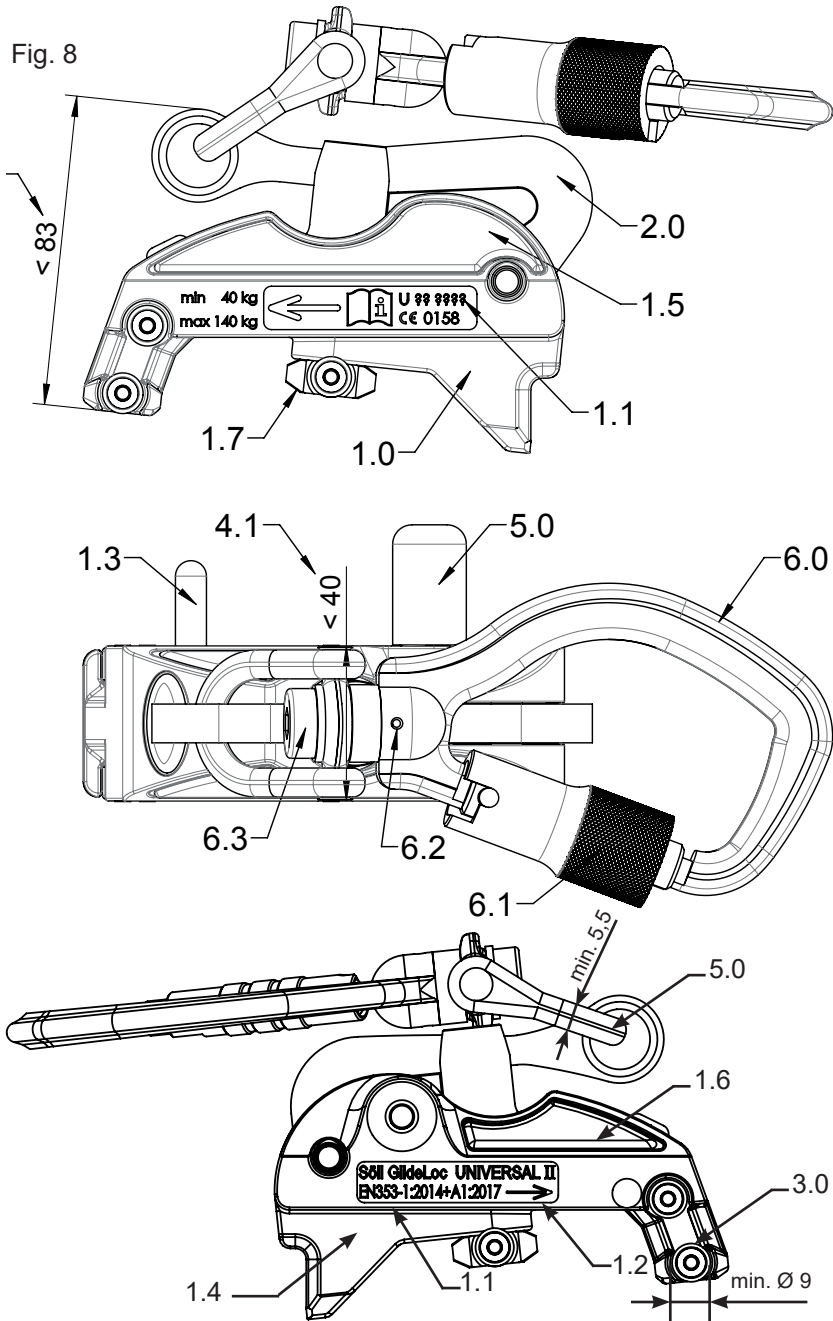
Locking pin (5.0)

- Free from rust, dirt, concrete, paint etc.
- Isn't damaged
- Moves freely
- Arrests automatically

Karabiner (6.0)

- Isn't bent or broken!
- Has no cracks or other damages
- Karabiner gate (6.1) isn't damaged
- Karabiner gate (6.1) can be opened easily
- Karabiner gate (6.1) must close and lock automatically
- Safety pin (6.2) is existing
- Screw (6.3) isn't damaged

Fig. 8



EN/ Notified body having carried out the EU test of type: /BG/ Нотифициран орган, който провежда ЕС изпитване на тип: /CS/ Oznameny organ, který provedl EU test typu: /DA/ Godkendt organisme, der har udført EU-typeafprøvningen: /DE/ Zugelassene Stelle, welche die EU-Typprüfung durchge führt hat: /EL/ Κοινοποιημένος οργανισμός ο οποίος διενήργησε τη δοκιμή τύπου ΕΕ: /ES/ Organismo notificado que ha realizado el examen UE de tipo: /ET/ Teavitatud asutus, mis tegi EL-tüübikats: /FI/ Ilmoitettu järjestö, joka on suorittanut EU-tyyppitarkastuksen: /FR/ Organisme notifié ayant réalisé l'examen UE de Type: /HR/ Nadležno tijelo, koje je izvršilo EU tipsko testiranje: /HU/ A típus EU teszjtét elvégző kijelölt szervezet: /IT/ Organismo notificato che ha effettuato il controllo UE del Tipo: /LT/ Informuota institucija, atlikusi ES tipo testą: /LV/ Pilnvarotā iestāde, kas veikusi tipa ES pārbaudi: /NL/ Erkend organisme dat het EU type-onderzoek uitvoerde: /NO/ Notifisert organ som har utført EU-typeundersøkelse: /PL/ Jednostka notyfikowana zrealizowała badanie UE typu: /PT/ Organismo notificado tendo realizado o exame de tipo UE / RO/ Organismul notificat care a efectuat testarea UE de tip: /RU/ Уполномоченный орган, выполняющий испытание ЕС типа: /SK/ Notifikovaný orgán, ktorý vykonal skúšku typu EÚ: /SV/ Officiellt provningsorgan som utfört EU-kontrollen av Typ: /TR/ AB tip testini yürütmüş olan onaylı kuruluş:

DEKRA Testing and Certification (0158)
Test laboratory for Component Safety
Dinnendahlstr. 9 - 44809 Bochum
GERMANY

EN/ Notified body involved in the monitoring of production (module C2): /BG/ Нотифициран орган, включен в мониторинга на производството (модул C2): /CS/ Oznameny organ zapojeny do sledovani výroby (modul C2): /DA/ Bemyndiget organ involveret i overvågning af produktion (modul C2): /DE/ Benannte Stelle, die an der Überwachung der Produktion beteiligt ist (Modul C2): /EL/ Κοινοποιημένος οργανισμός που συμμετέχει στην παρακολούθηση της παραγωγής (ενότητα C2) /ES/ Organismo notificado involucrado en el monitoreo de producción (módulo C2): /ET/ Tootmist jälgiv teavitatud asutus (moodul C2): /FI/ Ilmoitettu taho, joka mukana laitteen valmistuksen valvonnassa (moduuli C2): /FR/ Organisme notifié intervenant dans le suivi de production (module C2): /HR/ Nadležno tijelo uključeno u nadzor proizvodnje (modul C2): /HU/ A termelés felügyelését biztosító szerv (D modul): /IT/ Organismo notificato coinvolto nel monitoraggio della produzione (modulo C2) /LT/ Notifikuotoji įstaiga, atliekanti gamybos stebėjimą (D modulis): /LV/ Pilnvarotā iestāde, kas iesaistīta ražošanas pārraudzībā (modulis C2): /NL/ Erkend organisme dat betrokken is bij het toezicht op de productie (module C2): /NO/ Notifisert organ involvert i overvåkning av produksjon (modul C2): /PL/ Jednostka notyfikowana zaangażowana w monitorowanie produkcji (modul C2): /PT/ Organismo notificado incluído para a monitorização da produção (módulo C2): /RO/ Organismul notificat responsabil cu monitorizarea producției (modul C2): /RU/ Уполномоченный орган, занимающийся мониторингом производства (модуль C2): /SK/ Notifikovaný orgán zapojený do monitorovania výroby (modul C2): /SL/ Obveščeni organ, ki je vključen v nadzorovanje izdelovanja (modul C2): /SV/ Officiellt provningsorgan ansvarigt för produktionsövervakning av produktion (modul C2): /TR/ Üretim izleminde görev alan onaylı kuruluş (Modül C2)

DEKRA Testing and Certification (0158)
Test laboratory for Component Safety
Dinnendahlstr. 9 - 44809 Bochum
GERMANY

EN/ Honeywell Fall Protection hereby declares that this product is in compliance with the essential requirements and other relevant provisions of Regulation EU 2016/425 and all other EU directive requirements. The complete declaration of conformity can be found at: **/BG/** С настоящото Honeywell Fall Protection декларира, че този продукт съответства на основните изисквания и останалите съответни разпоредби на Регламент 2016/425 на ЕС и на всички останали изисквания на директивите на ЕС. Цялата декларация за съответствие е достъпна на: **/CS/** Honeywell Fall Protection tímto prohlašuje, že tento výrobek splňuje základní požadavky a další relevantní ustanovení Nařízení EU 2016/425 a všechny ostatní požadavky směrnic EU. Úplné prohlášení o shodě lze nalézt na: **/DA/** Honeywell Fall Protection erklærer hermed, at dette produkt stemmer overens med de væsentlige krav og andre relevante bestemmelser i Forordning EU 2016/425 og alle andre krav i EU-direktiver. Den fulde overensstemmelseserklæring kan findes på: **/DE/** Honeywell Fall Protection erklärt hiermit, dass dieses Produkt die wesentlichen Anforderungen und andere relevante Bestimmungen der Verordnung EU 2016/425 und weitere EU-Richtlinien erfüllt. Die volls-tändige Konformitätserklärung ist einsehbar unter **/EL/** Honeywell Fall Protection δηλώνει ότι το προϊόν αυτό συμμορφώνεται με τις βασικές απαιτήσεις και τις λοιπές σχετικές διατάξεις του ΚΑΝΟΝΙΣΜΟΣ ΕΕ 2016/425 και με όλες τις άλλες απαιτήσεις της Οδηγίας της ΕΕ. Η πλήρης δήλωση συμμορφωσης βρίσκεται στον ιστότοπο: **/ES/** Por la presente, Honeywell Fall Protection declara que este producto cumple con los requisitos esenciales y con otras cláusulas relevantes de la Reglamento EU 2016/425 y con todos los demás requisitos de directivas de la UE. La declaración de conformidad completa se puede encontrar en: **/ET/** Käesolevaga deklareerib Honeywell Fall Protection, et see toode vastab ELi määruse EL 2016/425 ja kõikide muude ELi direktiivide põhinõuetele ja muudele asjakohastele nõuetele. Täieliku vastavusdeklaratsiooni võite leida saidilt **/FI/** Honeywell Fall Protection vakuuttaa täten, että tämä tuote täyttää Asetus EU 2016/425 sekä muiden EU-direktiivien olennaiset vaatimukset. Täydellinen vaatimustenmukaisuusvakuutus on osoitteessa: **/FR/** Honeywell Fall Protection déclare que ce produit est conforme aux critères essentiels et autres dispositions du Règlement UE 2016/425 et des autres directives européennes applicables. L'attestation complète de conformité est disponible à l'adresse: **/HR/** Honeywell Fall Protection izjavlja da proizvod ispunjava zahtjeve i druge odgovarajuće odredbe Uredba EU 2016/425 i ostalih EU-Direktiva. Potpunu Izjavu o suglasnosti potražite na **/HU/** A Honeywell Fall Protection nyilatkozza, hogy a termék megfelel az érvényes követelményeknek és a 2016/425 sz. EU Rendelet előírásainak és a többi EU-s irányelvnek előírásainak. A teljes megfeleléségi nyilatkozatot megtekintheti a weboldalon.

<https://doc.honeywellsafety.com>

/IT/ Honeywell Fall Protection dichiara che il presente prodotto è conforme ai requisiti essenziali e ad altre disposizioni applicabili dal Regolamento UE 2016/425 e di tutte le altre direttive UE. La dichiarazione di conformità completa è disponibile all'indirizzo: **/LT/** Šiuo dokumentu „Honeywell Fall Protection“ pareiškia, kad šis produktas atitinka 2016/425 ES reglamentas ir kitų ES direktyvų atitikimus esminius reikalavimus ir kitas susijusias nuostatas. Visą atitikties deklaraciją galite rasti: adresu **/LV/** Uzņēmums Honeywell Fall Protection ar šo paziņo, ka šis produkts atbilst Regulas (ES) 2016/425 pamatprasībām un saistītajiem noteikumiem, kā arī visu citu ES direktīvu prasībām. Pilna atbilstības deklarācija ir pieejama vietnē: **/NL/** Honeywell Fall Protection verklaart hierbij dat dit product voldoet aan de essentiële vereisten en andere relevante bepalingen van Verordening EU 2016/425 en alle andere vereisten van de EU-Reglementeringen. De volledige conformiteitsverklaring kunt u vinden op: **/NO/** Honeywell Fall Protection erklærer herved at dette produktet er i samsvar med grunnleggende og andre relevante krav i henhold til forordning EU 2016/425 og alle andre krav i EU-direktiver. Den fullstendige overholdelseserklæringen finner du på: **/PL/** Firma Honeywell Fall Protection niniejszym deklaruje, że ten produkt jest zgodny z podstawowymi wymaganiami i zaleceniami określonymi w rozporządzeniu EU 2016/425 oraz innych dyrektywach UE. Pełna treść Deklaracji zgodności jest dostępna w witrynie: **/PT/** A Honeywell Fall Protection declara pelo presente que este produto está de acordo com os requisitos essenciais, bem como outras disposições relevantes, da Regulamento EU 2016/425 e todos os outros requisitos de diretivas da União Europeia. O texto completo da Declaração de Conformidade encontra-se em: **/RO/** Honeywell Fall Protection declară prin prezentul ca acest produs respectă cerințele esențiale și alte prevederi relevante ale Regulamentului UE 2016/425 și ale tuturor celorlalte cerințe ale directivei UE. Declarația completă de conformitate poate fi găsită la: **/RU/** Корпорация Honeywell Fall Protection настоящим заявляет, что данный продукт соответствует основным требованиям и другим соответствующим положениям регламента EU 2016/425 и прочим требованиям директивы ЕС. Полную декларацию соответствия можно найти здесь: **/SK/** Spoločnosť Honeywell Fall Protection týmto vyhlasuje, že tento výrobok je v súlade so základnými požiadavkami a ďalšími príslušnými ustanoveniami nariadenia EÚ 2016/425 a všetkými ostatnými požiadavkami smernice EÚ. Úplné vyhlásenie o zhode možno nájsť na adrese: **/SL/** Honeywell Fall Protection s tem izjavlja, da je ta izdelek skladen s ključnimi zahtevami in drugimi relevantnimi določili Uredbe EU 2016/425 in vsemi drugimi zahtevami direktive EU. Celotno izjavo o skladnosti lahko najdete na: **/SV/** Härmed förklarar Honeywell Fall Protection att denna produkt i alla väsentliga avseenden uppfyller de krav och föreskrifter som uppställts enligt Förordning EU 2016/425 och andra EG-direktiv. En komplett försäkran om överensstämmelse finns på: **/TR/** Honeywell Düşme Önleyici Tertibat işbu belgede bu ürünün AB Yönetmeliği 2016/425'in temel gerekliliklerine ve diğer ilgili hükümlerine ve diğer tüm AB yönetgesi gerekliliklerine uygun olduğunu beyan eder. Tam uygunluk beyanı adresinde mevcuttur.

Honeywell Fall Protection Deutschland
GmbH & Co. KG
Seligenweg 10
D-95028 Hof
Tel. +49 (0) 9281 83 02 0
Tel. +49 (0) 9281 36 26
www.honeywellsafety.com

SEN 56
12/2020

© 2020 Honeywell International Inc.