

Honeywell

CK65 Series Universal Accessories

User Guide

Disclaimer

Honeywell International Inc. (“HII”) reserves the right to make changes in specifications and other information contained in this document without prior notice, and the reader should in all cases consult HII to determine whether any such changes have been made. The information in this publication does not represent a commitment on the part of HII.

HII shall not be liable for technical or editorial errors or omissions contained herein; nor for incidental or consequential damages resulting from the furnishing, performance, or use of this material. HII disclaims all responsibility for the selection and use of software and/or hardware to achieve intended results.

This document contains proprietary information that is protected by copyright. All rights are reserved. No part of this document may be photocopied, reproduced, or translated into another language without the prior written consent of HII.

Copyright © 2021 Honeywell International Inc. All rights reserved.

Web Address: www.honeywellaidc.com

Trademarks

Other product names mentioned in this manual may be trademarks or registered trademarks of their respective companies and are the property of their respective owners.

Patents

For patent information, see www.hsmpats.com.

Customer Support

Technical Assistance

To search our knowledge base for a solution or to log in to the Technical Support portal and report a problem, go to www.honeywellaidc.com/working-with-us/contact-technical-support.

For our latest contact information, see www.honeywellaidc.com/locations.

Product Service and Repair

Honeywell International Inc. provides service for all of its products through service centers throughout the world. To obtain warranty or non-warranty service, return your product to Honeywell (postage paid) with a copy of the dated purchase record. To learn more, go to www.honeywellaidc.com and select **Service & Repair** at the bottom of the page.

Limited Warranty

For warranty information, go to www.honeywellaidc.com and click **Resources > Product Warranty**.

CHARGE BASE/NET BASE

Agency Model: CK65-CB, CK65-NB

Out of the Box

Make sure that your shipping box contains these items:

- CK65 Universal ChargeBase (CK65-CB-UVN) or NetBase (CK65-NB-UVN)
- Power supply
- Power cord (if purchased)
- Regulatory Sheet

If any of these items are missing or appear damaged, contact your Customer Account Representative. Keep the original packaging in the event that you need to return the ChargeBase or NetBase for service or if you want to store the charger while not in use.



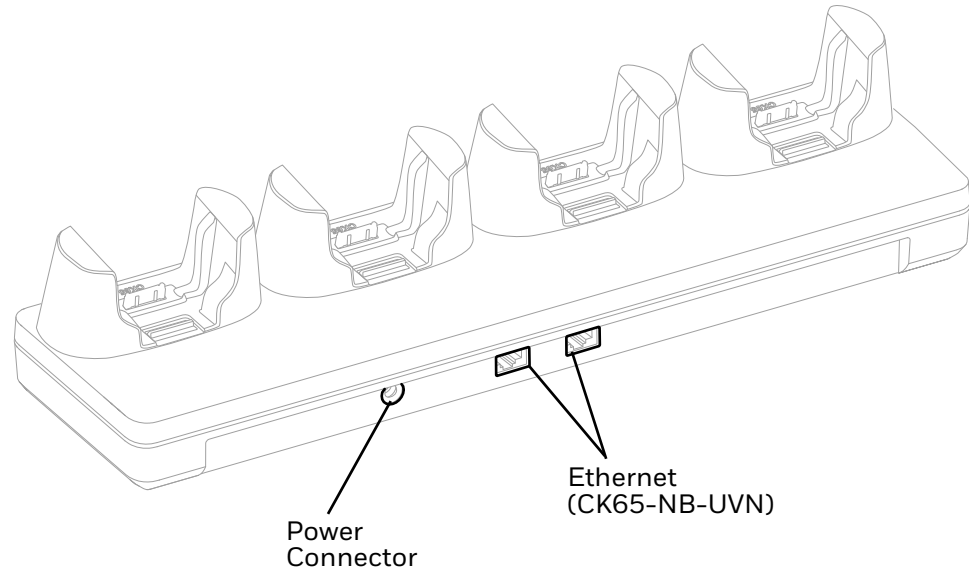
Caution: We recommend the use of Honeywell accessories and power adapters. Use of any non-Honeywell accessories or power adapters may cause damage not covered by the warranty.

Mise en garde: Il est recommandé d'utiliser les périphériques, les cordons d'alimentation et les adaptateurs secteur conçus par Honeywell. L'utilisation de tout périphérique, cordon d'alimentation ou adaptateur secteur d'une autre marque est susceptible de provoquer des dommages non couverts par la garantie.

Connect Power

Use only a UL Listed power supply which has been qualified by Honeywell with an output rated at 12V/7A. The power supply input rating is 100-240 VAC, 50/60 Hz. The operating temperature is -10 °C to 50 °C (14 °F to 122 °F).

1. Plug the power cord into the power supply.
2. Plug the power supply cable into the power connector on the back of the charger.
3. Plug the power cord into a standard wall outlet.



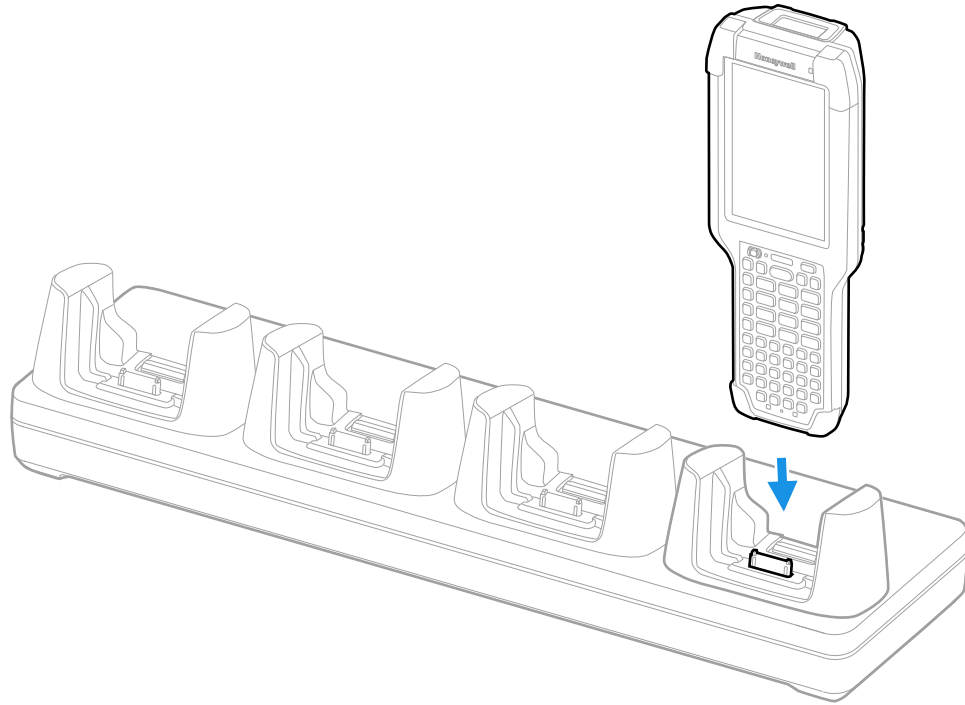
Charge the Battery Pack



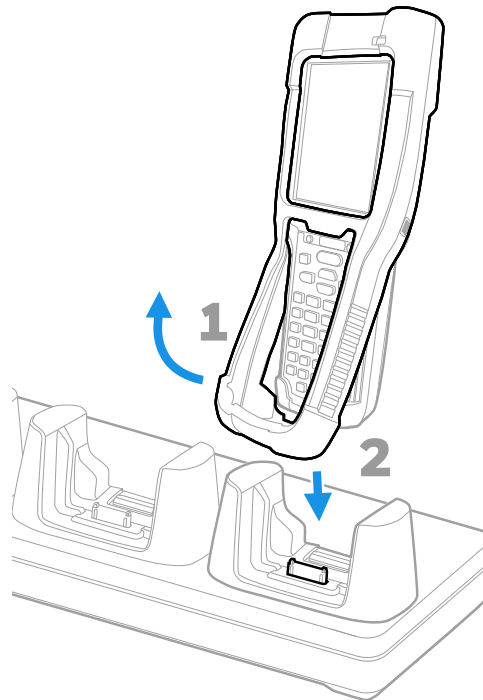
Caution: Make sure that all components are dry prior to using the computers and batteries with accessories. Using wet components may cause damage not covered by the warranty.

Mise en garde: Assurez-vous que tous les composants sont secs avant de connecter les terminaux/batteries à des périphériques. L'insertion de composants humides risque de provoquer des dommages non couverts par la garantie

- Insert one to four CK65s with battery pack inserted into the ChargeBase or NetBase.



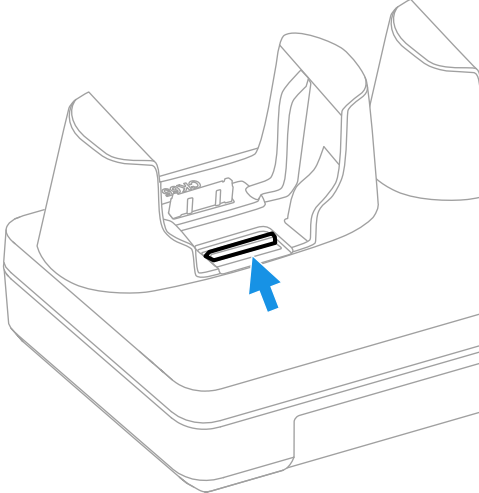
CK65 with Boot



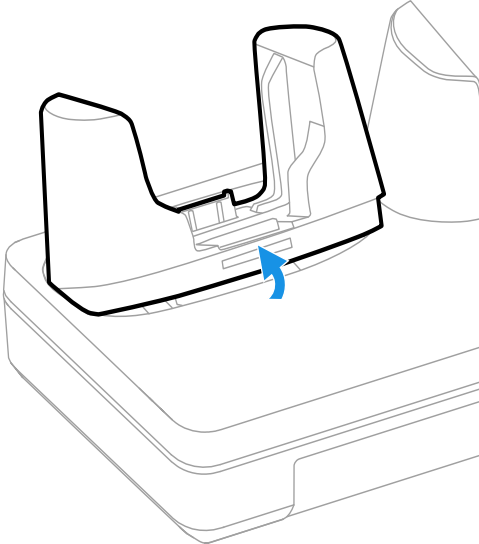
Remove the Cup

To release a cup from the base:

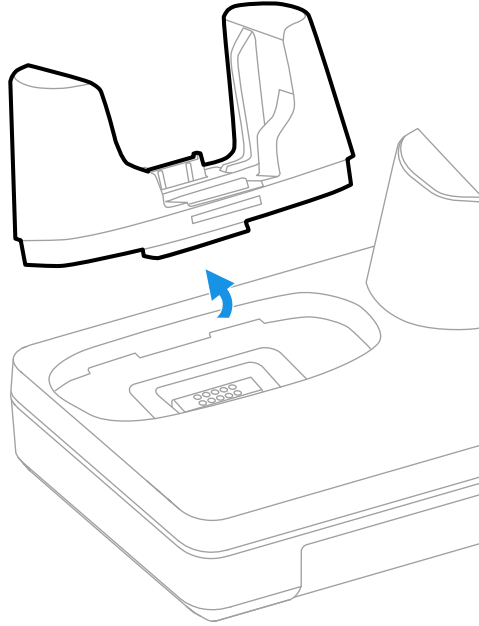
- 1. Push the latch towards the front of the base.



- 2. Tilt the back of the cup upwards.



3. Lift the cup out of the base.



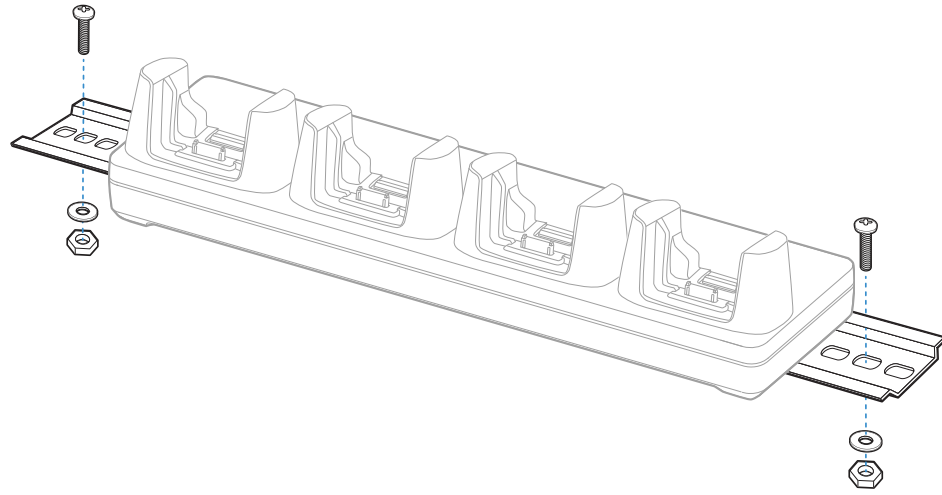
Mount the ChargeBase or NetBase

You can mount the charger on a flat, horizontal surface such as a desktop or workbench with an optional DIN rail.

Mounting hardware required:

- DIN rail
- 3/16-inch diameter x 5/8-inch long pan head screw
- 1/2-inch OD x 7/32-inch ID x 3/64-inch thick washer
- 3/16-inch diameter nut

1. Slide the DIN rail into the slot on the bottom of the ChargeBase or NetBase.
2. Secure the DIN rail to the flat surface with the hardware.



Honeywell
9680 Old Bailes Road
Fort Mill, SC 29707

www.honeywellaidc.com