

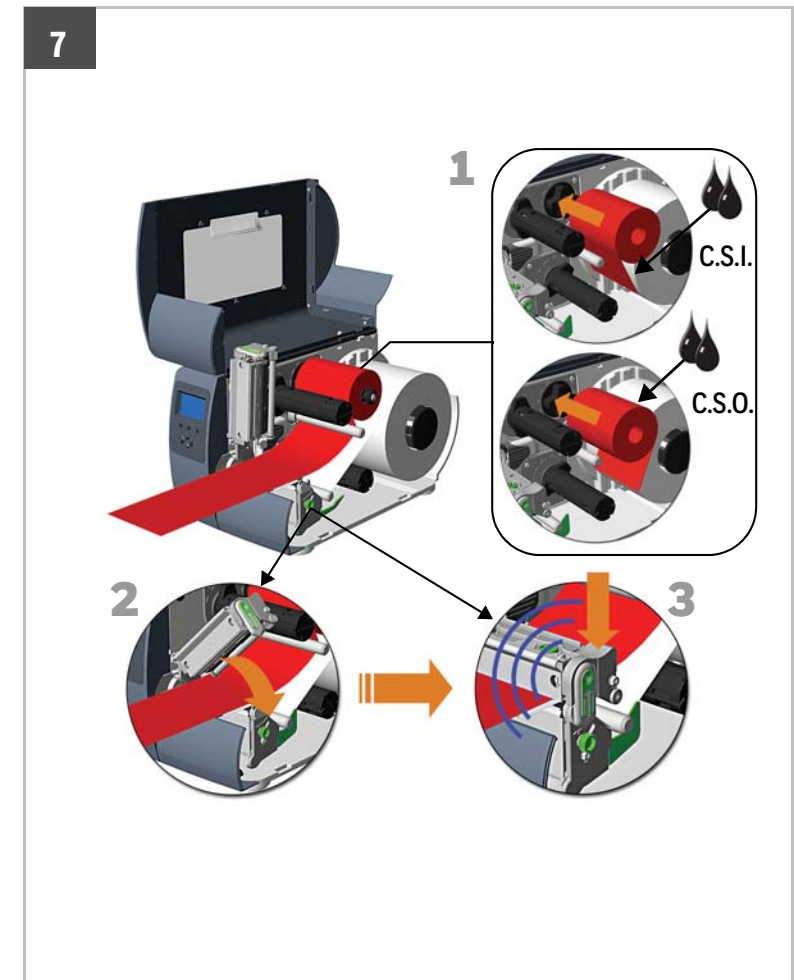
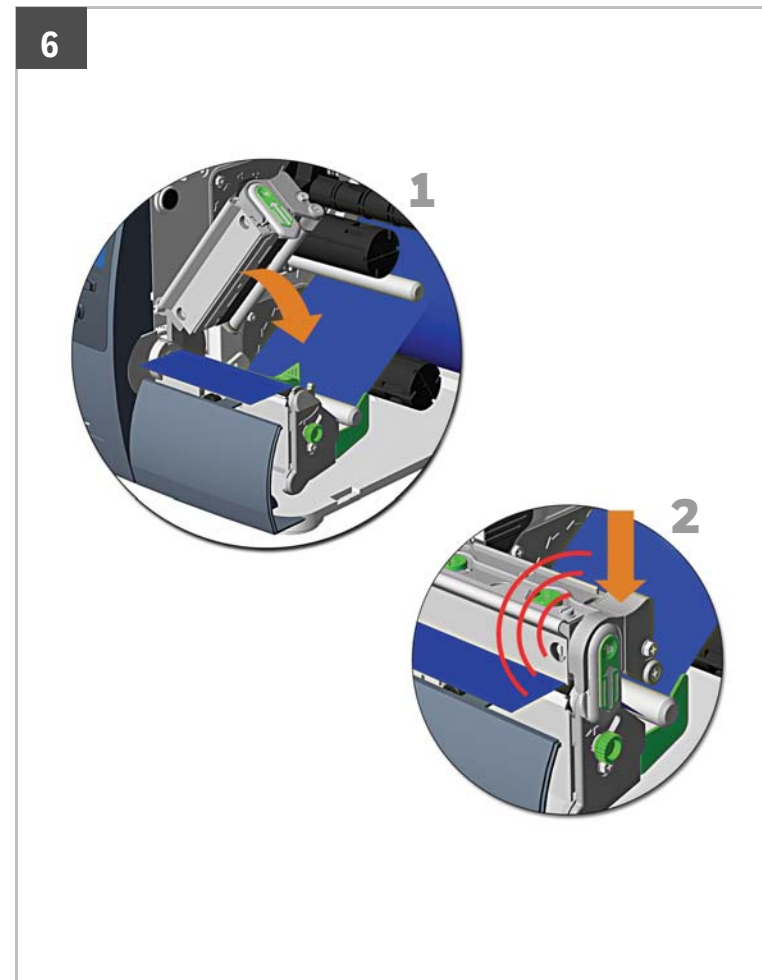
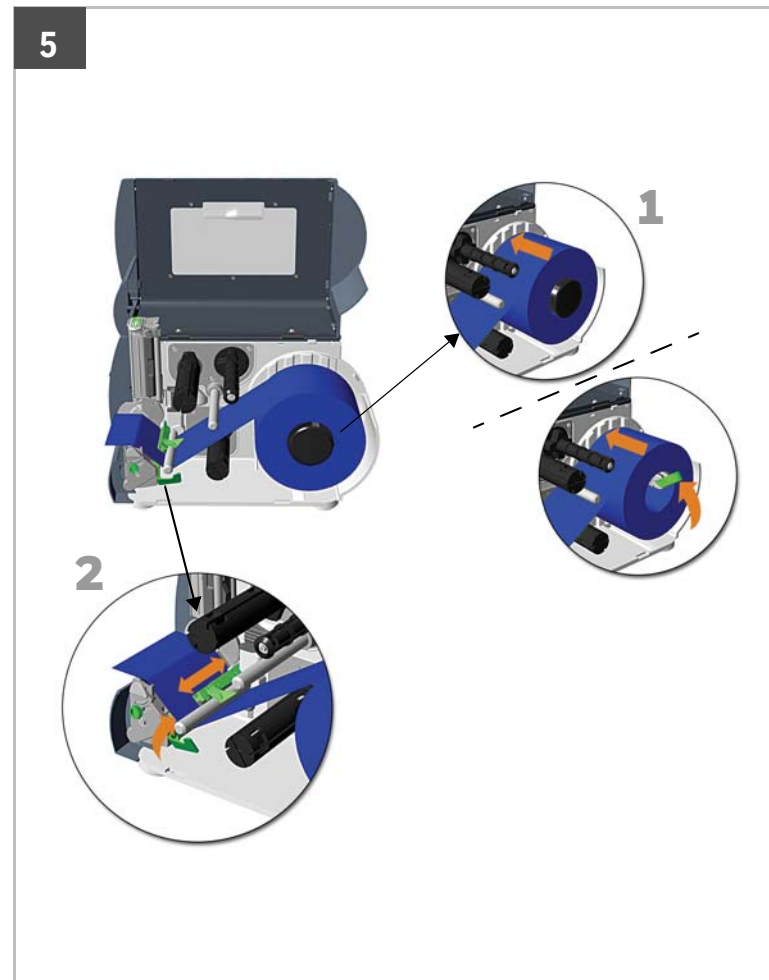
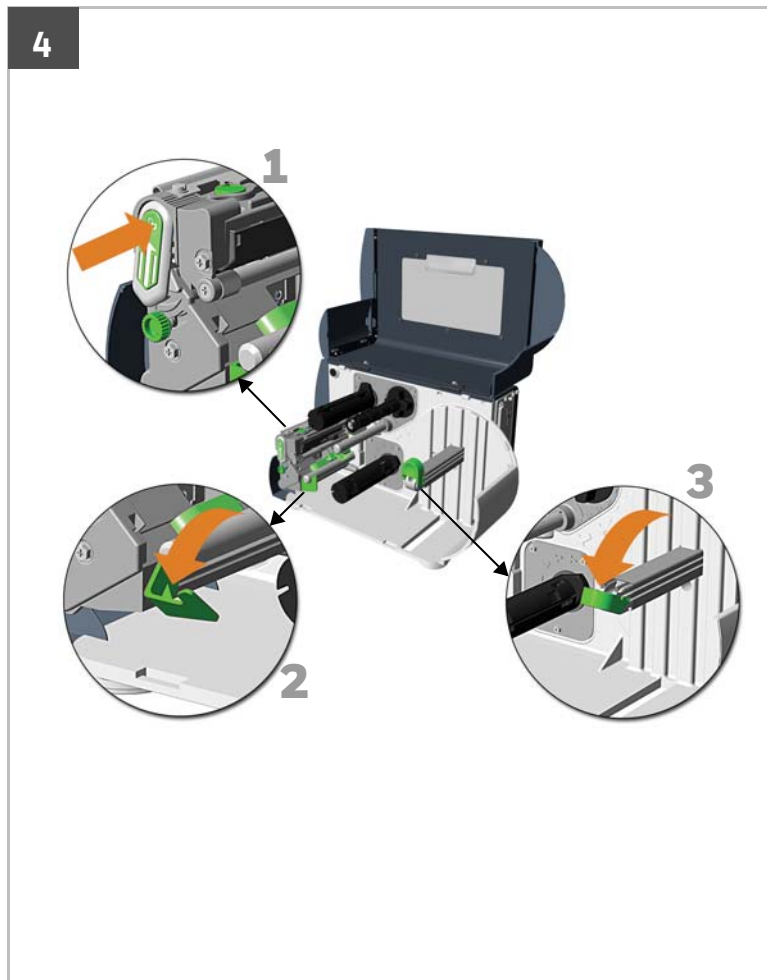
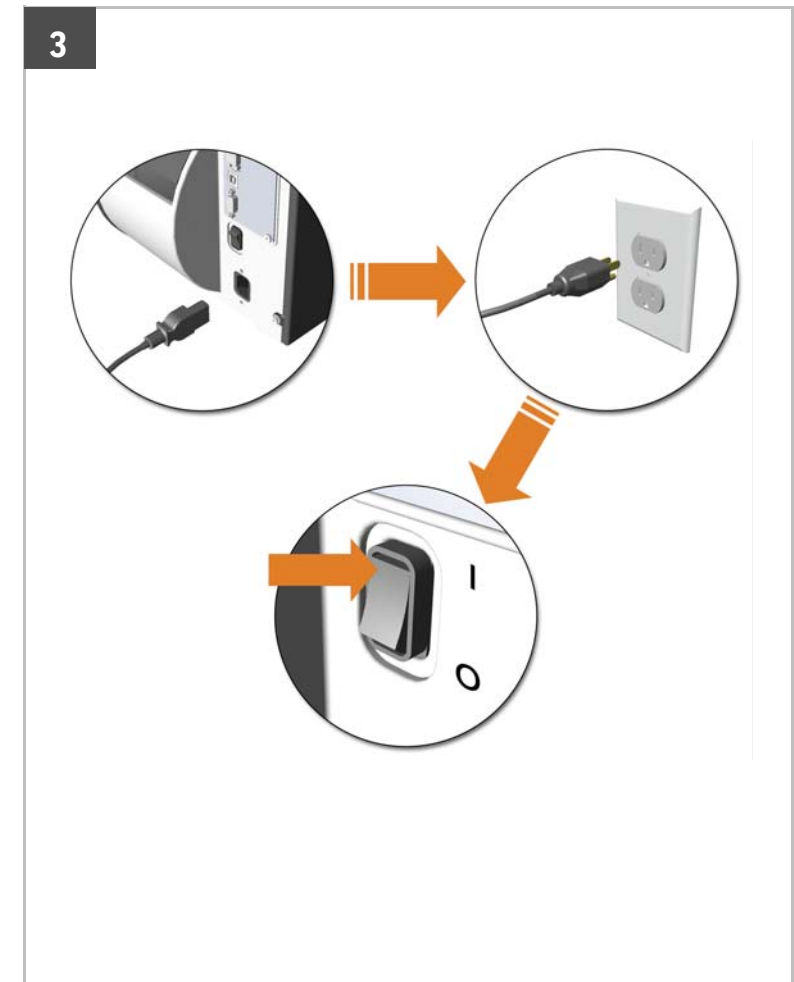
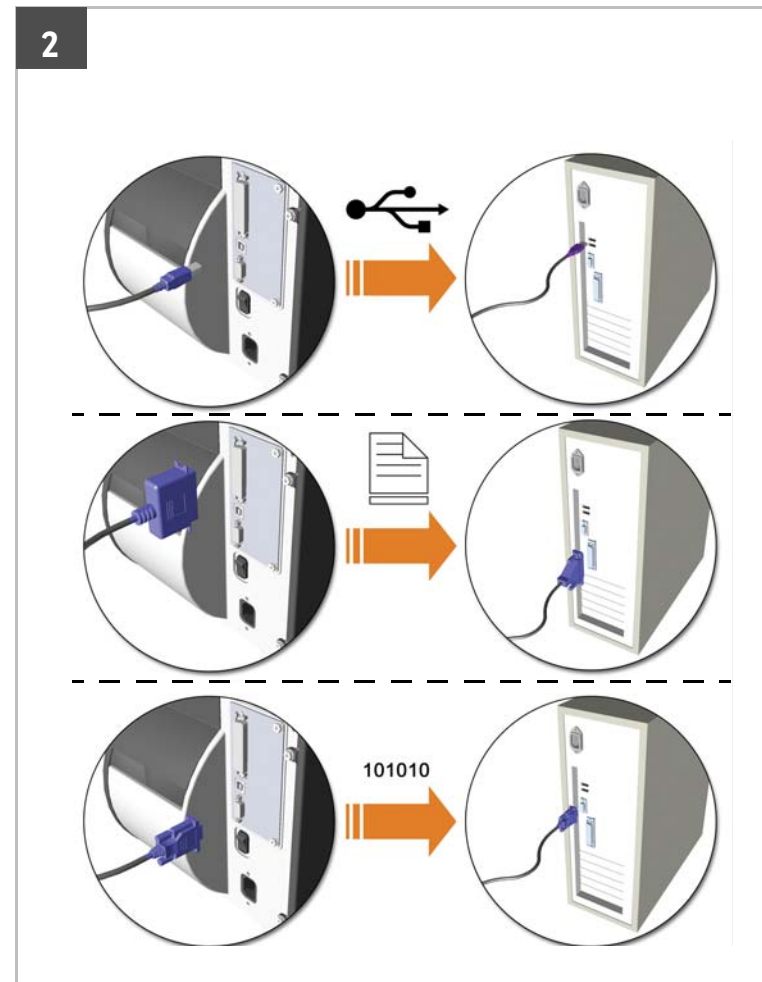
M-Class™ Mark II Printer

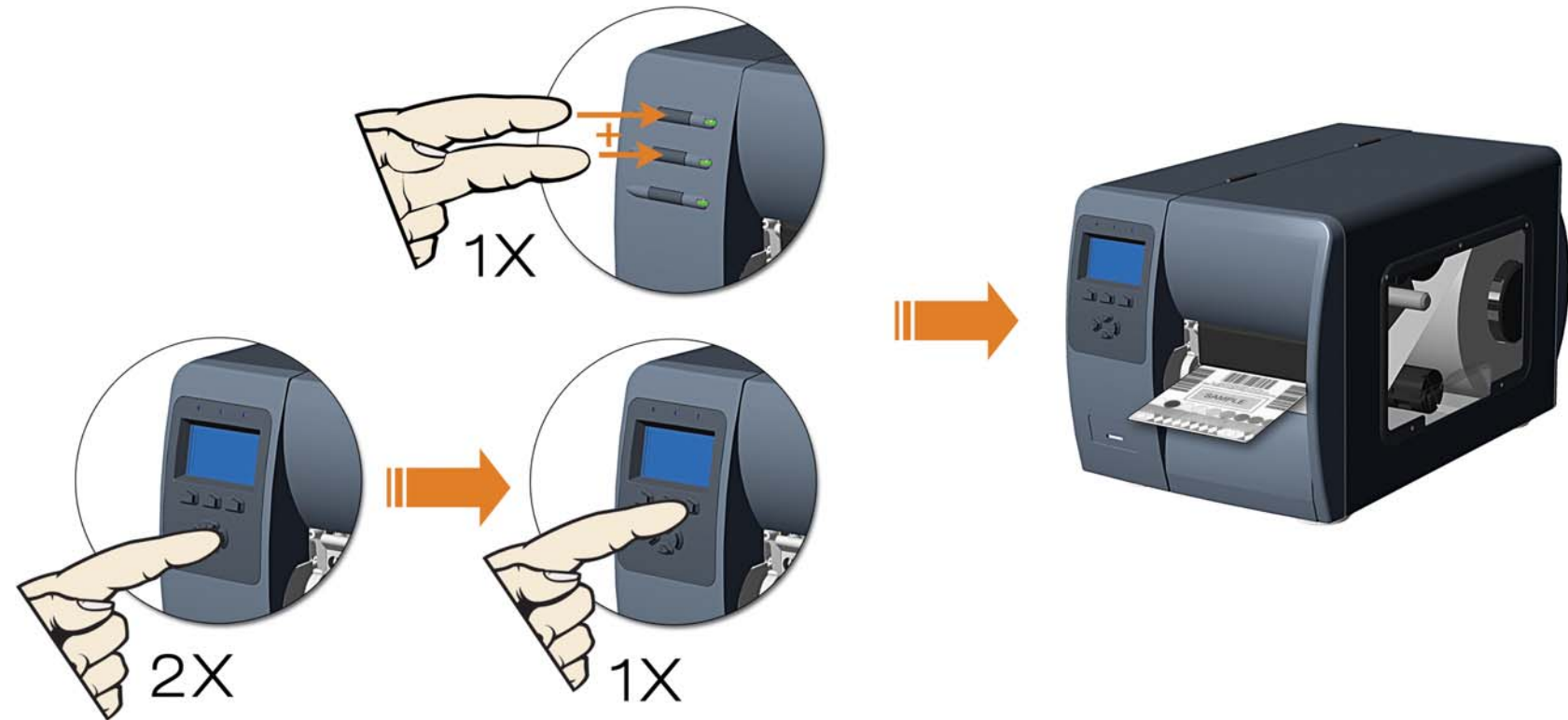
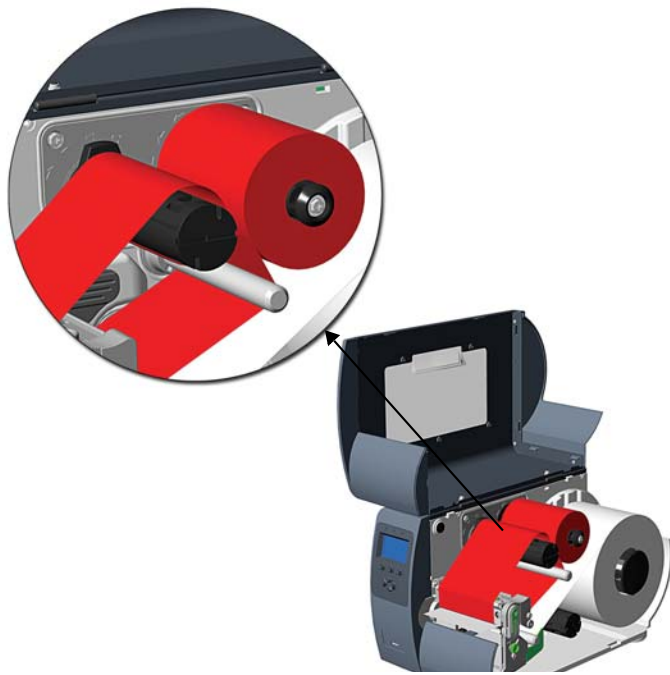
Quick Start Guide

Guia Rápida
Snelstartgids
Guide de Démarrage Rapide
Kurzanleitung
Guia de Inicio Rápido
Guida Rapida All'uso
Podreznik Szybkiej Instalacji
快速入门指南
快速開始指南



92-2482-01 Rev E
03/18





⚠ Be sure to follow and perform the suggested Cleaning Schedule listed in the Operator's Manual.

For more information on custom programming or any of the topics referred to in this guide, see the Operator's Manual and Programmer's Manual on the CD-ROM provided.

⚠ Siga e execute o Programa de Limpeza sugerido que se encontra no Manual do Operador.

Para mais informações sobre programação personalizada ou qualquer um dos tópicos mencionados neste guia, consulte o Manual do Operador e o Manual do Programador no CD-ROM fornecido.

⚠ Asegúrese de seguir y llevar a cabo el plan de limpieza recomendado descrito en el Manual del operador.

Para obtener más información sobre la programación personalizada o cualquiera de los temas expuestos en esta guía, consulte el Manual del operador y el manual del programador que se encuentran en el CD-ROM suministrado.

⚠ Befolgen Sie bitte genau den im Benutzerhandbuch empfohlenen Reinigungsplan.

Weitere Hinweise zu benutzerspezifischen Einstellungen oder in dieser Anleitung erwähnten Themen finden Sie im Benutzerhandbuch und im Programmierhandbuch auf der mitgelieferten CD-ROM.

⚠ Veuillez à effectuer les nettoyages selon l'échéancier prévu dans le Manuel de l'utilisateur.

Se reporter au Manuel de l'utilisateur et au Manuel du programmeur fournis sur le CD-ROM pour plus d'informations sur la programmation personnalisée ou tout autre sujet abordé dans le présent document.

⚠ Assicurarsi che vengano eseguite regolarmente le procedure di pulizia secondo i tempi indicati nel manuale dell'operatore.

Per ulteriori informazioni sulla programmazione personalizzata o su qualsiasi altro argomento contenuto in questa guida, consultare il manuale dell'operatore ed il manuale del programmatore sul CD-ROM in dotazione.

⚠ 請務必遵循並執行操作員手冊中列出的建議的清潔計畫。有關本指南中自訂程式設計或所引用的任何主題的更多資訊，請參閱操作手冊和程式師手冊上所提供的光碟。

型號: DMX-M-4206, DMX-M-4210, DMX-M-4308, M-Class MK II

Support

To search our knowledge base for a solution or to log into the Technical Support portal and report a problem, go to www.hsmcontactsupport.com.

User Documentation

For the user guide and other documentation, go to www.honeywellaidc.com.

Limited Warranty

For warranty information, go to www.honeywellaidc.com and click **Get Resources > Product Warranty**.

Patents

For patent information, see www.hsmpats.com.

Disclaimer

Honeywell International Inc. ("HII") reserves the right to make changes in specifications and other information contained in this document without prior notice, and the reader should in all cases consult HII to determine whether any such changes have been made. The information in this publication does not represent a commitment on the part of HII.

HII shall not be liable for technical or editorial errors or omissions contained herein; nor for incidental or consequential damages resulting from the furnishing, performance, or use of this material. HII disclaims all responsibility for the selection and use of software and/or hardware to achieve intended results.

This document contains proprietary information that is protected by copyright. All rights are reserved. No part of this document may be photocopied, reproduced, or translated into another language without the prior written consent of HII.

Copyright © 2018 Honeywell International Inc. All rights reserved.