



Thor™ VM3

Vehicle-Mount Computer

Quick Start Guide

Out of the Box

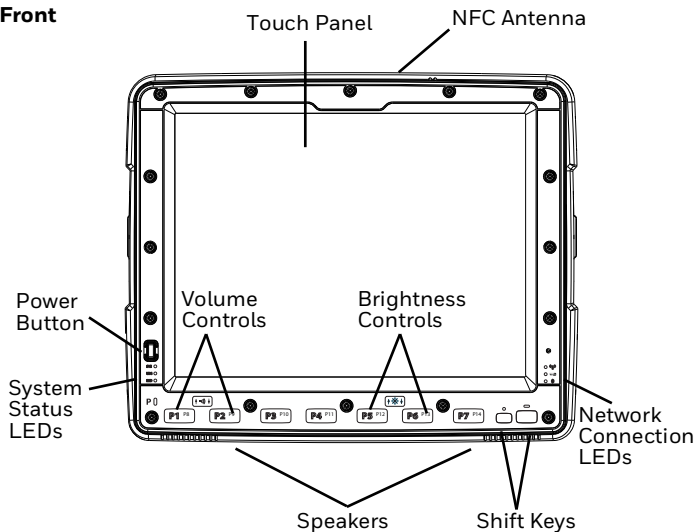
Make sure your shipping box contains these items:

- Thor VM3 vehicle-mounted computer (Model VM3WLAN, VM3WWANUS, VM3WWANEU)
- Regulatory Sheet

If you ordered additional accessories for your computer, verify that they are also included with the order. Be sure to keep the original packaging in case you need to return the computer for service.

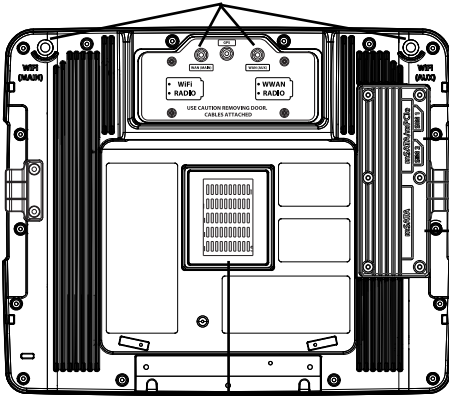
Computer Features

Front



Back

Wi-Fi/BT Antenna connections



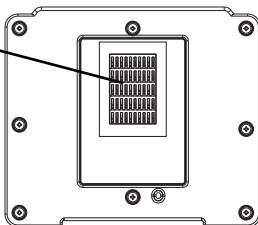
SD memory expansion access panel

Factory debug access panel

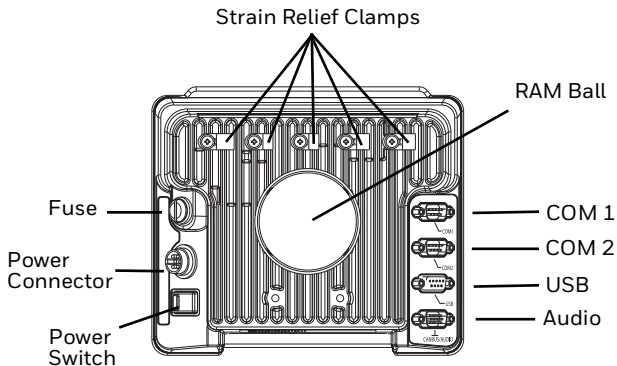
Dock Contact Pads

Dock Features

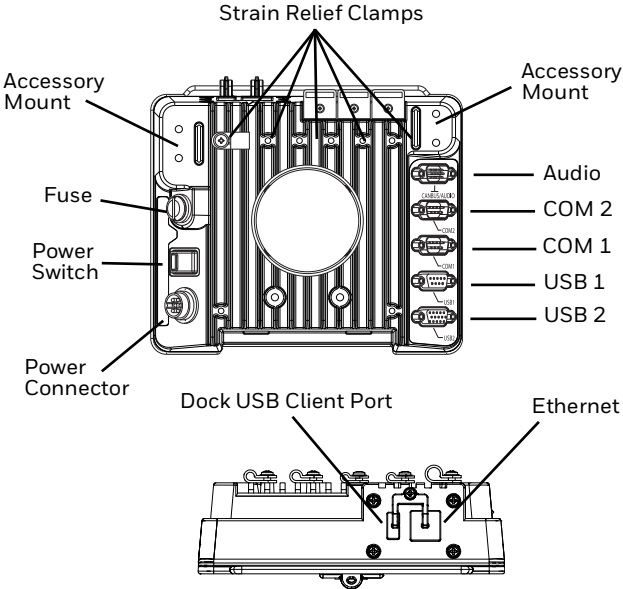
Dock Contact Pads



Standard Dock



Enhanced Dock



Mount to Vehicle

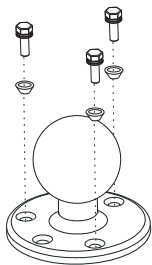
The Thor VM3 should be secured to an area in the vehicle where it:

- Does not obstruct the driver's vision or safe vehicle operation.
- Will be protected from rain or inclement weather.
- Will be protected from extremely high concentrations of dust or wind-blown debris.
- Can be easily accessed by a user seated in the driver's seat while the vehicle is not in operation.

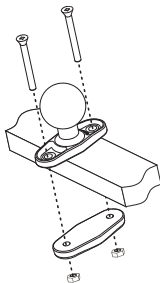
To mount the VM3 using a RAM mount system:

1. Attach RAM base to vehicle (RAM ball, RAM Clamp, RAM Plate, etc.).

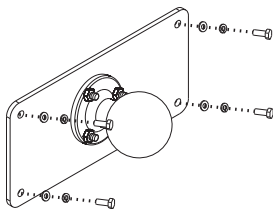
RAM Ball



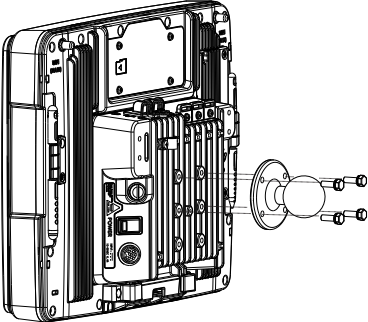
RAM Clamp



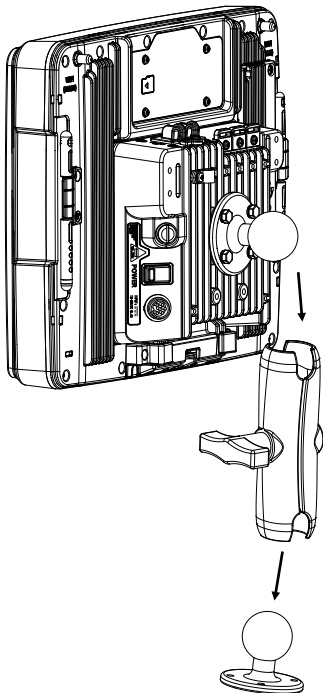
RAM Plate



2. Attach RAM ball to the Smart Dock.



3. Attach VM3 assembly to RAM base using RAM arm and tighten knob on RAM arm.



For more mounting details, refer to the user guide available at sps.honeywell.com.

Connecting the Power Cable for 12-48 VDC Vehicles (10-60 VDC Direct Connection)

Note: Refer to the Thor VM3 User Guide for other power connections, available at sps.honeywell.com.

Caution: For installation by trained service personnel only.



Warning: Fuse Requirements

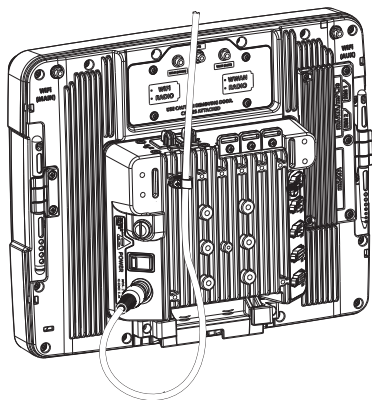


For proper and safe installation, the input power cable must be connected to a fused circuit on the vehicle. If the supply connection is made directly to the battery, the fuse should be installed in the positive lead within 5 inches of the battery's positive (+) terminal. The fused circuit requires a maximum time delay (slow blow) fuse with a current rating as noted below.

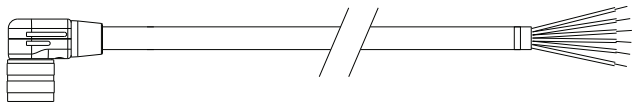
- For 12VDC input, use a 10A slow blow fuse that has a DC voltage rating greater than 12VDC.
- For 24VDC input, use a 6A slow blow fuse that has a DC voltage rating greater than 24VDC.
- For 36VDC input, use a 4A slow blow fuse that has a DC voltage rating greater than 36VDC.
- For 48VDC input, use a 3A slow blow fuse that has a DC voltage rating greater than 48VDC.

Note: For North America, a UL Listed fuse must be used.

Power Cable Routing



Power Cable Wiring Diagram with Right Angle and 6 Wires



Twist the red and red/white wires together and twist the black and black/white wires together before connecting to vehicle power.

Connect the green wire to vehicle ground:



Caution: For battery powered vehicles, the green wire must be connected to the vehicle chassis ground.



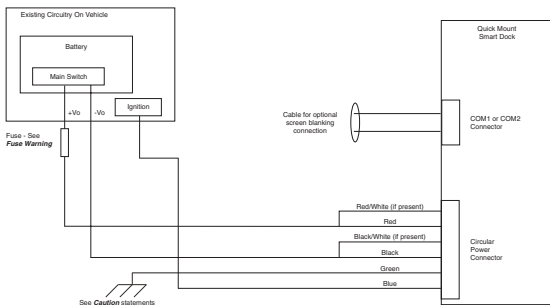
Caution: For internal combustion engine powered vehicles, the green wire is connected to the vehicle chassis ground, which can also be battery negative.

Wire Color	Connection
Red	DC + (10-60 VDC)
Red/White	DC + (10-60 VDC)
Black	DC -
Black/White	DC -
Green	Ground
Blue	Ignition Sense Input (optional) Refer to the Thor VM3 User Guide, available at sps.honeywell.com , for further information about ignition control.

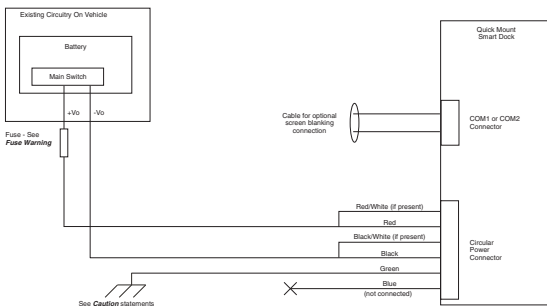
Vehicle 10-60 VDC Direct Power Connection

1. The VM3 must not be mounted in the dock. The power switch on the dock must be turned *Off*. The power cable must be UNPLUGGED from the dock.
2. Install the proper fuse based on the voltage source you will connect to. Connect to switched and fused power at terminal lug on a fuse or distribution box. Do not tap into existing wires. See [page 10](#) for more information.
3. Use proper electrical and mechanical fastening means for terminating the cable. Properly sized “crimp” type electrical terminals are an accepted method of termination. Select electrical connectors sized for use with 20AWG (0.81mm²) conductors.
4. Refer to the following wiring diagrams for wire colors and connections:
 - Ignition Control Wiring Diagram
If switched vehicle power is available, the ignition wire can

be connected. The VM3 will boot up when the vehicle ignition is turned on.



- Auto On Control and Manual Control Wiring Diagram
Ignition wire must be left disconnected.



Caution: For battery powered vehicles:
Red and red/white wire twisted together to battery positive.
Black and black/white wire twisted together to battery negative.
Green wire connected to vehicle chassis ground.





**Caution: For internal combustion engine powered vehicles:
Red and red/white wire twisted together to battery positive.
Black and black/white wire twisted together to battery negative.
Green wire connected to vehicle chassis ground, which can also be battery negative.**

5. Route the cable the shortest way possible removing any leftover cable, making sure the cable does not interfere with safe operation and maintenance of the vehicle. The cable is rated for a maximum temperature of 221°F (105°C). The cable should be protected from surfaces that exceed this temperature, from physical damage from moving parts, and from chemicals or oil that cause the insulation to deteriorate. Avoid sharp bends. The power cable is less flexible in low temperature environments.
6. Secure the cable to the vehicle structure at approximately one foot intervals, taking care not to over tighten, pinch conductors, or penetrate the insulation.
7. Connect the watertight connector end of the power cable to the dock power connector by aligning the connector pins to the power connector; push down on the watertight connector and twist it to fasten securely.
8. Secure the power cable to the VM3 using the strain relief cable clamps.
9. Place VM3 in the dock.
10. If using the Screen Blanking feature, install the screen blanking box or switch. (Refer to the Thor VM3 User Guide,

available at sps.honeywell.com for further information about the Screen Blanking box.)

11. Press the power switch on the back of the dock.
12. Press the power button on the front of the VM3.
13. Configure the Auto-ON behavior.

Setting up the Thor VM3 Software

Note: Have the following information available before setting up your Thor VM3:

- Network ID (SSID) of the Access Point
 - Wireless network authentication credentials
1. Connect the Thor VM3 to an external power source.
 2. Press the Power button.
 3. Attach a USB keyboard during the setup process.
 4. Accept the EULA.
 5. Calibrate the touch screen (resistive touch screen only, not applicable to PCAP touch screen).
 6. Set the date and time.
 7. Edit the radio parameters.
 8. Edit Enterprise Control Panel settings (i.e.: Bluetooth Scanning, Enterprise Settings, etc.).
 9. Edit the RFTerm or Enterprise TE Terminal Emulation parameters (optional).

10. Perform a reboot.

Bluetooth

Refer to the *Thor VM3 User Guide*, available at sps.honeywell.com, for information when using the Thor VM3 with Bluetooth.

Wireless Network Configuration

To configure the WLAN connection use the Honeywell Wireless Configuration Utility (WCU).

1. Tap Admin Login.
2. Enter the password. The default password is Honeywell.
3. Tap New to create a new profile.
4. Select Create an auto profile.
5. Enter a profile name and the SSID of the network.
6. Tap Next.
7. Tap Change connection settings.
8. Complete the Security tab by selecting security and encryption types.
9. Additional entries may be required based on security and encryption chosen.
10. Tap OK when completed.
11. Tap Connect to... to connect to the network.

For more details see the *Thor VM3 User Guide* available at sps.honeywell.com.

Connecting to Terminal Emulation

The Thor VM3 supports terminal emulators such as RFTerm® and Enterprise TE.

Before you make a host connection, you will, at a minimum, need to know:

- the alias name or IP address (Host Address) and
 - the port number (Telnet Port) of the host system to properly set up your host session.
1. Make sure the mobile client network settings are properly configured. If you are connecting via WLAN (802.11x), make sure your Thor VM3 is connected to the network.
 2. Launch the terminal emulation program.

For more details refer to the *RFTerm User Guide* or the *Enterprise TE User Guide*, available at sps.honeywell.com.

Rebooting the Thor VM3

To reboot the Thor VM3 with Windows Embedded Compact 7:

1. Select Start > Settings > Control Panel > Registry.
2. Tap the Restart button.

To reboot the Thor VM3 with all other Windows operating systems:

1. Select Start > Shutdown > Restart to reboot.

When the Thor VM3 is booting, there may be small delays while the wireless client connects, applications launch, remote management completes and Bluetooth devices connect.

Support

To search our knowledge base for a solution or to log into the Technical Support portal and report a problem, go to honeywell.com/PSSTechnicalsupport.

User Documentation

For the user guide and other documentation, go to sps.honeywell.com.

Limited Warranty

For warranty information, go to sps.honeywell.com and click **Support > Productivity > Warranties**.

Patents

For patent information, see www.hsmpats.com.

Disclaimer

Honeywell International Inc. (“HII”) reserves the right to make changes in specifications and other information contained in this document without prior notice, and the reader should in all cases consult HII to determine whether any such changes have been made. HII makes no representation or warranties regarding the information provided in this publication.

HII shall not be liable for technical or editorial errors or omissions contained herein; nor for incidental or consequential damages resulting from the furnishing, performance, or use of this material. HII disclaims all responsibility for the selection and use of software and/or hardware to achieve intended results.

This document contains proprietary information that is protected by copyright. All rights are reserved. No part of this document may be photocopied, reproduced, or translated into another language without the prior written consent of HII.

Copyright © 2024 Honeywell Group of Companies. All rights reserved.