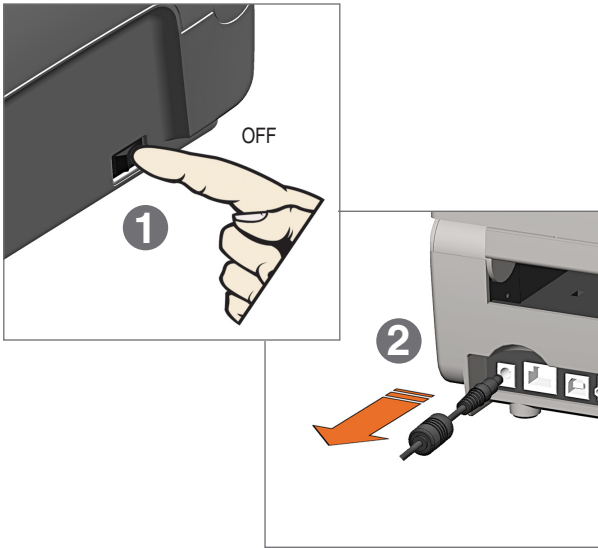


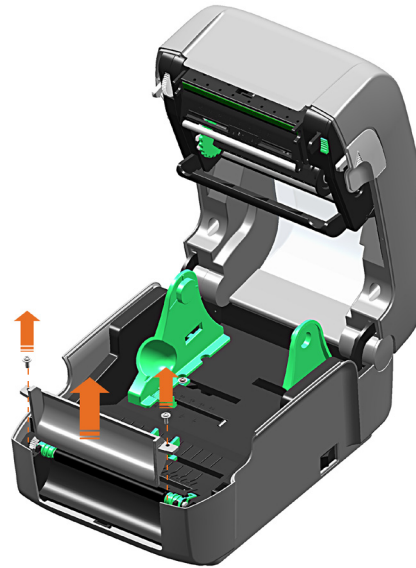
# E-Class™ Mark III

## Cutter Installation

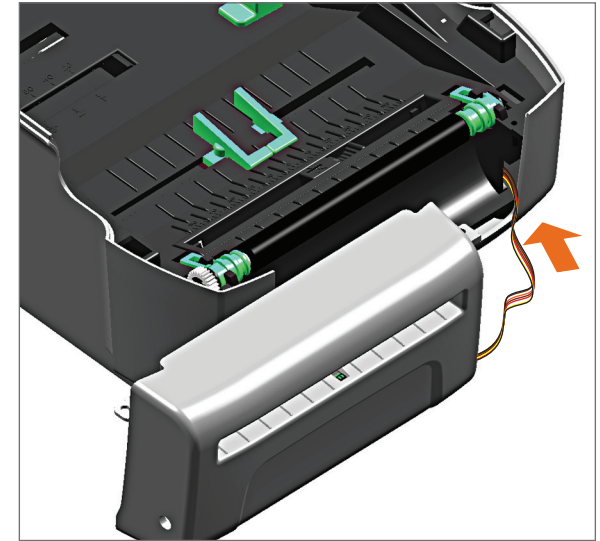
1



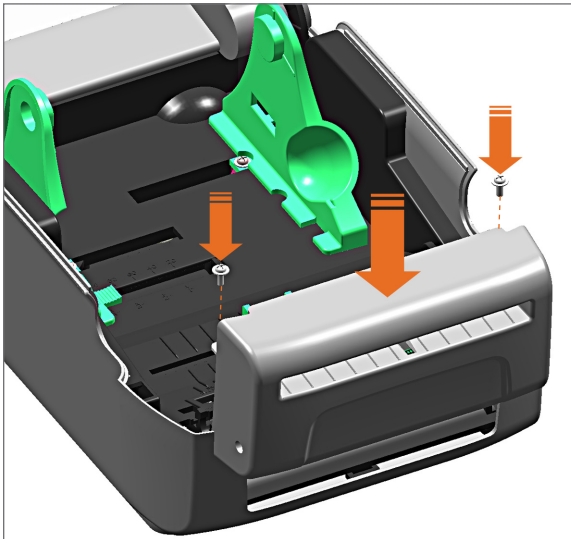
2



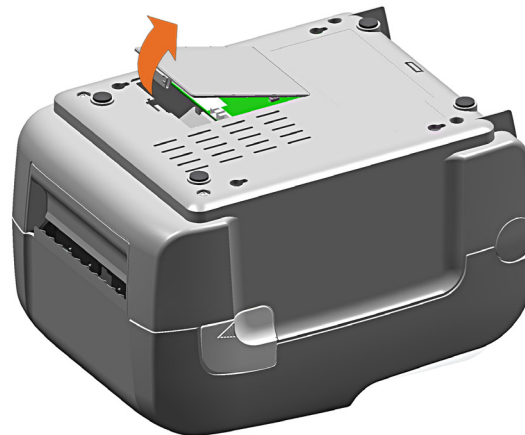
3



4



5



6

