

Honeywell

CT4x Series Accessories

Universal and Standard

User Guide

Disclaimer

Honeywell International Inc. (“HII”) reserves the right to make changes in specifications and other information contained in this document without prior notice, and the reader should in all cases consult HII to determine whether any such changes have been made. HII makes no representation or warranties regarding the information provided in this publication.

HII shall not be liable for technical or editorial errors or omissions contained herein; nor for incidental or consequential damages resulting from the furnishing, performance, or use of this material. HII disclaims all responsibility for the selection and use of software and/or hardware to achieve intended results.

This document contains proprietary information that is protected by copyright. All rights are reserved. No part of this document may be photocopied, reproduced, or translated into another language without the prior written consent of HII.

Copyright © 2024 Honeywell Group of Companies. All rights reserved.

Web Address: sps.honeywell.com

Trademarks

Other product names mentioned in this manual may be trademarks or registered trademarks of their respective companies and are the property of their respective owners.

Patents

For patent information, see www.hsmpats.com.

TABLE OF CONTENTS

Customer Support	v
Technical Assistance	v
Product Service and Repair	v
Limited Warranty	v
Chapter 1 - Introduction	1
List of Universal and Booted Accessories	2
Agency Models.....	4
Chapter 2 - Protective Boot.....	5
Out of the Box.....	5
Attach the Protective Boot.....	6
Remove Protective Boot.....	7
Chapter 3 - Scan Handle	9
Features	9
Out of the Box	10
Attach Scan Handle.....	10
CT45-SH-UVN	10
CT40-SH-PB, CT45-SH-UVB, and CT4X-SH-UVB	11
Scan a Bar Code.....	12
Remove Scan Handle.....	12
CT45-SH-UVN	12
CT40-SH-PB, CT45-SH-UVB, and CT4X-SH-UVB	13

Chapter 4 - Universal Dock Home Base and Ethernet Home Base..... 15

Features..... 15
Out of the Box..... 16
Connect Power..... 16
Charge the Battery Pack 17
Status LED..... 18
Mount the Home Base..... 18

Chapter 5 - Charge Base and Ethernet Base..... 19

Features..... 19
Out of the Box..... 20
Connect Power..... 20
Charge the Battery Pack 21
Mount the Charge Base or Net Base..... 22

Chapter 6 - Universal Dock 5-Bay Charge Base..... 23

Features..... 23
Out of the Box..... 24
Insert the Optional Battery Charger..... 25
Connect Power..... 26
Charge the Battery Pack 26
Status LED..... 27

Chapter 7 - Quad Battery Universal Charger..... 29

Features..... 29
Out of the Box..... 30
Insert the Battery Charger..... 31
Connect Power..... 32
Charge the Battery Pack 32
Status LED..... 32

Chapter 8 - Universal Dock Display Dock..... 33

Features..... 33

Out of the Box.....	34
Dock Connectors.....	34
Connect Power.....	34
Connect to Monitor.....	34
Connect to an Ethernet Network.....	34
Connect to an USB Device.....	35
Status LED.....	35
Check Software on Computer.....	35
Install DisplayLink Software.....	35
Download the APK.....	35
Install the Software.....	36
Insert Computer into the Dock.....	37
Configure the Display Dock Settings.....	37
Set Display Dock Settings.....	37
Set Monitor Settings.....	38
Set Peripheral Settings.....	38
Set Mode Settings.....	38
Connected Devices.....	39
Monitor Connections.....	39
USB Devices.....	39
Clean the Dock.....	39
Mount the Display Dock.....	40
Chapter 9 - Universal Dock Cups.....	41
Out of the Box.....	41
Replacing a Universal Cup.....	42
Chapter 10 - Snap-On USB Adapter.....	45
Features.....	45
Out of the Box.....	45
Connect Power.....	46
Charge the Battery Pack.....	46
Charge from a USB port on a Host Device.....	46

Charge with Optional Wall Charger (50130570-001) 47

Chapter 11 - Vehicle Docks 49

Features 49

Out of the Box 50

Connect Power 50

Charge the Battery Pack..... 51

Mount the Vehicle Dock..... 53

About the Phone 53

Remove Computer from Vehicle Dock..... 53

About Near Field Communication (NFC)..... 54

Chapter 12 - Vehicle Holder 55

Features..... 55

Out of the Box..... 56

Insert the Computer 56

Remove Computer from Vehicle Holder 58

Mount the Vehicle Holder..... 58

Customer Support

Technical Assistance

To search our knowledge base for a solution or log into the Technical Support Portal and report a problem, go to honeywell.com/PSTechnicalsupport.

Product Service and Repair

Honeywell International Inc. provides service for all of its products through service centers throughout the world. Go to sps.honeywell.com, and then select **Support** to find a service center near you or to get a Return Material Authorization number (RMA #) before returning a product.

Limited Warranty

For warranty information, go to sps.honeywell.com and select **Support > Productivity > Warranties**.

INTRODUCTION

Honeywell offers a full range of universal and boot-compatible accessories for the CT40, CT40 XP, CT45, CT45 XP, and CT47 mobile computers, including:

- Protective Boots ([page 5](#))
- Scan Handles ([page 9](#))
- Home Bases and Ethernet Bases for one device and one battery ([page 15](#))
- Charge and Ethernet Bases for up to four devices ([page 19](#))
- 5-Bay Charge Bases with an optional battery charger ([page 23](#))
- Quad Battery Universal Charger ([page 29](#))
- Display Docks ([page 33](#))
- Replacement Cups for Universal Bases ([page 41](#))
- Snap-on USB Adapters ([page 45](#))
- Vehicle Docks ([page 49](#))
- Vehicle Holders ([page 55](#))

Note: *Throughout this manual, all versions of the mobile device are referred to as the computer unless information is specific to a particular model.*



Caution: We recommend the use of Honeywell accessories and power adapters. Use of any non-Honeywell accessories or power adapters may cause damage not covered by the warranty.

Mise en garde : Il est recommandé d'utiliser les périphériques, les cordons d'alimentation et les adaptateurs secteur conçus par Honeywell. L'utilisation de tout périphérique, cordon d'alimentation ou adaptateur secteur d'une autre marque est susceptible de provoquer des dommages non couverts par la garantie.



Caution: Make sure that all components are dry prior to using the computers and batteries with accessories. Using wet components may cause damage not covered by the warranty.

Mise en garde : Assurez-vous que tous les composants sont secs avant de connecter les terminaux/batteries à des périphériques. L'insertion de composants humides risque de provoquer des dommages non couverts par la garantie.

List of Universal and Booted Accessories

Note: For information on CT40/CT45/CT47 RFID Bracket options for your Honeywell RFID reader, refer to the RFID reader user guide. Product documentation is available for download at sps.honeywell.com.

Accessory	Part Number	Use With
Protective Boot	CT40-PB-00	CT40
	CT40-PB-XP	CT40/CT40 XP
	CT45-PB-x	CT45/CT45 XP
	CT47-PB-x	CT47
Booted Scan Handle	CT40-SH-PB	CT40/CT40 XP with boot
Universal Scan Handle	CT45-SH-UVN	CT45/CT45 XP/CT47 without boot
	CT45-SH-UVB/ CT4X-SH-UVB	CT45/CT45 XP/CT47 with boot Note: The CT45-SH-UVB includes a CT45-PB-x boot for the CT45 and CT45XP. The CT4X-SH-UVB does not include a boot.
Universal Home Base	CT40-HB-UVN	CT40/CT40 XP/CT45/ CT45 XP/CT47 without boot
	CT40-HB-UVB	CT40/CT40 XP/CT45/ CT45 XP/CT47 with boot
Universal Ethernet Home Base	CT40-EB-UVN	CT40/CT40 XP/CT45/ CT45 XP/CT47 without boot
	CT40-EB-UVB	CT40/CT40 XP/CT45/ CT45 XP/CT47 with boot
Booted Standard Charge Base	CT40-CB-PB	CT40/CT40 XP/CT45/ CT45 XP/CT47 with boot
Universal Charge Base	CT40-CB-UVN	CT40/CT40 XP/CT45/ CT45 XP/CT47 without boot
	CT40-CB-UVB	CT40/CT40 XP/CT45/ CT45 XP/CT47 with boot

Accessory	Part Number	Use With
Universal 5-Bay Charger	CT45-5CB-UVN	CT40/CT40 XP/CT45/ CT45 XP/CT47 without boot
	CT45-5CB-UVB	CT40/CT40 XP/CT45/ CT45 XP/CT47 with boot
Quad Battery Universal Charger	CT4X-QBC-1BAY	CT50-BTSC/CT4X-BTSC battery pack
Booted Standard Ethernet (Net) Base	CT40-NB-PB	CT40/CT40 XP/CT45/ CT45 XP/CT47 with boot
Universal Ethernet (Net) Base	CT40-NB-UVN	CT40/CT40 XP/CT45/ CT45 XP/CT47 without boot
	CT40-NB-UVB	CT40/CT40 XP/CT45/ CT45 XP/CT47 with boot
Universal Display Dock	CT40-DB-UVN	CT40/CT40 XP/CT45/ CT45 XP/CT47 without boot
	CT40-DB-UVB	CT40/CT40 XP/CT45/ CT45 XP/CT47 with boot
Universal Cup	CT40-UCP-N	CT40/CT40 XP/CT45/ CT45 XP/CT47 without boot
	CT40-UCP-B	CT40/CT40 XP/CT45/ CT45 XP/CT47 with boot
Snap-on USB Adapter	CT40-SN-CNV	CT40/CT40 XP with or without boot
	CT45-SN-CNV	CT45/CT45 XP/CT47 with or without boot
Vehicle Dock	CT40-VD-CNV	CT40/CT40 XP with or without boot
	CT45-VD-CNV	CT45/CT45 XP with or without boot
	CT45-VD-CNV-SPK	CT45/CT45 XP with or without boot
	CT47-VD-CNV	CT47 with or without boot
Vehicle Holder	CT45-VH-SH	CT45/CT47 with or without boot, with or without scan handle
x = Kit variations. See product Accessory Guide for additional details.		

Note: The booted accessories in this manual do not accommodate rubber boot CT40-RB-00.

For a complete list of accessories for your mobile computer and their part numbers see the *Accessory Guide* for your device, available for download at sps.honeywell.com.

Contact your local sales representative for ordering information.

Agency Models

CT40-SH, CT40-HB, CT40-EB, CT40-CB, CT40-NB, CT40-DB, CT40-SN, CT40-VD,
CT45-VD, ME-5bay-CB

PROTECTIVE BOOT

Honeywell offers the following protective boots:

- CT40-PB-00 for use with a CT40
- CT40-PB-XP for use with a CT40 or CT40 XP
- CT45-PB-x for use with a CT45 or CT45 XP (x = kit variation)
- CT47-PB-x for use with a CT47 (x = kit variation)

The CT40-PB-00, CT40-PB-XP, and CT45-PB-x boots are available as stand-alone accessories or as part of a kit that includes a scan handle (e.g., CT40-SH-PB, CT45-SH-UVB).

The CT47-PB-x boot is available as a stand-alone accessory only.

Honeywell also offers a series of boot-compatible communication and charge accessories that do not require you to remove the protective boot from the device before use.

To learn more, see [List of Universal and Booted Accessories](#) on page 2.

Out of the Box

Make sure that your shipping box contains the following:

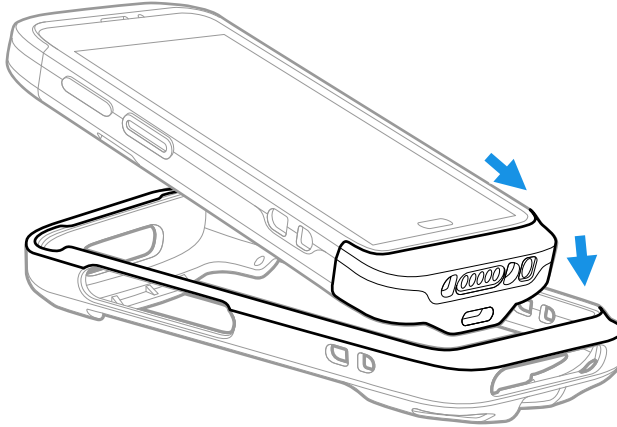
- Protective Boot (CT40-PB-00, CT40-PB-XP, CT45-PB-x, or CT47-PB-x)

If any items are missing or appear damaged, contact your Customer Account Representative. Keep the original packaging in the event that you need to return the boot for service or if you want to store the boot while not in use.

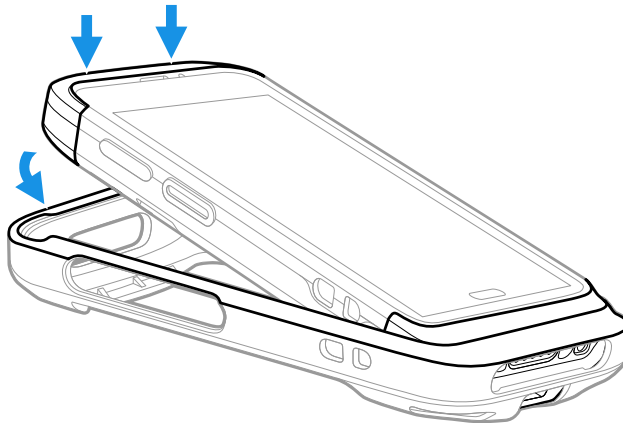
Attach the Protective Boot

Note: When used with a scan handle, the hand strap should be removed prior to installation.

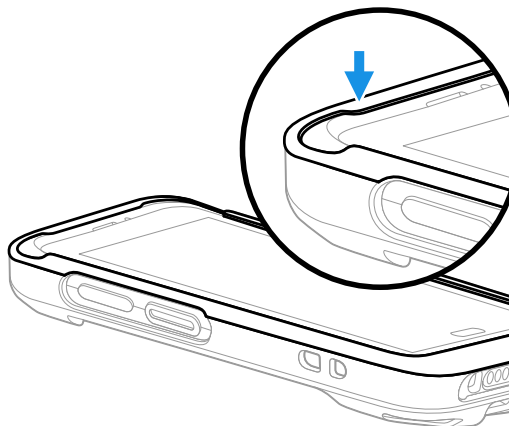
1. Insert the computer into the bottom of the boot.



2. Press down evenly.



3. Verify the boot lip overlaps the front of the device.

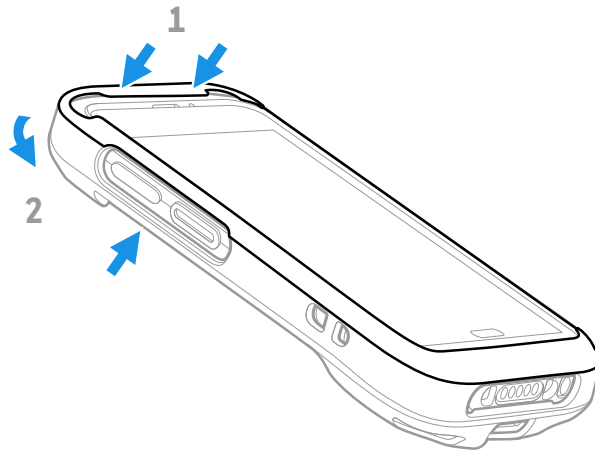


Remove Protective Boot

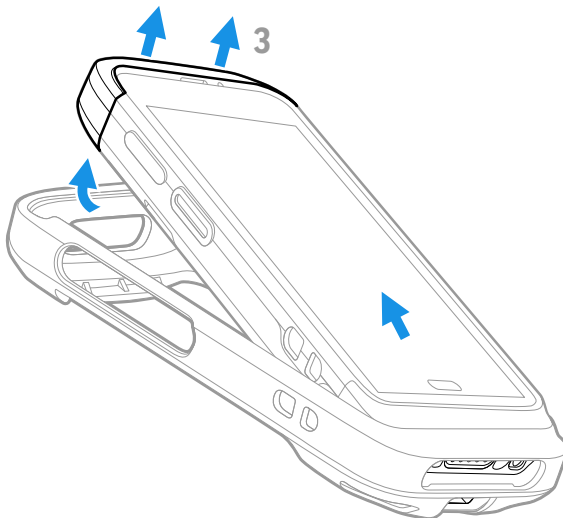
Note: The protective boot does not need to be removed for battery replacement or charging with a compatible base (see page 2).

Routinely inspect the protective boot for damage, and replace if needed. See page 2 to determine the appropriate replacement boot for your computer.

1. Hold the unit on both sides with the screen facing toward you. Use your thumbs to apply even pressure to the upper lip of the boot.
2. Apply gentle pressure to the back of the unit to release the top of the unit from the boot.



3. Lift the unit up and out of the bottom of the boot.



SCAN HANDLE

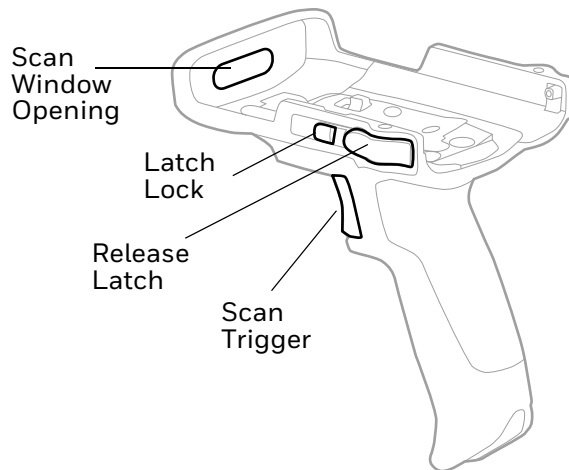
A scan handle attaches to the mobile computer to provide a handle grip and pull-trigger for barcode scanning. Honeywell offers the following universal and boot-compatible scan handles for the CT4X series:

- CT45-SH-UVN for use with a CT45, CT45 XP, or CT47 without a boot attached
- CT40-SH-PB for use with a booted CT40 or CT40 XP
- CT45-SH-UVB and CT4X-SH-UVB for use with a booted CT45, CT45 XP, or CT47

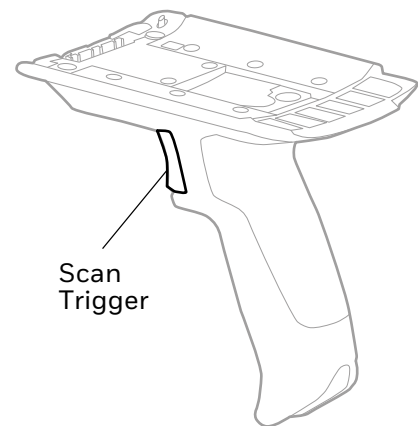
Note: The CT45-SH-UVB includes a CT45-PB-x boot for the CT45 and CT45XP. The CT4X-SH-UVB does not include a boot.

Features

CT45-SH-UVN

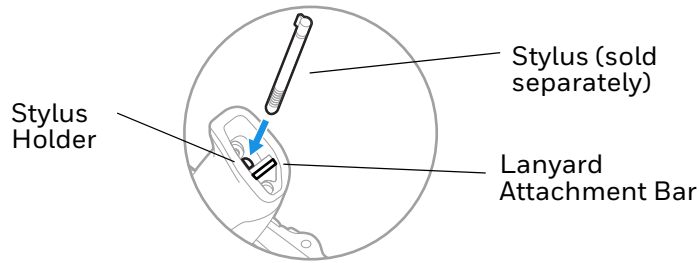


CT40-SH-PB/CT45-SH-UVB/CT4X-SH-UVB*



* Scan handle may differ slightly from illustration, depending on model.

CT45-SH-UVN/CT45-SH-UVB/CT4X-SH-UVB



Out of the Box

Make sure that your shipping box contains the following:

- Scan Handle (CT40-SH-PB, CT45-SH-UVN, CT45-SH-UVB, or CT4X-SH-UVB)

If any items are missing or appear damaged, contact your Customer Account Representative. Keep the original packaging in the event that you need to return the scan handle for service or if you want to store the scan handle while not in use.

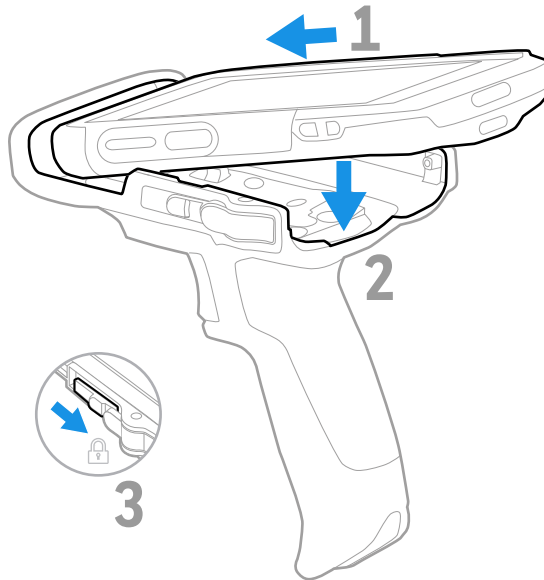
Attach Scan Handle

CT45-SH-UVN

The CT45-SH-UVN is compatible with a CT45, CT45 XP, or CT47 without a protective boot attached:

1. Insert the top of the computer into the handle at a slight angle.
2. Push the unit down until the latch engages.

3. Slide the latch lock to the right.

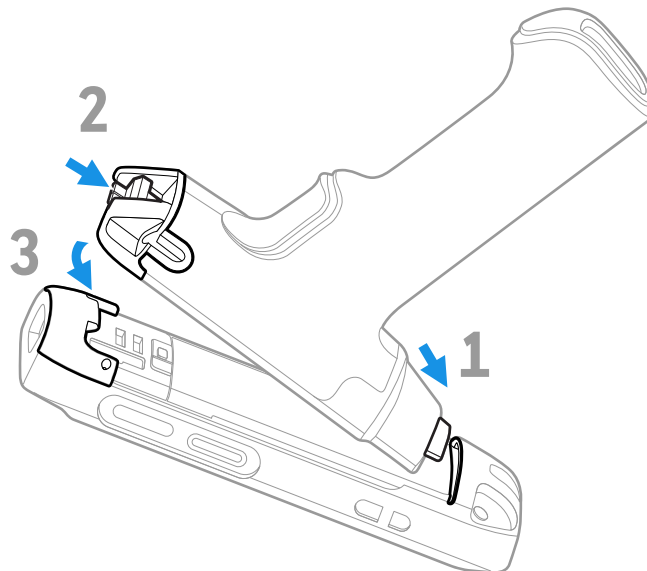


CT40-SH-PB, CT45-SH-UVB, and CT4X-SH-UVB

For computers with a protective boot attached:

1. Insert the handle tab into the unit/boot assembly.
2. Press and hold the latch.
3. Lower the handle down and release the latch.

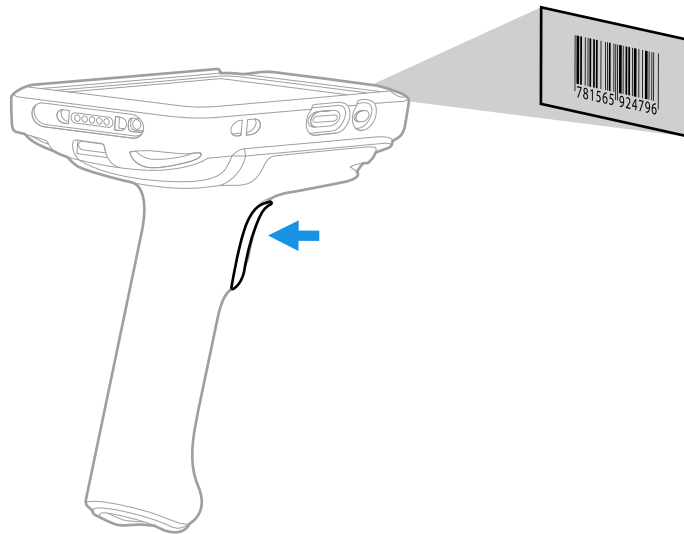
Note: Remove hand strap before assembly.



Note: Scan handle may differ slightly from illustration depending on model.

Scan a Bar Code

Press the trigger on the handle to scan a bar code.



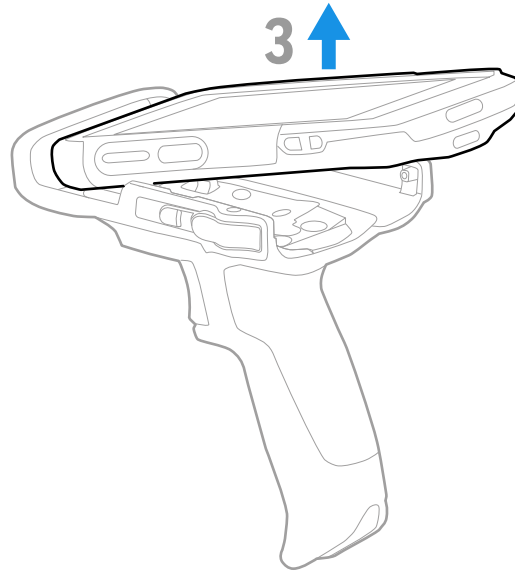
Remove Scan Handle

CT45-SH-UVN

1. Slide the latch lock to the left.
2. Press the release latch button on both sides.

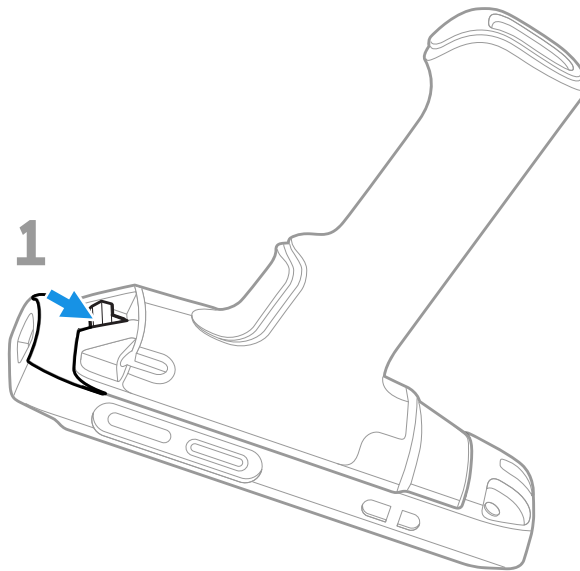


3. Lift the unit out.



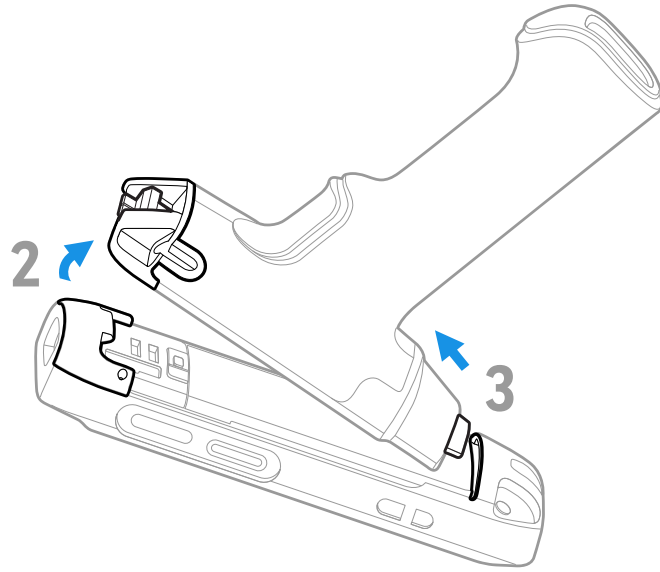
CT40-SH-PB, CT45-SH-UVB, and CT4X-SH-UVB

1. Press and hold the button.



2. Lift handle end and release button.

3. Slide handle tab out of unit/boot assembly.



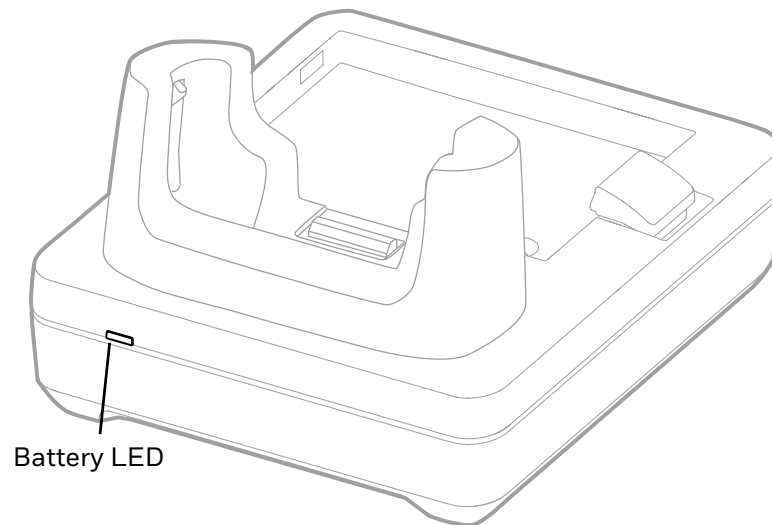
UNIVERSAL DOCK HOME BASE AND ETHERNET HOME BASE

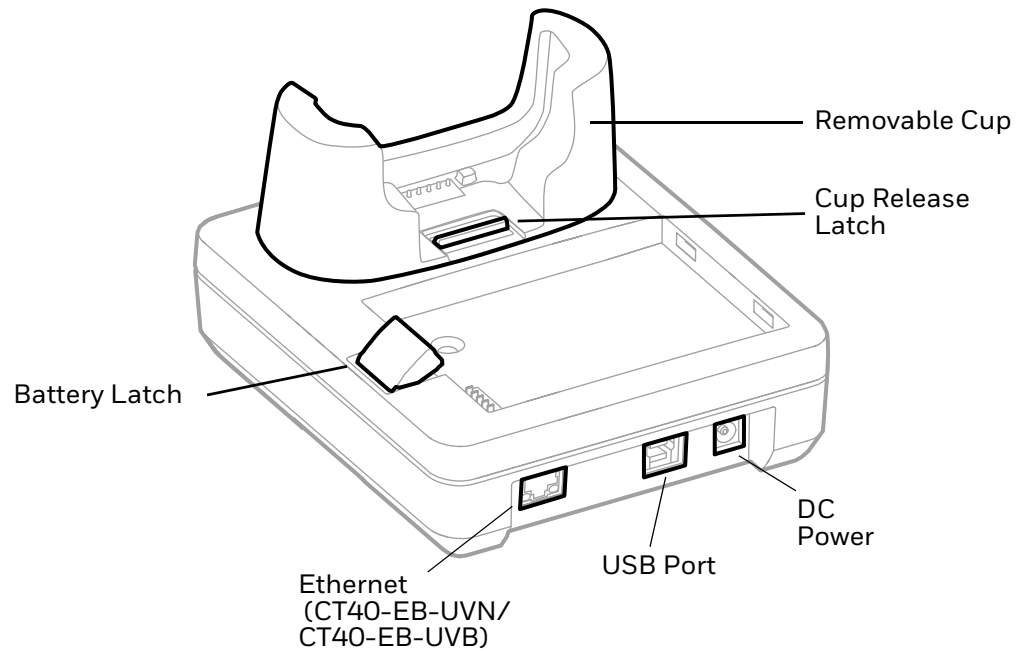
A Home Base is a charge/communication base for one mobile computer and one spare battery. The Home Base has one USB client connector.

An Ethernet Home Base is also a charge/communication base for one mobile computer and one spare battery. However, the Ethernet Base also has an Ethernet connector as well as a USB client connector (Type B).

The CT40-HB-UVB Universal Dock Home Base and CT40-EB-UVB Universal Dock Ethernet Base are boot-compatible. The CT40-HB-UVN Universal Home Base and CT40-EB-UVN Universal Ethernet Base must be used with a computer without a boot attached. Universal bases have removable cups that can be replaced. (See [Universal Dock Cups](#) on page 41.)

Features





Out of the Box

Make sure that your shipping box contains these items:

- Home Base (CT40-HB-UVN/CT40-HB-UVB) or Ethernet Home Base (CT40-EB-UVN/CT40-EB-UVB)
- Power supply
- Power cord (if purchased)
- Product documentation

If any of these items are missing or appear damaged, contact your Customer Account Representative. Keep the original packaging in the event that you need to return the base for service or if you want to store the base while not in use.

Connect Power

Use only a UL Listed power supply that has been qualified by Honeywell with an output rated at 12VDC and 3A. The power supply input rating is 90-264 VAC, 50/60 Hz. The operating temperature is -10 °C to 50 °C (14 °F to 122 °F). The maximum output of the base is 5VDC/2A.

1. Plug the power cord into the power supply.
2. Plug the power supply cable into the power connector on the back of the base.

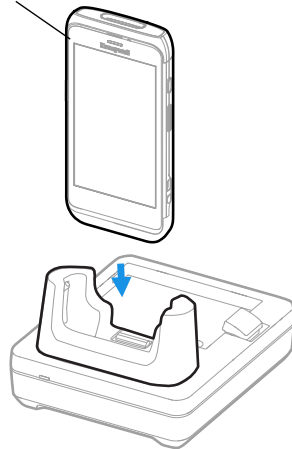
3. Plug the power cord into a standard wall outlet.

Charge the Battery Pack

Insert the computer into Home Base (CT40-HB-UVN, CT40-HB-UVB) or Ethernet Home Base (CT40-EB-UVN, CT40-EB-UVB). The unit will not charge unless a battery is installed.

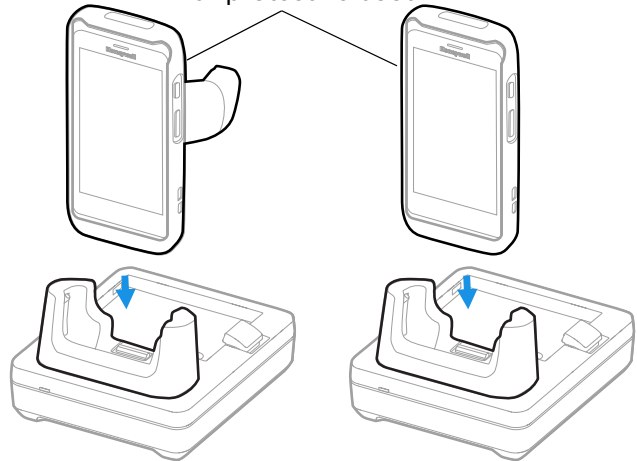
CT40-HB-UVN/CT40-EB-UVN

Mobile computer
without protective boot

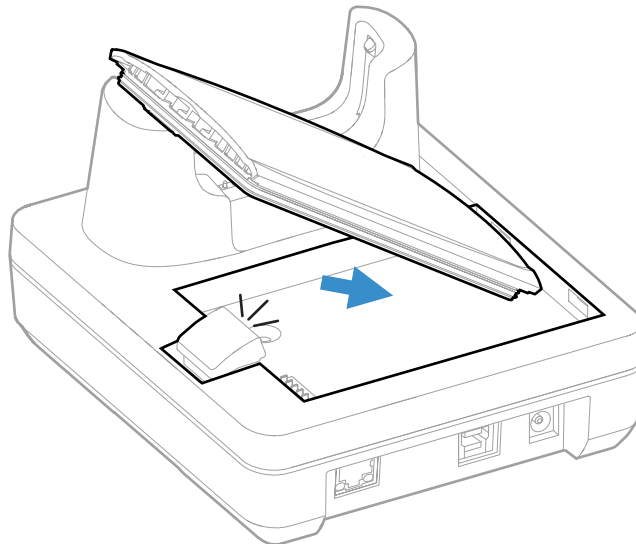


CT40-HB-UVB/CT40-EB-UVB

Mobile computer
with protective boot



You can also insert a battery pack into the Home Base for charging.



Status LED

LED	Status	Description
Battery	Solid Green	The battery is connected to external power and is fully charged.
	Solid Amber	The battery is connected to external power and is charging.
	Solid Red	There is a battery charging fault, such as over-temperature.

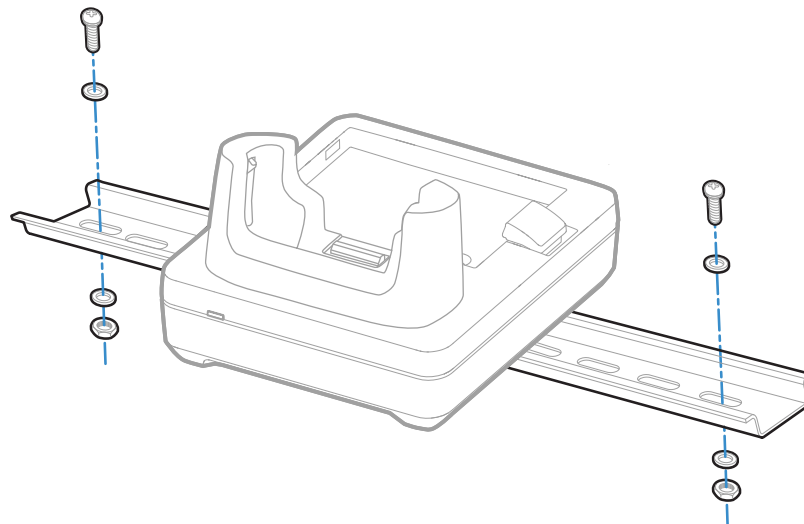
Mount the Home Base

You can mount the Home Base on a flat, horizontal surface such as a desktop or workbench with an optional DIN rail.

Mounting hardware required:

- DIN rail
- 3/16-inch diameter x 5/8-inch long pan head screw
- 1/2-inch OD x 7/32-inch ID x 3/64-inch thick washer
- 3/16-inch diameter nut

1. Slide the DIN rail into the slot on the bottom of the Home Base.
2. Secure the DIN rail to the flat surface with the hardware.



CHARGE BASE AND ETHERNET BASE

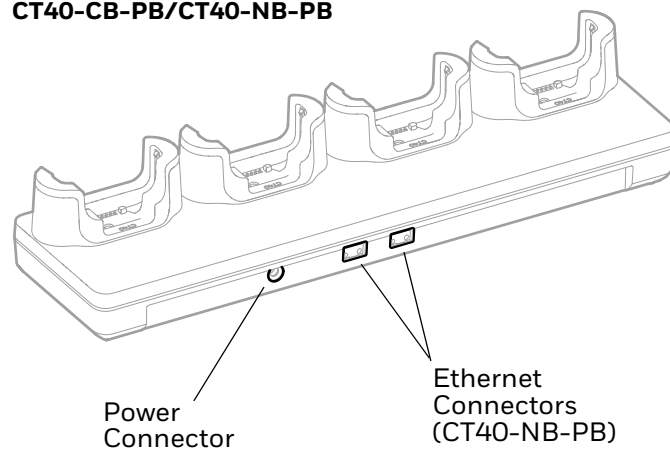
Universal Dock Charge Bases CT40-CB-PB, CT40-CB-UVN, and CT40-CB-UVB charge up to four mobile computers. Models CT40-CB-PB and CT40-CB-UVB are boot compatible.

Ethernet (Net) Bases CT40-NB-PB, CT40-NB-UVN, and CT40-NB-UVB hold four mobile computers and function as both charge and communication bases, with two RJ45 Ethernet ports. Models CT40-NB-PB and CT40-NB-UVB are boot compatible.

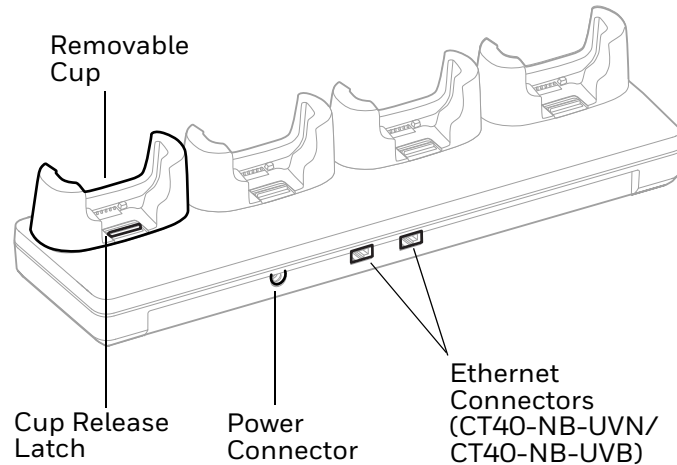
Universal bases CT40-CB-UVN, CT40-CB-UVB, CT40-NB-UVN, and CT40-NB-UVB have removable cups that can be replaced. (See [Universal Dock Cups](#) on page 41.)

Features

CT40-CB-PB/CT40-NB-PB



CT40-CB-UVN/CT40-CB-UVB/CT40-NB-UVN/CT40-NB-UVB



Out of the Box

Make sure that your shipping box contains these items:

- Charge Base (CT40-CB-PB, CT40-CB-UVN, CT40-CB-UVB) or Ethernet Base (CT40-NB-PB, CT40-NB-UVN, CT40-NB-UVB)
- Power supply
- Power cord (if purchased)
- Product documentation

If any of these items are missing or appear damaged, contact your Customer Account Representative. Keep the original packaging in the event that you need to return the base for service or if you want to store the base while not in use.

Connect Power

Use only a UL Listed power supply that has been qualified by Honeywell with an output rated at 12V/7A. The power supply input rating is 100-240 VAC, 50/60 Hz. The operating temperature is -10 °C to 50 °C (14 °F to 122 °F).

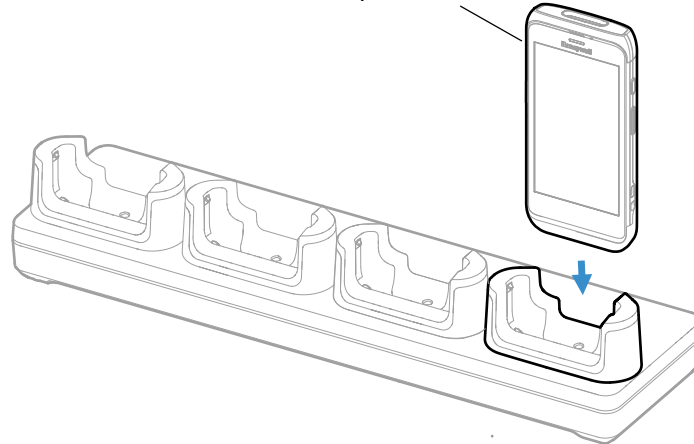
1. Plug the power cord into the power supply.
2. Plug the power supply cable into the power connector on the back of the base.
3. Plug the power cord into a standard wall outlet.

Charge the Battery Pack

Insert a device with a battery installed into the Charge Base or Net Base.

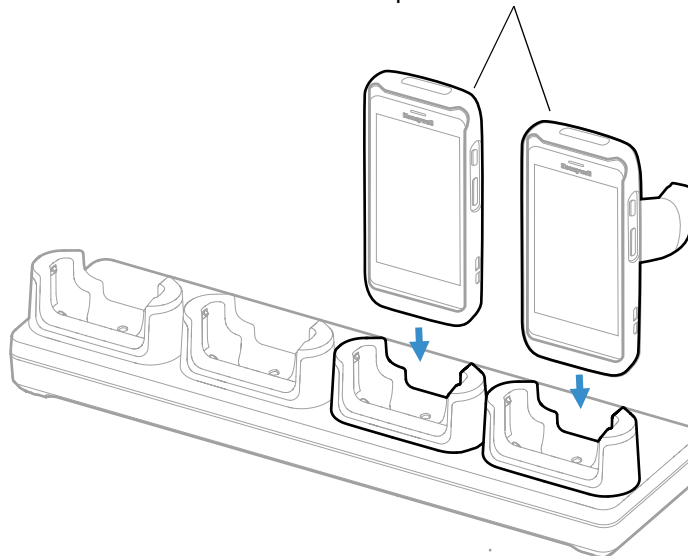
CT40-CB-UVN/CT40-NB-UVN

Mobile computer
without protective boot



CT40-CB-PB/CT40-NB-PB/CT40-CB-UVB/CT40-NB-UVB

Mobile computer
with protective boot



Note: Bases CT40-CB-PB and CT40-NB-PB will not charge unless a boot is attached to the computer.

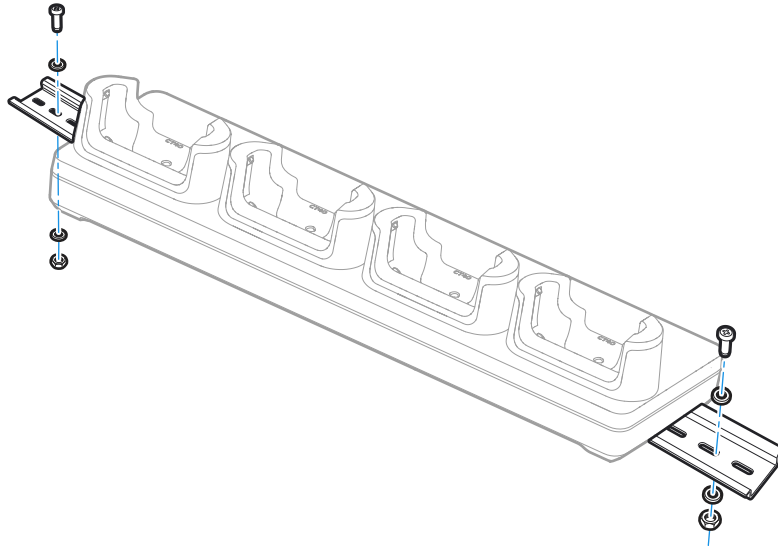
Mount the Charge Base or Net Base

You can mount the charger on a flat, horizontal surface such as a desktop or workbench with an optional DIN rail.

Mounting hardware required:

- DIN rail
- 3/16-inch diameter x 5/8-inch long pan head screw
- 1/2-inch OD x 7/32-inch ID x 3/64-inch thick washer
- 3/16-inch diameter nut

1. Slide the DIN rail into the slot on the bottom of the Charge Base or Net Base.
2. Secure the DIN rail to the flat surface with the hardware.

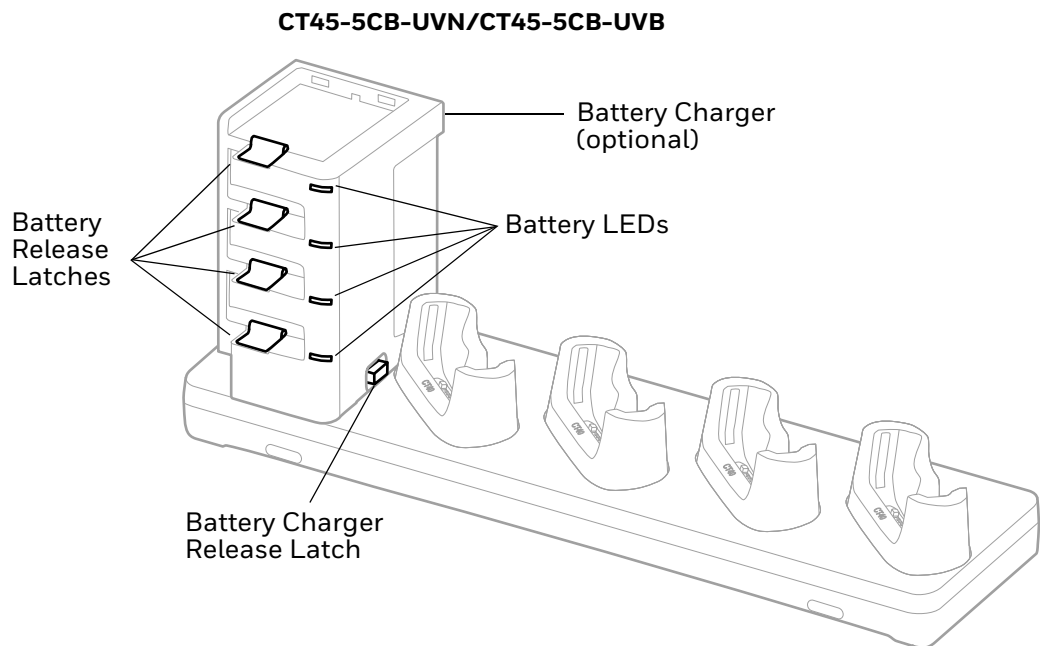


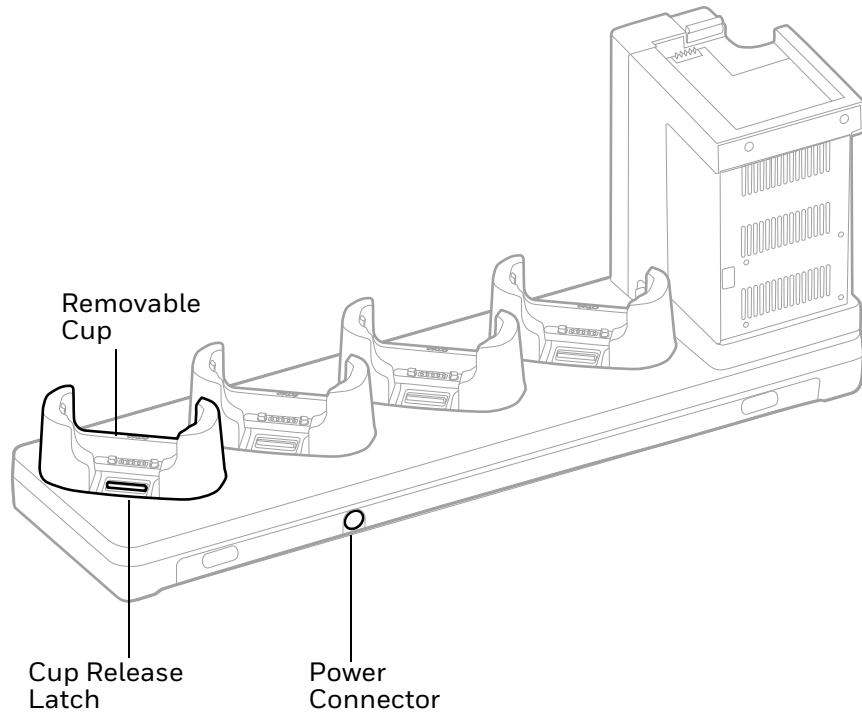
UNIVERSAL DOCK 5-BAY CHARGE BASE

The Universal Dock Five-Bay Charge Base provides the flexibility of charging five units, or four units and four batteries with the optional battery charger.

The CT45-5CB-UVB is boot-compatible. The CT45-5CB-UVN must be used with a computer that does not have a boot installed. Universal bases have removable cups that can be replaced. (See [Universal Dock Cups](#) on page 41.)

Features





Out of the Box

Make sure that your shipping box contains these items:

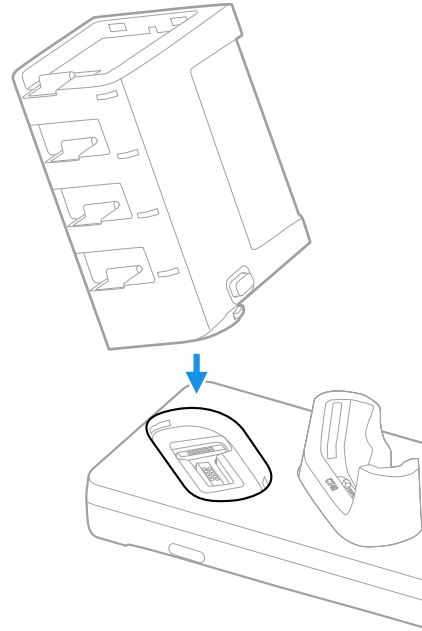
- 5-Bay Charge Base (CT45-5CB-UVN/CT45-5CB-UVB)
- Power supply
- Power cord (if purchased)
- Product documentation

If any of these items are missing or appear damaged, contact your Customer Account Representative. Keep the original packaging in the event that you need to return the base for service or if you want to store the base while not in use.

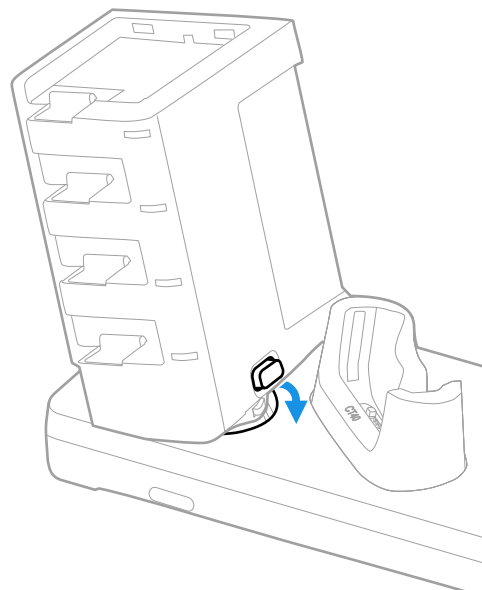
Insert the Optional Battery Charger

Note: The Battery Charger must be installed in the location shown below.

1. Insert the battery charger tilted slightly to the left of the base.



2. Press the latch release button as you push the battery charger down until it snaps in.



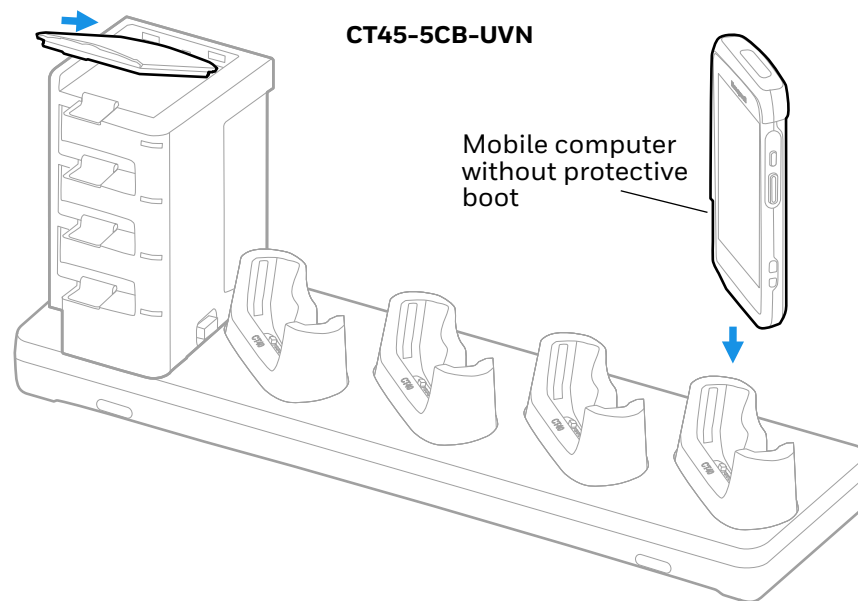
Connect Power

Use only a UL Listed power supply that has been qualified by Honeywell with an output rated at 12V/8A. The power supply input rating is 100-240 VAC, 50/60 Hz. The operating temperature is 0 °C to 45 °C (32 °F to 113 °F).

1. Plug the power cord into the power supply.
2. Plug the power supply cable into the power connector on the back of the base.
3. Plug the power cord into a standard wall outlet.

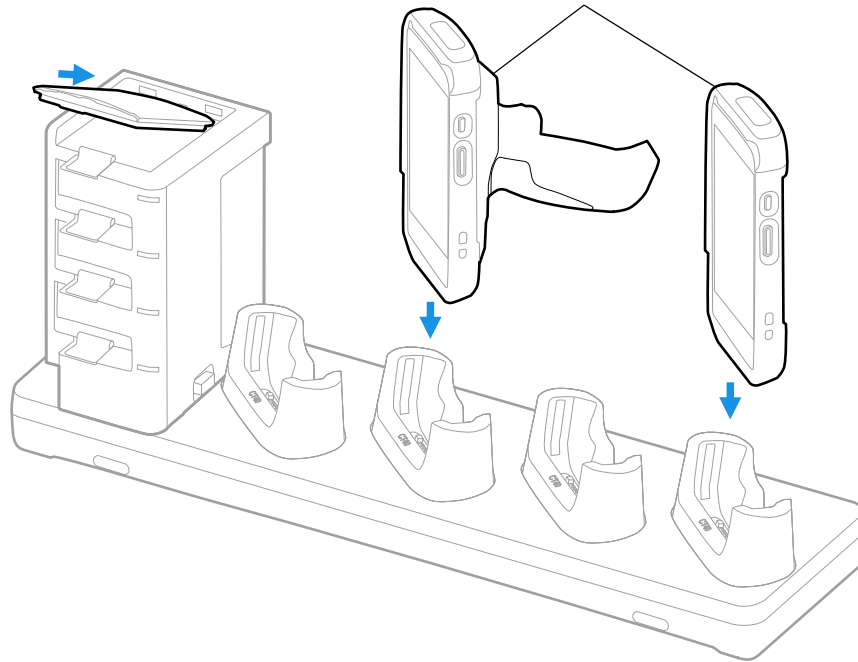
Charge the Battery Pack

Insert a device with a battery installed into the 5-Bay Charge Base. Or insert a battery into the optional battery charger.



CT45-5CB-UVB

Mobile computer
with protective boot



Status LED

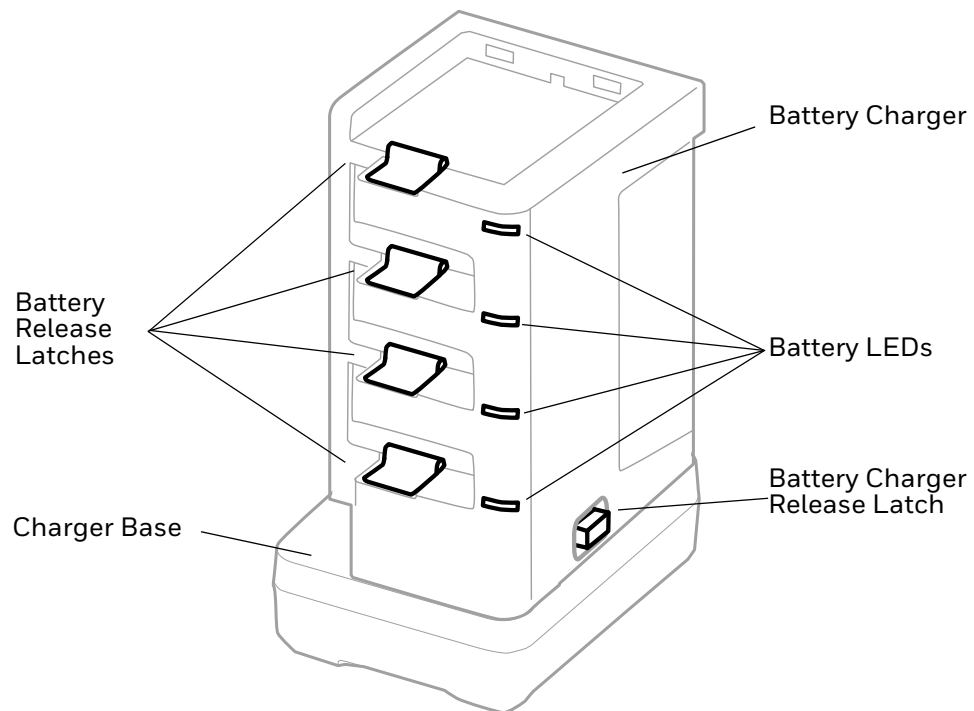
LED	Status	Description
Battery	Solid Green	The battery is connected to external power and is fully charged.
	Solid Amber	The battery is connected to external power and is charging.
	Solid Red	There is a battery charging fault, such as over-temperature.

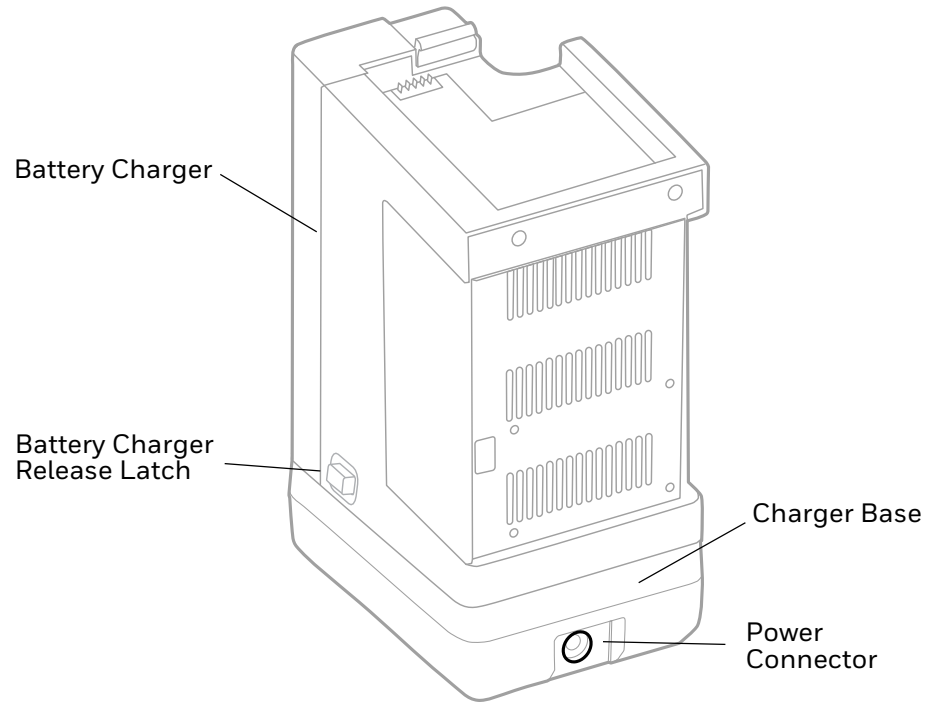
QUAD BATTERY UNIVERSAL CHARGER

The CT4X-QBC-1BAY Quad Battery Universal Charger charges up to four batteries.

Features

CT4X-QBC-1BAY Quad Battery Universal Charger





Out of the Box

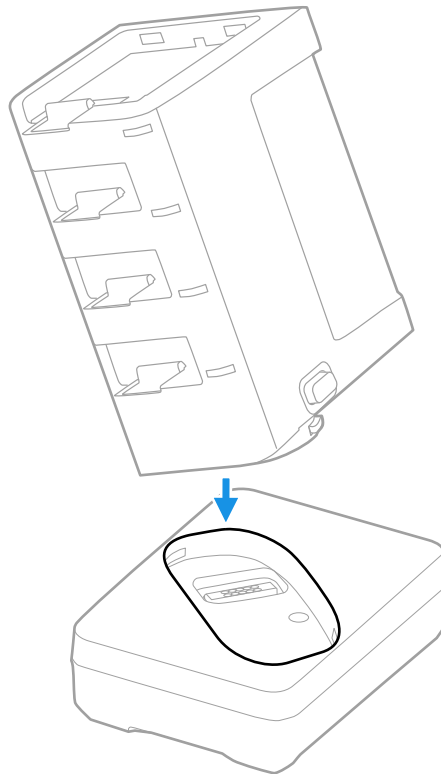
Make sure that your shipping box contains these items:

- Quad Battery Universal Charger (CT4X-QBC-1BAY)
- Power supply
- Power cord (if purchased)
- Product documentation

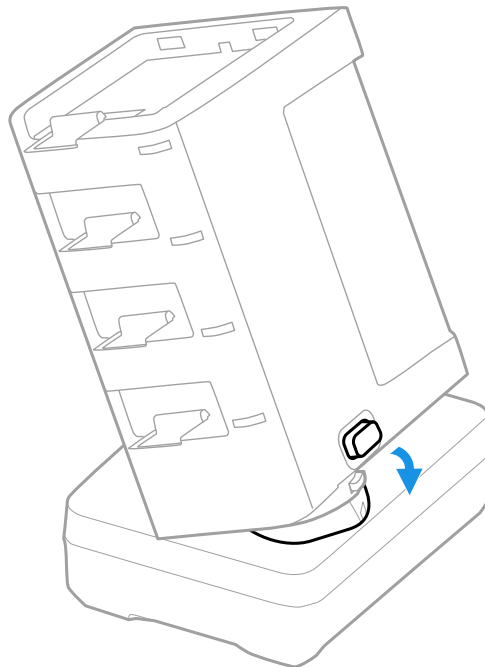
If any of these items are missing or appear damaged, contact your Customer Account Representative. Keep the original packaging in the event that you need to return the charger for service or if you want to store the charger while not in use.

Insert the Battery Charger

1. Insert the battery charger tilted slightly to the left of the base.



2. Press the latch release button as you push the battery charger down until it snaps in.



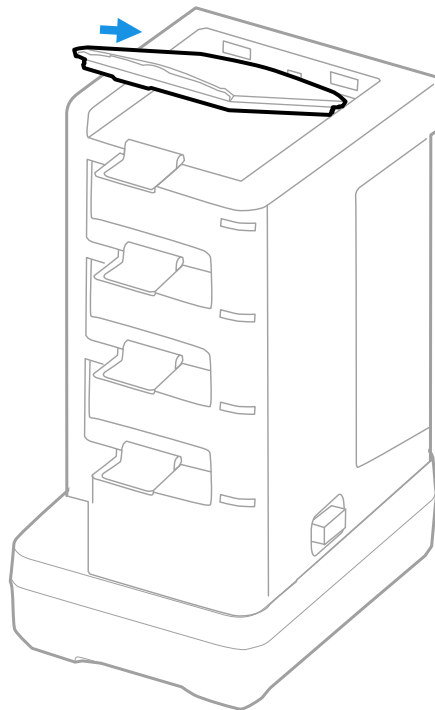
Connect Power

Use only a UL Listed power supply that has been qualified by Honeywell with an output rated at 12V/3A. The power supply input rating is 100-240 VAC, 50/60 Hz. The operating temperature is 0 °C to 45 °C (32 °F to 113 °F).

1. Plug the power cord into the power supply.
2. Plug the power supply cable into the power connector on the back of the base.
3. Plug the power cord into a standard wall outlet.

Charge the Battery Pack

Insert a battery into the Quad Battery Universal Charger.



Status LED

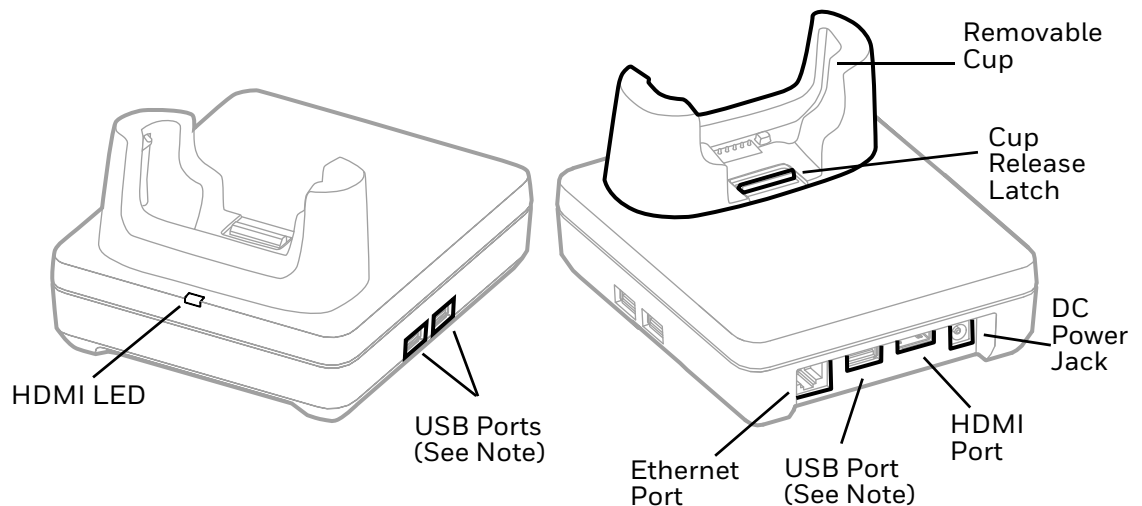
LED	Status	Description
Battery	Solid Green	The battery is connected to external power and is fully charged.
	Solid Amber	The battery is connected to external power and is charging.
	Solid Red	There is a battery charging fault, such as over-temperature.

UNIVERSAL DOCK DISPLAY DOCK

A display dock allows a mobile computer to become a personal computer. A monitor, keyboard, mouse, and audio can be connected through the dock via the USB ports. The dock also provides an Ethernet connection.

The CT40-DB-UVN accepts only a computer without a protective boot, while the CT40-DB-UVB is compatible with a booted computer. Both universal display docks have removable cups that can be replaced. (See [Universal Dock Cups](#) on page 41.)

Features



Note: The display dock supports USB direct connections only. The dock does not support USB hub connections, including keyboards with USB port(s).

Out of the Box

Make sure that your shipping box contains these items:

- CT40 Universal Display Dock (CT40-DB-UVN or CT40-DB-UVB)
- Power adapter
- Power cord
- Regulatory Sheet

If any of these items are missing or appear damaged, contact your Customer Account Representative. Keep the original packaging in the event that you need to return the dock for service or if you want to store the dock while not in use.

Dock Connectors

Connect Power

Use only a UL Listed power supply that has been qualified by Honeywell with an output rated at 12 VDC and 3 A. The power supply input rating is 100-240 VAC, 50/60 Hz. The operating temperature is -10 °C to 50 °C (14 °F to 122 °F). The maximum output of the base is 5VDC/2A.

1. Plug the power cord into the power supply.
2. Plug the power supply cable into the power jack on the back of the dock.
3. Plug the power cord into a standard wall outlet.

Connect to Monitor

Note: See [Monitor Connections](#) on page 39 for a list of approved connections.

1. Plug the HDMI cable into the dock.
2. Plug the other end of the HDMI cable into the monitor.

Connect to an Ethernet Network

1. Plug the Ethernet cable into the dock.
2. Place the computer in the dock.

Note: For advanced Ethernet settings, go to sps.honeywell.com for the Dolphin CT40 User Guide.

Connect to an USB Device

Note: See [USB Devices](#) on page 39 for a list of approved USB devices.

Note: The dock supports USB direct connections only. The dock does not support USB hub connections, including keyboards with USB port(s).

Plug the USB type A cable into a USB port on the dock.

Status LED

Status	Description
Constant Green	The dock is connected through HDMI.
Off	The dock is not connected or lost connection through HDMI.

Check Software on Computer

Your mobile computer includes the DisplayLink software that is required to use the display dock.

Note: If you have a CT40 mobile computer with an Android 7 operating system, you will need to install the DisplayLink software. Honeywell recommends keeping your device apps and OS up to date as a cyber security best practice.

Install DisplayLink Software

There are two ways to download the DisplayLink software to the computer:

- Download the DisplayLink Presenter app from Google Play.
- Download the DisplayLink Presenter APK provided by Honeywell.

Download the APK

To download the DisplayLink Presenter:

1. Go to the *Technical Support Downloads Portal*, honeywell.com/PSSsoftware-downloads.
2. Create an account if you have not already created one. You must login to download the software.
3. Install the *Honeywell Download Manager* tool on your workstation (e.g., laptop or desktop computer) prior to trying to download any files.
4. Navigate to the software. Click on **Software > Computer Devices > Handheld > Dolphin CT40 > Android 7 > CT40 Display Dock**.

5. Select **Download** next to the software zip file.

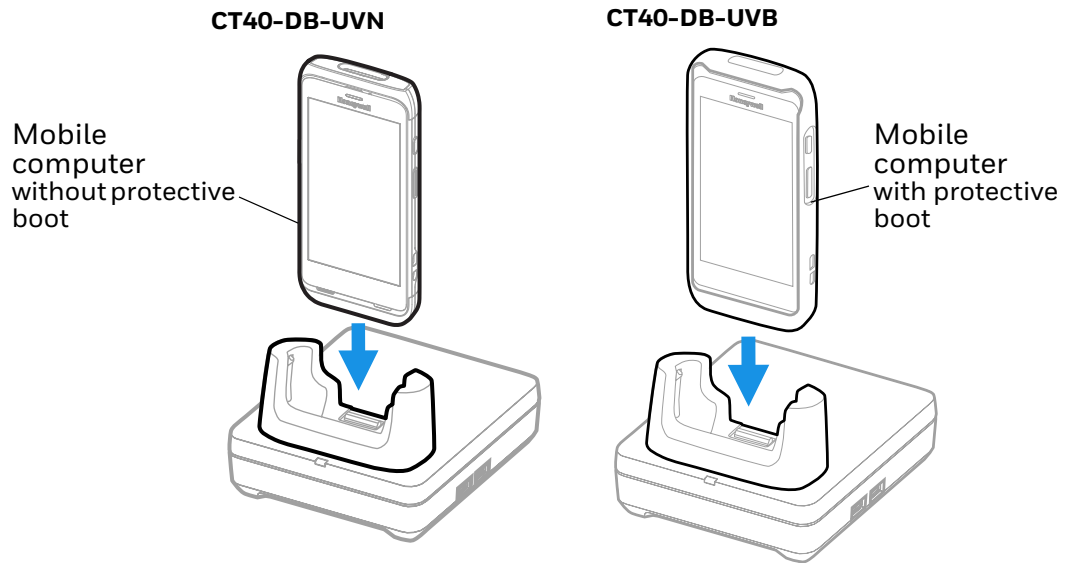
Install the Software

Note: *The computer must have power for the entire length of the install process or it could become unstable. Do not attempt to remove the battery during the process.*

1. Swipe up from the bottom of the Home screen to access all apps.
2. Tap **Settings** > **Provisioning mode** under *Honeywell settings*.
3. Tap the toggle button to turn Provisioning mode **On**.
4. Connect the computer to your workstation.
5. On the computer, swipe down from the top of the screen to see the notifications.
6. Tap **USB charging this device**.
7. Select **Transfer files**.
8. Open the browser on your workstation.
9. Save the DisplayLink Presenter file (*.apk), version 2.3.0 or higher, in one of the following folders on the CT40 mobile computer:
 - **Internal shared storage\honeywell\autoinstall**
Files saved to this folder for installation do not persist when a Full factory reset or Enterprise data reset is performed.
 - **IPSM card\honeywell\autoinstall**
Files saved to this folder for installation do not persist when a Full factory reset is performed. However, the software does persist if an Enterprise data reset is performed.
10. Swipe up from the bottom of the Home screen to access all apps.
11. Tap **AutoInstall Settings** and verify **AutoInstall** is enabled.
12. Tap **Packages Upgrade** from the AutoInstall Settings screen. The computer will initiate a reboot and install the software. When the install is finished, the lock screen appears.
13. Once installation is complete, turn Provisioning mode **Off**.

Insert Computer into the Dock

Ensure the computer is fully seated into the dock.



The first time you insert the computer into the dock, prompts appear on the screen. Follow the prompts on the screen to:

- Set default for DisplayLink Presenter to open when the USB device is connected.
- Start capturing everything that is displayed on your screen.

Note: These prompts no longer appear when you insert the CT40 into the dock unless you left “Don’t show again” unchecked.

The computer display will automatically change to landscape view and the resolution will update to the monitor settings.

Configure the Display Dock Settings

You can configure the parameters on the computer for the Display Dock using the Display Dock Settings app.

Set Display Dock Settings

The Display Dock Settings app is available from the all apps menu under Settings.

1. Swipe up from the bottom of the Home screen to access all apps.
2. Tap **Settings** > **Honeywell Settings** > **Display Dock**.

Set Monitor Settings

1. Swipe up from the bottom of the Home screen to access all apps.
2. Tap **Settings** > **Honeywell Settings** > **Display Dock**.
3. Choose one of the following options to set the view:
 - Tap **System portrait screen**, to have the computer stay in portrait view.
 - Tap **System landscape screen**, to have the computer stay in landscape view.
4. To set the system resolution, tap **Resolution**.
5. To set the density, tap **Density**.

Set Peripheral Settings

1. Swipe up from the bottom of the Home screen to access all apps.
2. Tap **Settings** > **Honeywell Settings** > **Display Dock**.
3. To set the right mouse button to the Back key, tap **Right mouse button** to toggle the feature On or Off.
4. To use an external monitor for audio, tap **HDMI audio** to toggle the **Sound to external monitor** feature On or Off.

Set Mode Settings

The Display Dock provides three mode settings. In Primary and Mirror mode, the display on the monitor plugged into the dock is the same as what is on the screen of the mobile computer. In Desktop mode, the display looks and behaves like a desktop workstation, so for example, users can have multiple apps open simultaneously on the desktop.

Note: *Availability of the Desktop mode setting depends on the software version installed on the device.*

Note: *The display mode cannot be changed while the mobile computer is in the Display Dock.*

1. Swipe up from the bottom of the Home screen to access all apps.
2. Tap **Settings** > **Honeywell Settings** > **Display Dock**.
3. To set the external monitor mode:
 - Select **Primary mode** to automatically adjust as configured in settings.
 - Select **Mirror mode** to match the terminal's settings.
 - Select **Desktop mode** to allow the mobile computer to function like a desktop workstation. The mobile device can be used as a second, separate display while in the Display Dock.

4. If Desktop Mode is selected, restart the mobile computer. The mobile computer must be restarted for the setting to take effect.

Connected Devices

Monitor Connections

Supported Devices

- HDMI versions 1.4 and above
- VGA - supported through HDMI/VGA converter
- DVI - supported through HDMI/DVI converter

Non-Supported Devices

- HDMI splitter for two monitors
- Display Port

USB Devices

Supported Devices

- Standard three button mouse with scroll
- Standard QWERTY keyboard without HUB/USB type A ports on the keyboard
- USB headset/USB to 3.5mm audio converter
- USB mass storage devices (thumb drives), not recommended for large transfers (over 1GB)

Non-Supported Devices

- USB Hubs
- USB devices with additional USB type A ports

Clean the Dock

You may need to clean the dock to keep the dock in good working order. Clean the dock with a dry soft cloth as often as needed for the environment in which you are using the dock.

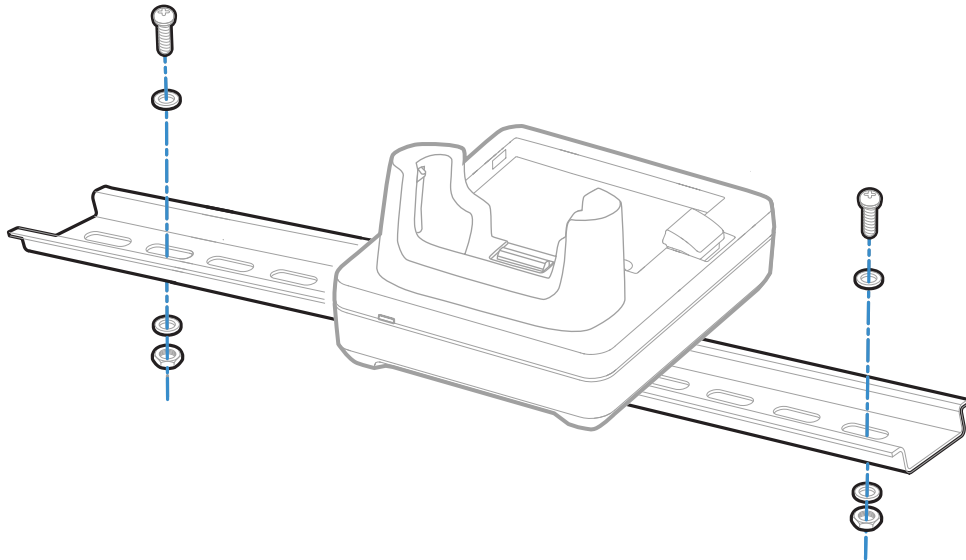
Mount the Display Dock

You can mount the dock on a flat, horizontal surface such as a desktop or workbench with an optional DIN rail.

Mounting hardware required:

- DIN rail
- 3/16-inch diameter x 5/8-inch long pan head screw
- 1/2-inch OD x 7/32-inch ID x 3/64-inch thick washer
- 3/16-inch diameter nut

1. Slide the DIN rail into the slot on the bottom of the dock.
2. Secure the DIN rail to the flat surface with the hardware.



UNIVERSAL DOCK CUPS

Universal Bases have removable cups that can be replaced with Universal Cups CT40-UCP-N and CT40-UCP-B.

CT40-UCP-N is for use with a mobile computer without a boot. CT40-UCP-B must be used with a mobile computer with a boot attached.

For more information about the universal docks for computers, see:

- [Universal Dock Home Base and Ethernet Home Base](#) (page 15)
- [Charge Base and Ethernet Base](#) (page 19)
- [Universal Dock Display Dock](#) (page 33)

Out of the Box

Make sure that your shipping box contains these items:

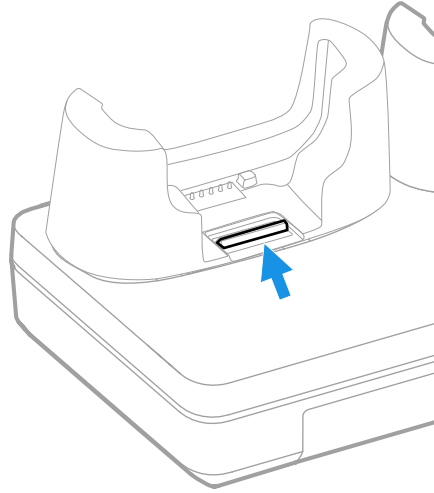
- Universal Cup (CT40-UCP-N or CT40-UCP-B)

If any of these items are missing or appear damaged, contact your Customer Account Representative. Keep the original packaging in the event that you need to return the cup for service or if you want to store the cup while not in use.

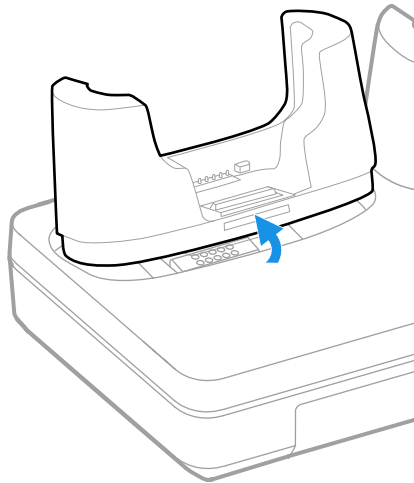
Replacing a Universal Cup

Note: The Universal Charge base is shown in the instructions below for illustration purposes. The steps for removing and inserting a cup are the same for all universal bases.

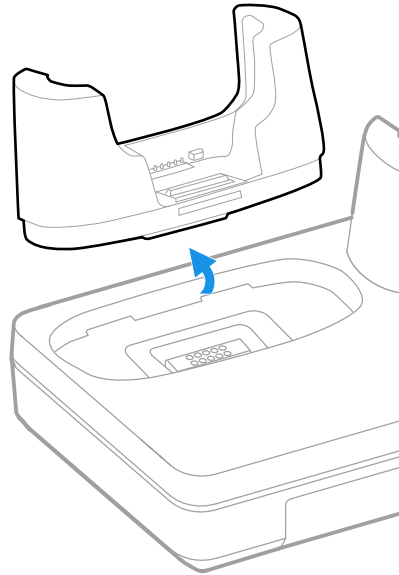
1. Push the latch towards the front of the base.



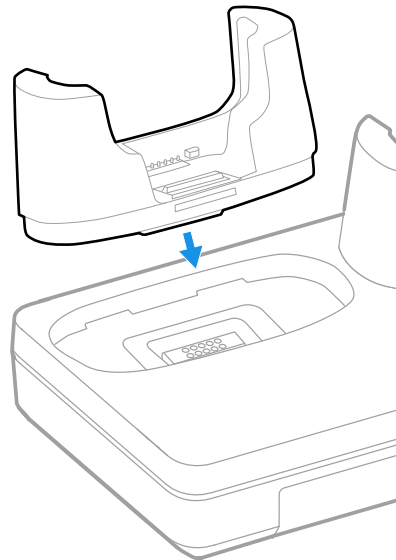
2. Tilt the back of the cup upwards.



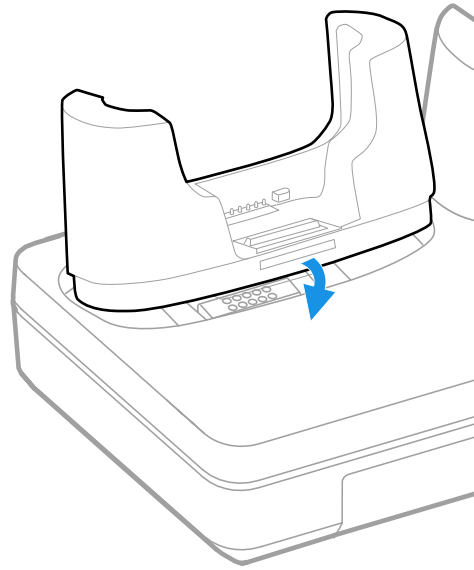
3. Lift the old cup out of the base.



4. Insert the new cup tilted slightly towards the front of the base.



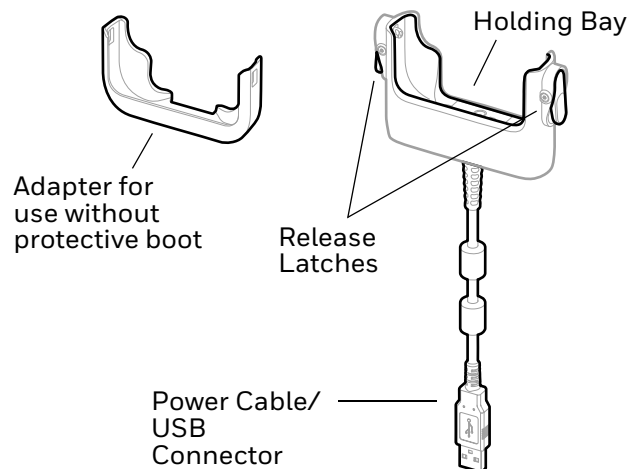
5. Push the cup into the base until it snaps in.



SNAP-ON USB ADAPTER

A Snap-On Adapter is a tethered USB adapter that charges one mobile computer and allows data transfer via USB client connectivity. Both the CT40-SN-CNV and the CT45-SN-CNV include an adapter for mobile computer use without a protective boot.

Features



Out of the Box

Make sure that your shipping box contains these items:

- Snap-On USB Adapter (CT40-SN-CNV or CT45-SN-CNV)
- Adapter for use without protective boot
- Product documentation

If any of these items are missing or appear damaged, contact your Customer Account Representative. Keep the original packaging in the event that you need to return the adapter for service or if you want to store the adapter while not in use.

Connect Power

You can charge your unit via the snap-on adapter by connecting it to a USB port on a host device or with the optional 5VDC/2A wall charger (p/n 50130570-001).

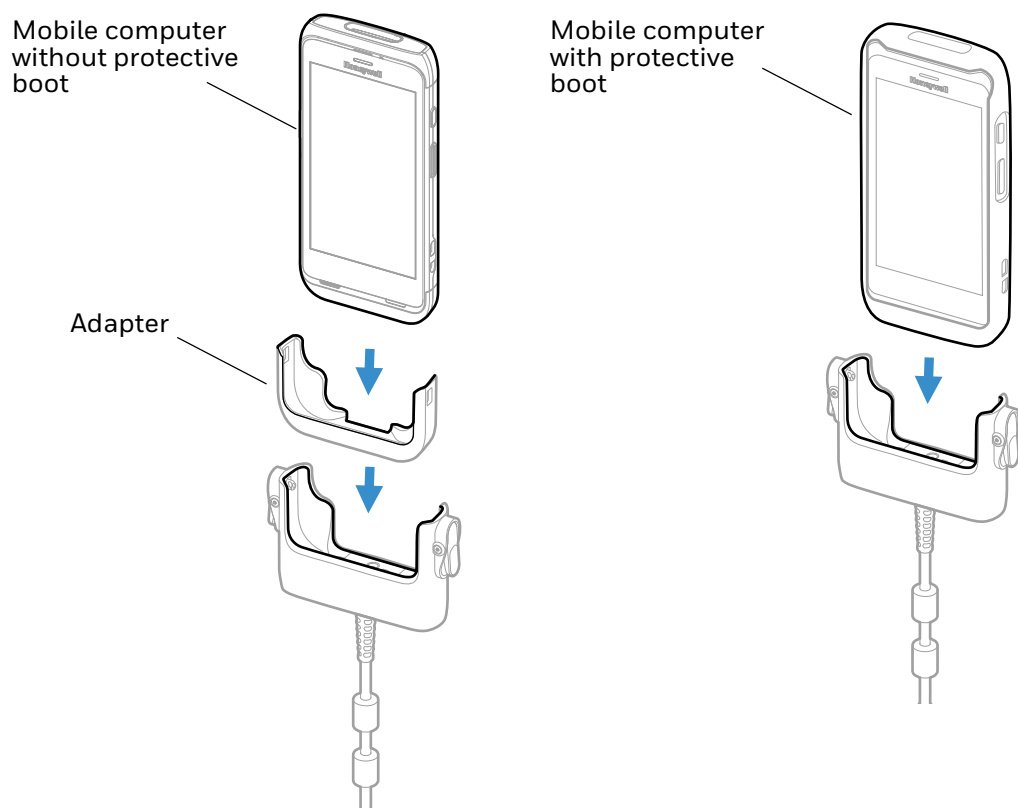
The operating temperature is -10 °C to 50 °C (-14 °F to 122 °F).

Charge the Battery Pack

Charge from a USB port on a Host Device

Charging the battery through a USB port takes more time than direct charging using the optional wall charger.

1. Connect the USB cable to your personal computer.
2. If your computer does not have a boot attached, insert the adapter into the holding bay of the snap-on USB adapter.
3. Insert the computer with battery installed into the holding bay until the latches click.

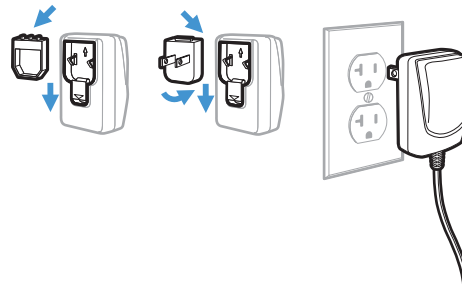


Note: Inadequate source current may lengthen the charge time or prevent the battery from charging if the terminal is drawing more current than supplied by the USB port.

Charge with Optional Wall Charger (50130570-001)

Use only a UL listed power supply that has been qualified by Honeywell with an output rated at 5VDC/2A with the device.

1. Slide the regional plug adapter into the wall charger.
2. Connect the snap-on adapter USB cable to the wall charger.
3. Plug the wall charger into an AC power outlet.

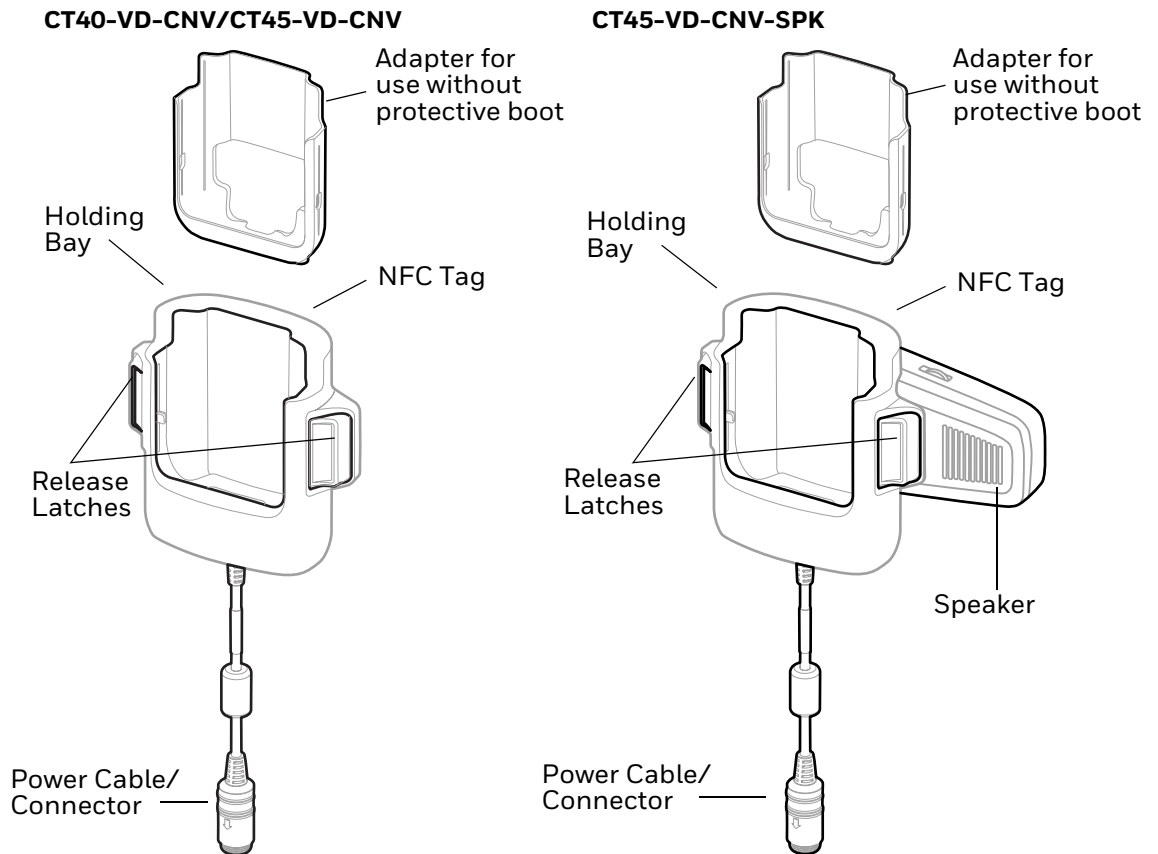


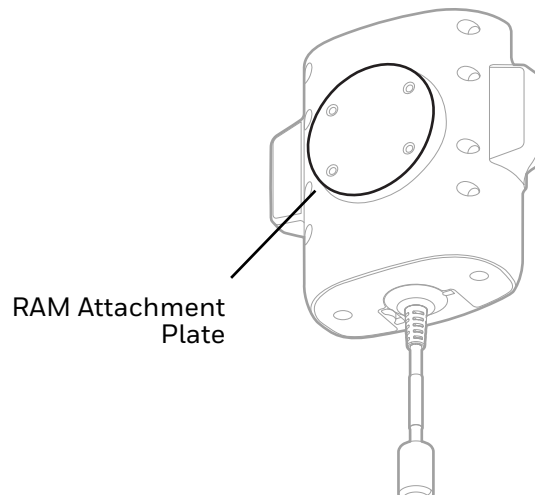
4. If your computer does not have a boot attached, insert the adapter into the holding bay of the snap-on USB adapter.
5. Insert the computer with battery installed into the holding bay until the latches click.

VEHICLE DOCKS

A Vehicle Dock securely fastens your device in a moving vehicle while also providing charging capabilities. It has a hard-wired 3-pin power cable and can be used for a mobile computer with or without a protective boot.

Features





Out of the Box

Make sure that your shipping box contains these items:

- Vehicle dock (CT40-VD-CNV, CT45-VD-CNV, or CT45-VD-CNV-SPK)
- Adapter for use without protective boot
- Power adapter
- Product documentation

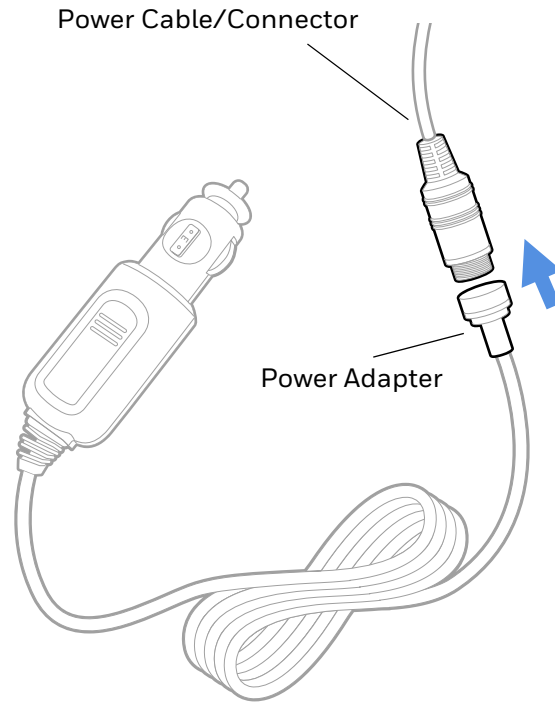
If any of these items are missing or appear damaged, contact your Customer Account Representative. Keep the original packaging in the event that you need to return the vehicle dock for service or if you want to store the Vehicle Dock while not in use.

Connect Power

The vehicle to which you connect the vehicle dock should supply 2 A to the computer. The operating temperature is -20 °C to 50 °C (-4 °F to 122 °F).

1. Connect the vehicle dock power cable to the power adapter cable and screw the two cables together.

2. Plug the power adapter into the power port on the vehicle.

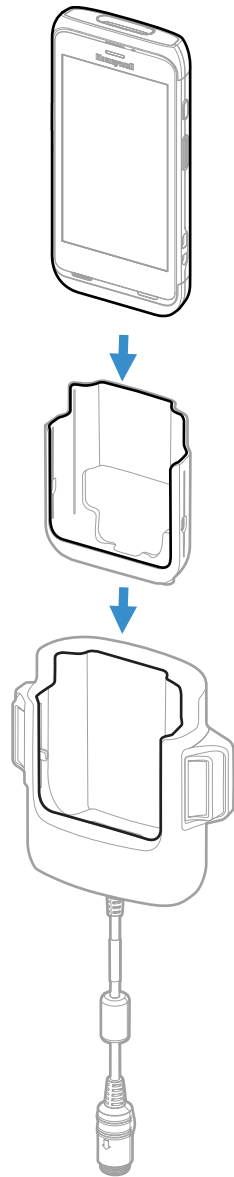


Charge the Battery Pack

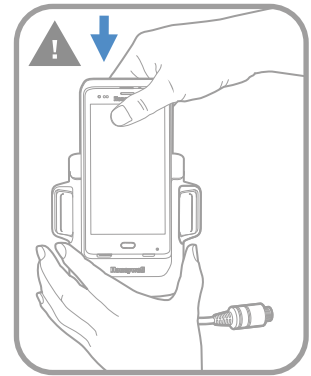
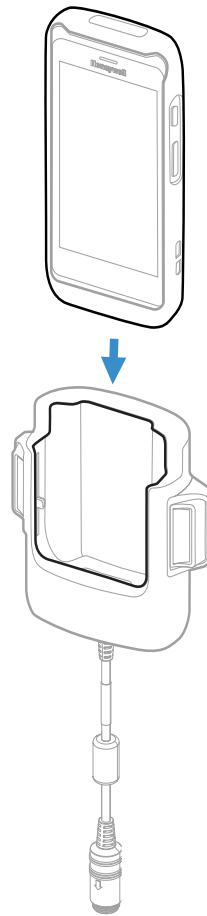
1. If your computer does not have a boot attached, insert the adapter into the dock.

2. Pushing down firmly, insert the computer with battery installed into the vehicle dock until the latches click.

Mobile computer without protective boot



Mobile computer with protective boot



Mount the Vehicle Dock

You can mount a vehicle dock to your vehicle with a RAM mount (sold separately).

Mounting hardware required:

- RAM mount
- Appropriate screws and nuts

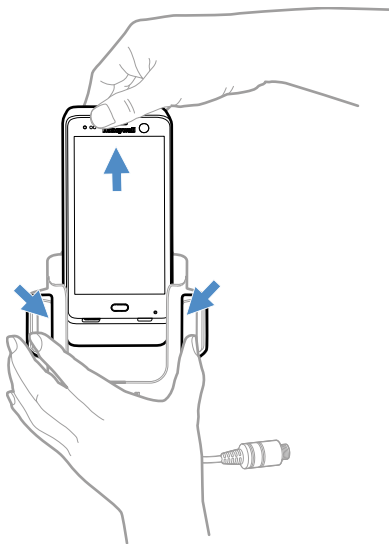
About the Phone

When the computer receives or makes a call, audio will transfer to the computer speaker.

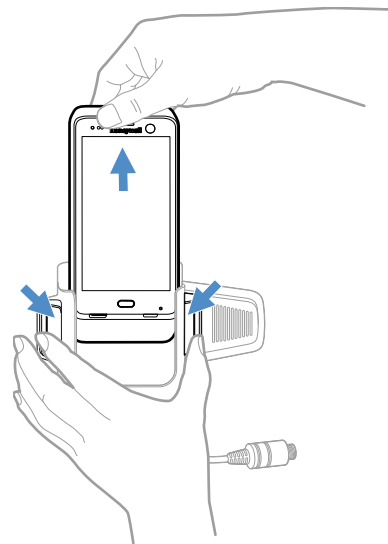
Remove Computer from Vehicle Dock

- Press both release latches then lift the computer out of the dock.

CT40-VD-CNV/CT45-VD-CNV



CT45-VD-CNV-SPK



Note: After removing a computer from a CT45-VD-CNV-SPK vehicle dock, wait at least 5 seconds before reinserting it. This pause will allow time for audio to transfer from the computer speaker back to the dock speaker.

About Near Field Communication (NFC)

NFC technology provides the ability for short-range, wireless data transfer between the Vehicle Dock and NFC tags or other NFC enabled devices placed in close proximity to the back of the dock. To connect the computer to the Vehicle Dock through NFC, see [Honeywell OBD Connector](#) below.

The NFC in the vehicle dock can store the Bluetooth MAC address of the vehicle's On Board Diagnostics System (OBD) Bluetooth dongle. When the computer is placed in the vehicle dock, the Bluetooth MAC address is transferred via NFC, and the computer will pair to the OBD Bluetooth dongle.

Honeywell OBD Connector

To write, erase, or update the NFC connection between the computer and the Vehicle Dock, use the Honeywell OBD Connector app. This app does not receive any data from the OBD adapter.

1. Insert the computer into the vehicle dock until the latches click.
2. Swipe up from the bottom of the Home screen to access all apps.
3. Tap **Power Tools > OBDQuickLink**.
4. Available OBD Devices are listed. If you do not see the vehicle dock listed, tap **Re-Scan**.
5. Select the vehicle dock OBD device and tap **Write to NFC**.
6. The computer is now connected to the vehicle dock.

VEHICLE HOLDER

The CT45-VH-SH is a scan-handle compatible holder that securely fastens your device in a moving vehicle. It can be used for a mobile computer with or without a protective boot and with or without a scan handle.

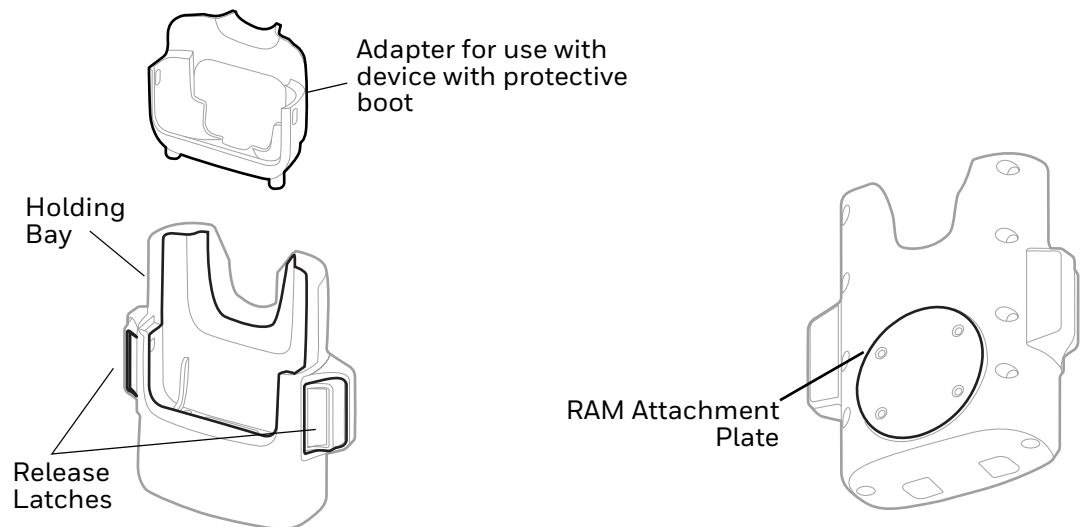
The vehicle holder is compatible with the following scan handles:

- CT45-SH-UVN for use with a CT45 or CT47 without a protective boot
- CT45-SH-UVB/ CT4X-SH-UVB for use with a CT45 or CT47 with a protective boot

For more information about scan handles, see page [9](#).

Features

CT45-VH-SH



Out of the Box

Make sure that your shipping box contains these items:

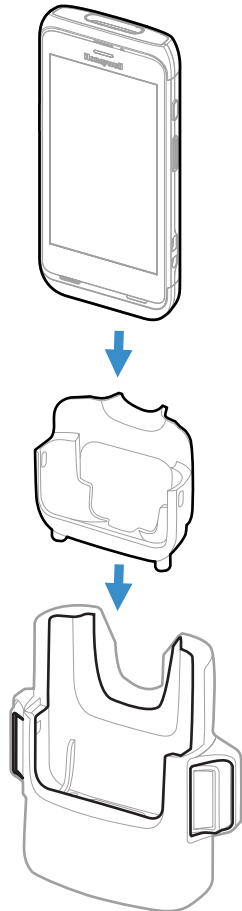
- Vehicle holder (CT45-VH-SH)
- Adapter for use without protective boot

If any of these items are missing or appear damaged, contact your Customer Account Representative. Keep the original packaging in the event that you need to return the vehicle cock for service or if you want to store the Vehicle Holder while not in use.

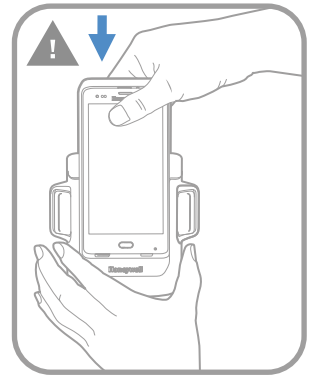
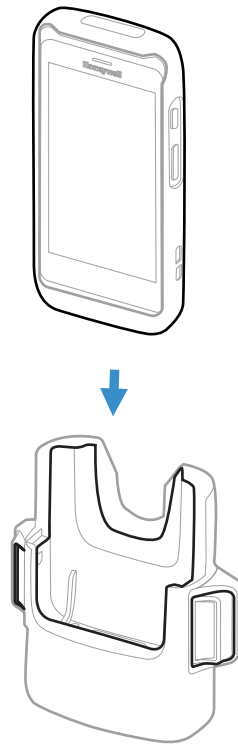
Insert the Computer

1. If your computer does not have a boot attached, insert the adapter into the holder.
2. Pushing down firmly, insert the computer with battery installed into the vehicle holder until the latches click.

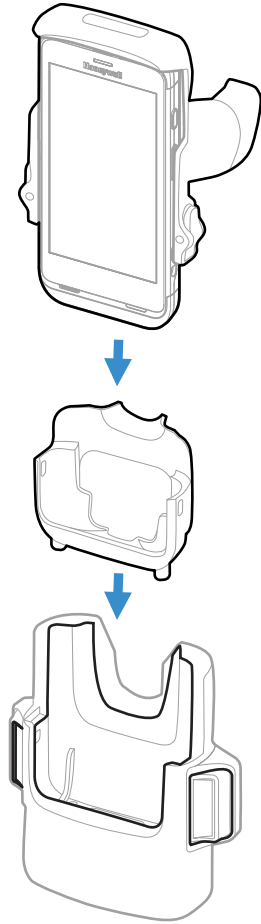
**Mobile computer
without protective boot**



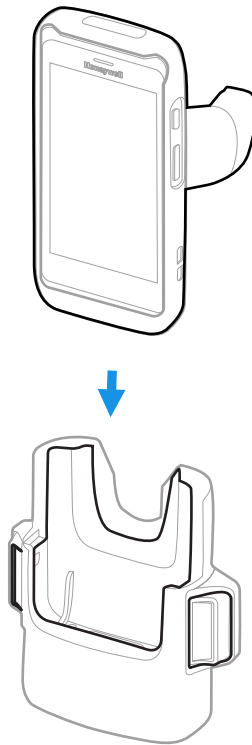
**Mobile computer
with protective boot**



**Mobile computer
without protective boot
in scan handle**



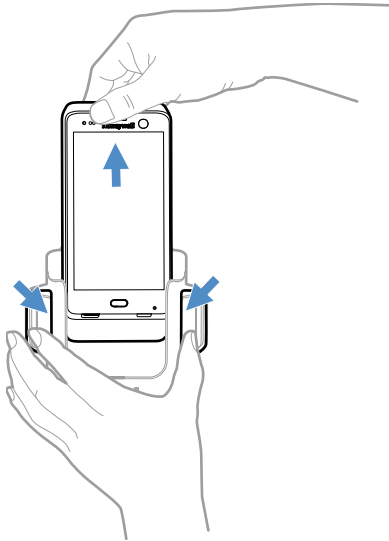
**Mobile computer with
protective boot in
scan handle**



Remove Computer from Vehicle Holder

- Press both release latches then lift the computer out of the holder.

CT45-VH-SH



Mount the Vehicle Holder

You can mount a vehicle holder to your vehicle with a RAM mount (sold separately).

Mounting hardware required:

- RAM mount
- Appropriate screws and nuts

Honeywell
855 S. Mint Street
Charlotte, NC 28202

sps.honeywell.com