

E-Class™ Mark III

Replacement Parts Catalog ■ ■ ■

Basic, Advanced, and Pro and Pro+ Models



right by our customers. ■ ■ ■



datamax·o'neil

Contents

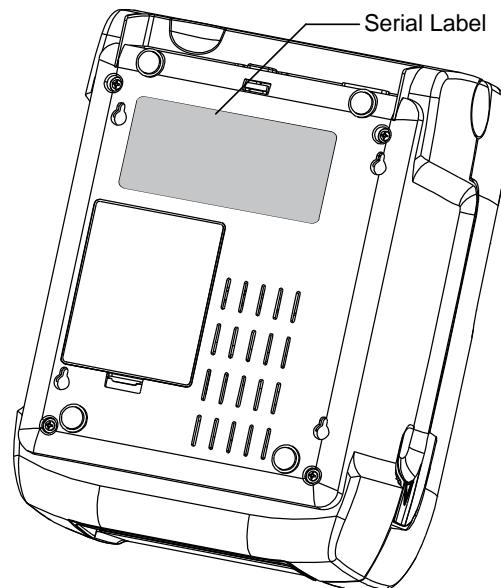
| | |
|--|----|
| E-Class Mark III | 1 |
| Printer Enclosure | 2 |
| Sensor Assemblies | 3 |
| Lower Printer Mechanism | 4 |
| Lower Printer Mechanism Pro Plus | 5 |
| Main Board | 6 |
| Motor and Platen Assemblies | 7 |
| Upper Printer Mechanism 1 of 2 | 8 |
| Upper Printer Mechanism 2 of 2 | 9 |
| Printhead Assembly | 10 |
| | |
| E-Class Mark III Options and Accessories | 11 |
| Box and Packing Materials | 12 |
| Power Supply and Cords | 13 |
| Core Adapters | 13 |
| Fan-Fold/External Media Guides | 14 |
| Peeler Option | 14 |
| Cutter Option | 15 |
| Wireless LAN Kit | 15 |
| Bluetooth Kit | 16 |

Using this Manual

Before using this manual it is important to identify the model printer you are locating parts for. Many parts are used across all models, yet some are specific to certain models. The model of printer is located on the serial label on the rear of the printer.

This manual covers the following E-Class Mark III models:

E-4204B, E-4304B, E-4205A, E-4305A, E-4206P, E-4305P,
E-4206L, and E-4305L



For more information on ordering or becoming a DASC partner please contact:

Datamax-O'Neil Customer Care
407-523-5550
customercare@datamax-oneil.com

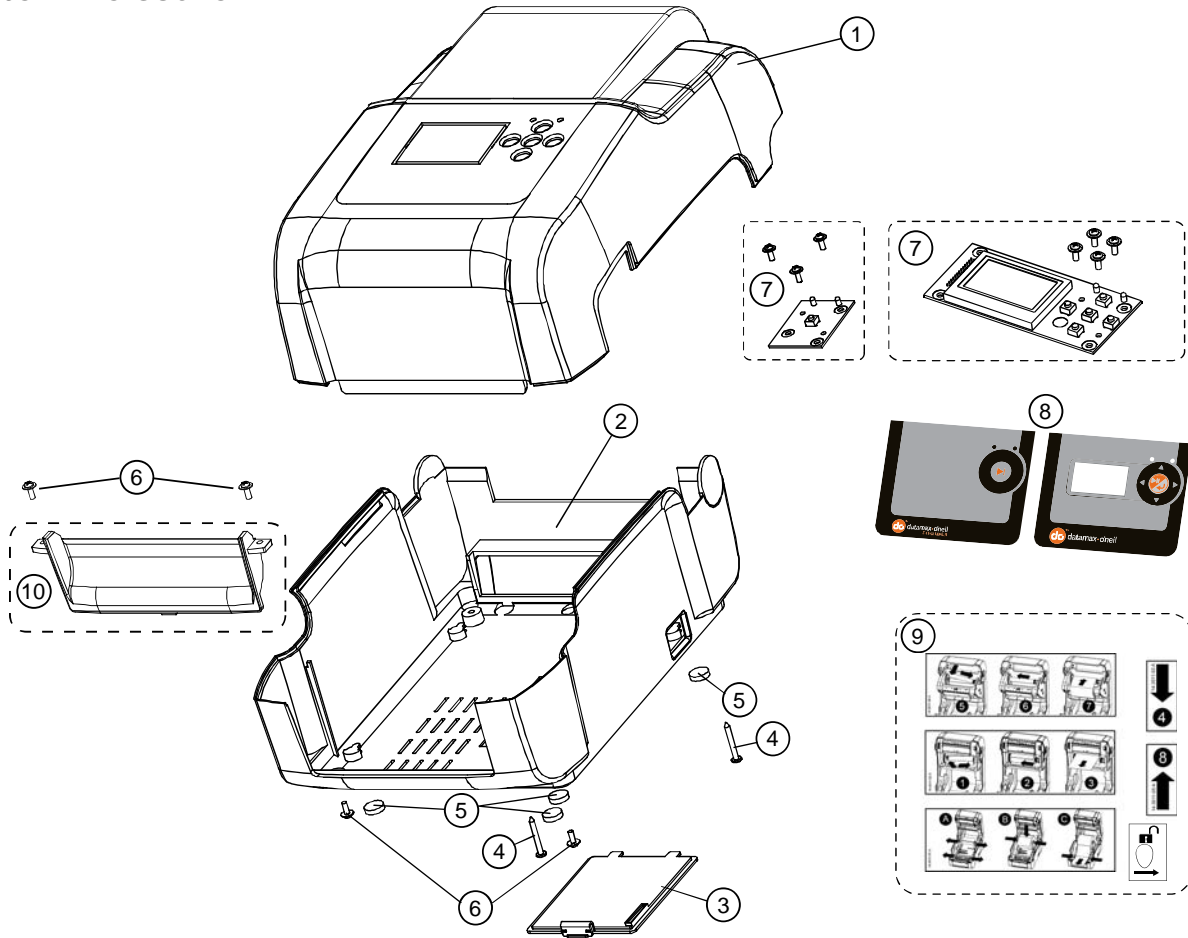
Revision Listing

| Date | Rev. | Changes |
|----------|------|--|
| 11/10/11 | A | Initial Release |
| 7/1/12 | B | 32-2497-01 Replaced with 32-2683-01 |
| 7/9/12 | C | Added support for Pro+ models |
| 12/1/12 | D | Added: MPU-4000 replacement parts Added: DPR16-3276-01 (2PK) Wheel, Ribbon Support Added: DPR16-3217-01 (2PK) Wheel, Ribbon-Rewind Added: DPR23-2014-02 Battery, Lithium, 3V |
| 12/1/13 | E | Added: OPT78-2970-01 Media Guide Extensions Added: DPR78-2972-01 Media Guide Extensions Retrofit Added: OPT78-2973-01 (10PK) Printhead Spring Upgrade Added: DPO17-3177-01(10PK) Printhead Spring Added: DPR78-2865-01 Label Roll Holder Assy. Kit DPR78-2854-02 replaced with DPR78-2854-01 DPR78-2853-01 replaced with DPR78-2853-02 OPT78-2836-01 replaced with OPT78-2836-02 Added: DPR78-2853-03 Main Board Assy. Kit (Basic) Added: DPR78-2854-03 Main Board Assy. Kit (Advanced) |

92-2575-01 Rev.E

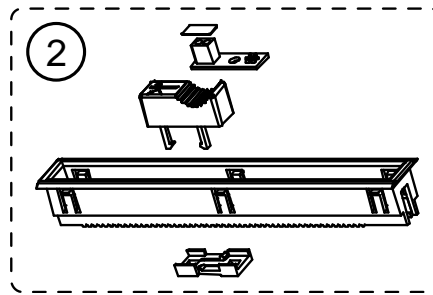
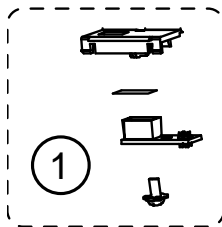
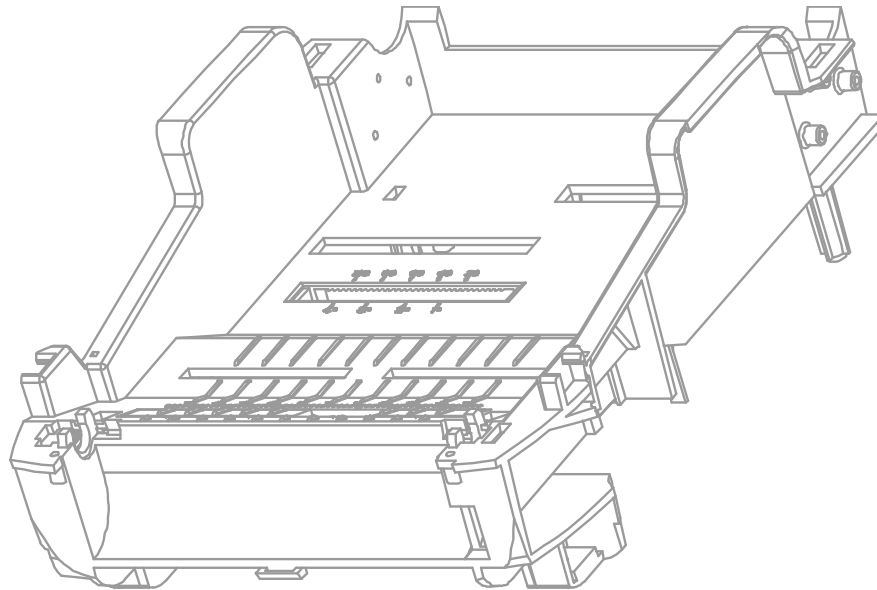
E-Class Mark III Printer Assemblies

Printer Enclosure



| # | Part# | Description | Notes |
|----|---------------|-----------------------------|--|
| 1 | DPR78-2874-01 | Top Cover Assembly 5" | Basic and Advanced Models <i>Includes Overlay</i> |
| | DPR78-2875-01 | Top Cover Assembly 5" | Professional Models <i>Includes Overlay</i> |
| | DPR78-2944-01 | Top Cover Assembly Pro+ | Professional Plus Models <i>Includes Overlay</i> |
| 2 | DPR16-3221-01 | Case, Bottom | |
| | DPR16-3220-01 | Case, Bottom Pro+ | Professional Plus Models |
| 3 | DPR16-3287-01 | Option Cover, Bottom-Case | |
| 4 | DPO10-3194-01 | (40PK) Tapping Screw 3 X 19 | |
| 5 | DPO17-3195-01 | (120PK) Rubber Foot | |
| 6 | DPO10-3179-01 | (40PK) Tapping Screw 3 X 8 | |
| 7 | DPR78-2849-01 | Feed Switch Assy Kit | Basic and Advanced Models |
| | DPR78-2850-01 | LCD Assy Kit | Professional/Plus Models |
| 8 | DPO14-3006-01 | Overlay EM3 Non-Display | Basic and Advanced Models |
| | DPO14-3006-02 | Overlay EM3 Display | Professional/Plus Models |
| 9 | DPO78-2894-01 | EM3 Loading Label Set | |
| 10 | DPR16-3252-01 | Front Cover, Bottom Case | |

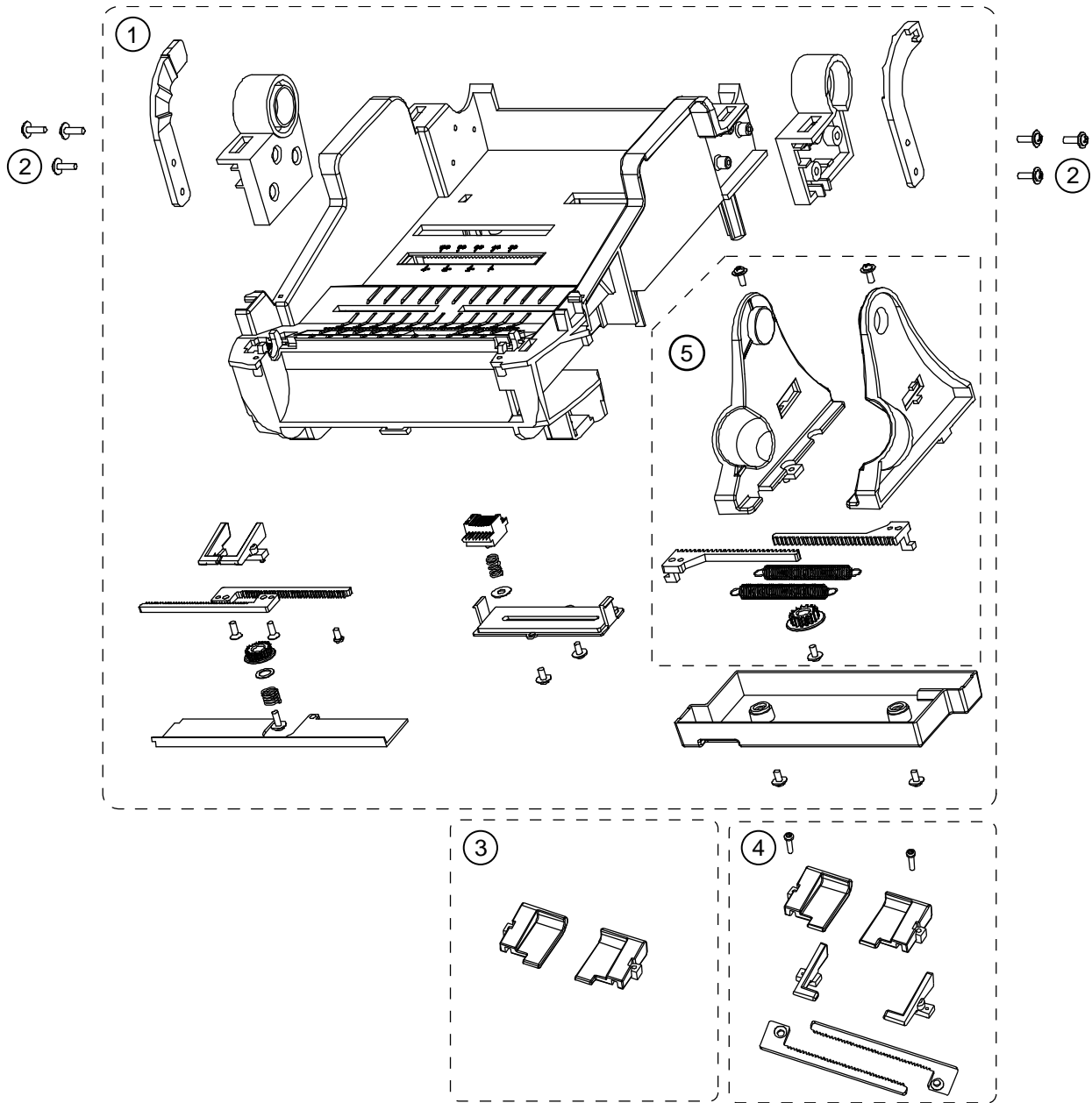
Sensor Assemblies



| # | Part# | Description | Notes |
|---|---------------|-------------------------------|---------------------------------------|
| 1 | DPR78-2846-01 | Label Sensor Assy Kit | Basic Models |
| 2 | DPR78-2847-01 | Movable Label Sensor Assy Kit | Advanced and Professional/Plus Models |

Lower Printer Mechanism

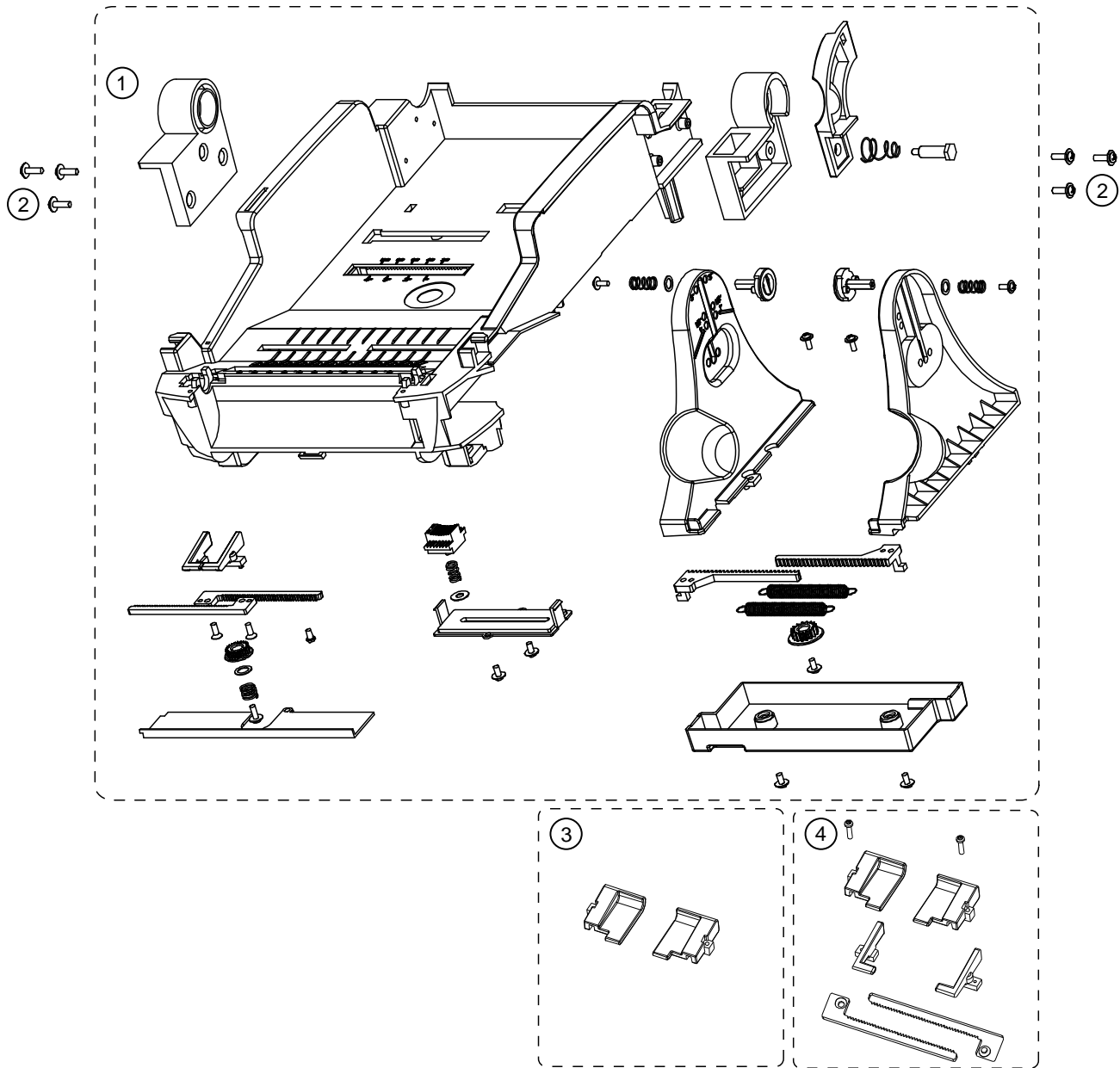
Basic, Advanced and Professional Models



| # | Part# | Description | Notes |
|---|---------------|---------------------------------|----------------------------|
| 1 | DPR78-2899-01 | Base Assembly | <i>Shipped Unassembled</i> |
| 2 | DPO10-3189-01 | (40PK) Tapping Screw, 3 X 10 | |
| 3 | OPT78-2970-01 | Media Guide Extensions | |
| 4 | DPR78-2972-01 | Media Guide Extensions Retrofit | |
| 5 | DPR78-2865-01 | Label Roll Holder Assy. Kit | |

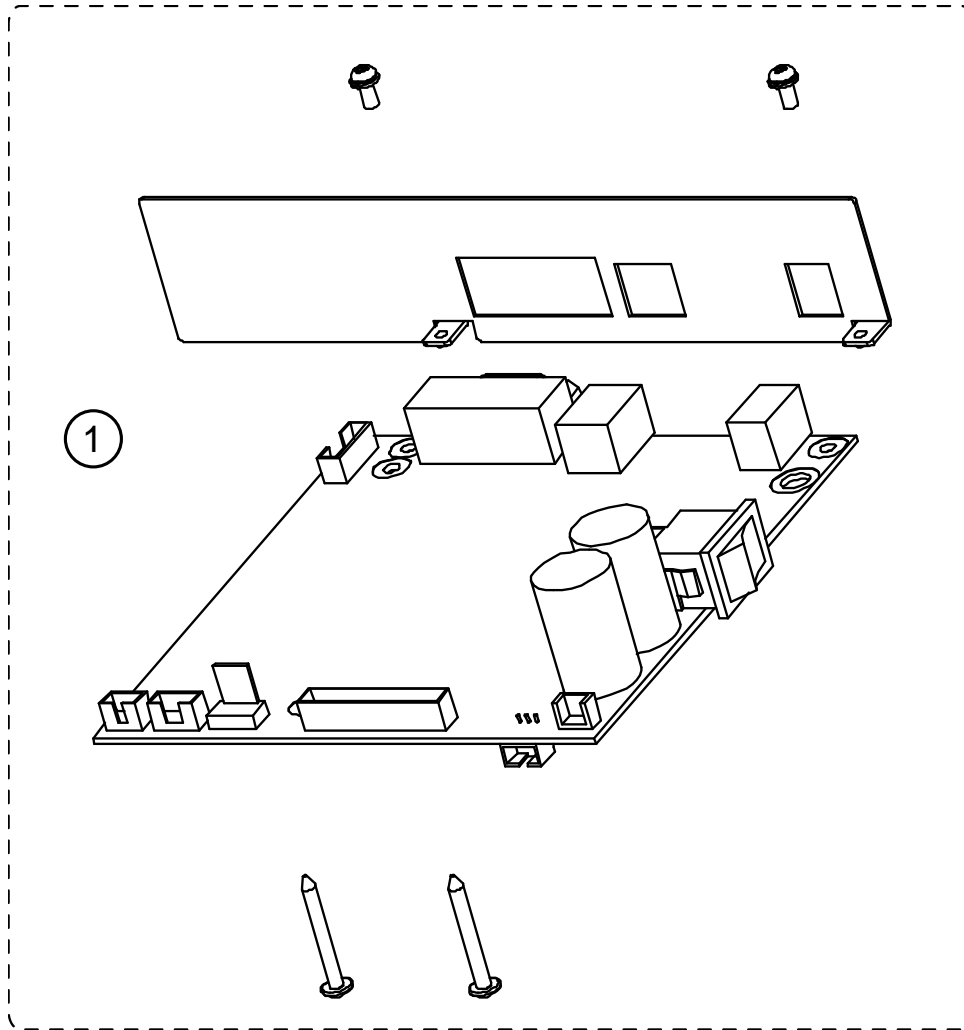
Lower Printer Mechanism Pro Plus

Professional Plus Models



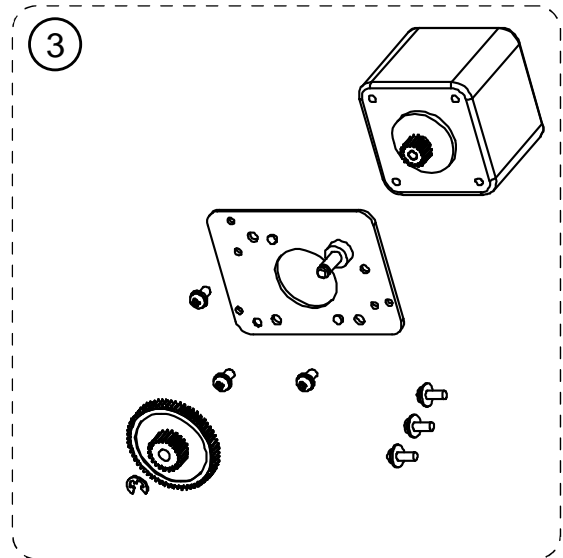
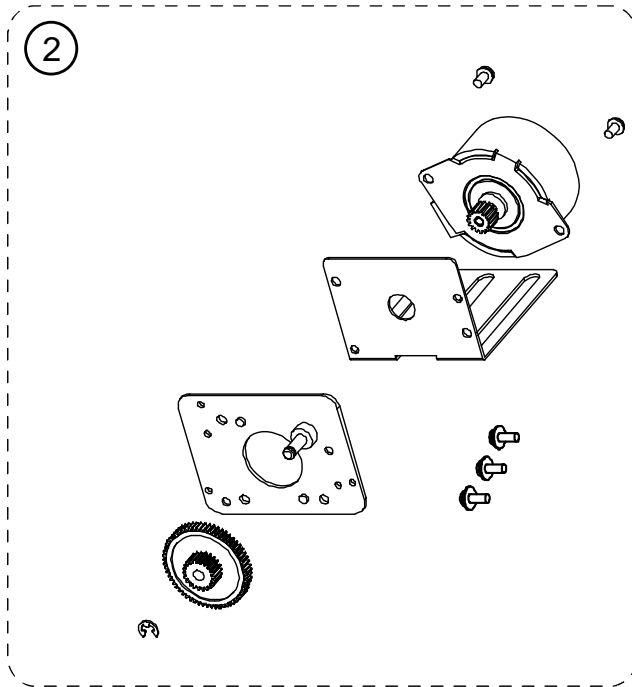
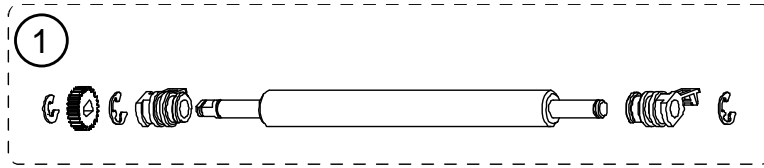
| # | Part# | Description | Notes |
|---|---------------|---------------------------------|----------------------------|
| 1 | DPR78-2945-01 | Base Assembly Pro Plus | <i>Shipped Unassembled</i> |
| 2 | DPO10-3189-01 | (40PK) Tapping Screw, 3 X 10 | |
| 3 | OPT78-2970-01 | Media Guide Extensions | |
| 4 | DPR78-2972-01 | Media Guide Extensions Retrofit | |

Main Board



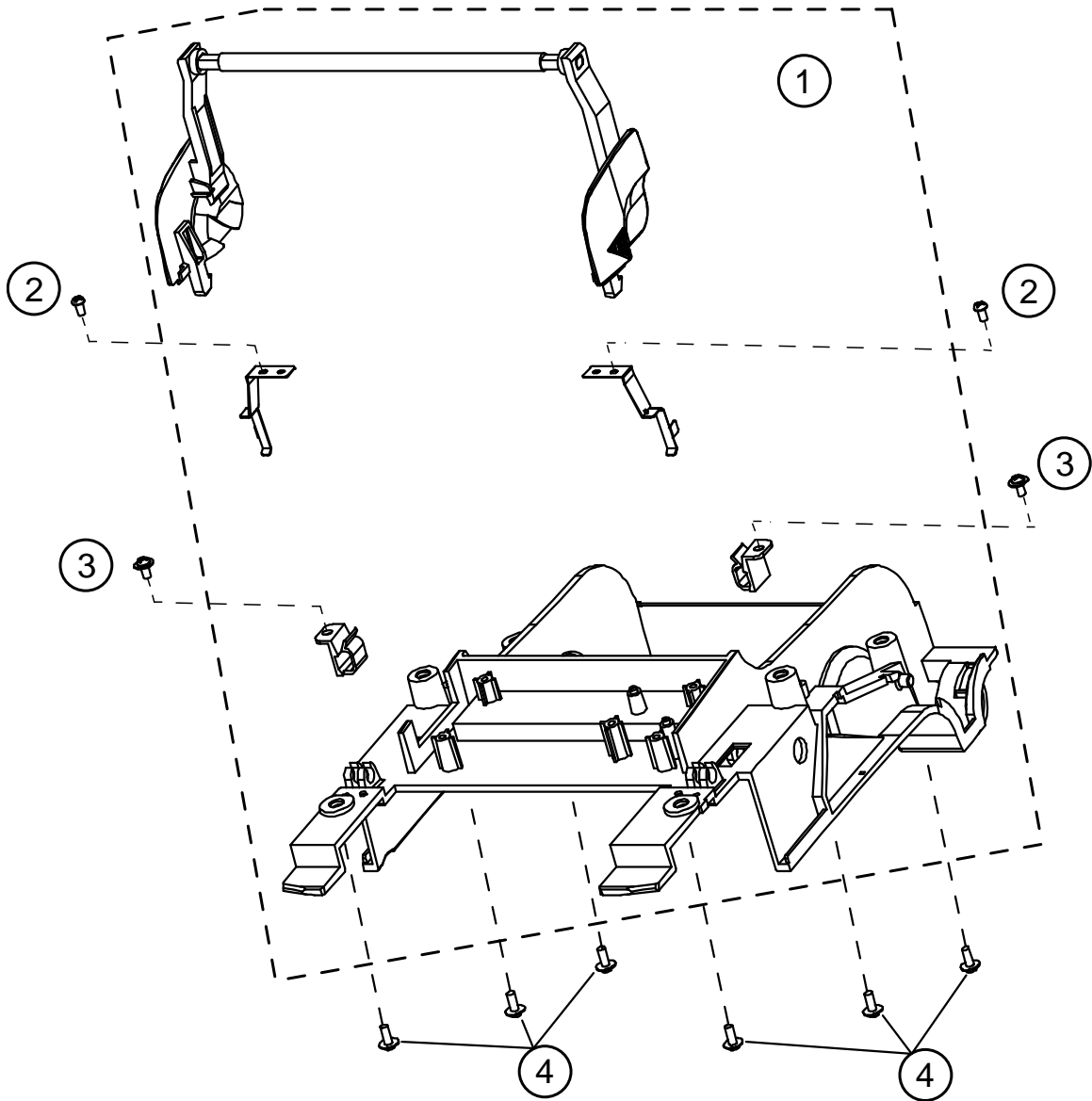
| # | Part# | Description | Notes |
|----|---------------|----------------------|--|
| 1 | DPR78-2853-02 | Main Board Assy. Kit | Basic Models; Serial# 3xxxxxxx or earlier |
| | DPR78-2853-03 | Main Board Assy. Kit | Basic Models; Serial# 4xxxxxxx or greater |
| | DPR78-2854-02 | Main Board Assy. Kit | Advanced Models; Serial# 3xxxxxxx or earlier |
| | DPR78-2854-03 | Main Board Assy. Kit | Advanced Models; Serial# 4xxxxxxx or greater |
| | DPR78-2855-01 | Main Board Assy. Kit | Professional/Plus Models |
| -- | DPR23-2014-02 | Battery, Lithium, 3V | |

Motor and Platen Assemblies



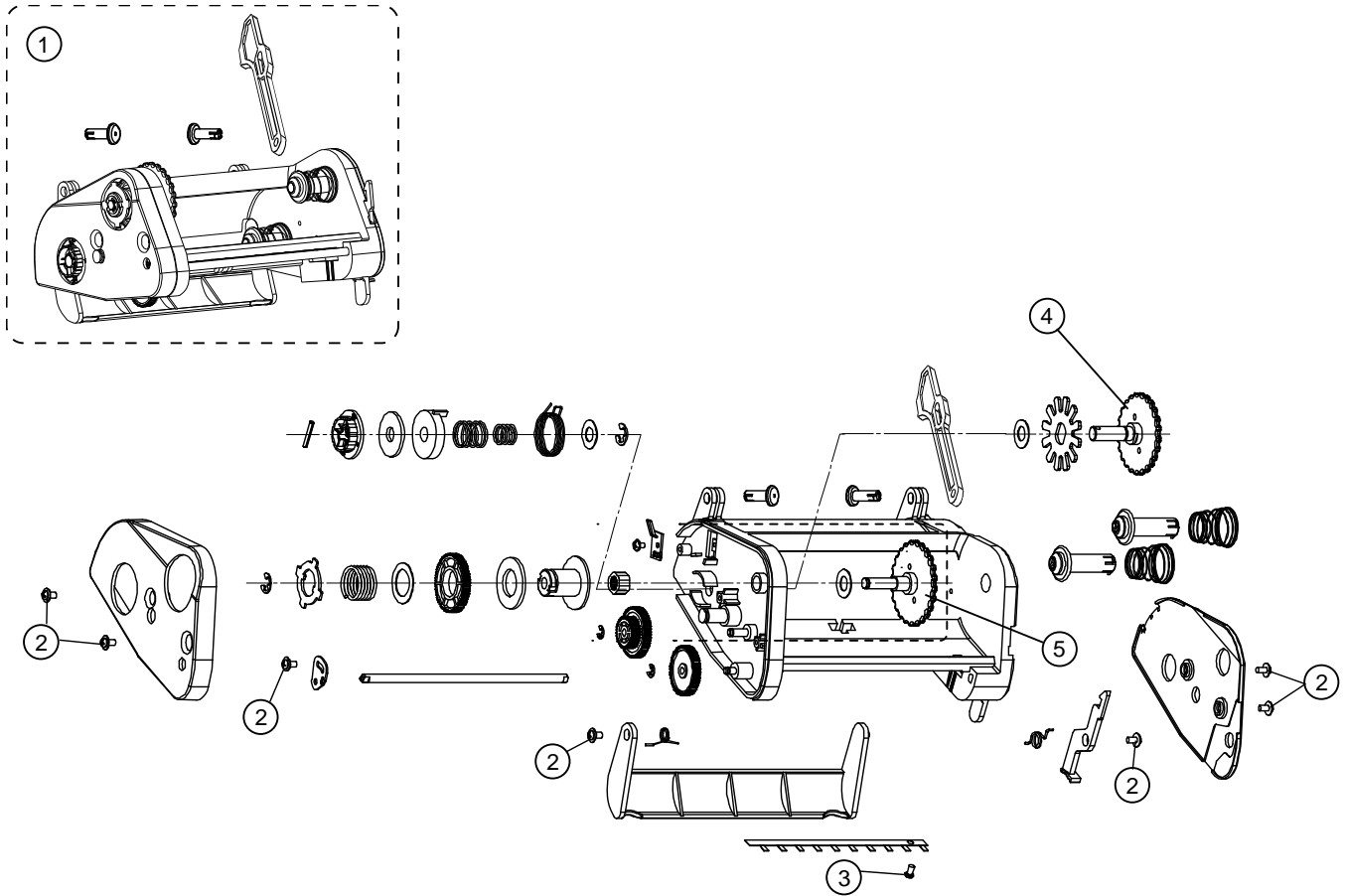
| # | Part# | Description | Notes |
|---|---------------|------------------------|---------------------------|
| 1 | ROL78-2867-01 | Platen Roller Assy Kit | |
| 2 | DPR78-2857-01 | Motor Assy Kit | Basic and Advanced Models |
| 3 | DPR78-2858-01 | Motor Assy Kit | Professional/Plus Models |

Upper Printer Mechanism 1 of 2



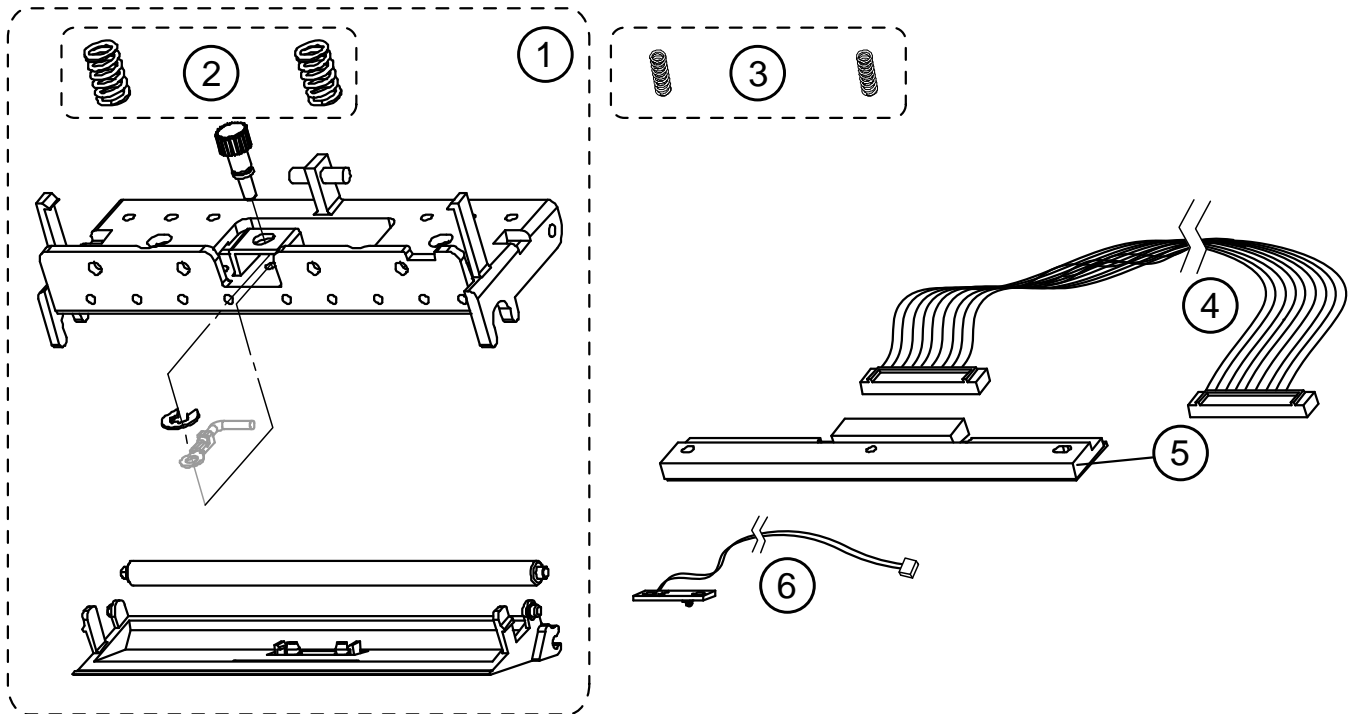
| # | Part# | Description | Notes |
|---|---------------|--|--|
| 1 | DPR78-2864-01 | Latch and Inner Enclosure Assy Kit, M5 | <i>Shipped Unassembled; Screws Not Included.</i> |
| | DPR78-2946-01 | Latch and Inner Enclosure Assy Kit, Pro Plus | |
| 2 | DPO10-3177-01 | (40PK) Tapping Screw 3 X 5 | |
| 3 | DPO10-3189-01 | (40PK) Tapping Screw, 3 X 10 | |
| 4 | DPO10-3179-01 | (40PK) Tapping Screw 3 X 8 | |

Upper Printer Mechanism 2 of 2



| # | Part# | Description | Notes |
|---|---------------|---|------------------------------------|
| 1 | DPR78-2880-01 | Thermal Transfer Ribbon Carriage Assy | Shipped Assembled; Screws Included |
| | DPR78-2947-01 | Thermal Transfer Ribbon Carriage Assy, Pro Plus | |
| 2 | DPO10-3178-01 | (40PK) Screw 3 X 6 | |
| 3 | DPO10-3177-01 | (40PK) Tapping Screw 3 X 5 | |
| 4 | DPR16-3276-01 | (2PK) Wheel, Ribbon Support | |
| 5 | DPR16-3217-01 | (2PK) Wheel, Ribbon-Rewind | |

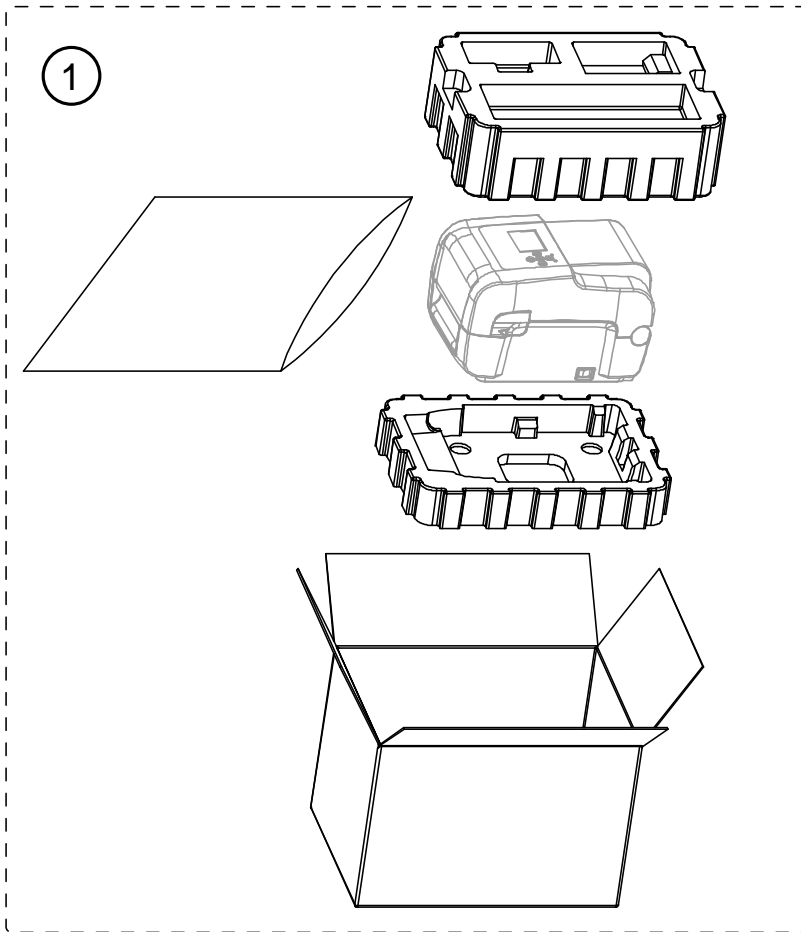
Printhead Assembly



| # | Part# | Description | Notes |
|---|---------------|---------------------------------|-------------------------------------|
| 1 | DPR78-2900-01 | Printhead Holder Assy | Shipped unassembled |
| 2 | DPO17-3177-01 | (10PK) Printhead Spring | 2 springs required for each printer |
| 3 | OPT78-2973-01 | (10PK) Printhead Spring Upgrade | Upgrades 5 printers |
| 4 | DPR32-2665-01 | Cable, TPH | |
| 5 | PHD20-2267-01 | Printhead, 203 DPI | |
| | PHD20-2268-01 | Printhead, 300 DPI | |
| 6 | DPR78-2844-01 | See Through Assy PCB | |

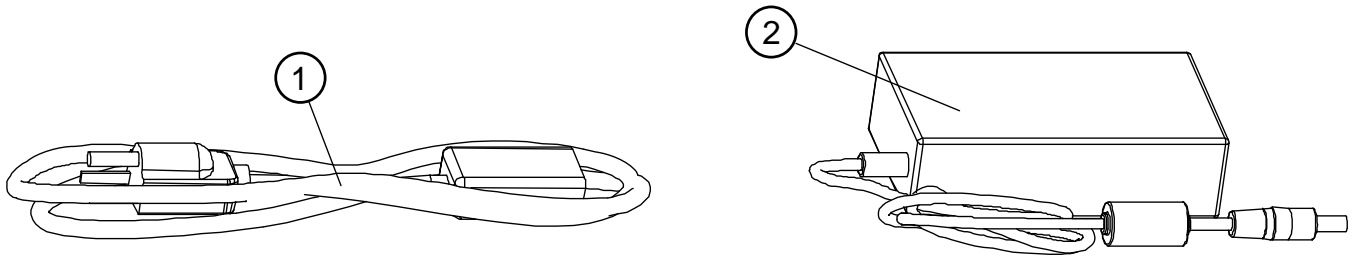
E-Class Mark III Options and Accessories

Box and Packing Materials



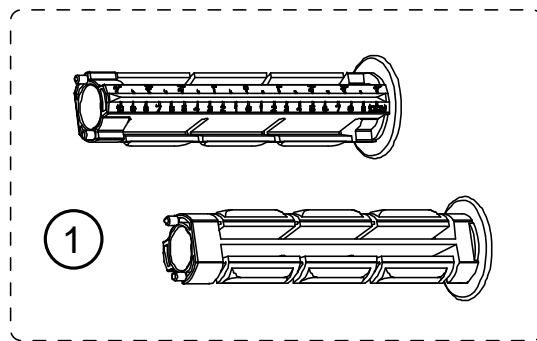
| # | Part# | Description | Notes |
|---|---------------|---------------------------|-------|
| 1 | DPO78-2882-01 | M3 Packing Box Assy | |
| 2 | DPO73-2477-01 | M3 Packing Box Assy, Pro+ | |

Power Supply and Cords



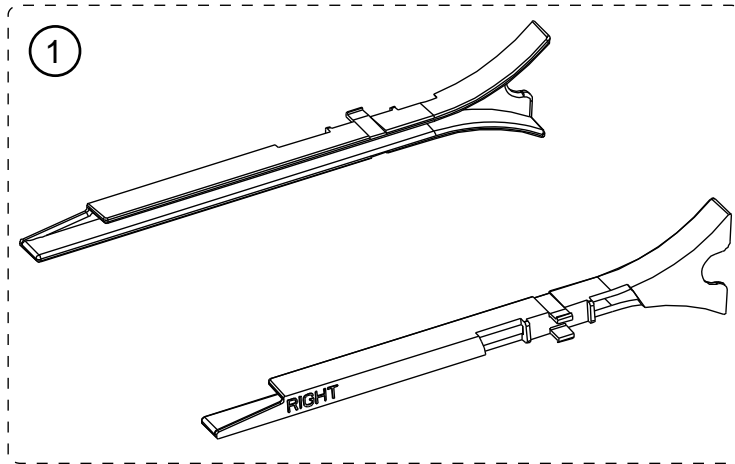
| # | Part# | Description | Notes |
|------------|---------------------|------------------------------|--|
| 1 | 32-2637-01 | South Africa Cord | |
| | 32-2638-01 | Israel Cord | |
| | 130063 | Us Power Cord | |
| | 32-2025-01 | British Power Cord | |
| | 586267 | European Power Cord | |
| | 32-2375-01 | Swiss Power Cord | |
| | 32-2683-01 | Chinese Power Cord | |
| | 32-2488-01 | Australian Power Cord | |
| | 32-2489-01 | Italian Power Cord | |
| | 32-2493-01 | Straight In Argentinean Cord | |
| | 32-2669-01 | Brazilian Power Cord | |
| 32-2275-01 | Japanese Power Cord | | |
| 2 | DPO78-2856-01 | Auto-Ranging Power Supply | All E-class Mark III Models Input: 100-240VAC |

Core Adapters



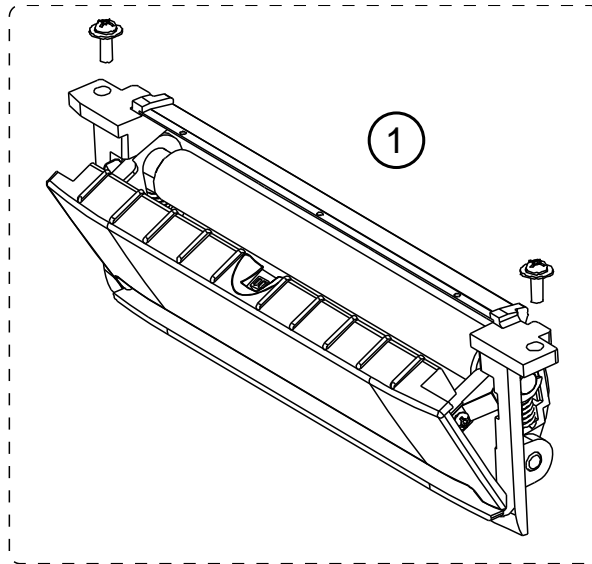
| # | Part# | Description | Notes |
|---|---------------|-------------------------|-------|
| 1 | DPO78-2868-01 | 1" Ribbon Core Adapters | |

Fan-Fold/External Media Guides



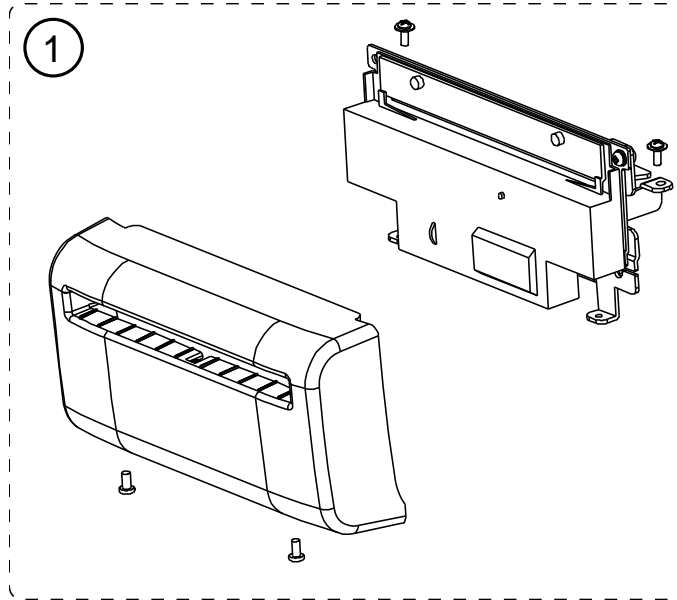
| # | Part# | Description | Notes |
|---|---------------|--------------------------------------|-------|
| 1 | DPO78-2842-01 | Fan-Fold/External Media Guide, 1 Set | |

Peeler Option



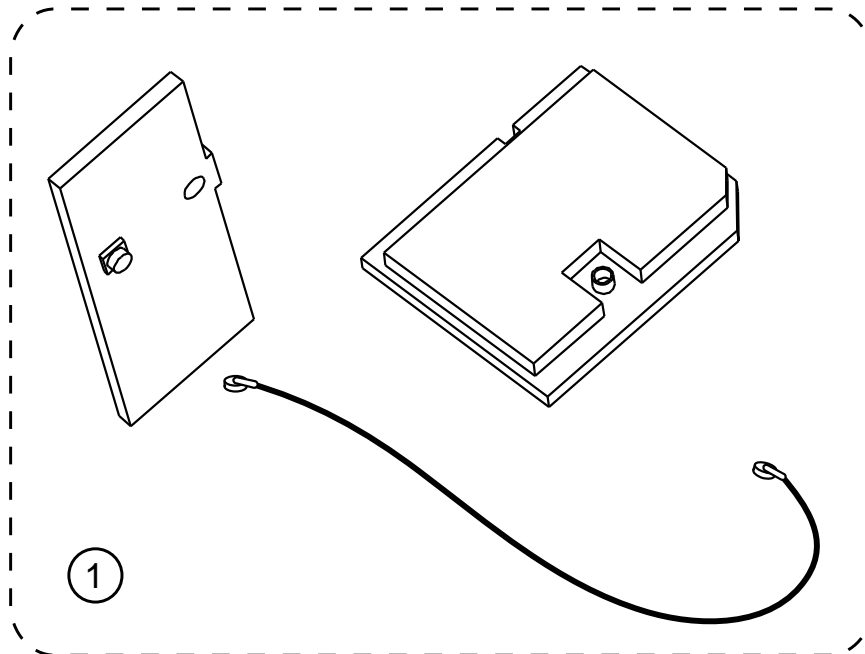
| # | Part# | Description | Notes |
|---|---------------|---------------------------|-----------------------------------|
| 1 | OPT78-2836-02 | Label Peeler Kit w/sensor | <i>Also Senses Label Tear-Off</i> |

Cutter Option



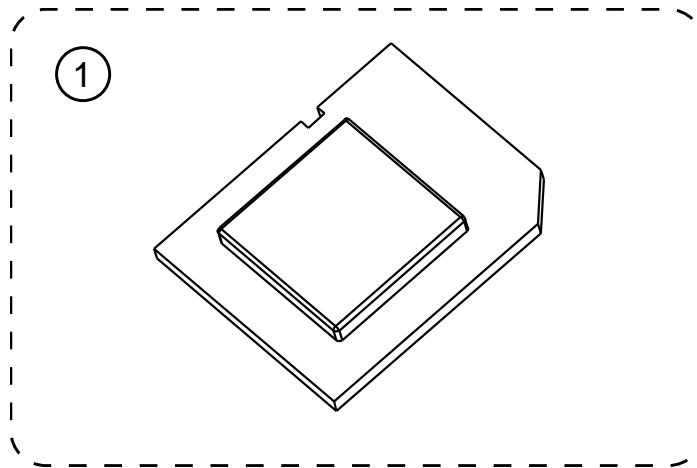
| # | Part# | Description | Notes |
|---|---------------|--|---------------------------------------|
| 1 | OPT78-2835-01 | Cutter Kit, Guillotine, w/sensor (not compatible with Basic model) | Advanced and Professional Models Only |

Wireless LAN Kit



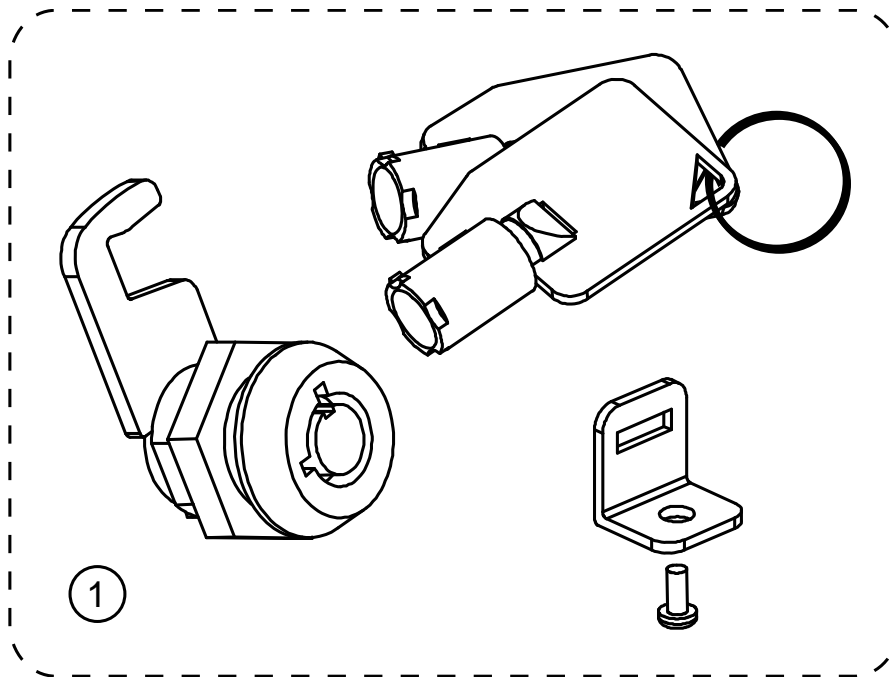
| # | Part# | Description | Notes |
|---|---------------|------------------|-----------------------|
| 1 | OPT78-2840-01 | Wireless LAN Kit | (Pro and Pro+ models) |

Bluetooth Kit



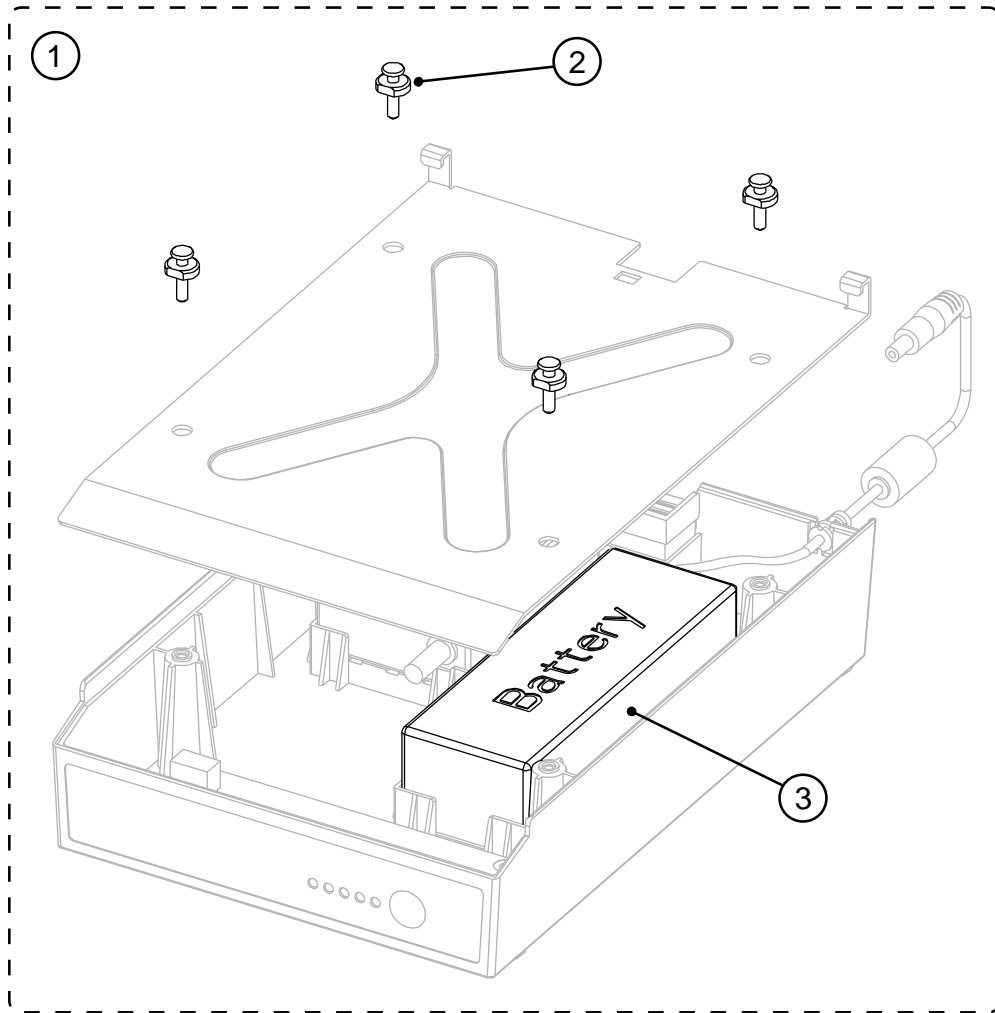
| # | Part# | Description | Notes |
|---|---------------|---------------|-----------------------|
| 1 | OPT78-2841-01 | Bluetooth Kit | (Pro and Pro+ models) |

Cabinet Lock w/Security Slot



| # | Part# | Description | Notes |
|---|---------------|-----------------------|--------------------|
| 1 | OPT78-2906-01 | EM3 Cabinet Lock Acc. | (Pro+ models only) |

MPU-4000 Mobile Power Unit



| # | Part# | Description | Notes |
|---|---------------|-------------------------------|-------|
| 1 | OPT78-2907-01 | MPU-4000 Mobile Power Unit | |
| 2 | DPO12-3529-01 | (4PK) Standoffs, MPU-4000 | |
| 3 | DPR23-2013-01 | Replacement Battery, MPU-4000 | |

