

**Honeywell**

# **EDA52/EDA5S Accessories**

Standard and Universal

---

**User Guide**

---

## Disclaimer

Honeywell International Inc. (“HII”) reserves the right to make changes in specifications and other information contained in this document without prior notice, and the reader should in all cases consult HII to determine whether any such changes have been made. HII makes no representation or warranties regarding the information provided in this publication.

HII shall not be liable for technical or editorial errors or omissions contained herein; nor for incidental or consequential damages resulting from the furnishing, performance, or use of this material. HII disclaims all responsibility for the selection and use of software and/or hardware to achieve intended results.

This document contains proprietary information that is protected by copyright. All rights are reserved. No part of this document may be photocopied, reproduced, or translated into another language without the prior written consent of HII.

Copyright © 2022 Honeywell Group of Companies. All rights reserved.

Web Address: [sps.honeywell.com](https://sps.honeywell.com)

## Trademarks

Other product names mentioned in this manual may be trademarks or registered trademarks of their respective companies and are the property of their respective owners.

## Patents

For patent information, see [www.hsmpats.com](https://www.hsmpats.com).

# TABLE OF CONTENTS

Customer Support .....	v
Technical Assistance .....	v
Product Service and Repair .....	v
Limited Warranty .....	v
<b>Chapter 1 - Introduction .....</b>	<b>1</b>
EDA52 Model Compatibility .....	2
List of Accessories .....	3
Standard Accessories.....	3
Universal Accessories .....	4
Agency Models.....	4
<b>Chapter 2 - Protective Boot.....</b>	<b>5</b>
Out of the Box .....	5
Attach the Protective Boot.....	5
Remove Protective Boot.....	6
<b>Chapter 3 - Scan Handle .....</b>	<b>7</b>
Features .....	7
Out of the Box .....	8
Attach Scan Handle.....	8
Scan a Bar Code.....	9
Remove Scan Handle.....	9

**Chapter 4 - Single Charging Dock..... 11**

- Features ..... 11
- Out of the Box..... 12
- Connect Power ..... 12
- Charge the Battery Pack ..... 13

**Chapter 5 - EDA5S Single Charging Dock..... 15**

- Features ..... 15
- Out of the Box..... 16
- Connect Power ..... 16
- Charge the Battery Pack ..... 18

**Chapter 6 - Charge Base..... 19**

- Features ..... 19
- Out of the Box..... 19
- Connect Power ..... 20
- Charge the Battery Pack ..... 20

**Chapter 7 - Universal Net Base..... 21**

- Features ..... 21
- Out of the Box..... 21
- Connect Power ..... 22
- Charge the Battery Pack ..... 22

**Chapter 8 - Universal Display Dock ..... 23**

- Features ..... 23
- Out of the Box..... 24
- Dock Connectors..... 24
  - Connect Power ..... 24
  - Connect to Monitor ..... 25
  - Connect to an Ethernet Network..... 25
  - Connect to a USB Device..... 25

Status LED .....	25
Check Software on Computer .....	25
Insert Computer into the Dock .....	26
Configure the Display Dock Settings .....	26
Set Display Dock Settings .....	26
Set Monitor Settings .....	27
Set Peripheral Settings.....	27
Set Mode Settings .....	27
Connected Devices.....	28
Monitor Connections .....	28
USB Devices.....	28
Clean the Dock.....	28
<b>Chapter 9 - Ethernet Base .....</b>	<b>29</b>
Features .....	29
Out of the Box.....	30
Connect Power .....	30
Charge the Battery Pack.....	31
<b>Chapter 10 - Quad Bay Battery Charger .....</b>	<b>33</b>
Features .....	33
Out of the Box.....	34
Connect Power .....	34
Charge the Battery Pack.....	35
<b>Chapter 11 - Universal Cups .....</b>	<b>37</b>
Out of the Box.....	37
Replacing a Universal Cup .....	38
<b>Chapter 12 - Snap-On USB Adapter.....</b>	<b>41</b>
Features .....	41
Out of the Box.....	41
Connect Power .....	42

Charge the Battery Pack ..... 42  
    Charge from a USB Port on a Host Device ..... 42  
    Charge with Optional Wall Charger (50130570-001) ..... 43

**Chapter 13 - Mount the Charging Dock ..... 45**

Mount the Charging Dock..... 45

# Customer Support

## Technical Assistance

To search our knowledge base for a solution or to log in to the Technical Support portal and report a problem, go to [sps.honeywell.com](https://sps.honeywell.com).

## Product Service and Repair

Honeywell International Inc. provides service for all of its products through service centers throughout the world. Go to [sps.honeywell.com](https://sps.honeywell.com) and select Support to find a service center near you or to get a Return Material Authorization number (RMA #) before returning a product.

## Limited Warranty

For warranty information, go to [sps.honeywell.com](https://sps.honeywell.com) and select **Support > Warranties**.





# INTRODUCTION

Honeywell offers a full range of universal and standard accessories for the EDA52 and EDA5S mobile computers, including:

- Protective Boot (see page 5)
- Scan Handle (see page 7)
- Single Charging Dock for one EDA52 device (see page 11)
- Single Charging Dock for one EDA5S device (see page 15)
- Charge Base (see page 19)
- Universal Net Base (see page 21)
- Display Dock (see page 23)
- Ethernet Base (see page 29)
- Quad Bay Battery Charger (see page 33)
- Replacement Cup for Universal Bases (see page 37)
- Snap-on USB Adapter (see page 41)

**Note:** *Throughout this manual, all versions of the mobile device are referred to as the computer unless information is specific to a particular model.*



**Caution:** We recommend the use of Honeywell accessories and power adapters. Use of any non-Honeywell accessories or power adapters may cause damage not covered by the warranty.

**Mise en garde :** Il est recommandé d'utiliser les périphériques, les cordons d'alimentation et les adaptateurs secteur conçus par Honeywell. L'utilisation de tout périphérique, cordon d'alimentation ou adaptateur secteur d'une autre marque est susceptible de provoquer des dommages non couverts par la garantie.



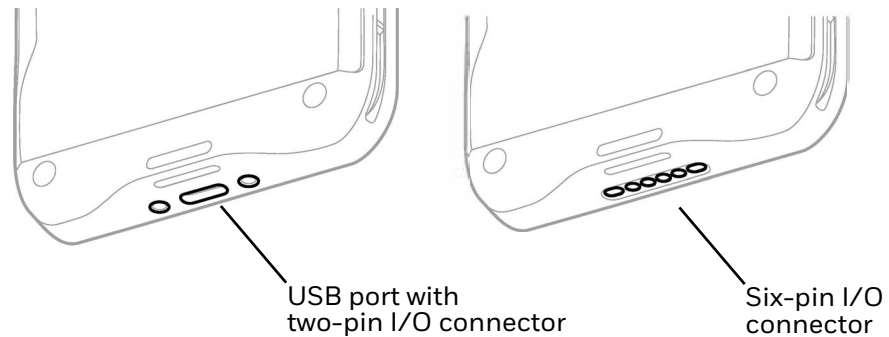
**Caution:** Make sure that all components are dry prior to using the computers and batteries with accessories. Using wet components may cause damage not covered by the warranty.

**Mise en garde :** Assurez-vous que tous les composants sont secs avant de connecter les terminaux/batteries à des périphériques. L'insertion de composants humides risque de provoquer des dommages non couverts par la garantie.

To learn about Battery Maintenance for Portable Devices, go to [honeywell.com/PSS-BatteryMaintenance](https://honeywell.com/PSS-BatteryMaintenance).

## EDA52 Model Compatibility

For the EDA52, compatibility with some accessories is based on the I/O connectors. Depending on the model, the computer will either have a six-pin I/O connector or a two-pin I/O connector with a USB port. If an accessory is only compatible with one type of model, it will be noted in the guide.



# List of Accessories

For a complete list of accessories for your mobile computer and their part numbers see the *Accessory Guide* for your device, available for download at [sps.honeywell.com](http://sps.honeywell.com).

Contact your local sales representative for ordering information.

## Standard Accessories

Standard accessories can only be used with the designated mobile computer or battery. The charging cup is fixed and cannot be removed.

**Note:** *EDA52 accessories are compatible with both two-pin and six-pin models unless noted otherwise.*

Accessory	Part Number	Use With
<b>Rubber Protective Boot</b>	EDA52-RB	EDA52
<b>Scan Handle</b>	EDA52-SH-R	EDA52
<b>Single Charging Dock</b>	EDA52-HB	EDA52 EDA5S
	EDA5S-HB	EDA5S
<b>Single Charging Dock</b>	EDA50-HB-R	EDA52 with EDA52-ADC adapter
<b>Quad Bay Battery Charger</b>	EDA52-QBC	EDA52 EDA5S
<b>Quad Bay Charging Base</b>	EDA52-CB	EDA52 EDA5S
<b>Snap-on USB Adapter</b>	EDA52-SN	EDA52 - Six-pin model only
<b>Backwards Adapter</b>	EDA52-ADC	EDA52 To work with EDA50/EDA51 accessories.
x = Kit variations. See product Accessory Guide for additional details.		

**Note:** *For information on EDA52 RFID Bracket options for your Honeywell RFID reader, refer to the RFID reader user guide. Product documentation is available for download at [sps.honeywell.com](http://sps.honeywell.com).*

## Universal Accessories

Universal accessories share a common base and have a charging cup that can be removed and replaced with the universal cup for a compatible mobile device. The part number for a universal charging base contains “UVN” or “UVB”. See [Universal Cups](#) on page 37 for more information. Universal Cup EDA52-UCP can be used to allow EDA52 mobile computers to be compatible with CT40 series accessories with Universal Docks.

Accessory	Part Number	Use With
<b>Universal Non-Booted Net Base</b>	EDA52-NB-UVN	EDA52 - Six-pin model only
<b>Universal Non-Booted Display Dock</b>	EDA52-DB-UVN	EDA52 - Six-pin model only
<b>Universal Non-Booted Ethernet Base</b>	EDA52-EB-UN	EDA52 - Six-pin model only
<b>Universal Cup</b>	EDA52-UCP	EDA52 to work with CT40 series universal docks Six-pin model only

x = Kit variations. See product Accessory Guide for additional details.

## Agency Models

EDA52-SH, EDA52-HB, EDA5S-HB, EDA52-CB, EDA52-NB, EDA52-DB,  
EDA52-SN, EDA52-QBC, EDA52-EB

# PROTECTIVE BOOT

Honeywell offers the following rubber protective boot for use with the EDA52 mobile computer:

- EDA52-RB-0

## Out of the Box

Make sure that your shipping box contains the following:

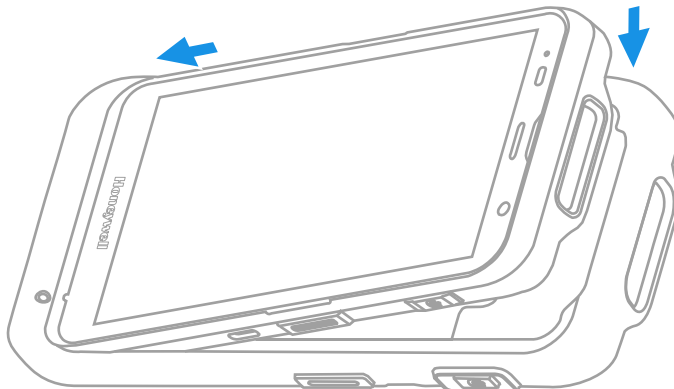
- Rubber Protective Boot (EDA52-RB-0)

If any items are missing or appear damaged, contact your Customer Account Representative. Keep the original packaging in the event that you need to return the Protective Boot for service or if you want to store the charger while not in use.

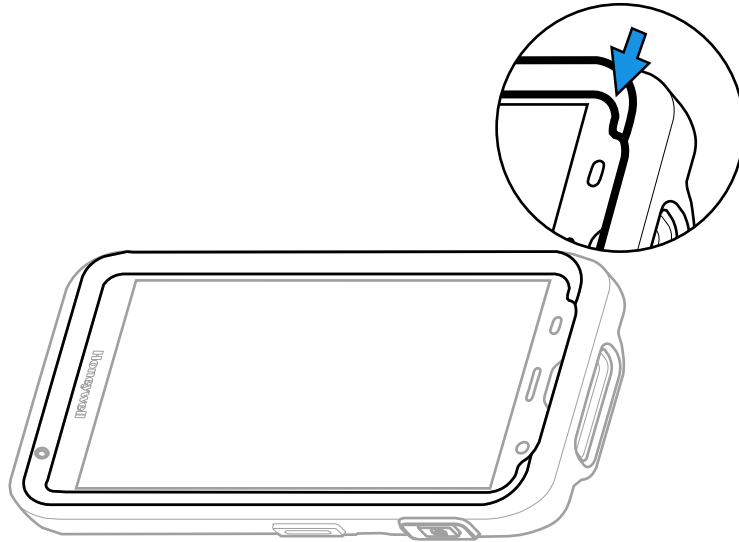
## Attach the Protective Boot

**Note:** When used with a scan handle, the hand strap should be removed prior to installation.

1. Insert the computer into the bottom of the boot and press down evenly.



2. Verify the boot lip overlaps the front of the device.



## Remove Protective Boot

**Note:** *The protective boot does not need to be removed for battery replacement or charging with a compatible base (see page 3).*

Routinely inspect the protective boot for damage, and replace if needed. See [page 3](#) to determine the appropriate replacement boot for your computer.

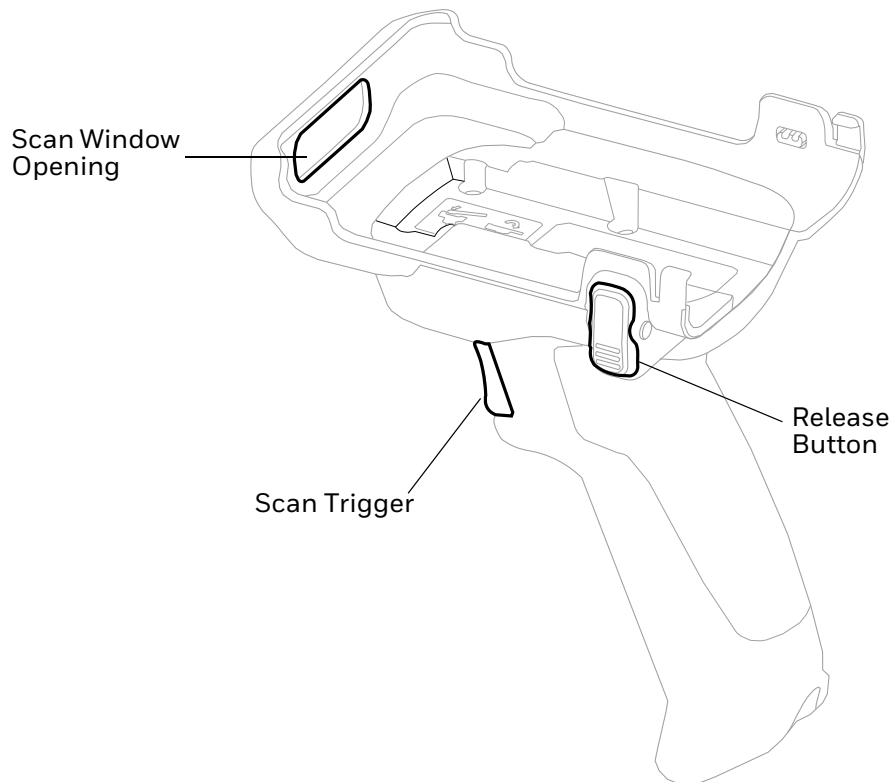
1. Hold the unit on both sides with the screen facing toward you. Use your thumbs to apply even pressure to the upper lip of the boot.
2. Apply gentle pressure to the back of the unit to release the top of the unit from the boot.
3. Lift the unit up and out of the bottom of the boot.

## SCAN HANDLE

A scan handle attaches to the mobile computer to provide handle grip and pull-trigger for barcode scanning. Honeywell offers the following scan handle for the EDA52:

- EDA52-SH-R

## Features



# Out of the Box

Make sure that your shipping box contains the following:

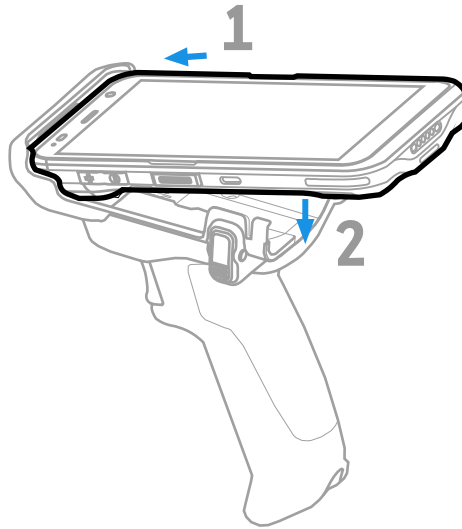
- Scan Handle (EDA52-SH-R)

If any items are missing or appear damaged, contact your Customer Account Representative. Keep the original packaging in the event that you need to return the Scan Handle for service or if you want to store the scan handle while not in use.

## Attach Scan Handle

The EDA52-SH-R is compatible with an EDA52 without a protective boot attached.

1. Insert the top of the EDA52 into the handle at a slight angle.
2. Push the unit down until the latches engage.

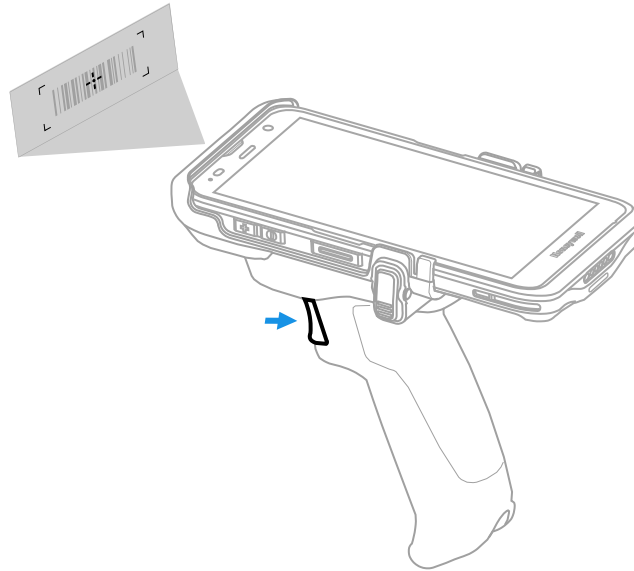


**Note:** Scan handle may differ slightly from illustration depending on model.



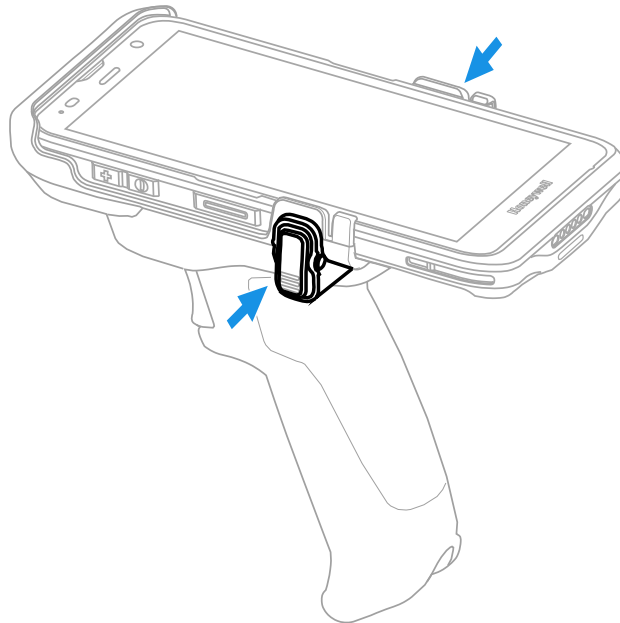
# Scan a Bar Code

Press the trigger on the handle to scan a bar code.

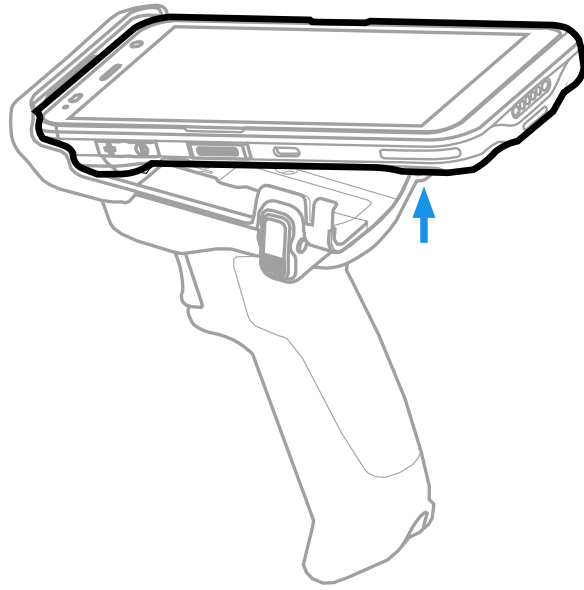


# Remove Scan Handle

1. Press the release buttons on both sides.



2. Lift unit out.

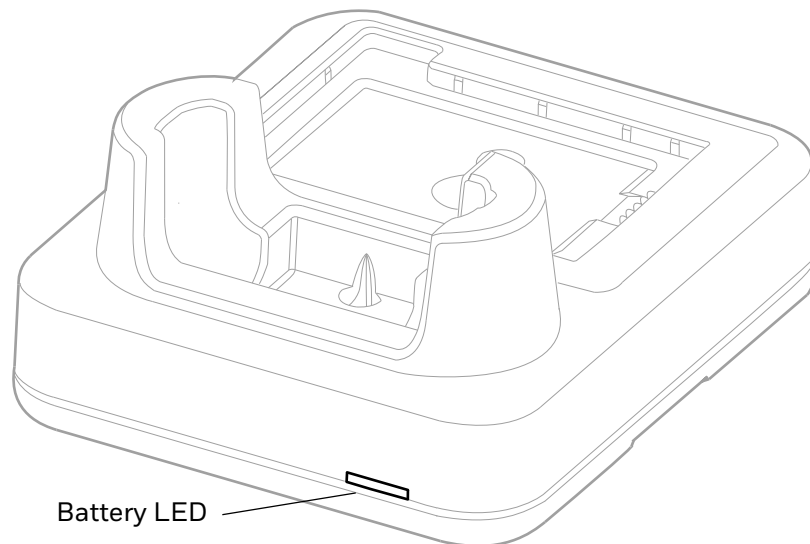


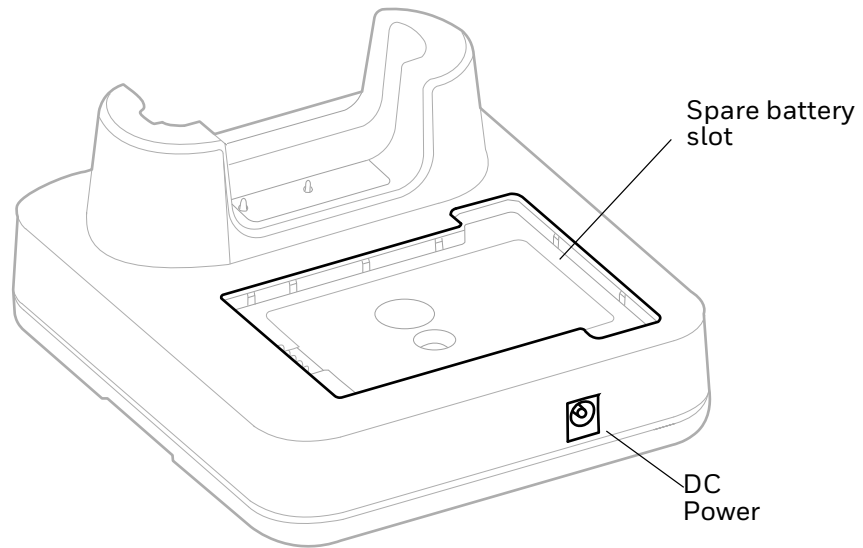
# SINGLE CHARGING DOCK

A Home Base is a single charging dock for one mobile computer. The EDA52-HB also includes a slot to charge a spare battery. The EDA52-HB Single Charging Dock must be used with a computer without a boot attached.

The EDA52-HB Single Charging Dock is compatible with an EDA52 or EDA5S mobile computer. The EDA52-HB Single Charging Dock is also compatible with the EDA52-SH scan handle.

## Features





## Out of the Box

Make sure that your shipping box contains these items:

- Single Charging dock (EDA52-HB)
- Product documentation

If any of these items are missing or appear damaged, contact your Customer Account Representative. Keep the original packaging in the event that you need to return the base for service or if you want to store the charger while not in use.

## Connect Power

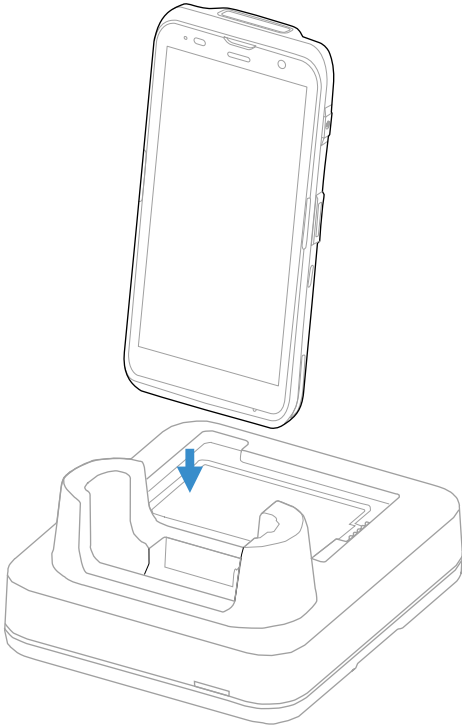
Use only a UL Listed power cord that has been qualified by Honeywell with an output rated at 12 VDC and 3 A. The power supply input rating is 90-264 VAC, 50/60 Hz. The operating temperature is -10 °C to 50 °C (14 °F to 122 °F). The maximum output of the base is 5VDC/2A.

1. Plug the power cord into the power supply.
2. Plug the power supply cable into the power connector on the back of the base.
3. Plug the power cord into a standard wall outlet.

**Note:** *Inadequate source current may lengthen the charge time or prevent the battery from charging if the terminal is drawing more current than supplied by the USB port.*

# Charge the Battery Pack

Insert computer into Home Base (EDA52-HB). Unit will not charge unless a battery is installed.





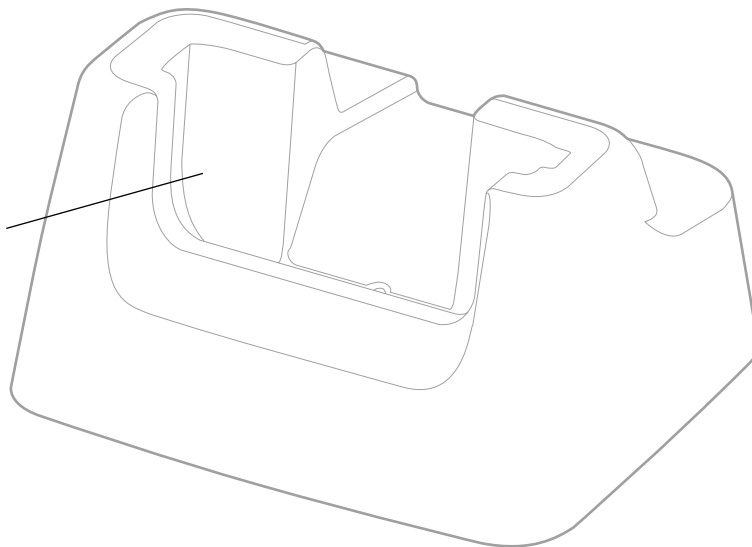
# EDA5S SINGLE CHARGING DOCK

A Home Base is a single charging dock for one mobile computer. The EDA5S-HB Single Charging Dock must be used with a computer without a boot attached.

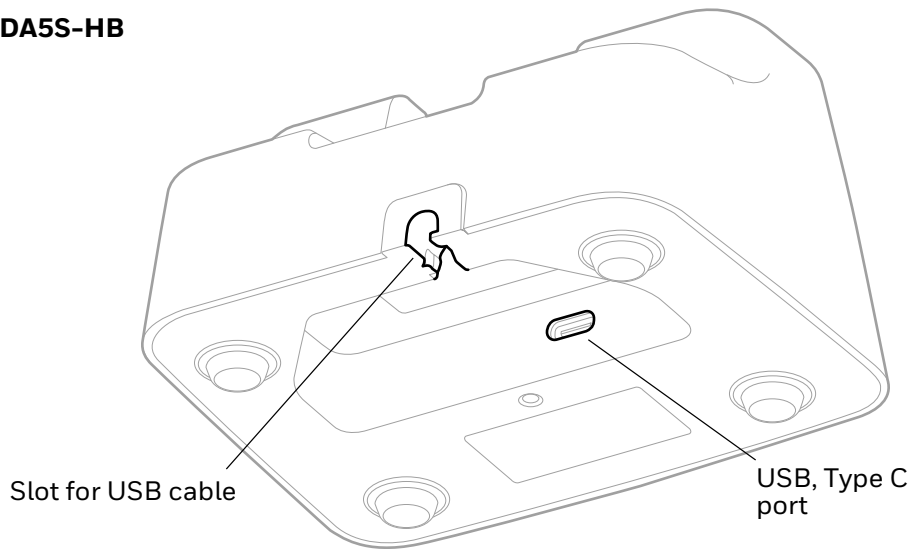
## Features

### EDA5S-HB

Charging cup



## EDA5S-HB



## Out of the Box

Make sure that your shipping box contains these items:

- Single Charging dock (EDA5S-HB)
- USB cable
- Product documentation

If any of these items are missing or appear damaged, contact your Customer Account Representative. Keep the original packaging in the event that you need to return the base for service or if you want to store the charger while not in use.

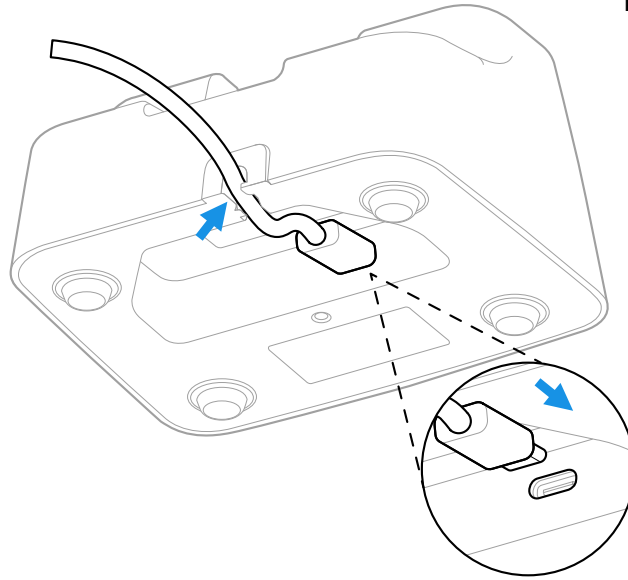
## Connect Power

Use only a UL Listed power cord that has been qualified by Honeywell with an output rated at 12 VDC and 3 A. The power supply input rating is 90-264 VAC, 50/60 Hz. The operating temperature is -10 °C to 50 °C (14 °F to 122 °F). The maximum output of the base is 5VDC/2A.



1. Plug the supplied USB cable into the USB port in the bottom of the base.

**EDA5S-HB**



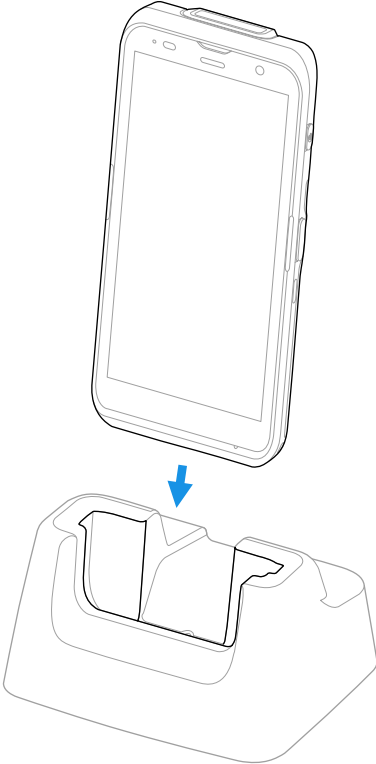
2. Connect the USB cable to a personal computer or plug the USB cable into the wall charger (P/N 50130570-001, sold separately) and plug the wall charger into a standard wall outlet.

**Note:** *Inadequate source current may lengthen the charge time or prevent the battery from charging if the terminal is drawing more current than supplied by the USB port.*

# Charge the Battery Pack

Insert computer into the Home Base. Unit will not charge unless a battery is installed.

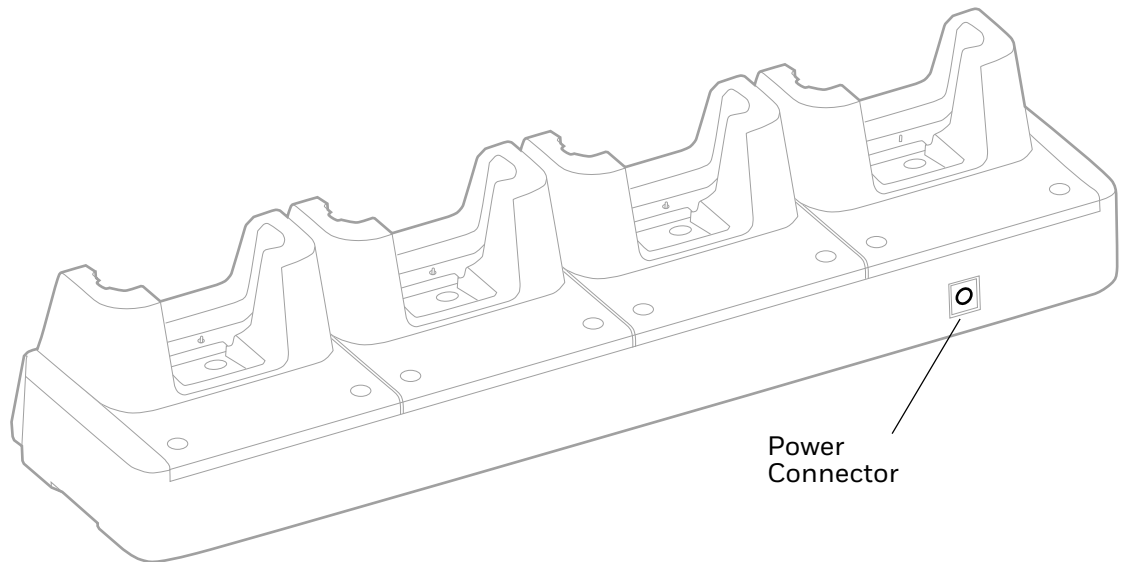
**EDA5S-HB**



# CHARGE BASE

Quad Bay Charging Base EDA52-CB charges up to four mobile computers. EDA52-CB is compatible with both EDA52 and EDA5S mobile computers.

## Features



## Out of the Box

Make sure that your shipping box contains these items:

- Charge Base (EDA52-CB)
- Power supply
- Power cord (if purchased)
- Product documentation

If any of these items are missing or appear damaged, contact your Customer Account Representative. Keep the original packaging in the event that you need to return the base for service or if you want to store the charger while not in use.

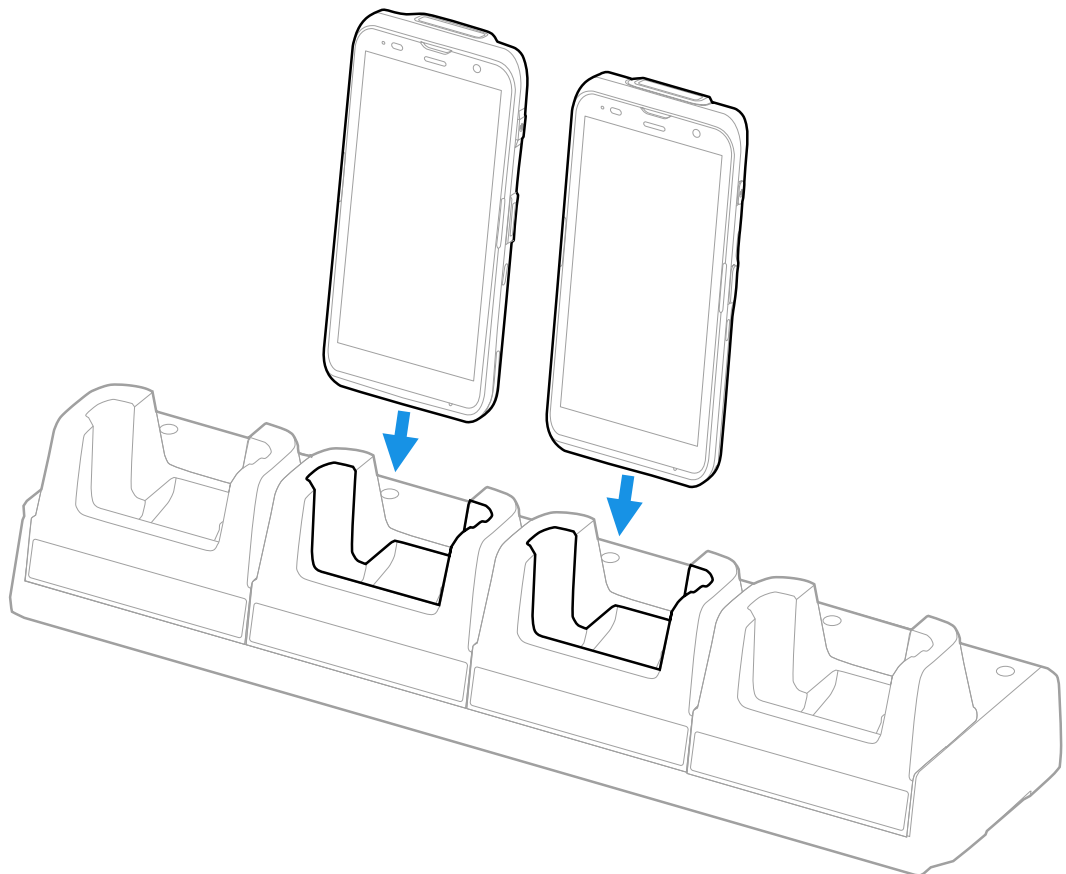
## Connect Power

Use only a UL Listed power supply that has been qualified by Honeywell with an output rated at 12V/7A. The power supply input rating is 100-240 VAC, 50/60 Hz. The operating temperature is -10 °C to 50 °C (14 °F to 122 °F).

1. Plug the power cord into the power supply.
2. Plug the power supply cable into the power connector on the back of the base.
3. Plug the power cord into a standard wall outlet.

## Charge the Battery Pack

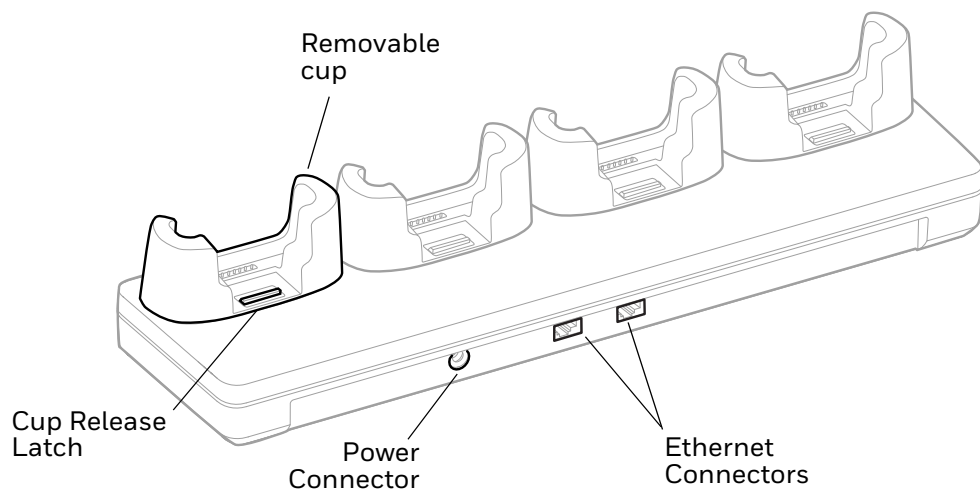
Insert device with battery installed into the Charge Base.



# UNIVERSAL NET BASE

Universal Ethernet (Net) Base EDA52-NB-UVN holds four non-booted mobile computers and functions as both a charge and communication base with two RJ45 Ethernet ports.

## Features



## Out of the Box

Make sure that your shipping box contains these items:

- Ethernet Base (EDA52-NB-UVN)
- Power supply
- Power cord (if purchased)
- Product documentation

If any of these items are missing or appear damaged, contact your Customer Account Representative. Keep the original packaging in the event that you need to return the base for service or if you want to store the charger while not in use.

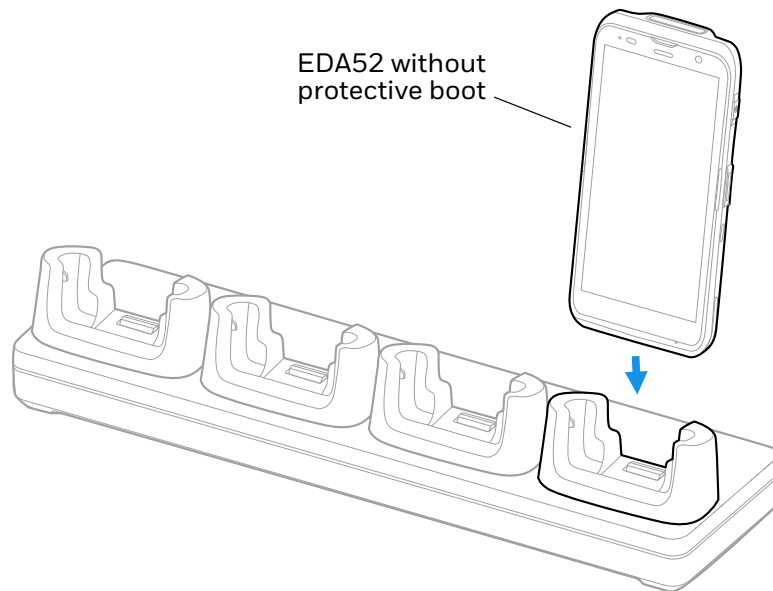
## Connect Power

Use only a UL Listed power supply that has been qualified by Honeywell with an output rated at 12V/7A. The power supply input rating is 100-240 VAC, 50/60 Hz. The operating temperature is -10 °C to 50 °C (14 °F to 122 °F).

1. Plug the power cord into the power supply.
2. Plug the power supply cable into the power connector on the back of the base.
3. Plug the power cord into a standard wall outlet.

## Charge the Battery Pack

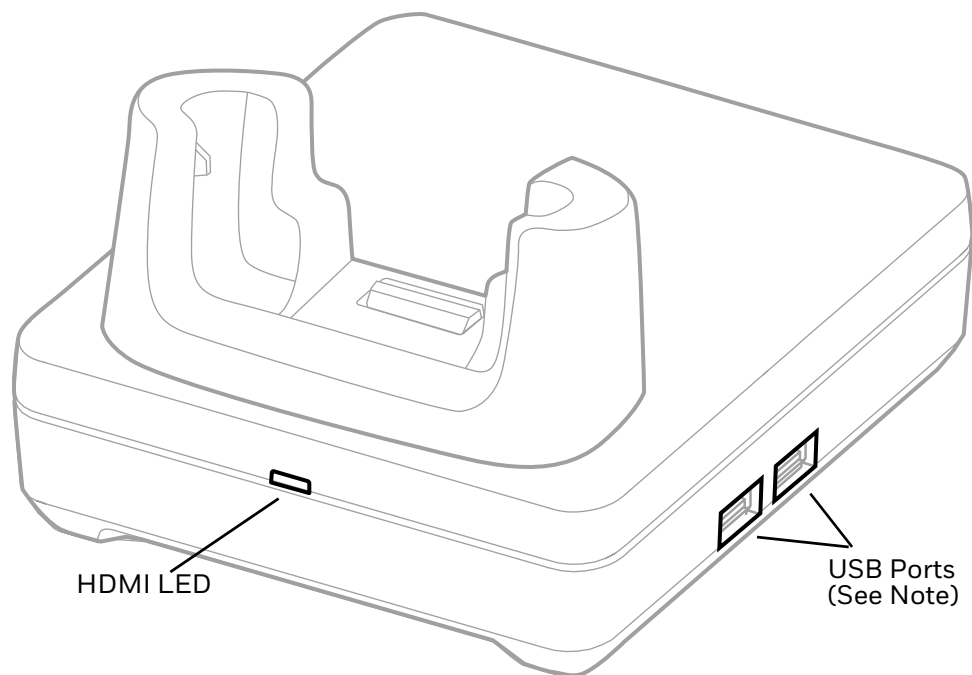
Insert device with battery installed into the Net Base.

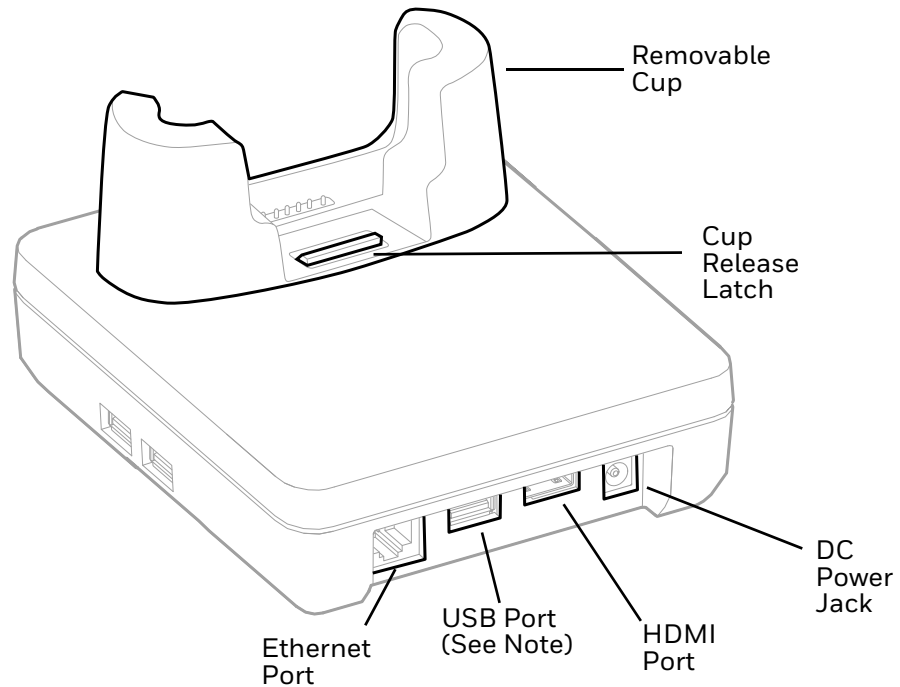


# UNIVERSAL DISPLAY DOCK

An EDA52-DB-UVN display dock allows an EDA52 to become a personal computer. A monitor, keyboard, mouse, and audio can be connected through the dock via the USB ports. The dock also provides an Ethernet connection.

## Features





**Note:** The display dock supports USB direct connections only. The dock does not support USB hub connections, including keyboards with USB port(s).

## Out of the Box

Make sure that your shipping box contains these items:

- EDA52 Display Dock (EDA52-DB-UVN)
- Power cord
- Regulatory Sheet

If any of these items are missing or appear damaged, contact your Customer Account Representative. Keep the original packaging in the event that you need to return the dock for service or if you want to store the charger while not in use.

## Dock Connectors

### Connect Power

Use only a UL Listed power supply that has been qualified by Honeywell with an output rated at 12 VDC and 3 A. The power supply input rating is 100-240 VAC, 50/60 Hz. The operating temperature is -10°C to 50°C (14°F to 122°F). The maximum output of the base is 5VDC/2A.



1. Plug the power cord into the power supply.
2. Plug the power supply cable into the power jack on the back of the dock.
3. Plug the power cord into a standard wall outlet.

## Connect to Monitor

**Note:** See [Monitor Connections](#) on page 28 for a list of approved connections.

1. Plug the HDMI cable into the dock.
2. Plug the other end of the HDMI cable into the monitor.

## Connect to an Ethernet Network

1. Plug the Ethernet cable into the dock.
2. Place the computer in the dock.

**Note:** For advanced Ethernet settings, go to [sps.honeywell.com](https://sps.honeywell.com) for the EDA52 User Guide.

## Connect to a USB Device

**Note:** See [USB Devices](#) on page 28 for a list of approved USB devices.

**Note:** The dock supports USB direct connections only. The dock does not support USB hub connections, including keyboards with USB port(s).

Plug the USB type A cable into a USB port on the dock.

## Status LED

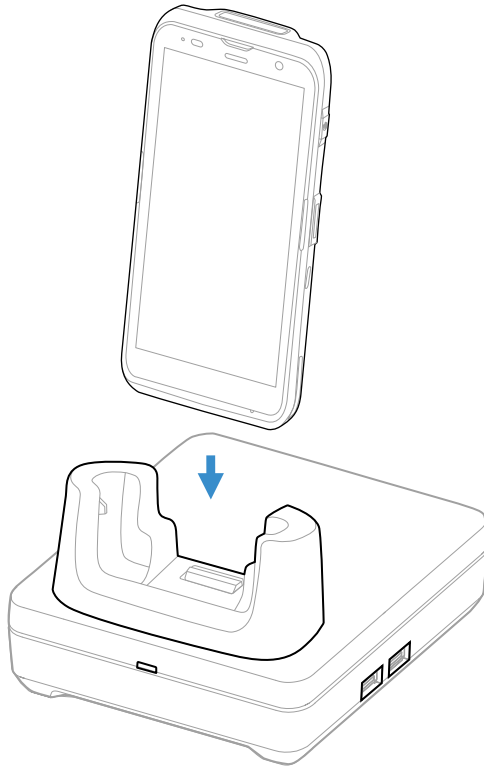
Status	Description
Constant Green	The dock is connected through HDMI.
Off	The dock is not connected or lost connection through HDMI.

## Check Software on Computer

Computers powered by Android 8 or higher have the DisplayLink software installed by Honeywell.

# Insert Computer into the Dock

Ensure the EDA52 is fully seated into the dock.



The first time you insert the computer into the dock, prompts appear on the screen. Follow the prompts on the screen to:

- Set default for DisplayLink Presenter to open when the USB device is connected.
- Start capturing everything that is displayed on your screen.

**Note:** *These prompts no longer appear when you insert the EDA52 into the dock unless you left “Don’t show again” unchecked.*

The computer will automatically change to landscape and the resolution will update to the monitor settings.

## Configure the Display Dock Settings

You can configure the parameters on the computer for the Display Dock using the Display Dock Settings app.

### Set Display Dock Settings

The Display Dock Settings app is available from the all apps menu under Settings.

1. Swipe up from the bottom of the Home screen to access all apps.
2. Tap **Settings** > **Honeywell Settings** > **Display Dock Setting**.

## Set Monitor Settings

1. Swipe up from the bottom of the Home screen to access all apps.
2. Tap **Settings** > **Honeywell Settings** > **Display Dock Setting**.
3. Choose one of the following options to set the view:
  - Tap **System portrait screen**, to have the computer stay in portrait view.
  - Tap **System landscape screen**, to have the computer stay in landscape view.
4. To set the system resolution, tap **Resolution** and choose one of the following options:
  - **1080 x 1920**
  - **720 x 1280**
5. To set the density, tap **Density** and chose one of the following options:
  - **160**
  - **240**
  - **320**
  - **400**

## Set Peripheral Settings

1. Swipe up from the bottom of the Home screen to access all apps.
2. Tap **Settings** > **Honeywell Settings** > **Display Dock Setting**.
3. To set the right mouse button to the back key, tap **Right mouse button** to toggle the feature on or off.
4. Tap **HDMI audio** to toggle between  **Sound to terminal** or  **Sound to external monitor**.

## Set Mode Settings

1. Swipe up from the bottom of the Home screen to access all apps.
2. Tap **Settings** > **Honeywell Settings** > **Display Dock Setting**.
3. To set the external monitor mode:
  - Select **Primary Mode** to automatically adjust as configured in settings or
  - Select **Mirror mode** to match the terminals settings.

# Connected Devices

## Monitor Connections

### Supported Devices

- HDMI versions 1.4 and above
- VGA - supported through HDMI/VGA converter
- DVI - supported through HDMI/DVI converter

### Non-Supported Devices

- HDMI splitter for two monitors
- Display Port

## USB Devices

### Supported Devices

- Standard three button mouse with scroll
- Standard QWERTY keyboard without HUB/USB type A ports on the keyboard
- USB headset/USB to 3.5mm audio converter
- USB mass storage devices (thumb drives), not recommended for large transfers (over 1GB)

### Non-Supported Devices

- USB Hubs
- USB devices with additional USB type A ports

## Clean the Dock

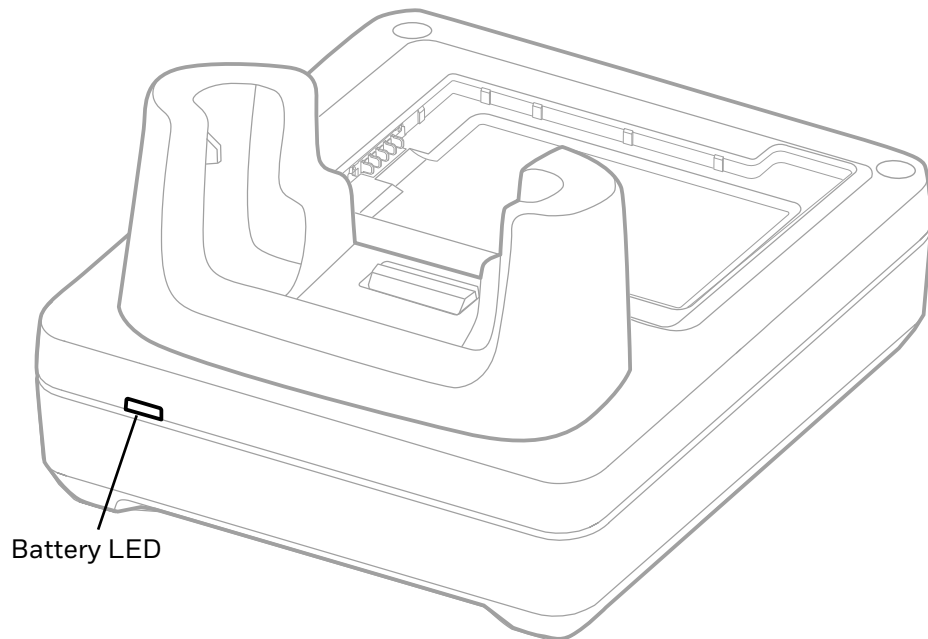
You may need to clean the dock to keep the dock in good working order. Clean the dock as often as needed for the environment in which you are using the dock with a dry soft cloth.

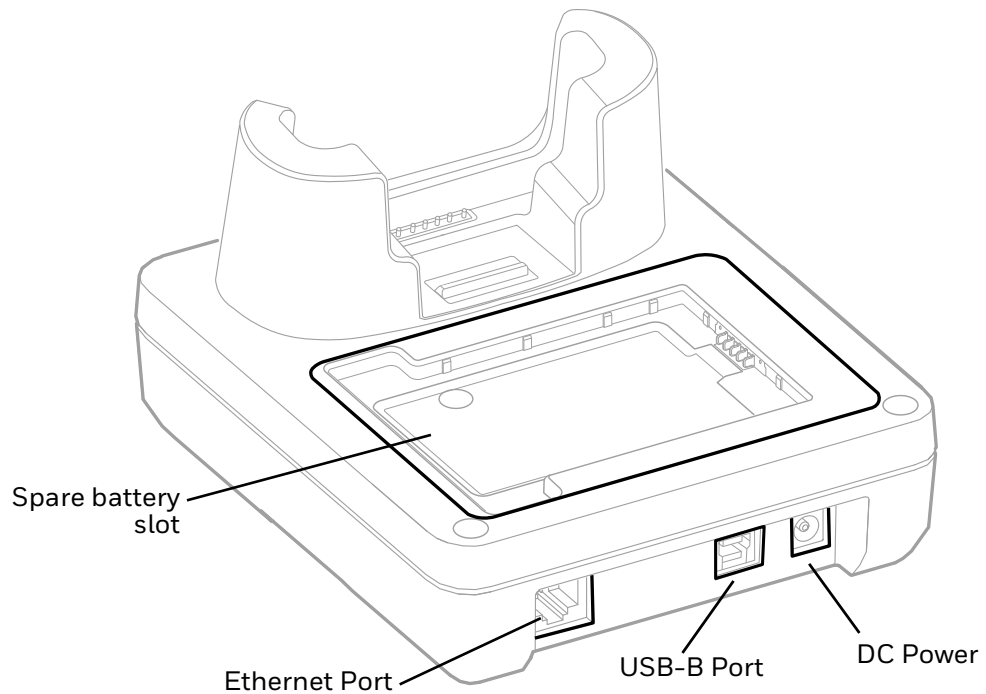
# ETHERNET BASE

An Ethernet Home Base is a charge/communication base for one mobile computer and one spare battery. The Ethernet Base has an Ethernet connector as well as a USB client connector (Type B). The EDA52-EB-UN Ethernet Base must be used with a computer without a boot attached.

The EDA52-EB-UN Ethernet Base is compatible with six-pin EDA52 mobile computers only.

## Features





## Out of the Box

Make sure that your shipping box contains these items:

- Ethernet Base (EDA52-EB-UN)
- Power cord (model dependent)
- Product documentation

If any of these items are missing or appear damaged, contact your Customer Account Representative. Keep the original packaging in the event that you need to return the base for service or if you want to store the charger while not in use.

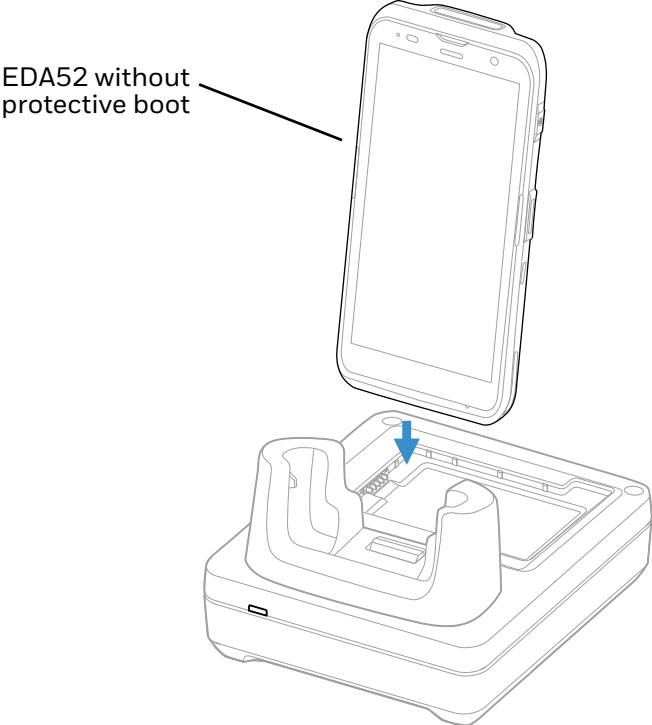
## Connect Power

Use only a UL Listed power supply that has been qualified by Honeywell with an output rated at 12VDC and 3A. The power supply input rating is 100-240 VAC, 50/60 Hz. The operating temperature is -10 °C to 50 °C (14 °F to 122 °F).

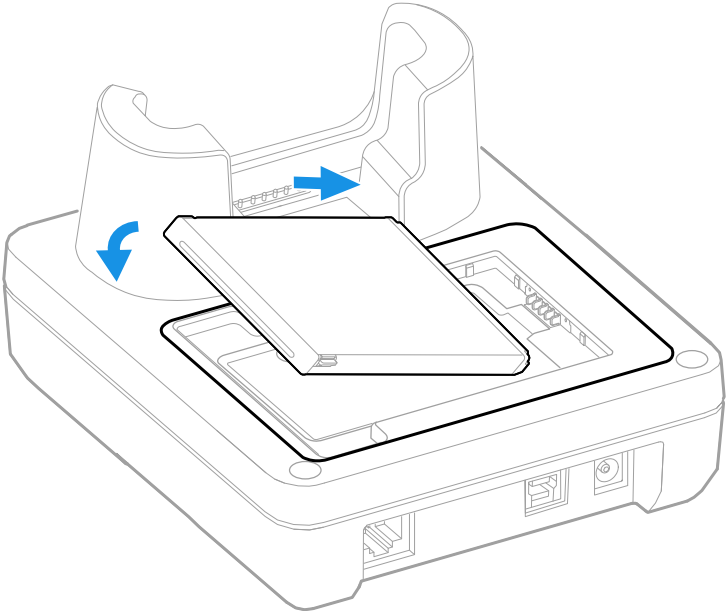
1. Plug the power cord into the power supply.
2. Plug the power supply cable into the power connector on the back of the base.
3. Plug the power cord into a standard wall outlet.

# Charge the Battery Pack

Insert device with battery installed into the Ethernet Base.



You can also, insert a battery pack into the Ethernet Base for charging.



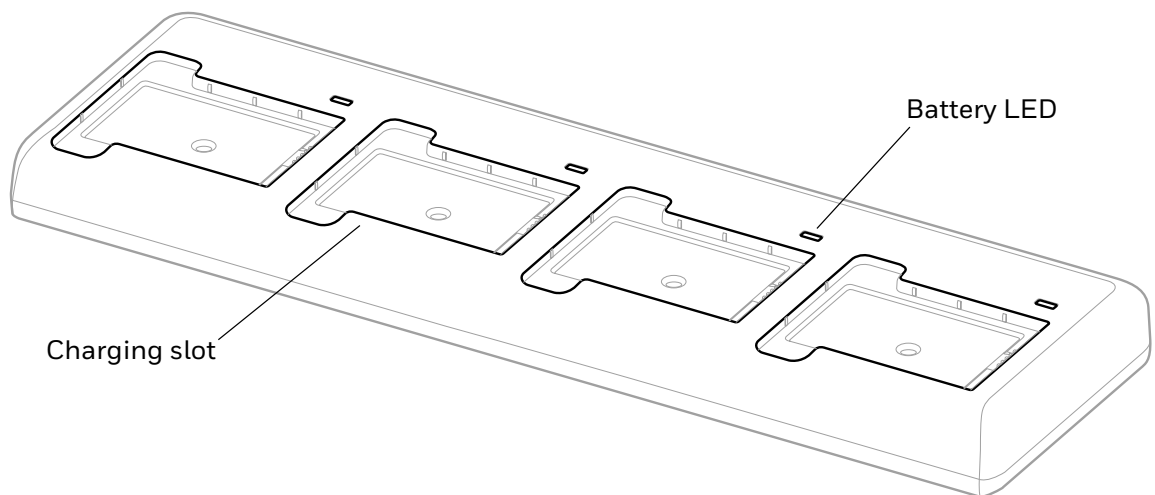


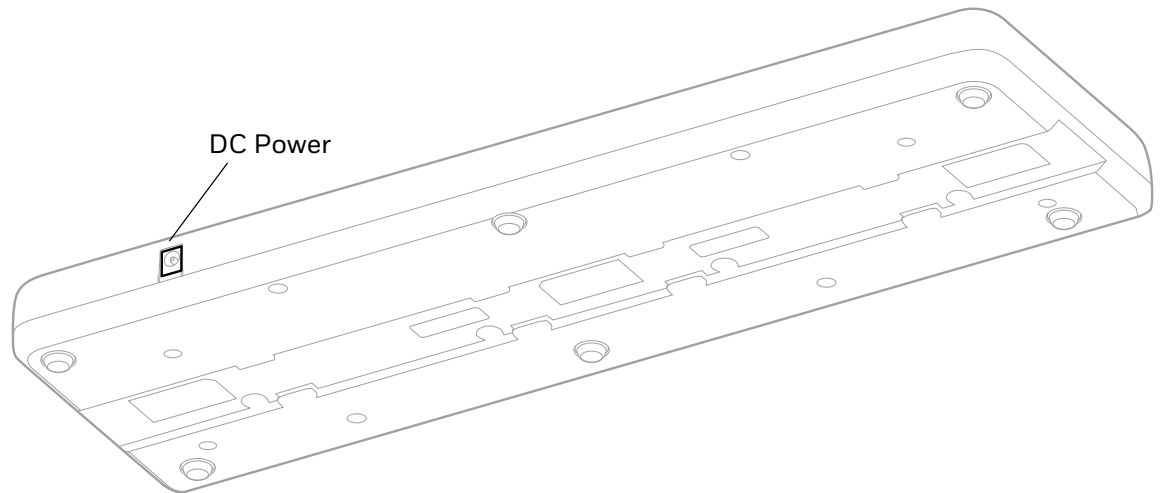


# QUAD BAY BATTERY CHARGER

A Quad Bay Battery Charger can be used to charge up to four batteries that have been removed from the mobile computer. The EDA52-QBC can be used to charge EDA52 and EDA5S batteries.

## Features





## Out of the Box

Make sure that your shipping box contains these items:

- Quad Bay Battery Charger (EDA52-QBC)
- Power supply
- Power cord
- Product documentation

If any of these items are missing or appear damaged, contact your Customer Account Representative. Keep the original packaging in the event that you need to return the base for service or if you want to store the charger while not in use.

## Connect Power

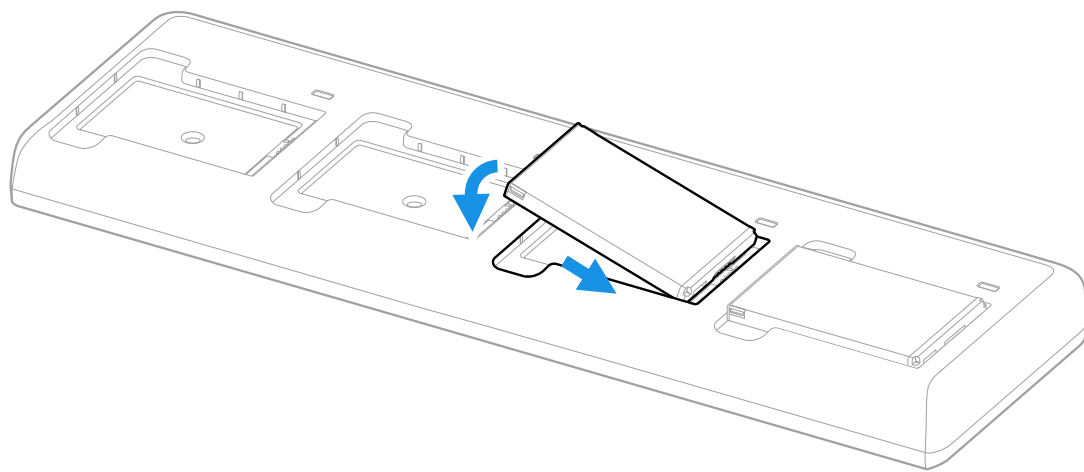
Use only a UL Listed power cord that has been qualified by Honeywell with an output rated at 12 VDC and 3 A. The power supply input rating is 90-264 VAC, 50/60 Hz. The operating temperature is -10 °C to 50 °C (14 °F to 122 °F). The maximum output of the base is 5VDC/2A.

1. Plug the power cord into the power supply.
2. Plug the power supply cable into the power connector on the back of the base.
3. Plug the power cord into a standard wall outlet.

# Charge the Battery Pack

Insert one to four battery packs into the charger.

**EDA52-QBC**





# UNIVERSAL CUPS

Universal Cup EDA52-UCP can be used to allow EDA52 mobile computers to be compatible with CT40 series accessories with Universal Docks.

The universal cup is only for use with six-pin EDA52 models.

## Out of the Box

Make sure that your shipping box contains these items:

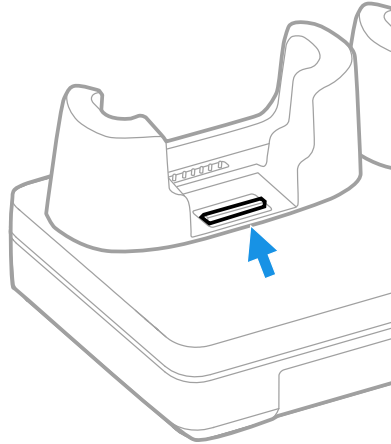
- Universal Cup (EDA52-UCP)

If any of these items are missing or appear damaged, contact your Customer Account Representative. Keep the original packaging in the event that you need to return the cup for service or if you want to store the it while not in use.

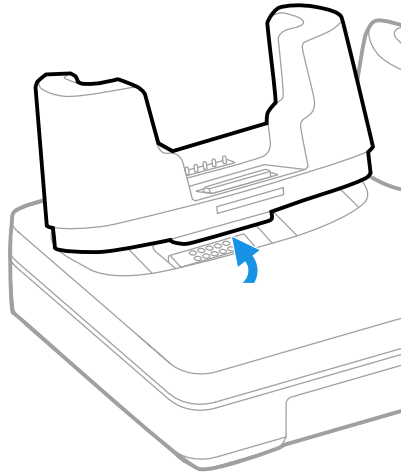
# Replacing a Universal Cup

**Note:** The Universal Charge base is shown in the instructions below for illustration purposes. The steps for removing and inserting a cup are the same for all universal bases.

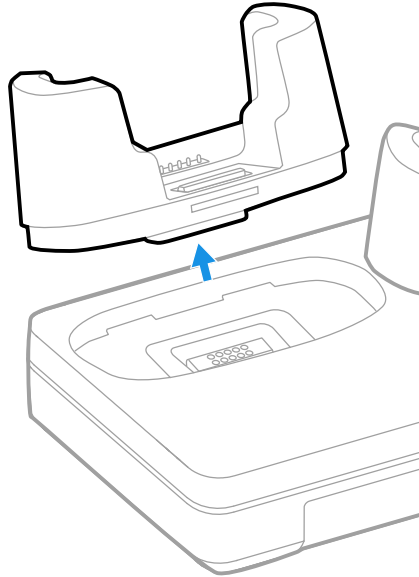
1. Push the latch towards the front of the base.



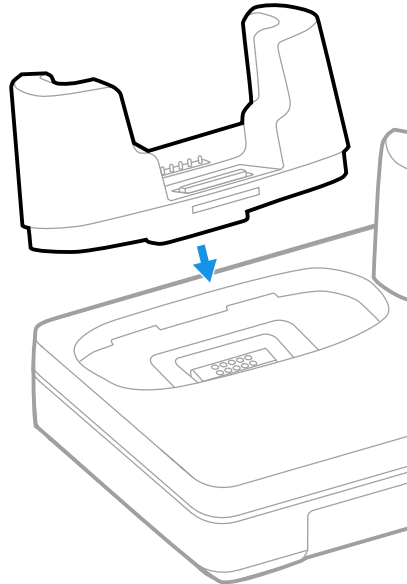
2. Tilt the back of the cup upwards.



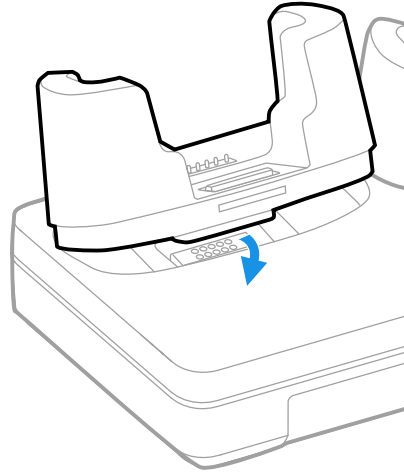
3. Lift the old cup out of the base.



4. Insert the new cup tilted slightly towards the front of the base.



5. Push the cup into the base until it snaps in.

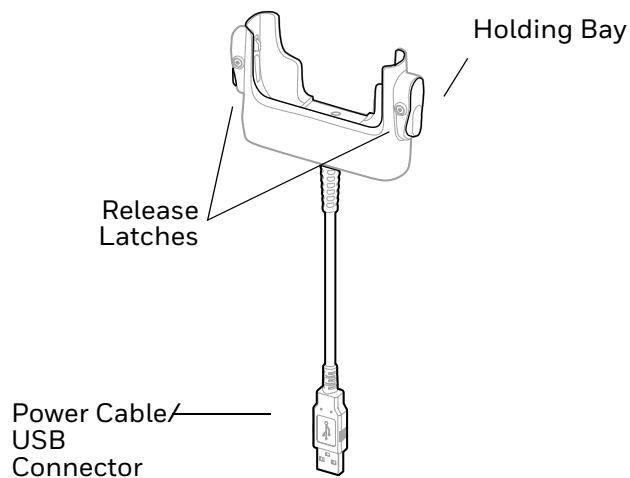




# SNAP-ON USB ADAPTER

A Snap-On Adapter is a tethered USB adapter that charges one mobile computer and allows data transfer via USB client connectivity. The EDA52-SN is for use with the six-pin EDA52 mobile computer without a protective boot.

## Features



## Out of the Box

Make sure that your shipping box contains these items:

- Snap-On USB Adapter (EDA52-SN)
- Product documentation

If any of these items are missing or appear damaged, contact your Customer Account Representative. Keep the original packaging in the event that you need to return the Snap-On Adapter for service or if you want to store it while not in use.

## Connect Power

You can charge your unit via the snap-on adapter by connecting it to a USB port on a host device or with the optional 5VDC/2A wall charger (p/n 50130570-001).

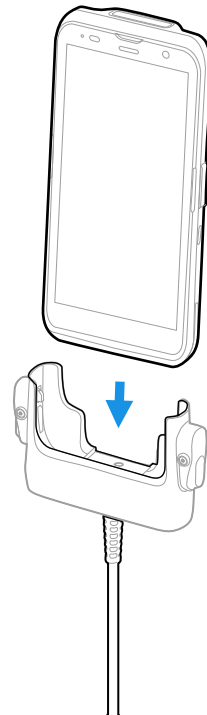
The operating temperature is -10 °C to 50 °C (-14 °F to 122 °F).

## Charge the Battery Pack

### Charge from a USB Port on a Host Device

Charging the battery through a USB port takes more time than direct charging using the optional wall charger.

1. Connect the USB cable to your personal computer.
2. Insert the computer with battery installed into the holding bay until the latches click.

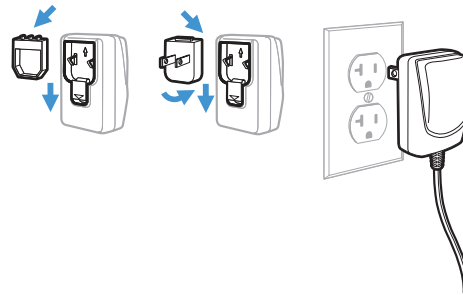


**Note:** Inadequate source current may lengthen the charge time or prevent the battery from charging if the terminal is drawing more current than supplied by the USB port.

## Charge with Optional Wall Charger (50130570-001)

Use only a UL listed power supply that has been qualified by Honeywell with an output rated at 5VDC/2A with the device.

1. Slide the regional plug adapter into the wall charger.
2. Connect the snap-on adapter USB cable to the wall charger.
3. Plug the wall charger into an AC power outlet.



4. Insert the computer with battery installed into the holding bay until the latches click.



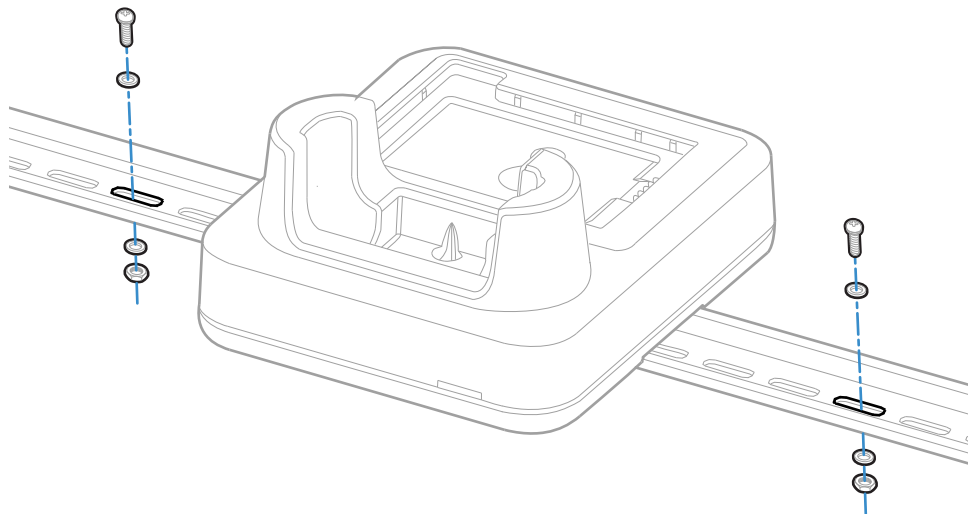
# MOUNT THE CHARGING DOCK

## Mount the Charging Dock

You can mount the charger on a flat, horizontal surface such as a desktop or workbench with an optional DIN rail.

Mounting hardware required:

- DIN rail
  - 3/16-inch diameter x 5/8-inch long pan head screw
  - 1/2-inch OD x 7/32-inch ID x 3/64-inch thick washer
  - 3/16-inch diameter nut
1. Slide the DIN rail into the slot on the bottom of the charging dock.
  2. Secure the DIN rail to the flat surface with the hardware.







Honeywell  
855 S. Mint St.  
Charlotte, NC 28202

[sps.honeywell.com](https://sps.honeywell.com)