



CT60 XP Scan Handle

Models CT60XP-SCH, CT60XP-SCH-DR

Quick Start Guide

Out of the Box

Make sure that your shipping box contains:

- CT60 XP Scan Handle (CT60XP-SCH, CT60XP-SCH-DR)

If the scan handle appears damaged, contact your Customer Account Representative. Keep the original packaging in the event that you need to return the scan handle for service or if you want to store it while not in use.

The CT60 XP scan handle was designed to allow access to all of the buttons and the touch panel of the mobile computer.

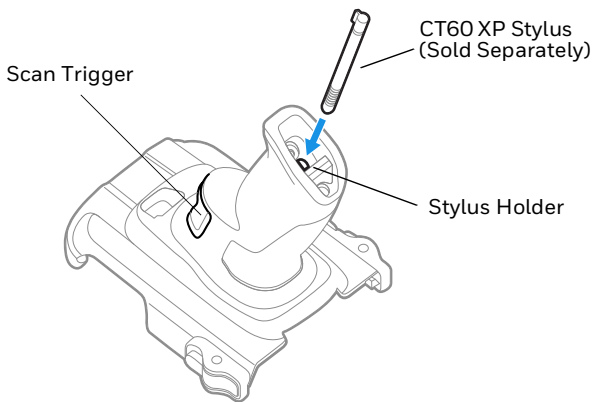
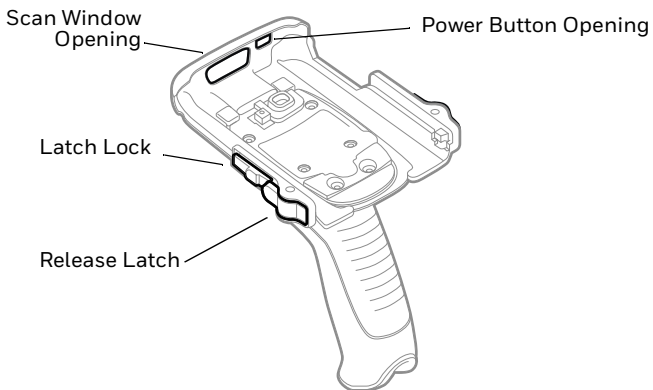
Note: *If you need to set the CT60 XP down while inserted into the scan handle, place it nose down on a flat surface.*



Caution: We recommend the use of Honeywell accessories and power adapters. Use of any non-Honeywell accessories or power adapters may cause damage not covered by the warranty.

Mise en garde: Il est recommandé d'utiliser les périphériques, les cordons d'alimentation et les adaptateurs secteur conçus par Honeywell. L'utilisation de tout périphérique, cordon d'alimentation ou adaptateur secteur d'une autre marque est susceptible de provoquer des dommages non couverts par la garantie.

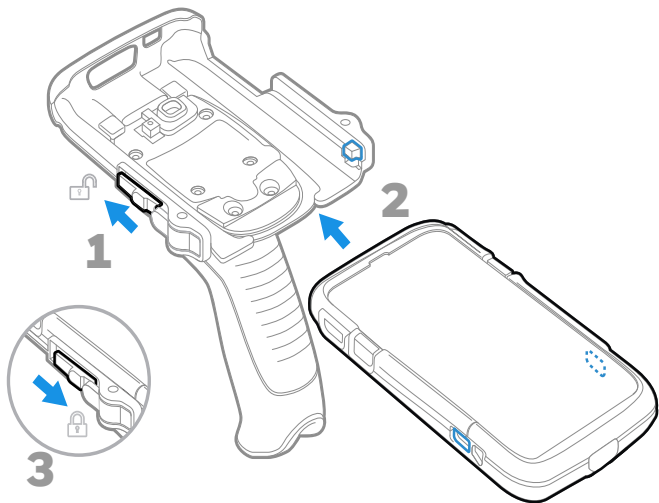
Features of the CT60 XP Scan Handle



Insert the CT60 XP into the Scan Handle

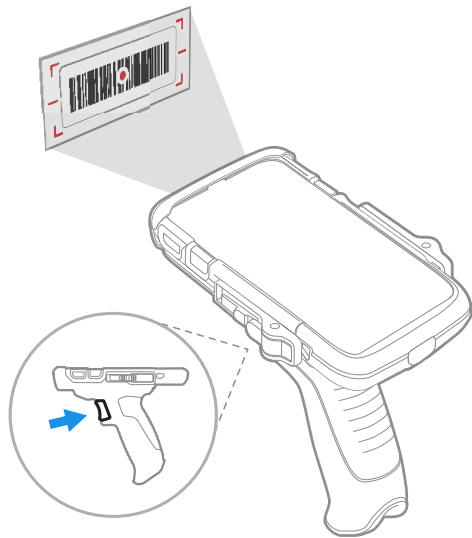
No special tools are required to attach the scan handle to the mobile computer. Remove or adjust stylus and tether before docking in scan handle.

1. Release the latch lock.
2. Slide the CT60 XP into the scan handle and rotate slightly until it clicks firmly in place.
3. Engage latch lock.
4. Pull the trigger to test the connection.



Scan a Bar Code

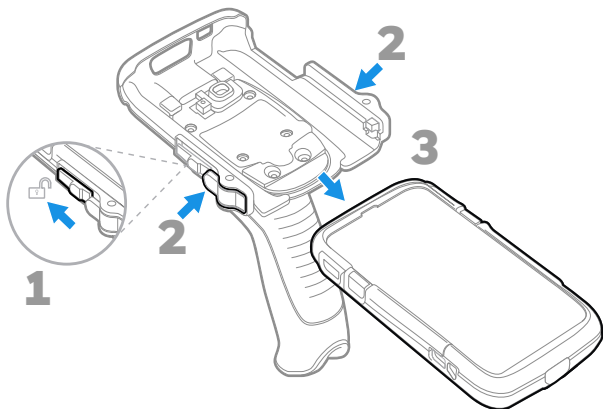
Press the trigger on the handle to scan a bar code.



Remove the CT60 XP from the Scan Handle

If you need to replace the battery, you will need to remove the CT60 XP from the scan handle:

1. Release the latch lock.
2. Press and hold both scan handle latches.
3. Slightly lift the bottom of the device.
4. Slide the CT60 out of the handle.



Minimum Software Requirement

Always make sure your mobile computer is updated to the latest software release. Minimum recommended version is 87.00.10-(0131)/88.00.10-(0131) or higher.

For more information about software updates, refer to your mobile computer user guide.

Cleaning the Scan Handle

The scan handle may be cleaned with a soft cloth dampened with water or a mild detergent-water solution. If a mild detergent solution is used, wipe the handle with a clean cloth dampened only with water to remove any detergent residue.

Some configurations of the CT60 XP Scan Handle have an external plastic housing that is designed to resist the effects of harsh chemicals. These scan handles are equipped with a disinfectant-ready housing (DRH) for general-purpose markets.

Please refer to the Honeywell Safety and Productivity Solutions website for specific details on how to clean the scan handle.

Helpful information on the care of these specialty products can be found in the following article:

- [Honeywell Instructions for Cleaning General Purpose Disinfectant-Ready Housing Devices](#)

Support

To search our knowledge base for a solution or log into the Technical Support portal and report a problem, go to www.hsmcontactsupport.com.

User Documentation

Product documentation is available at www.honeywellaidc.com.

Limited Warranty

For warranty information, go to www.honeywellaidc.com and click **Resources > Warranty**.

Patents

For patent information, see www.hsmpats.com.

Disclaimer

Honeywell International Inc. (“HII”) reserves the right to make changes in specifications and other information contained in this document without prior notice, and the reader should in all cases consult HII to determine whether any such changes have been made. The information in this publication does not represent a commitment on the part of HII.

HII shall not be liable for technical or editorial errors or omissions contained herein; nor for incidental or consequential damages resulting from the furnishing, performance, or use of this material. HII disclaims all responsibility for the selection and use of software and/or hardware to achieve intended results.

This document contains proprietary information that is protected by copyright. All rights are reserved. No part of this document may be photocopied, reproduced, or translated into another language without the prior written consent of HII.

Copyright © 2020 Honeywell International Inc. All rights reserved.