

CK₃ Series

Scan Handle Instructions

Anleitung für Scan-Griff

Instrucciones del mango de escaneado

Instructions pour le manche de lecture

Istruzioni per l'uso dell'impugnatura di scansione

スキャンハンドルの取り扱い方

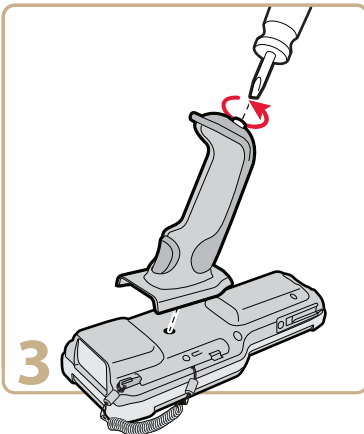
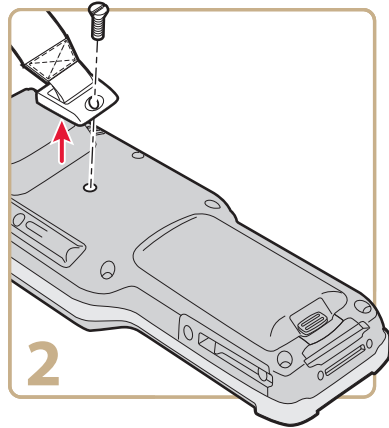
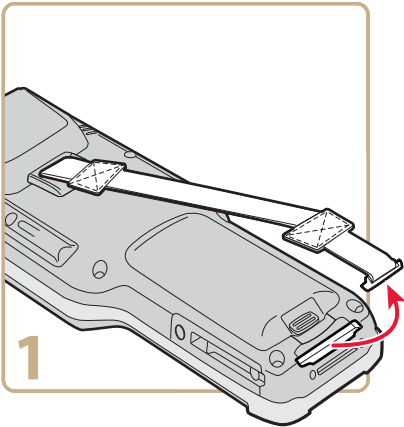
스캔 핸들 지침

Instruções de uso da alça de leitura

Инструкции к ручке сканера

扫描手柄说明

掃描握把說明





Worldwide Headquarters
6001 36th Avenue West
Everett, Washington 98203
U.S.A.

tel 425.348.2600

fax 425.355.9551

www.intermec.com

© 2012 Intermec Technologies
Corporation. All rights reserved.



CK3 Series Scan Handle Instructions



P/N 943-177-002