

Honeywell

RT10 Series Accessories

User Guide

Disclaimer

Honeywell International Inc. (“HII”) reserves the right to make changes in specifications and other information contained in this document without prior notice, and the reader should in all cases consult HII to determine whether any such changes have been made. The information in this publication does not represent a commitment on the part of HII.

HII shall not be liable for technical or editorial errors or omissions contained herein; nor for incidental or consequential damages resulting from the furnishing, performance, or use of this material. HII disclaims all responsibility for the selection and use of software and/or hardware to achieve intended results.

This document contains proprietary information that is protected by copyright. All rights are reserved. No part of this document may be photocopied, reproduced, or translated into another language without the prior written consent of HII.

Copyright © 2020-2021 Honeywell International Inc. All rights reserved.

Web Address: www.honeywellaidc.com

Trademarks

VESA is a trademark and/or registered trademark of the Video Electronics Standards Association.

RAM and RAM Mount are trademarks and/or registered trademarks of National Products Inc.

Other product names mentioned in this manual may be trademarks or registered trademarks of their respective companies and are the property of their respective owners.

Patents

For patent information, see www.hsmpats.com.

TABLE OF CONTENTS

Customer Support	v
Technical Assistance	v
Product Service and Repair	v
Limited Warranty	v
Chapter 1 - Introduction	1
Chapter 2 - RT10 2-Bay Battery Charger	3
Out of the Box	3
Connect Power	4
Charge the Battery Pack.....	4
About the Status LEDs	5
Chapter 3 - RT10 Desktop Docks.....	7
Out of the Box.....	7
Features	8
RT10-CD.....	8
RT10-DD.....	8
Connect Power.....	8
Insert Tablet into the Dock.....	9
Chapter 4 - RT10 Vehicle Docks.....	11
Out of the Box.....	11
Features	12
Front.....	12

Back	13
Bottom	13
Connect Power	14
Power Adapter.....	14
Direct Connection	15
Insert Tablet into the Dock.....	15
Remove Tablet from the Dock.....	16

Chapter 5 - Mounting Solutions..... 17

VESA Mount.....	17
Out of the Box	17
Features	18
Installing the VESA Plate	18
RAM Mounting Kit.....	18
Out of the Box	18
Installing the RAM Kit.....	19

Customer Support

Technical Assistance

To search our knowledge base for a solution or to log in to the Technical Support portal and report a problem, go to www.honeywellaidc.com/working-with-us/contact-technical-support.

For our latest contact information, see www.honeywellaidc.com/locations.

Product Service and Repair

Honeywell International Inc. provides service for all of its products through service centers throughout the world. To obtain warranty or non-warranty service, return your product to Honeywell (postage paid) with a copy of the dated purchase record. To learn more, go to www.honeywellaidc.com and select **Service & Repair** at the bottom of the page.

Limited Warranty

For warranty information, go to www.honeywellaidc.com and click **Resources > Product Warranty**.

INTRODUCTION

Honeywell offers a full range of accessories for the RT10 Rugged Tablet, including a multi-bay charger, desk docks for office use, vehicle docks, and mounting kits for a variety of workflows.

The accessories included in this guide are compatible with both RT10A and RT10W rugged tablets.

- 2-bay battery charger
- Desk docks
- Vehicle docks
- Mounting solutions

For more information about available accessories, see the RT10 product page at www.honeywellaidc.com. Contact your local sales representative for ordering information.

RT10 2-BAY BATTERY CHARGER

The RT10 2-Bay Battery Charger (RT10-BC-2) simultaneously charges two rechargeable Li-Polymer battery packs used in RT10 rugged tablets.

The RT10-BC-2 charger is designed for use with both standard and extended RT10 battery packs manufactured for Honeywell.

Battery Model	Battery Type	RT10-BC-2 Charge Time
RT10-BAT-STD1	Standard	up to 3 hours
RT10-BAT-EXT1	Extended	up to 6 hours

Out of the Box

Make sure that your shipping box contains these items:

- RT10-BC-2 battery charger
- Power supply (power cord sold separately)

Be sure to keep the original packaging in case you need to return the battery charger for service.



Caution: We recommend the use of Honeywell accessories and power adapters. Use of any non-Honeywell accessories or power adapters may cause damage not covered by the warranty.

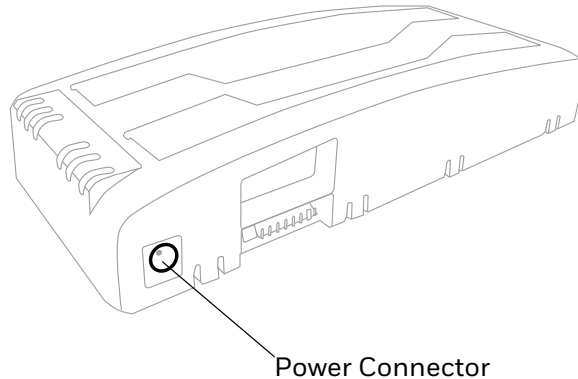


Mise en garde: Il est recommandé d'utiliser les périphériques, les cordons d'alimentation et les adaptateurs secteur conçus par Honeywell. L'utilisation de tout périphérique, cordon d'alimentation ou adaptateur secteur d'une autre marque est susceptible de provoquer des dommages non couverts par la garantie.

Connect Power

Use only a UL Listed power supply which has been qualified by Honeywell with an output rated at 19 VDC and 3.42 A. The power supply input rating is 100~240 VAC, 50/60Hz. The operating temperature is -20°C to 60° C (-4°F to 140°F).

1. Plug a power cord into the power supply.
2. Plug the power supply cable into the power connector on the side of the charger.



3. Plug the power cord into a standard wall outlet.

Charge the Battery Pack

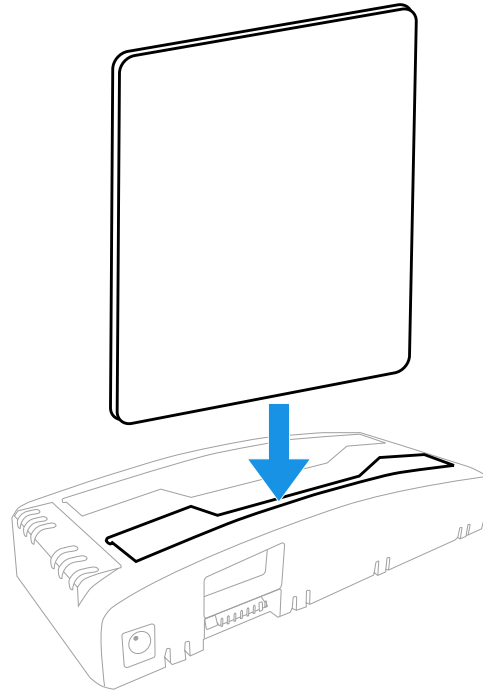


Caution: Make sure that all components are dry prior to using the computers and batteries with accessories. Using wet components may cause damage not covered by the warranty.



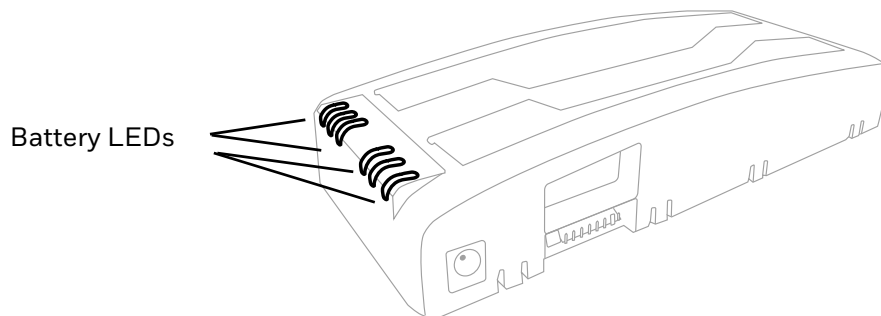
Mise en garde: Assurez-vous que tous les composants sont secs avant de connecter les terminaux/batteries à des périphériques. L'insertion de composants humides risque de provoquer des dommages non couverts par la garantie.

- Insert one to two battery packs into the charger.



About the Status LEDs

Each charging bay has dedicated Battery LEDs located at the front of the bay that indicate charging progress. When all three LEDs for a bay are lit, the battery is fully charged.



RT10 DESKTOP DOCKS

Honeywell offers two docks that allow you to use your RT10 tablet like a desktop computer by connecting it to an external monitor and keyboard (sold separately):

- RT10-CD Communications Dock
- RT10-DD Desk Dock

Feature	RT10-CD	RT10-DD
Charging for either standard battery model RT10-BAT-STD1 or extended battery model RT10-BAT-EXT1	X	X
User-friendly viewing angle	X	X
Multiple I/O Ports	X	X
RJ45 Ethernet (10/100)	X	X
USB 2.0 Type A	X	X
VGA	X	
HDMI		X

Out of the Box

Make sure that your shipping box contains the following item:

- RT10-CD Communications Dock or RT10-DD Desk Dock

Be sure to keep the original packaging in case you need to return the dock for service.



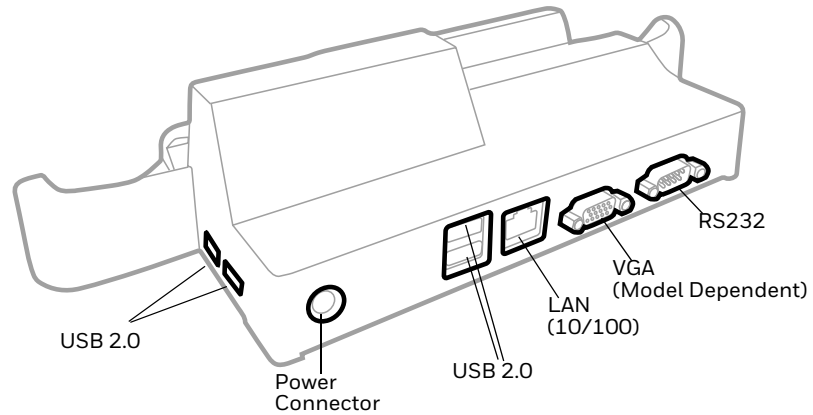
Caution: We recommend the use of Honeywell accessories and power adapters. Use of any non-Honeywell accessories or power adapters may cause damage not covered by the warranty.



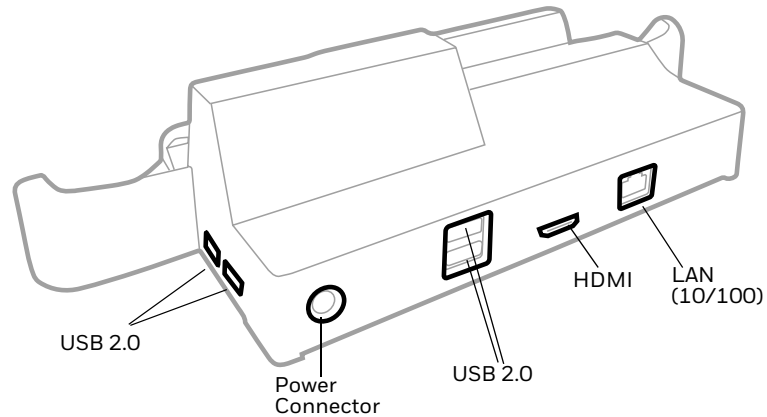
Mise en garde: Il est recommandé d'utiliser les périphériques, les cordons d'alimentation et les adaptateurs secteur conçus par Honeywell. L'utilisation de tout périphérique, cordon d'alimentation ou adaptateur secteur d'une autre marque est susceptible de provoquer des dommages non couverts par la garantie.

Features

RT10-CD



RT10-DD



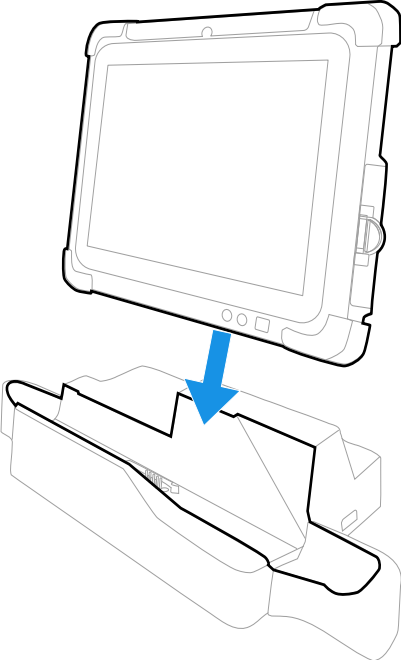
Connect Power

Use only a UL Listed power supply which has been qualified by Honeywell with an output rated at 19 VDC and 3.42A. The operating temperature is -20°C to 60°C (-4°F to 140°F).

1. Plug a power cord into the power supply.
2. Plug the power supply cable into the power connector on the back of the dock.
3. Plug the power cord into a standard wall outlet.

Insert Tablet into the Dock

Ensure the tablet is fully seated in the dock.



RT10 VEHICLE DOCKS

Honeywell offers four vehicle docks to securely fasten RT10 Rugged Tablets in moving vehicles:

- Power-only RT10-VC Vehicle Cradle
- RT10-VD Vehicle Dock with multiple I/O ports
- RT10-EVC Enhanced Vehicle Cradle with USB
- RT10-EVD Enhanced Vehicle Dock with multiple I/O ports

Feature	RT10-VC	RT10-VD	RT10-EVC	RT10-EVD
Anti-theft design with lockable cradle	X	X	X	X
Power voltage input:				
9~36V DC-in	X	X		
10~60V DC-in			X	X
Charges tablets with either standard (RT10-BAT-STD1) or extended (RT10-BAT-EXT1) batteries	X	X	X	X
VESA standard mounting	X	X	X	X
I/O Ports:				
USB 2.0		X	X	X
D9 USB 2.0				X
LAN		X		X
RS232		X		X
SMA connector for external GPS antenna		X		

Out of the Box

Make sure that your shipping box contains these items:

- RT10-VC/RT10-EVC Vehicle Cradle or RT10-VD/RT10-EVD Vehicle Dock
- Terminal block plug (RT10-VC or RT10-VD)

- Power cable (power adapter sold separately)
- Keys

Be sure to keep the original packaging in case you need to return the dock for service.

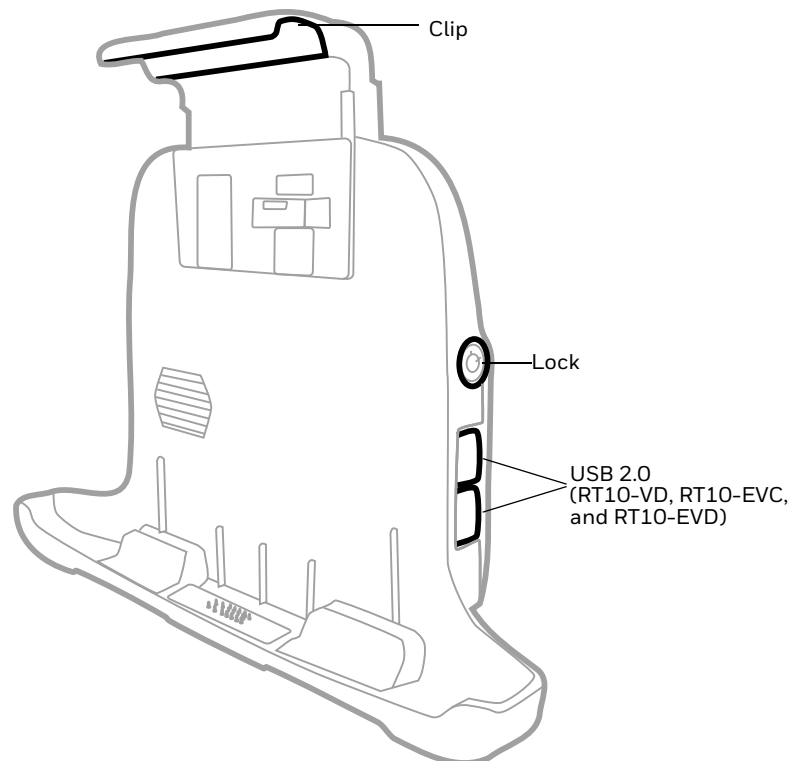


Caution: We recommend the use of Honeywell accessories and power adapters. Use of any non-Honeywell accessories or power adapters may cause damage not covered by the warranty.

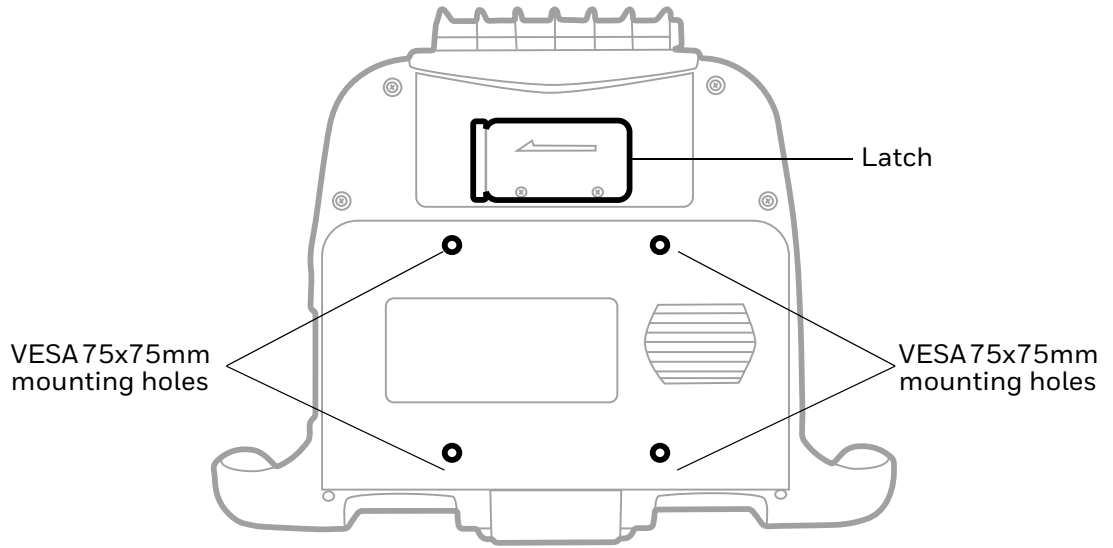
Mise en garde: Il est recommandé d'utiliser les périphériques, les cordons d'alimentation et les adaptateurs secteur conçus par Honeywell. L'utilisation de tout périphérique, cordon d'alimentation ou adaptateur secteur d'une autre marque est susceptible de provoquer des dommages non couverts par la garantie.

Features

Front

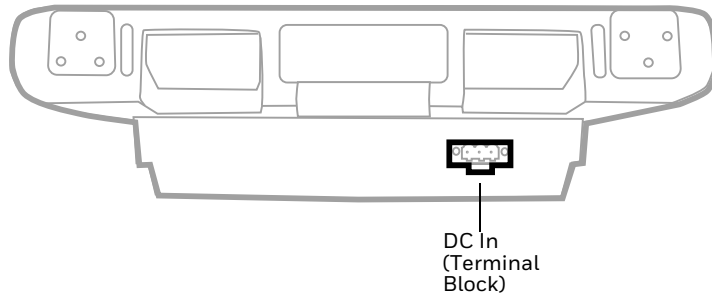


Back

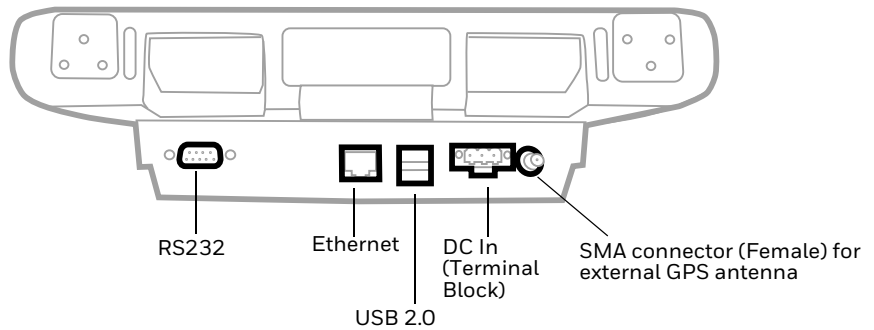


Bottom

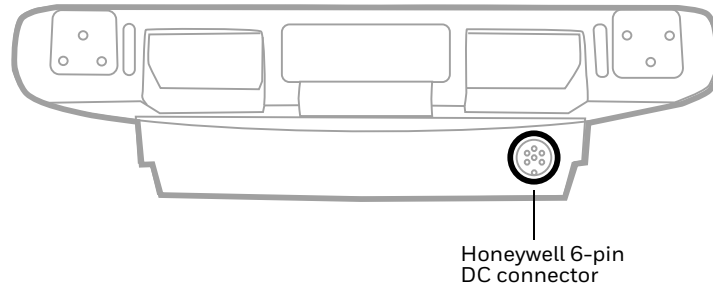
RT10-VC



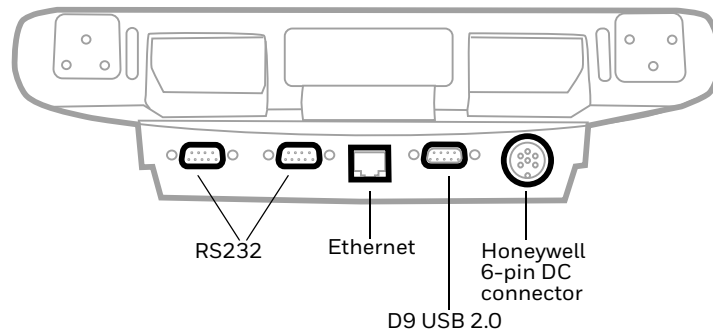
RT10-VD



RT10-EVC



RT10-EVD



Connect Power

Vehicle power input for the dock is 9V to 36V DC. The operating temperature is -20°C to 60° C (-4°F to 140°F).

The vehicle dock can be connected to vehicle power as follows:

- Power adapter
- Direct power connection

Power Adapter

RT10-VC and RT10-VD

1. Connect the power adapter cable to the terminal block cable.
2. Insert the terminal block into the dock.
3. Plug the power adapter into a power port on the vehicle.

RT10-EVC and RT10-EVD

1. Insert the power adapter cable into the dock.
2. Plug the power adapter into a power port on the vehicle.

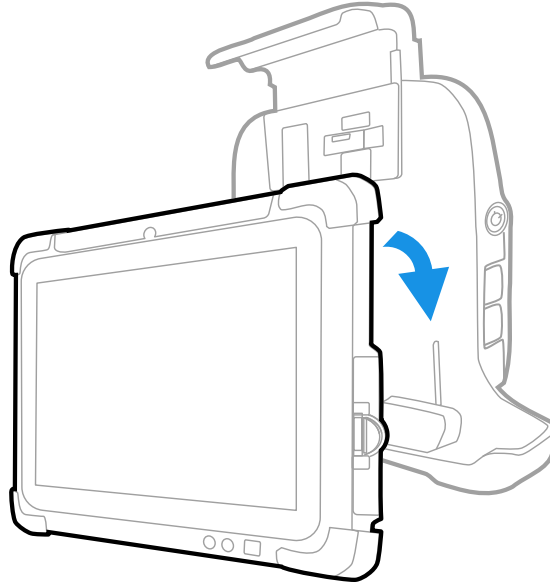
Direct Connection



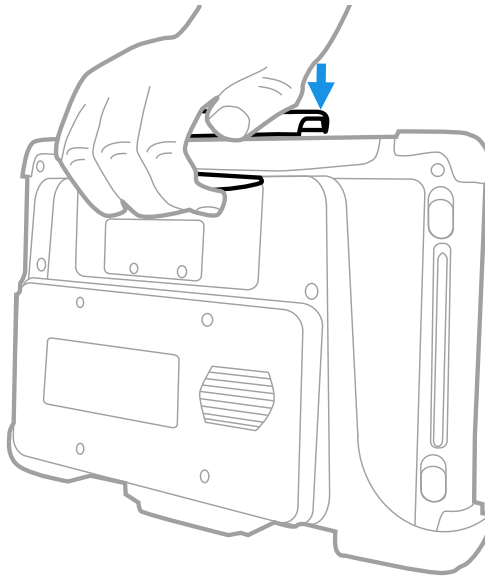
Caution: For installation by trained service personnel only.

Insert Tablet into the Dock

1. Insert the tablet into the dock. Ensure the tablet is fully seated in the dock.

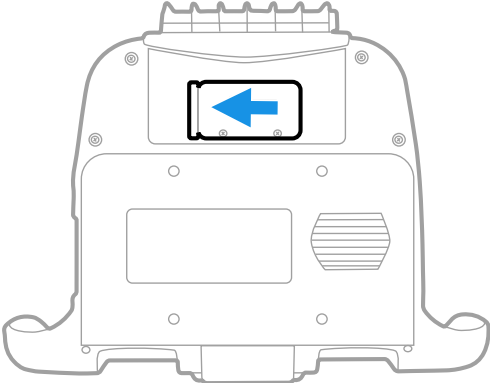


2. Grip the back of the dock with your fingers and push the top clip down until the latch clicks.

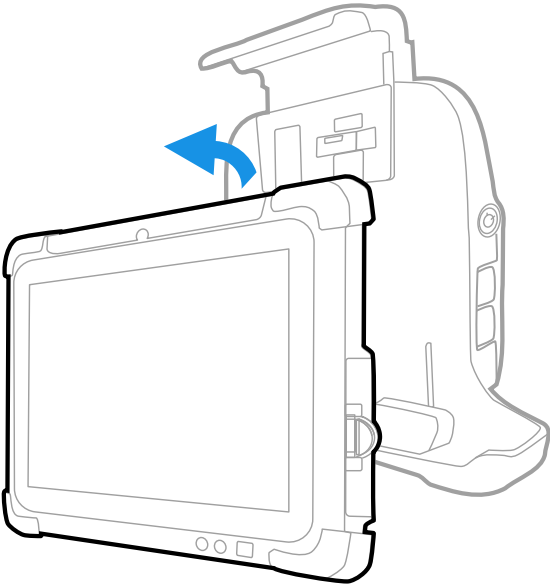


Remove Tablet from the Dock

- 1. Slide the latch on the rear of the dock to release the clip.



- 2. Lift the tablet out of the dock.



MOUNTING SOLUTIONS

Honeywell offers two mounting solutions for the RT10 Rugged Tablet:

- A VESA® adapter plate that installs directly onto the tablet (RT10-MNT-VS)
- A RAM® kit to mount a vehicle dock (RT10-MNT-RAM)

VESA Mount

The RT10-MNT-VS is a VESA adapter plate that is installed directly onto the tablet. Use the VESA plate to secure the tablet to a stand or wall mount.

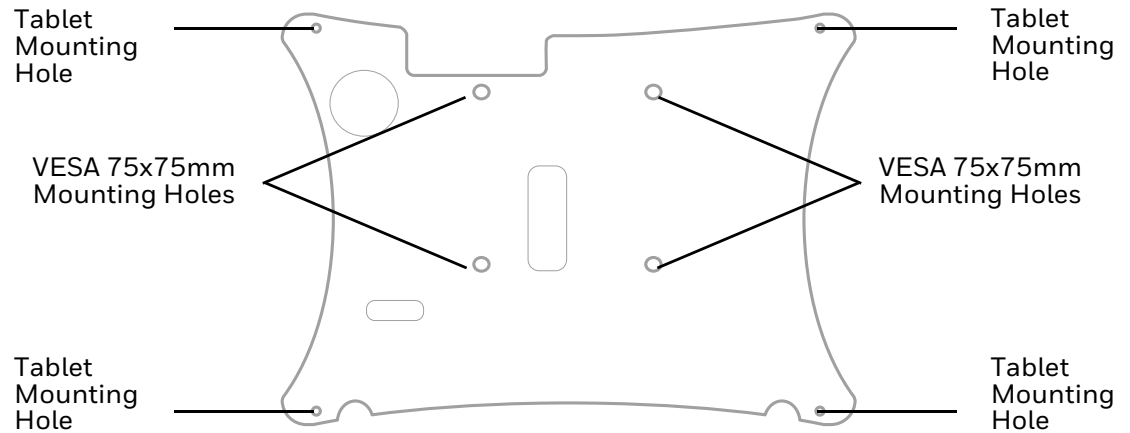
Out of the Box

Make sure that your shipping box contains these items:

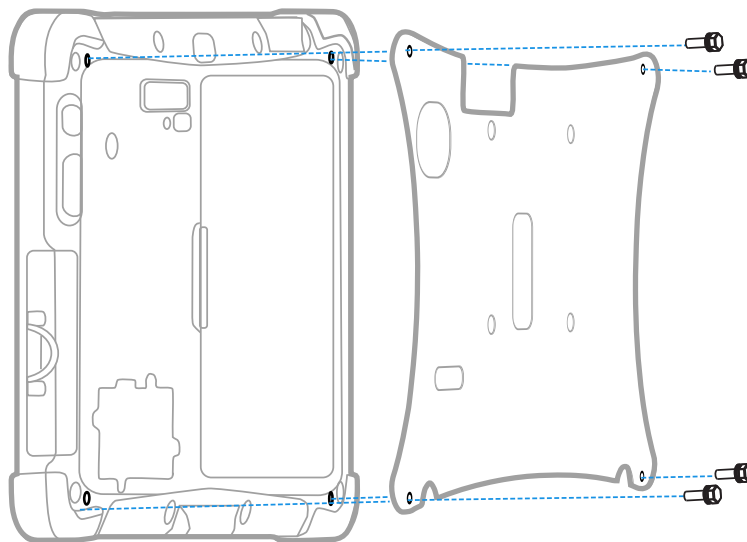
- RT10-MNT-VS plate
- Screws

Be sure to keep the original packaging in case you need to return the mount for service.

Features



Installing the VESA Plate



RAM Mounting Kit

Honeywell offers a RAM mount adapter kit for RT10 vehicle docks that provides a ball plate that can be used with RAM mount systems. The RT10-MNT-RAM kit allows you to mount a vehicle dock while retaining the flexibility to remove the tablet from the dock. For more information about RT10 vehicle docks, see page [11](#).

Out of the Box

Make sure that your shipping box contains these items:

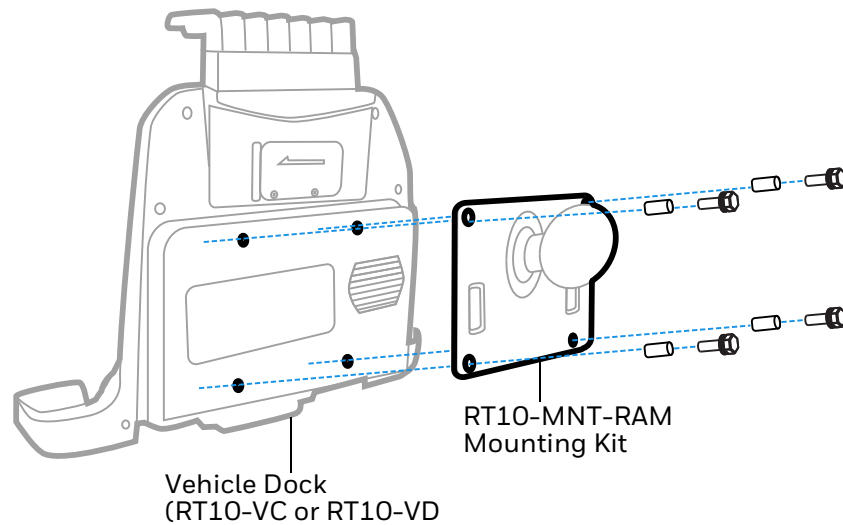
- 75x75 mm VESA plate with size D RAM ball
- M4 screws (4)
- Spacer screws (4)

Be sure to keep the original packaging in case you need to return the RAM kit for service.

Installing the RAM Kit

To secure a vehicle dock to a RAM mount system (sold separately):

1. Attach the RT10-MNT-RAM kit to the vehicle dock.



2. Attach the RT10 assembly to a RAM base using a RAM arm and tighten the knob on the RAM arm. (RAM base and arm sold separately.)

Honeywell
9680 Old Bailes Road
Fort Mill, SC 29707

www.honeywellaidc.com