



# ScanPal™ EDA10A Series

---

Enterprise Tablet powered by Android™

## Quick Start Guide

## Agency Models

EDA10A-0, EDA10A-1

## Out of the Box

Make sure that your shipping box contains these items:

- ScanPal Enterprise Tablet
- Rechargeable 3.85 V Li-ion battery
- USB Type-C cable
- Product documentation

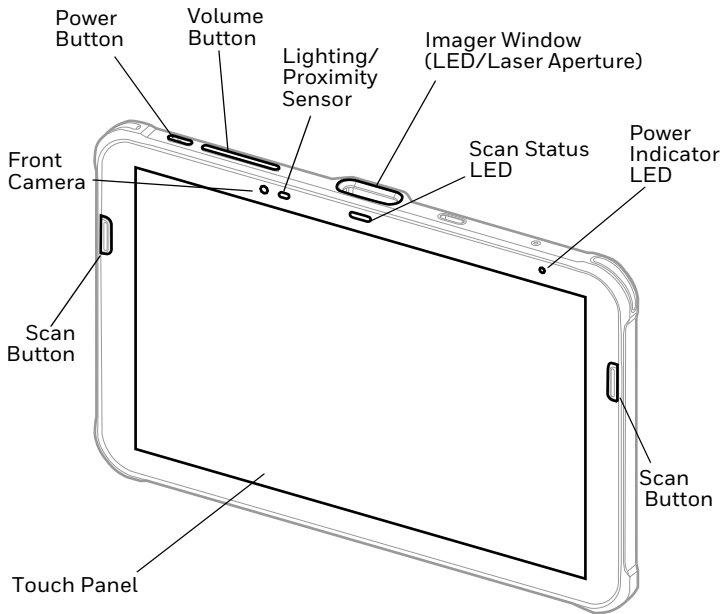
If you ordered accessories for your tablet, verify that they are also included with the order. Be sure to keep the original packaging in case you need to return the tablet for service.

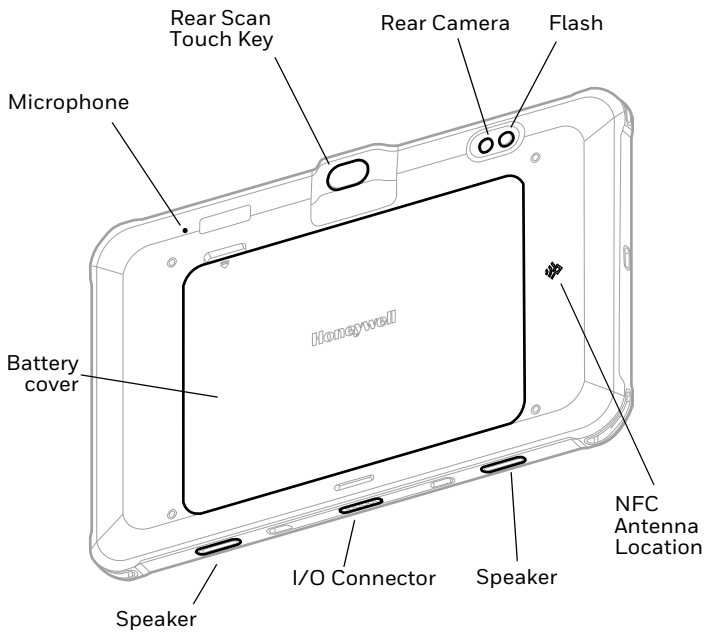
**Note:** *EDA10A-0 models do not include a WWAN radio.*

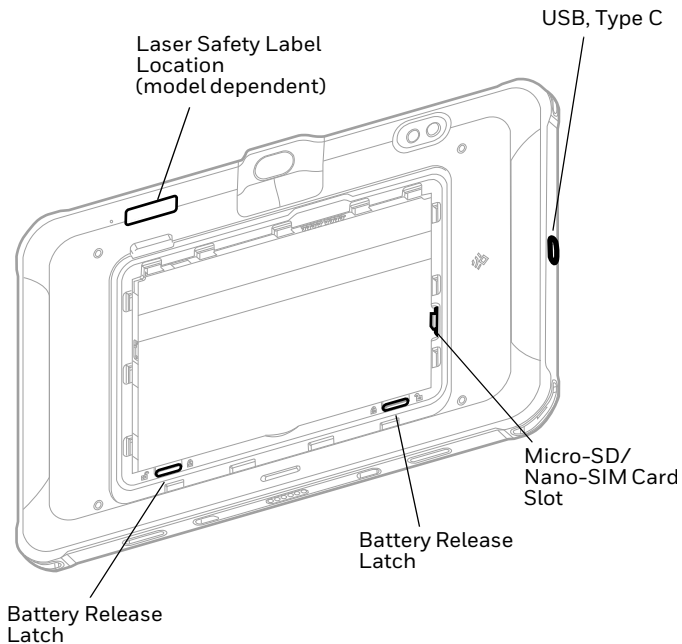
## Memory Card Specifications

Honeywell recommends the use of Single Level Cell (SLC) industrial grade microSD™ or microSDHC™ memory cards with ScanPal tablets for maximum performance and durability. Contact a Honeywell sales representative for additional information on qualified memory card options.

## Tablet Features

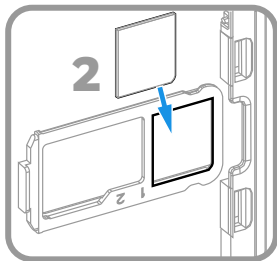
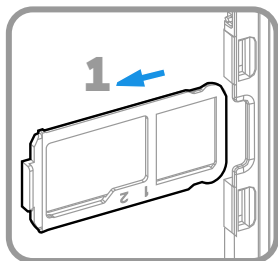






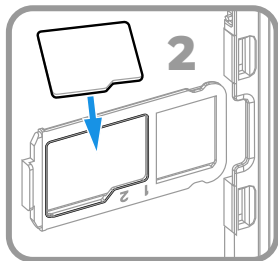
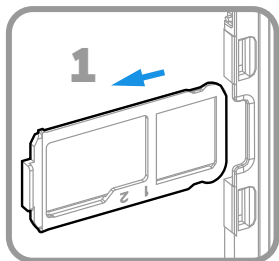
## Install a Micro SIM Card

Either a nano-SIM card or embedded SIM (eSIM) is used to activate the phone and connect to a mobile network. eSIM is available on select models only. Refer to the user guide for additional information.



## Install a microSD Card (Optional)

**Note:** Format the microSD card before initial use.



**Note:** Always power off the computer before attempting to install or remove a card.

## About the Battery

The EDA10A ships with a Li-ion 3.85 V battery manufactured for Honeywell International Inc.



**We recommend use of Honeywell Li-ion battery packs. Use of any non-Honeywell battery may result in damage not covered by the warranty.**

**Nous recommandons l'utilisation de batteries Li-ion de la marque Honeywell. L'utilisation d'une batterie d'un autre fabricant est susceptible de provoquer des dommages non couverts par la garantie.**

**Ensure all components are dry prior to placing the battery in the computer. Mating wet components may cause damage not covered by the warranty.**



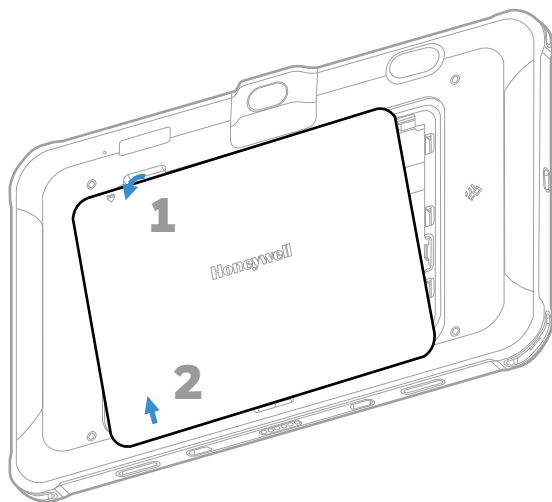
**Assurez-vous que tous les composants sont secs avant d'insérer la batterie dans l'ordinateur. L'insertion de composants humides risque de provoquer des dommages non couverts par la garantie.**

**Before you attempt to use, charge or replace the battery in the device, carefully read all labels, markings and product documentation provided in the box or online at [sps.honeywell.com](https://sps.honeywell.com). To learn more about Battery Maintenance for Portable Devices, go to [honeywell.com/PSS-BatteryMaintenance](https://honeywell.com/PSS-BatteryMaintenance).**

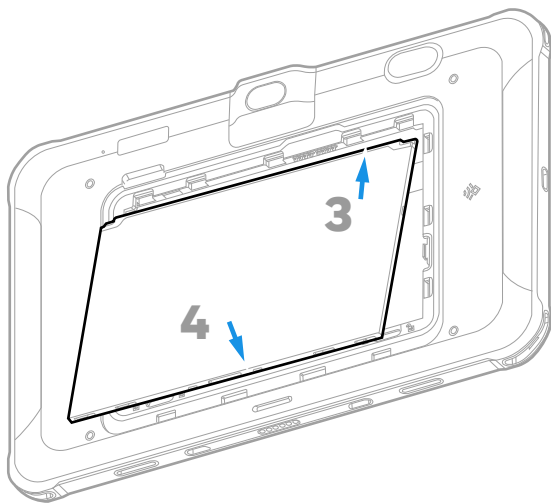


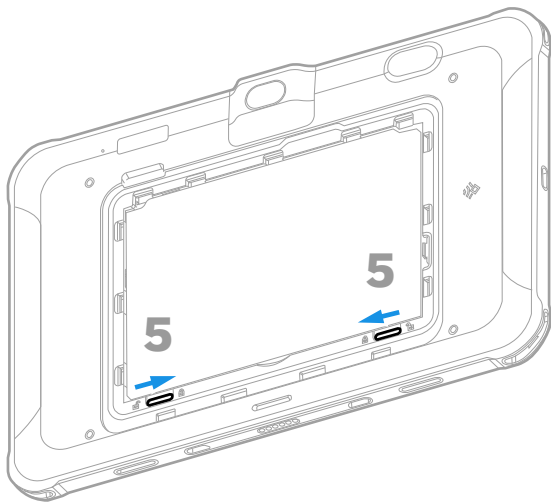
**Avant d'essayer d'utiliser, de charger ou de remplacer la batterie de l'appareil, lisez attentivement toutes les étiquettes, marquages et documentation du produit fournis dans la boîte ou en ligne à [sps.honeywell.com](https://sps.honeywell.com). Pour en savoir plus sur l'Entretien de Batteries pour Appareils Portables, consultez-le [honeywell.com/PSS-BatteryMaintenance](https://honeywell.com/PSS-BatteryMaintenance).**

## Install the Battery









## Charge the EDA10A

The EDA10A tablet ships with a partially charged battery. Charge the battery with an EDA10A charging device for a minimum of **5.5 hours**. Using the computer while charging the battery increases the time required to reach a full charge.



**We recommend the use of Honeywell accessories and power adapters. Use of any non-Honeywell accessories or power adapters may cause damage not covered by the warranty.**

**Nous recommandons d'utiliser des accessoires et des adaptateurs secteur de marque Honeywell. L'utilisation de tout accessoire ou adaptateur secteur d'une autre marque est susceptible de provoquer des dommages non couverts par la garantie.**

EDA10A tablets are designed for use with EDA10A series charging accessories. For more information about accessories, see the ScanPal EDA10A Enterprise Tablet Accessories Guide at [sps.honeywell.com](https://sps.honeywell.com).



**Ensure all components are dry prior to mating the computers and batteries with peripheral devices. Mating wet components may cause damage not covered by the warranty.**

**Assurez-vous que tous les composants sont secs avant de raccorder les ordinateurs et les batteries à des périphériques. L'insertion de composants humides risque de provoquer des dommages non couverts par la garantie.**

## Turn Power On/Off

The first time you power on the computer, a Welcome screen appears. You can either scan a configuration barcode or use the Wizard to manually set up the computer. Once setup is complete, the Welcome screen no longer appears on startup and Provisioning mode (see page 14) is automatically turned off (disabled).

To turn the computer on:

- Press and hold the **Power** button for approximately 3 seconds, and then release.

To turn the computer off:

1. Press and hold the **Power** button until the options menu appears.
2. Touch **Power off**.

## Hot Swap

You can replace the battery on demand provided the following conditions are met:

- The tablet has been powered on for at least 4 minutes.

AND

- You insert a new battery within three minutes.

**Note:** *Before performing a hot swap, press the Power button to turn off the LCD screen. Leaving the LCD screen on during hot swap can significantly reduce the time available to replace the battery.*

## Screen Timeout

The screen timeout (sleep mode) automatically turns the touch panel display off and locks the computer to save battery power when the computer is inactive for a programmed period of time.

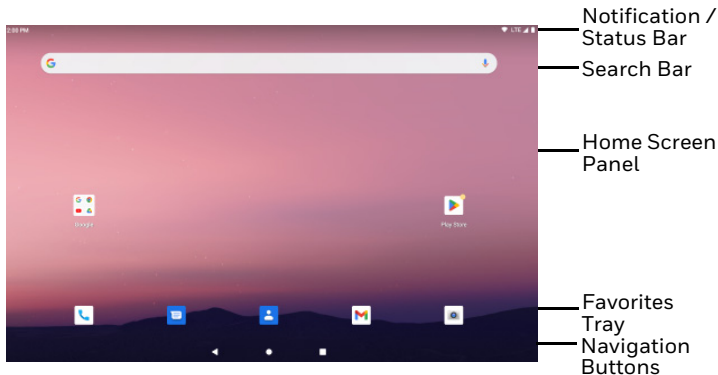
- Press and release the **Power** button to wake the computer.

## Adjust the Screen Timeout

To adjust the amount of time before the display sleeps after inactivity:

1. Swipe up on the touch screen.
2. Select **Settings** > **Display** > **Screen timeout**.
3. Select the amount of time before the display goes to sleep.




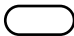




## About the Home Screen



To learn how to customize the Home screen, see the user guide.

## Navigation and Function Buttons

For button locations, see [Tablet Features](#).

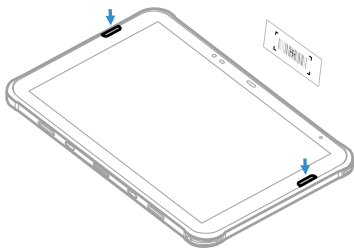
Button	Description	
	Back	Return to the previous screen.
	Home	Return to the Home screen.
	Recent Apps	View, close, and switch between recently used apps.
	Scan	Touch the on-screen (digital) Scan button to trigger the scanner.
	Volume	Press the + or - sign on the button to raise or lower the speaker volume.
	Front Scan Buttons	Press left or right Scan button to trigger the scanner.
	Rear Scan Touch Key	Touch the rear Scan key to trigger the scanner.
	Power	See <a href="#">Turn Power On/Off</a> on page 11.

## Scan a Barcode with the Scan Demo

For optimum performance, avoid reflections by scanning the barcode at a slight angle.

**Note:** To enable the rear scan touch key, navigate to **Settings > Honeywell Settings > Touch Key** and turn on **Touch Key Switch** or swipe down from the top of the screen and tap **Touch Key**.

1. Swipe up on the screen to access all apps.
2. Select **Demos > Scan Demo**.
3. Point the computer at the barcode.
4. Touch **Scan** on the screen or press and hold any Scan button. Center the aiming beam over the barcode.



The decode results appear on the screen.

**Note:** In the Scan Demo app, not all barcode symbologies are enabled by default. If a barcode does not scan, the correct symbology may not be enabled. To learn how to modify the default app settings, see the user guide.

## About Provisioning Mode

After completing the out-of-box set up process, Provisioning mode is automatically turned off. Scanning a barcode to install applications, certificates, configuration files, and licenses on the computer is restricted unless you enable Provisioning mode in the Settings app. To learn more, see the user guide.

## Sync Data

To move files between your EDA10A and a computer:

1. Connect the EDA10A to your computer using a USB charge/communication accessory.
2. On the EDA10A, swipe down from the top of the screen to see the notifications panel.
3. Select the Android System notification twice to open the options menu.
4. Select either **File Transfer** or **PTP**.
5. Open the file browser on your computer.
6. Browse to the EDA10A. You can now copy, delete, and move files or folders between your computer and EDA10A as you would with any other storage drive (e.g., cut and paste or drag and drop).

**Note:** *When Provisioning mode is turned off, some folders are hidden from view in the file browser.*



## Restart the Tablet

You may need to restart the tablet to correct conditions where an application stops responding to the system or the computer seems to be locked up.

1. Press and hold the **Power** button until the options menu appears.
2. Select **Restart**.

To restart the computer if the touch panel display is unresponsive:

- Press and hold the **Power** button for approximately 8 seconds until the computer restarts.

**Note:** *To learn about advanced reset options, see the user guide.*

## Support

Go to [sps.honeywell.com](https://sps.honeywell.com) and select Support to search our knowledge base for a solution or to log into the Technical Support portal.

## Documentation

Product documentation is available at [sps.honeywell.com](https://sps.honeywell.com).

## Limited Warranty

For warranty information, go to [sps.honeywell.com](https://sps.honeywell.com) and select **Support > Warranties**.

## Patents

For patent information, see [www.hsmpats.com](http://www.hsmpats.com).

## Disclaimer

Honeywell International Inc. (“HII”) reserves the right to make changes in specifications and other information contained in this document without prior notice, and the reader should in all cases consult HII to determine whether any such changes have been made. HII makes no representation or warranties regarding the information provided in this publication.

HII shall not be liable for technical or editorial errors or omissions contained herein; nor for incidental or consequential damages resulting from the furnishing, performance, or use of this material. HII disclaims all responsibility for the selection and use of software and/or hardware to achieve intended results.

This document contains proprietary information that is protected by copyright. All rights are reserved. No part of this document may be photocopied, reproduced, or translated into another language without the prior written consent of HII.

Copyright © 2023 Honeywell Group of Companies. All rights reserved.