



# **MB4-SCN07/MB4A-SCN07 MB12-SCN07/MB12A-SCN07**

---

**Multi-Bay Device Charging Station**

## **Quick Start Guide**

## Overview

The MB4-SCN07/MB4A-SCN07 and MB12-SCN07/MB12A-SCN07 are multi-bay charging stations for use with the 8690i Wearable Mini-Mobile Computer.

The device's battery is not fully charged when shipped. The device should be charged for a minimum of 4 hours before initial use to ensure optimal performance.

## Unpack your charging station

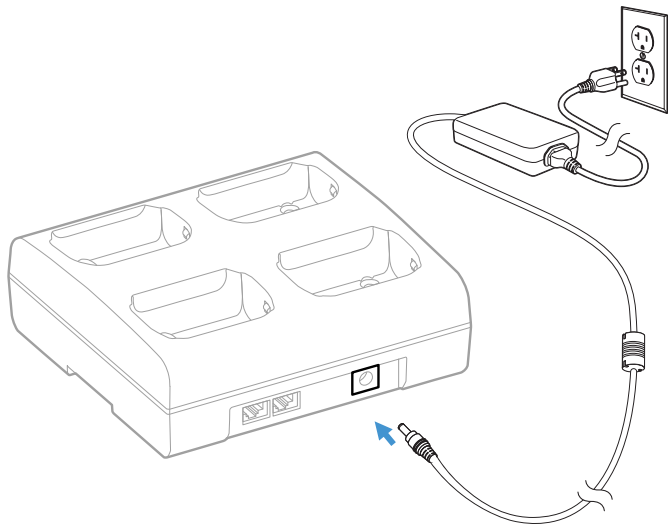
After you open the shipping carton containing the product, take the following steps:

- Check for damage during shipment. Report damage immediately to the carrier who delivered the carton.
- Make sure the items in the carton match your order.
- Save the shipping container for later storage or shipping.

## Power

### MB4-SCN07 and MB4A-SCN07:

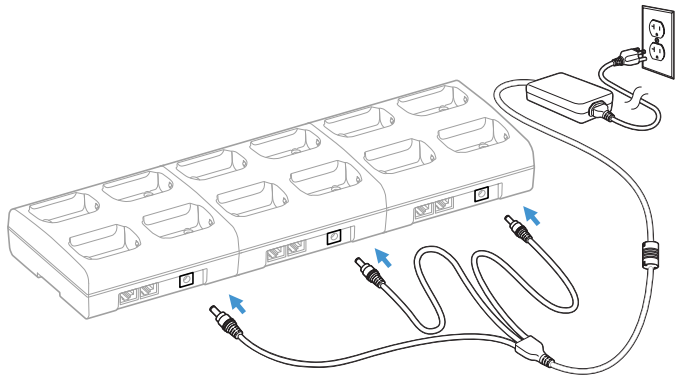
Use only a UL Listed power supply, qualified by Honeywell, with an output rated at 12VDC and 3A with the device. The power supply input rating is 100-240V, 50/60Hz, and 1.5A. Operating temperature -4°F to 104°F (-20°C to 40°C).



**Note:** Ethernet ports available on MB4-SCN07 model only.

## MB12-SCN07 and MB12A-SCN07:

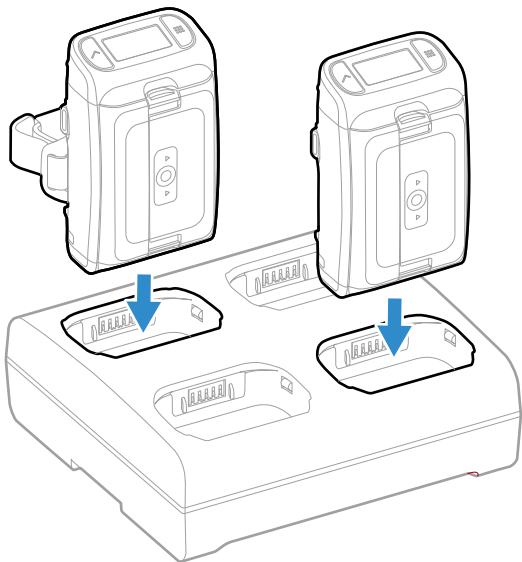
Use only a UL Listed power supply, qualified by Honeywell, with an output rated at 12VDC and 8.5A with the device. The power supply input rating is 85-264V, 47/63Hz. Operating temperature -4°F to 104°F (-20°C to 40°C).



**Note:** Ethernet ports available on MB12-SCN07 model only.

## Charging a Device

Line the device's contacts up with the contacts in the charging pocket. Firmly press the device straight down into the battery charging pocket.



It is important that devices are inserted into the charging pocket correctly. Inserting the device incorrectly could result in damage to the device or the charger.

When the 8690i is placed in a charging pocket, the charger begins charging the battery. There is a slight delay while the charger evaluates the condition of the battery before charging begins.

While charging, the user display shows the battery charge level. The following indicators may also appear:



**49% charge or less**



**50 - 94% charge**



**95% charge or more**



**Battery out of temperature range**



**Bad battery**

## Mount a 4-Bay Charger

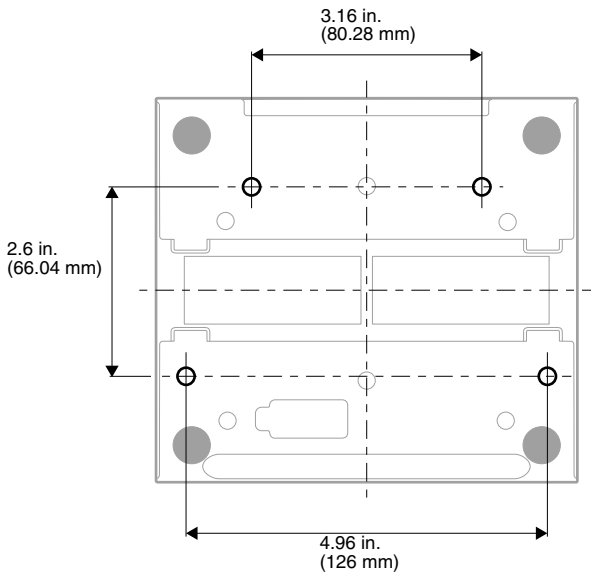
**Note:** *Mounting information applies only to the 4-bay MB4A-SCN07 battery charger. It does not apply to the 12-bay MB12A-SCN07 battery charger.*

The 4-bay charger should be on a dry, stable surface and can be mounted on a flat, horizontal surface such as a desktop or workbench. When choosing a location, always keep in mind:

- The mounting location must allow users easy access to the power connector.
- The charger should be oriented so that users can easily insert and remove devices and see the user displays.

## Option 1

Use the four SL-B M3.5 x 8 screws to mount the charger to a flat, horizontal surface.





## Option 2

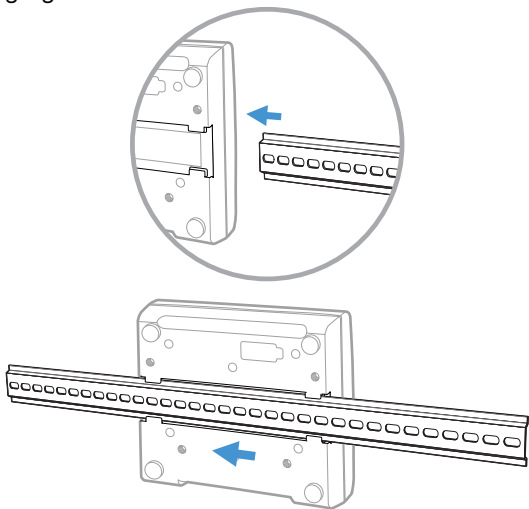
The DIN rail slot on the bottom panel enables secure mounting to a charge rack.

### Hardware Required

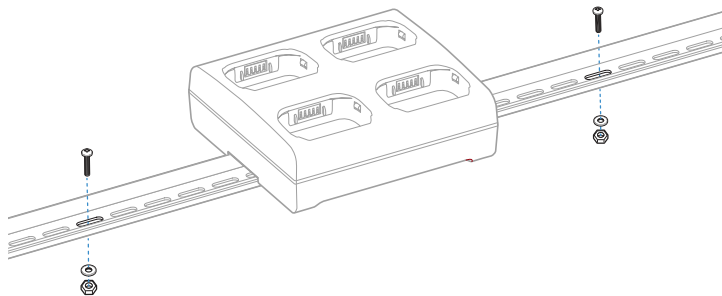
- DIN rail
- 3/16 in. dia. x 5/8 in. long pan head screw
- 1/2 in. OD x 7/32 in. ID x 3/64 in. thick flat washer
- 3/16 in. dia. nut

### Installation

1. Slide the DIN rail into the DIN rail slot on the bottom of the charging station.



- Using the appropriate hardware above, secure the DIN rail to the charge rack.



## Cautions and Warnings



**There is a danger of explosion if the batteries are incorrectly replaced. Use only Honeywell lithium ion battery packs, model number BAT-SCN07 in this device. Use of any non-Honeywell battery may result in damage not covered by the warranty. Dispose of used batteries according to the recycle program for batteries as directed by the governing agency for the country where the batteries are to be discarded.**



**Use the provided AC power supply only. Using any other type of AC power supply is prohibited.**

Do not disassemble or perform modifications to the charging station. There are no user serviceable components in the charging station.

## Support

To search our knowledge base for a solution or to log into the Technical Support portal and report a problem, go to [www.hsmcontactsupport.com](http://www.hsmcontactsupport.com).

## User Documentation

For the user guide and other documentation, go to [www.honeywellaidc.com](http://www.honeywellaidc.com).

## Limited Warranty

For warranty information, go to [www.honeywellaidc.com](http://www.honeywellaidc.com) and click **Resources > Product Warranty**.

## Patents

For patent information, see [www.hsmpats.com](http://www.hsmpats.com).

## Disclaimer

Honeywell International Inc. (“HII”) reserves the right to make changes in specifications and other information contained in this document without prior notice, and the reader should in all cases consult HII to determine whether any such changes have been made. The information in this publication does not represent a commitment on the part of HII.

HII shall not be liable for technical or editorial errors or omissions contained herein; nor for incidental or consequential damages resulting from the furnishing, performance, or use of

this material. HII disclaims all responsibility for the selection and use of software and/or hardware to achieve intended results.

This document contains proprietary information that is protected by copyright. All rights are reserved. No part of this document may be photocopied, reproduced, or translated into another language without the prior written consent of HII.

Copyright © 2020-2021 Honeywell International Inc. All rights reserved.