

## E-Class™ Mark III Printer

型號: E-Class MK IIIA, E-Class MK IIIB, E-Class MK IIIP

### Quick Start Guide

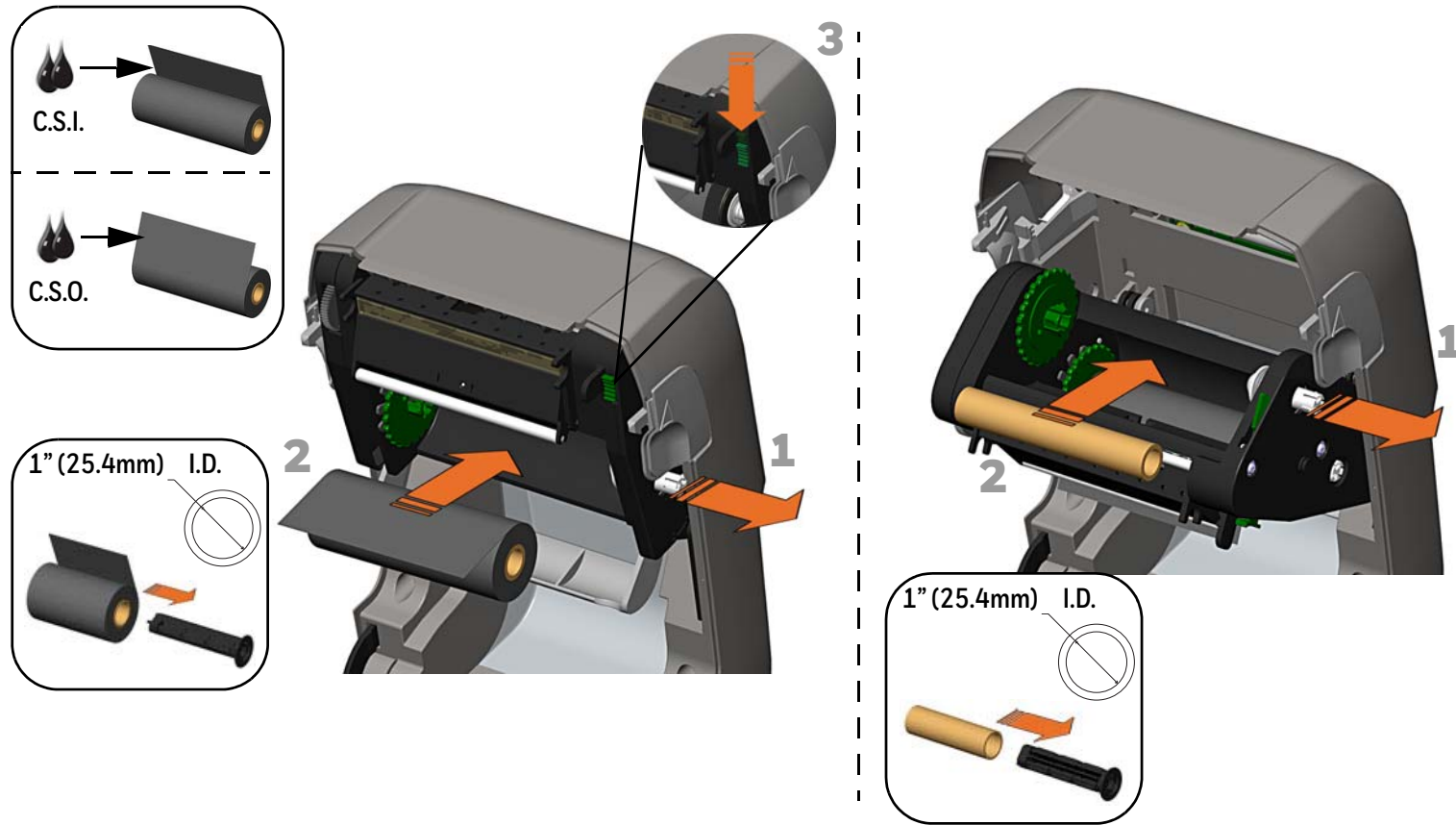
Guia Rápida  
Snelstartgids  
Guide de Démarrage Rapide  
Kurzanleitung  
Guia de Inicio Rápido  
Guida Rapida All'uso  
Podreznik Szybkiej Instalacji  
快速入门指南  
快速開始指南



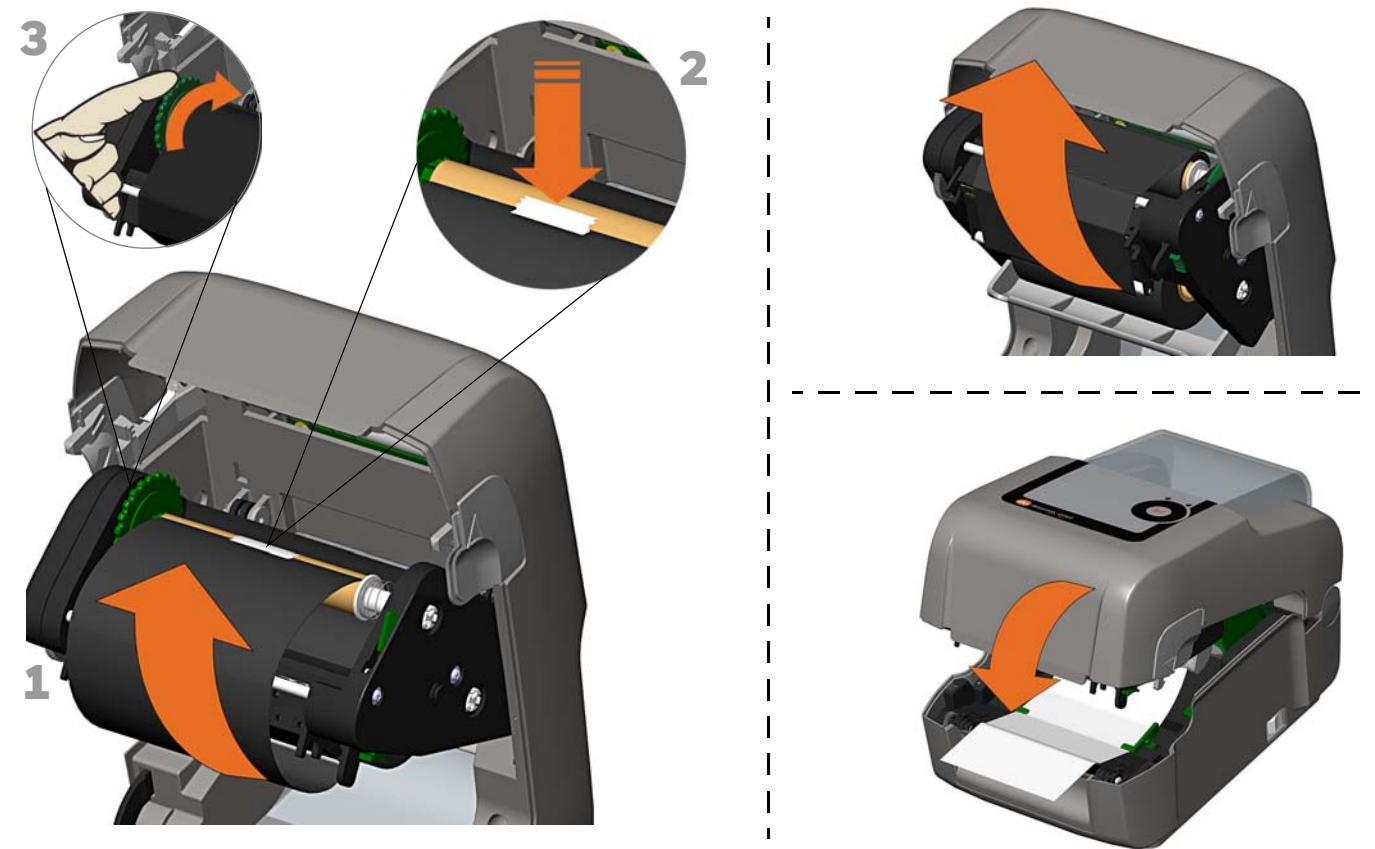
92-2566-01 Rev B  
03/18



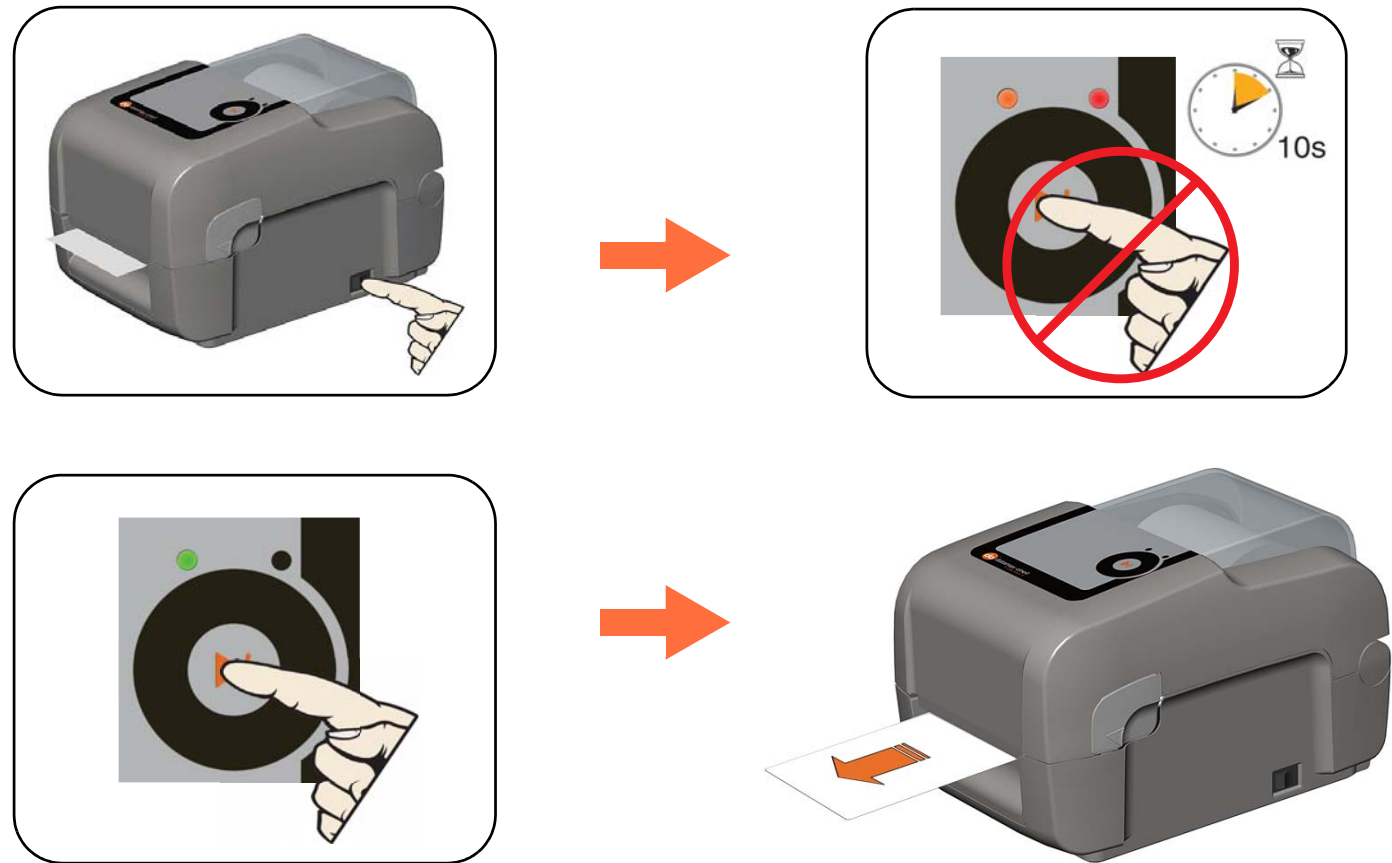
5



6



7



### Support

To search our knowledge base for a solution or to log into the Technical Support portal and report a problem, go to [www.hsmcontactsupport.com](http://www.hsmcontactsupport.com).

### User Documentation

For the user guide and other documentation, go to [www.honeywellaidc.com](http://www.honeywellaidc.com).

### Limited Warranty

For warranty information, go to [www.honeywellaidc.com](http://www.honeywellaidc.com) and click **Get Resources > Product Warranty**.

### Patents

For patent information, see [www.hsmpats.com](http://www.hsmpats.com).

### Disclaimer

Honeywell International Inc. ("HII") reserves the right to make changes in specifications and other information contained in this document without prior notice, and the reader should in all cases consult HII to determine whether any such changes have been made. The information in this publication does not represent a commitment on the part of HII.

HII shall not be liable for technical or editorial errors or omissions contained herein; nor for incidental or consequential damages resulting from the furnishing, performance, or use of

this material. HII disclaims all responsibility for the selection and use of software and/or hardware to achieve intended results.

This document contains proprietary information that is protected by copyright. All rights are reserved. No part of this document may be photocopied, reproduced, or translated into another language without the prior written consent of HII.

Copyright © 2018 Honeywell International Inc. All rights reserved.