



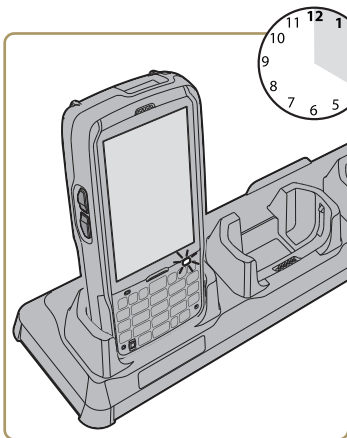
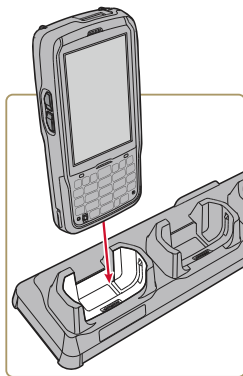
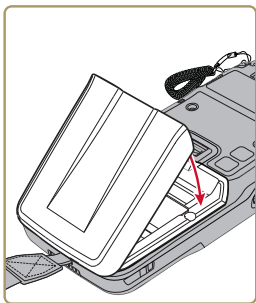
THE POWER OF **CONNECTED**

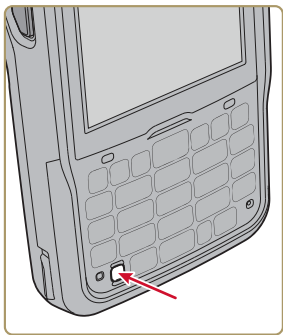
# CN51

---

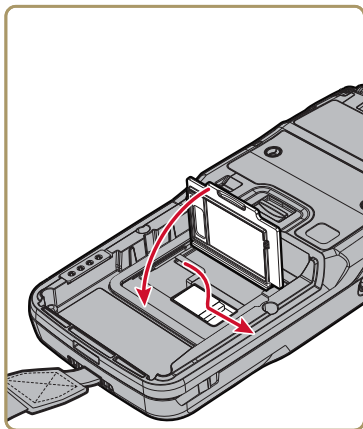
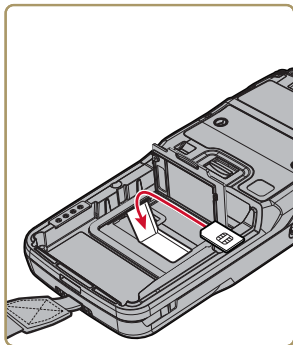
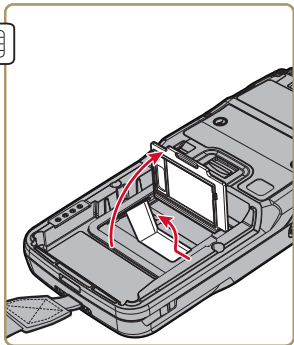
Mobile Computer

## Quick Start Guide





**Note:** *The Android robot is reproduced or modified from work created and shared by Google and used according to terms described in the Creative Commons 3.0 Attribution License.*



The CN51 is equipped with a battery pack (1015AB01). Battery chargers are sold and ordered separately. For help, contact your Honeywell sales representative.

Das CN51 ist mit einem Akkupack ausgestattet (1015AB01). Ladegeräte separat erhältlich. Wenden Sie sich an Ihren Ansprechpartner bei Honeywell, wenn Sie Hilfe benötigen.

El CN51 está equipado con un paquete de pilas (1015AB01). Los cargadores de pilas se ordenan y venden por separado. Para obtener ayuda, comuníquese con su representante de ventas de Honeywell.

Le CN51 est équipé d'une batterie (1015AB01). Les chargeurs de batterie sont vendus et commandés séparément. Pour obtenir de l'aide, contactez votre représentant commercial de Honeywell.

CN51 bir pil takımı (1015AB01) ile donatılmıştır. Şarj cihazları ayrıca satılır ve sipariş edilir. Yardım için Honeywell satış temsilcinizle temasa geçin.

CN51 è dotato di batteria (1015AB01). I caricabatteria sono venduti e vanno ordinati separatamente. Per assistenza, rivolgersi al rappresentante di vendita Honeywell.

CN51にはバッテリーパック（1015AB01）が付属しています。充電器は別売りです。サポートが必要な場合は、Honeywell 販売担当者までお問い合わせください。

CN51에는 배터리 팩(1015AB01)이 장착되어 있습니다. 배터리 충전기는 별도로 주문 및 판매됩니다. 지원이 필요한 경우에는 Honeywell 대리점에 문의하십시오 .

O CN51 está equipado com uma bateria (1015AB01). Carregadores de bateria são vendidos e solicitados separadamente. Para obter ajuda, entre em contato com o representante de vendas da Honeywell.

CN51 оснащён аккумулятором (1015AB01). Зарядное устройство заказывается отдельно. Для получения справочной информации обратитесь к торговому представителю компании Honeywell.

**CN51 มาพร้อมชุดแบตเตอรี่ (1015AB01) ที่ชาร์จแบตเตอรี่มีจำหน่ายและสามารถสั่งซื้อแยกต่างหากได้ หากต้องการความช่วยเหลือ โปรดติดต่อตัวแทนจำหน่าย Honeywell ของคุณ.**

CN51 bir pil takımı (1015AB01) ile donatılmıştır. Şarj cihazları ayrıca satılır ve sipariş edilir. Yardım için Honeywell satış temsilcinizle temasa geçin.

CN51 配有电池组 (1015AB01)。电池充电器单独出售，需要另行订购。如需帮助，请联系您的 Honeywell 销售代表。

CN51 型號已配備電池組 (1015AB01)。電池充電器另售，必須另行訂購。請與 Honeywell 銷售代表聯絡以尋求協助。

Caution: See Compliance Insert for use restrictions associated with this product.

Vorsicht: Das Konformitätsblatt führt etwaige Verwendungseinschränkungen für dieses Produkt an.

Precaución: Consulte el Inserto de cumplimiento para ver las restricciones de uso asociadas con este producto.

Mise en garde : Consultez la Déclaration de conformité pour les restrictions d'usage associées à ce produit.

Hati-hati: Bacalah Sisipan Kepatuhan tentang pembatasan pemakaian yang terkait dengan produk ini.

**Attenzione:** Consultare l'inserito sulla conformità per informazioni sulle limitazioni d'uso di questo prodotto.

**警告：**本製品の使用制限は、適格性に関する折り込みをご参照下さい。

**조 :** 본 제품과 관련된 사용 제한에 대한 자세한 내용은 준수 규정을 참조하십시오 .

**Cuidado:** Consulte as informações sobre as restrições de uso associadas a este produto no encarte sobre conformidade.

**Осторожно:** См. ограничения, связанные с использованием устройства, на вкладыше с требованиями по обеспечению соответствия.

**ข้อเตือน** ดูการใส่เข้าสำหรับการใช้ข้อจำกัดที่เกี่ยวข้องกับผลิตภัณฑ์

**Dikkat:** Bu ürünle ilgili kullanım kısıtlamaları için Uyumluluk Ek Sayfasına bakın.

**警告：**有关本产品相关的使用限制，请参阅“符合性插页”。

**警告：**請參見規範插頁中有關本產品使用限制方面的說明。

**האזהרה:** תומיאתה ון לעב וייע, זה צומל תושוקה תולבגה לע עדימל.

**Electrical rating. Stromversorgung. Calificación eléctrica.**

**Cote électrique. Peringkat kelistrikan. Specifiche elettriche.**

**電流單位。전기 등급 . Especificações eléctricas. Питание.**

**อัตราอิเล็กทรอนิกส์. Voltaj bilgileri. 额定电压及电流。**

**電子規定値 : x 4,65 V 3 A**

## Support

To search our knowledge base for a solution or to log into the Technical Support portal and report a problem, go to [www.hsmcontactsupport.com](http://www.hsmcontactsupport.com).

## User Documentation

For the user guide and other documentation, go to [www.honeywellaidc.com](http://www.honeywellaidc.com).

## Limited Warranty

For warranty information, go to [www.honeywellaidc.com](http://www.honeywellaidc.com) and click **Get Resources > Product Warranty**.

## Patents

For patent information, see [www.hsmpats.com](http://www.hsmpats.com).

## Disclaimer

Honeywell International Inc. (“HII”) reserves the right to make changes in specifications and other information contained in this document without prior notice, and the reader should in all cases consult HII to determine whether any such changes have been made. The information in this publication does not represent a commitment on the part of HII.

HII shall not be liable for technical or editorial errors or omissions contained herein; nor for incidental or consequential damages resulting from the furnishing, performance, or use of this material. HII disclaims all responsibility for the selection and use of software and/or hardware to achieve intended results.



This document contains proprietary information that is protected by copyright. All rights are reserved. No part of this document may be photocopied, reproduced, or translated into another language without the prior written consent of HII.

Copyright © 2014-2017 Honeywell International Inc. All rights reserved.