

Honeywell

CT60 and CT60 XP Universal Dock Accessories

User Guide

Disclaimer

Honeywell International Inc. (“HII”) reserves the right to make changes in specifications and other information contained in this document without prior notice, and the reader should in all cases consult HII to determine whether any such changes have been made. HII makes no representation or warranties regarding the information provided in this publication.

HII shall not be liable for technical or editorial errors or omissions contained herein; nor for incidental or consequential damages resulting from the furnishing, performance, or use of this material. HII disclaims all responsibility for the selection and use of software and/or hardware to achieve intended results.

This document contains proprietary information that is protected by copyright. All rights are reserved. No part of this document may be photocopied, reproduced, or translated into another language without the prior written consent of HII.

Copyright © 2022 Honeywell International Inc. All rights reserved.

Web Address: sps.honeywell.com

Trademarks

Other product names mentioned in this manual may be trademarks or registered trademarks of their respective companies and are the property of their respective owners.

Patents

For patent information, see www.hsmpats.com.

TABLE OF CONTENTS

Customer Support	iii
Technical Assistance	iii
Product Service and Repair	iii
Limited Warranty	iii
Chapter 1 - Introduction	1
List of Universal Dock Accessories.....	2
Agency Models.....	2
Chapter 2 - Home Base and Ethernet Home Base	3
Features	3
Out of the Box	4
Connect Power	4
Charge the Battery Pack.....	5
Replace the Battery Cup.....	6
Status LED	7
Mount the Home Base	8
Chapter 3 - Charge Base and Ethernet Base.....	9
Features	9
Out of the Box	10
Connect Power	10
Charge the Battery Pack.....	11
Mount the Charge Base or Net Base	11

Chapter 4 - 5-Bay Charge Base	13
Features.....	13
Out of the Box.....	14
Connect Power.....	14
Chapter 5 - Display Dock	15
Features.....	15
Out of the Box.....	16
Dock Connectors.....	16
Connect Power	16
Connect to Monitor	16
Connect to an Ethernet Network.....	16
Connect to an USB Device.....	17
Status LED.....	17
Check Software on Computer	17
Insert Computer into the Dock.....	17
Configure the Display Dock Settings.....	18
Set Display Dock Settings.....	18
Set Monitor Settings	18
Set Peripheral Settings	19
Set Mode Settings.....	19
Connected Devices	19
Monitor Connections.....	19
USB Devices	19
Clean the Dock.....	20
Mount the Display Dock.....	20
Chapter 6 - Universal Dock Cups.....	21
Out of the Box.....	21
Replacing a Universal Cup.....	22

Customer Support

Technical Assistance

Go to sps.honeywell.com, and then select **Support > Productivity** to find a host of options to help you quickly find the support you need and/or who to contact.

Product Service and Repair

Honeywell International Inc. provides service for all of its products through service centers throughout the world. Go to sps.honeywell.com, and then select **Support** to find a service center near you or to get a Return Material Authorization number (RMA #) before returning a product.

Limited Warranty

For warranty information, go to sps.honeywell.com and select **Support > Warranties**.

INTRODUCTION

Honeywell offers a full range of Universal Dock accessories for the CT60 and CT60 XP mobile computers, including:

- Home Bases and Ethernet Bases for one device and one battery ([page 3](#))
- Charge and Ethernet Bases for up to four devices ([page 9](#))
- Display Docks ([page 15](#))
- Replacement Cups for Universal Bases ([page 21](#))

Note: *Throughout this manual, all versions of the mobile device are referred to as the computer unless information is specific to a particular model.*



Caution: We recommend the use of Honeywell accessories and power adapters. Use of any non-Honeywell accessories or power adapters may cause damage not covered by the warranty.

Mise en garde : Il est recommandé d'utiliser les périphériques, les cordons d'alimentation et les adaptateurs secteur conçus par Honeywell. L'utilisation de tout périphérique, cordon d'alimentation ou adaptateur secteur d'une autre marque est susceptible de provoquer des dommages non couverts par la garantie.



Caution: Make sure that all components are dry prior to using the computers and batteries with accessories. Using wet components may cause damage not covered by the warranty.

Mise en garde : Assurez-vous que tous les composants sont secs avant de connecter les terminaux/batteries à des périphériques. L'insertion de composants humides risque de provoquer des dommages non couverts par la garantie.

To learn about Battery Maintenance for Portable Devices, go to honeywell.com/PSS-BatteryMaintenance.

List of Universal Dock Accessories

For a complete list of accessories for your mobile computer and their part numbers see the Accessories Catalog for your device, available for download at sps.honeywell.com.

Accessory	Part Number	Use With
Universal Home Base	CT60-HB-UVN	CT60/CT60 XP
Universal Ethernet Home Base	CT60-EB-UVN	CT60/CT60 XP
Universal Charge Base	CT60-CB-UVN	CT60/CT60 XP
Universal Ethernet (Net) Base	CT60-NB-UVN	CT60/CT60 XP
Universal Display Dock	CT60-DB-UVN	CT60/CT60 XP
Universal 5-Bay Charger	CT60-5CB-UVN	CT60/CT60 XP
Universal Cup	CT60-UCP-N	CT60/CT60 XP

Contact your local sales representative for ordering information.

Agency Models

CT40-HB, CT40-EB, CT40-CB, CT40-NB, CT40-DB, ME-5bay-CB

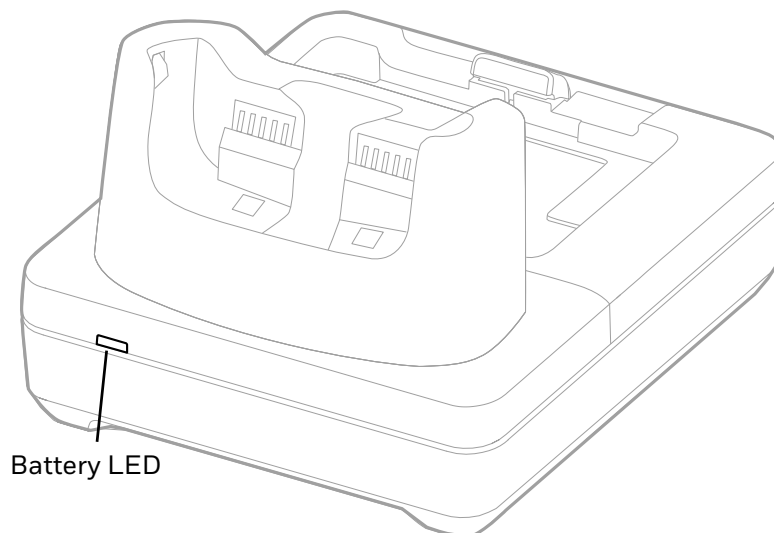
HOME BASE AND ETHERNET HOME BASE

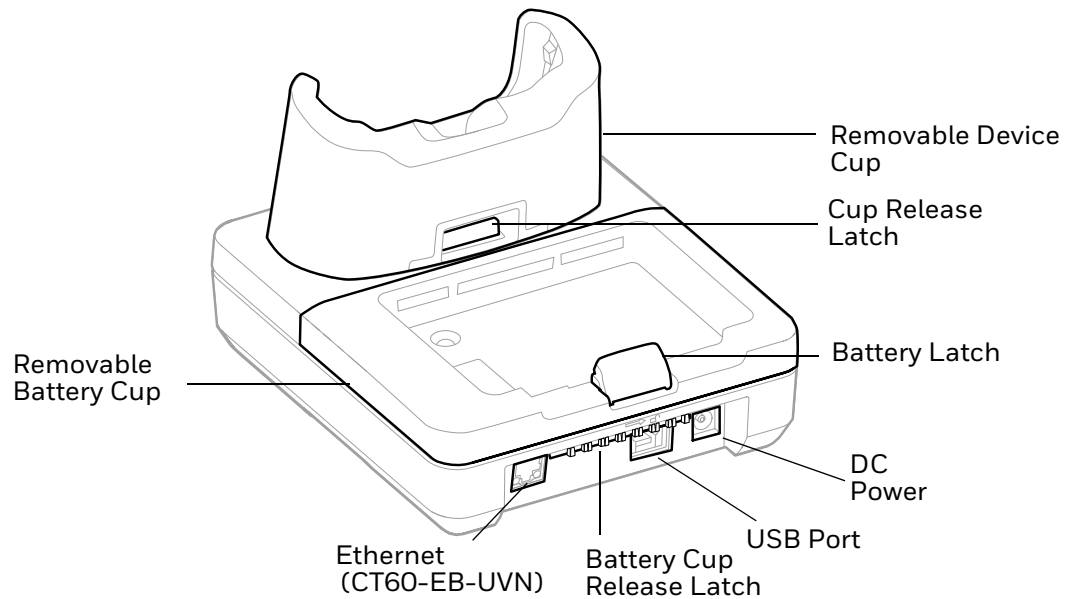
A Home Base is a charge/communication base for one mobile computer and one spare battery. The CT60-HB-UVN Universal Dock Home Base has one USB client connector.

An Ethernet Home Base is also a charge/communication base for one mobile computer and one spare battery. However, the CT60-EB-UVN Universal Dock Ethernet Base also has an Ethernet connector as well as a USB client connector (Type B).

Universal Dock bases have removable device cups that can be replaced. (See [Universal Dock Cups](#) on page 21.) The CT60 Universal Dock Home Base and Ethernet Home Base also have removable battery cups. (See [Replace the Battery Cup](#) on page 6.)

Features





Out of the Box

Make sure that your shipping box contains these items:

- Universal Dock Home Base (CT60-HB-UVN) or Universal Dock Ethernet Home Base (CT60-EB-UVN)
- Power supply
- Power cord (if purchased)
- Product documentation

If any of these items are missing or appear damaged, contact your Customer Account Representative. Keep the original packaging in the event that you need to return the base for service or if you want to store the charger while not in use.

Connect Power

Use only a UL Listed power supply that has been qualified by Honeywell with an output rated at 12VDC and 3A. The power supply input rating is 90-264 VAC, 50/60 Hz. The operating temperature is -10 °C to 50 °C (14 °F to 122 °F). The maximum output of the base is 5VDC/2A.

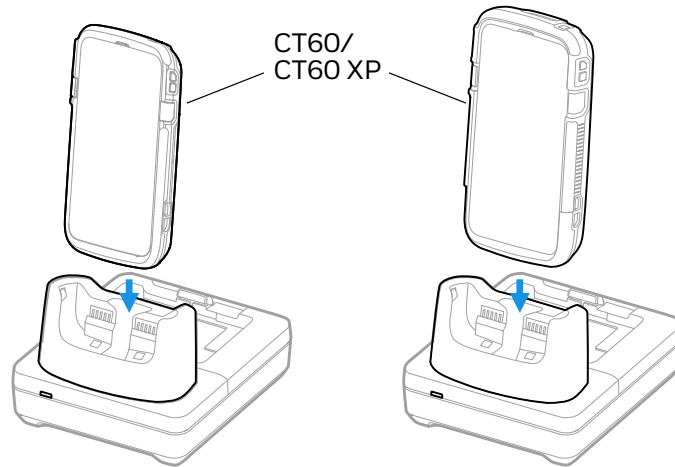
1. Plug the power cord into the power supply.
2. Plug the power supply cable into the power connector on the back of the base.

3. Plug the power cord into a standard wall outlet.

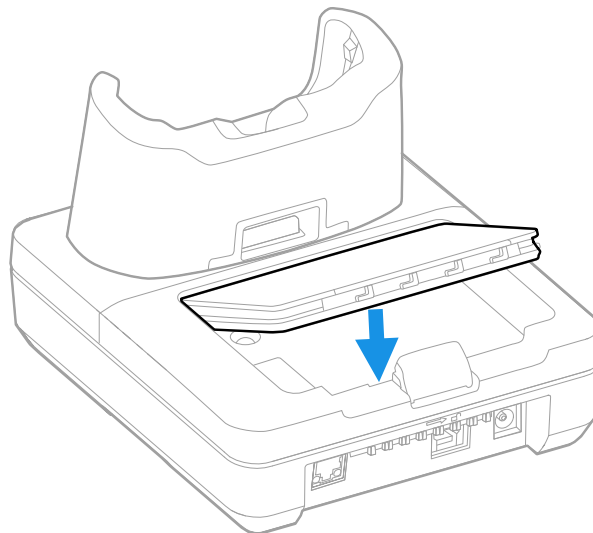
Charge the Battery Pack

Insert computer into the Home Base (CT60-HB-UVN) or Ethernet Home Base (CT60-EB-UVN). Unit will not charge unless a battery is installed.

CT60-HB-UVN/CT60-EB-UVN



You can also, insert a battery pack into the Home Base for charging.



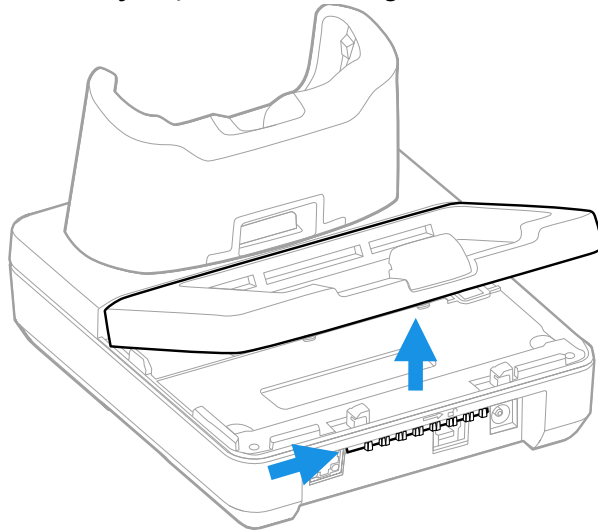
Replace the Battery Cup

The CT60-HB-UVN and CT60-EB-UVN Universal Dock bases have replaceable battery cups.

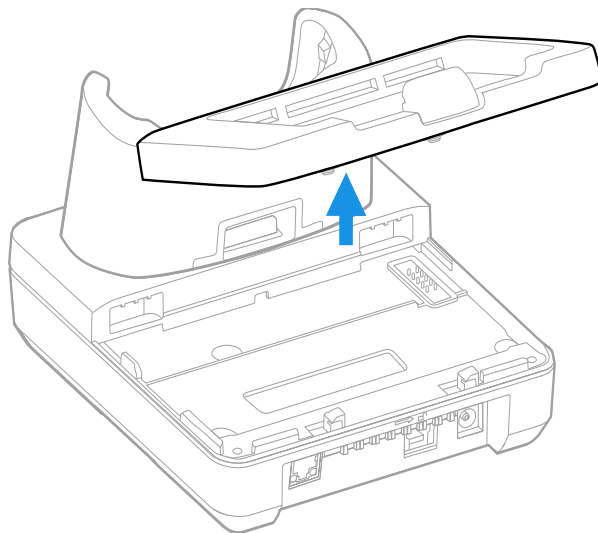


Caution: Keep the base flat to avoid dropping the battery cup.

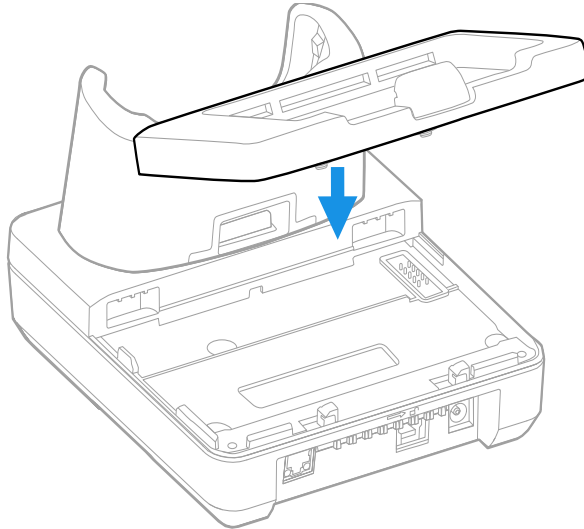
1. Remove all cables to allow clear access to the latch.
2. While holding the battery cup latch to the right, lift the back of the cup.



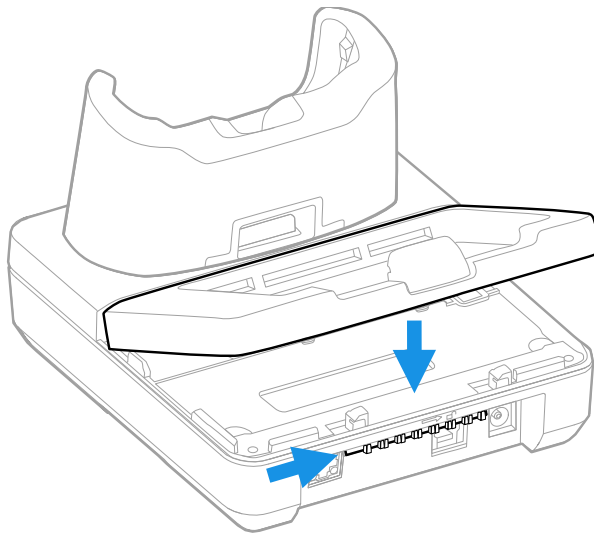
3. Release the latch and lift the old cup out of the base.



4. Insert the new cup tilted slightly towards the front of the base.



5. While holding the latch to the right, push the back of the cup into the base until it snaps in.



6. Release the latch.

Status LED

LED	Status	Description
Battery	Solid Green	The battery is connected to external power and is fully charged.
	Solid Amber	The battery is connected to external power and is charging.
	Solid Red	There is a battery charging fault, such as over-temperature.

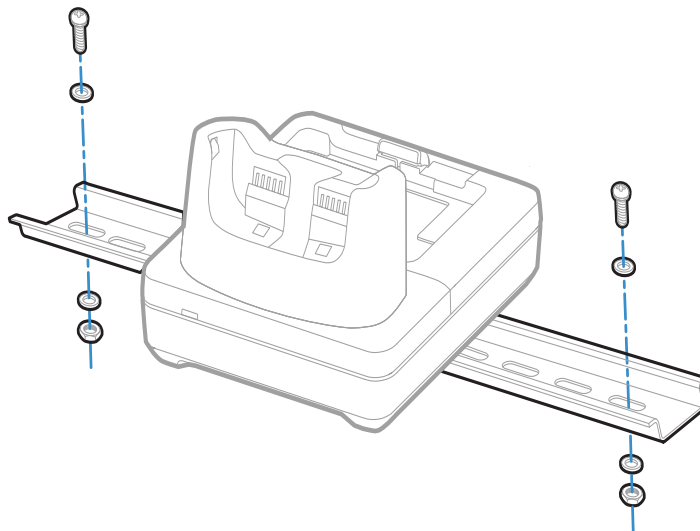
Mount the Home Base

You can mount the Home Base on a flat, horizontal surface such as a desktop or workbench with an optional DIN rail.

Mounting hardware required:

- DIN rail
- 3/16-inch diameter x 5/8-inch long pan head screw
- 1/2-inch OD x 7/32-inch ID x 3/64-inch thick washer
- 3/16-inch diameter nut

1. Slide the DIN rail into the slot on the bottom of the Home Base.
2. Secure the DIN rail to the flat surface with the hardware.



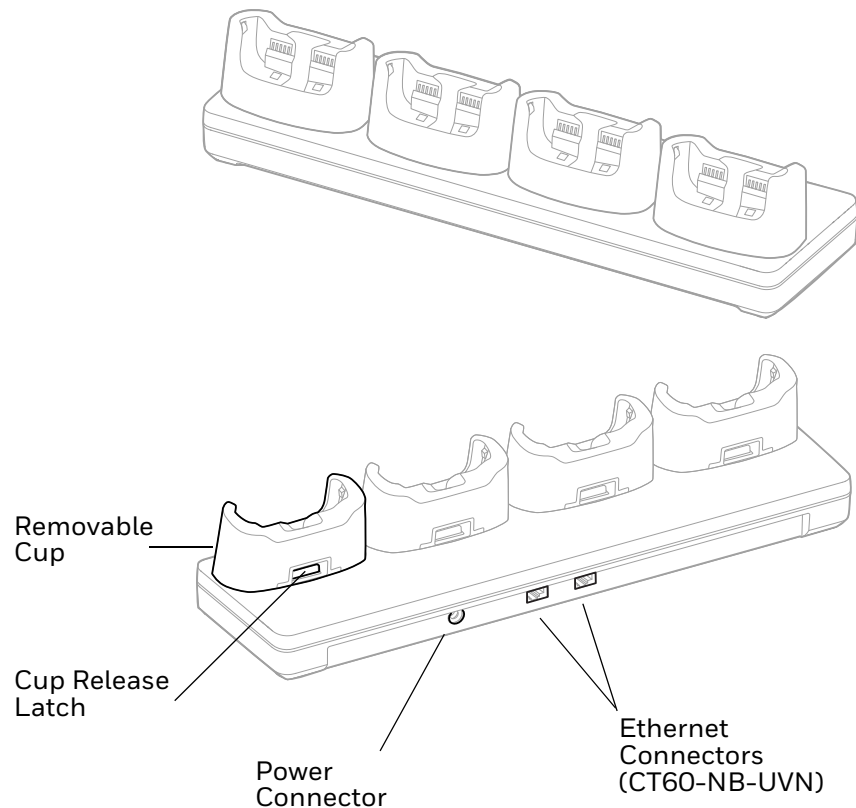
CHARGE BASE AND ETHERNET BASE

The CT60-CB-UVN Universal Dock Charge Base charges up to four mobile computers.

Universal Dock Ethernet (Net) Base CT60-NB-UVN holds four mobile computers and functions as both a charge and communication base, with two RJ45 Ethernet ports.

Universal bases have removable cups that can be replaced. (See [Universal Dock Cups](#) on page 21.)

Features



Out of the Box

Make sure that your shipping box contains these items:

- Universal Dock Charge Base (CT60-CB-UVN) or Universal Dock Ethernet Base (CT60-NB-UVN)
- Power supply
- Power cord (if purchased)
- Product documentation

If any of these items are missing or appear damaged, contact your Customer Account Representative. Keep the original packaging in the event that you need to return the base for service or if you want to store the charger while not in use.

Connect Power

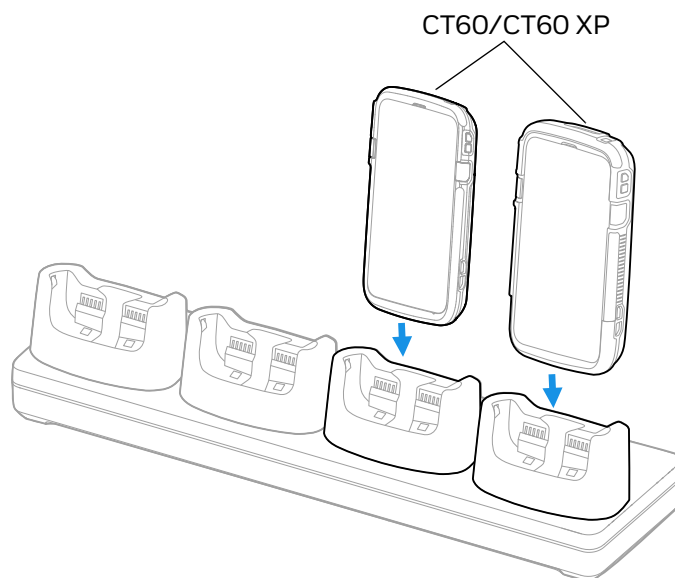
Use only a UL Listed power supply that has been qualified by Honeywell with an output rated at 12V/7A. The power supply input rating is 100-240 VAC, 50/60 Hz. The operating temperature is -10 °C to 50 °C (14 °F to 122 °F).

1. Plug the power cord into the power supply.
2. Plug the power supply cable into the power connector on the back of the base.
3. Plug the power cord into a standard wall outlet.

Charge the Battery Pack

Insert device with battery installed into the Charge Base or Net Base.

CT60-CB-UVN/CT60-NB-UVN



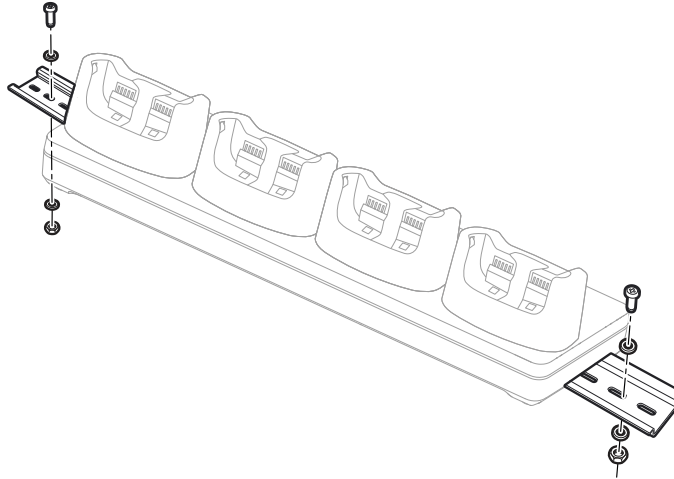
Mount the Charge Base or Net Base

You can mount the charger on a flat, horizontal surface such as a desktop or workbench with an optional DIN rail.

Mounting hardware required:

- DIN rail
- 3/16-inch diameter x 5/8-inch long pan head screw
- 1/2-inch OD x 7/32-inch ID x 3/64-inch thick washer
- 3/16-inch diameter nut

1. Slide the DIN rail into the slot on the bottom of the Charge Base or Net Base.
2. Secure the DIN rail to the flat surface with the hardware.

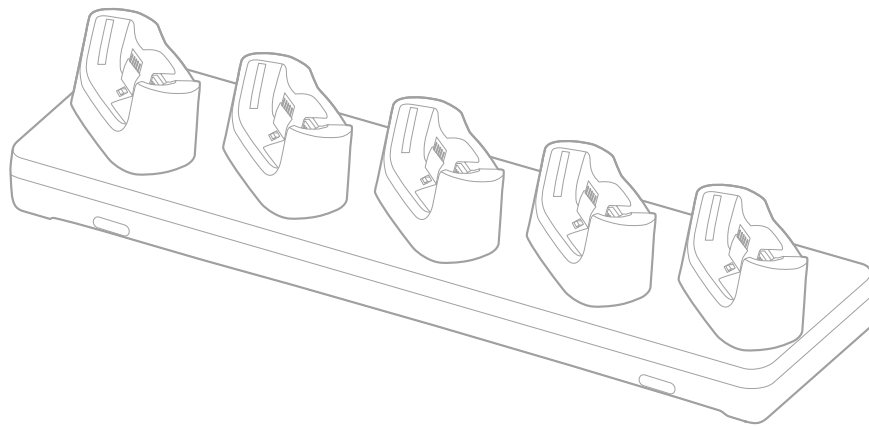


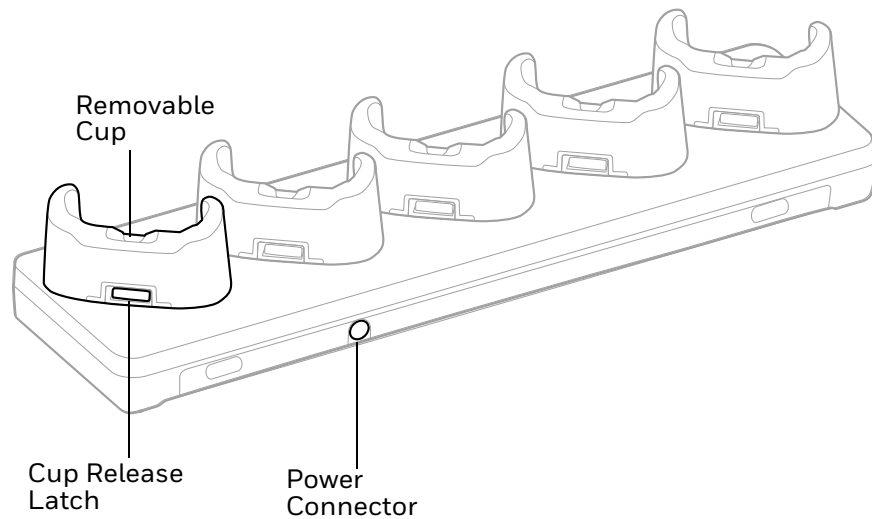
5-BAY CHARGE BASE

The Universal Dock Five-Bay Charge Base provides the flexibility of charging five units.

Universal Dock bases have removable cups that can be replaced. (See [Universal Dock Cups](#) on page 21.)

Features





Out of the Box

Make sure that your shipping box contains these items:

- 5-Bay Charge Base (CT60-5CB-UVN)
- Power supply
- Power cord (if purchased)
- Product documentation

If any of these items are missing or appear damaged, contact your Customer Account Representative. Keep the original packaging in the event that you need to return the base for service or if you want to store the charger while not in use.

Connect Power

Use only a UL Listed power supply that has been qualified by Honeywell with an output rated at 12V/8A. The power supply input rating is 100-240 VAC, 50/60 Hz. The operating temperature is 0 °C to 45 °C (32 °F to 113 °F).

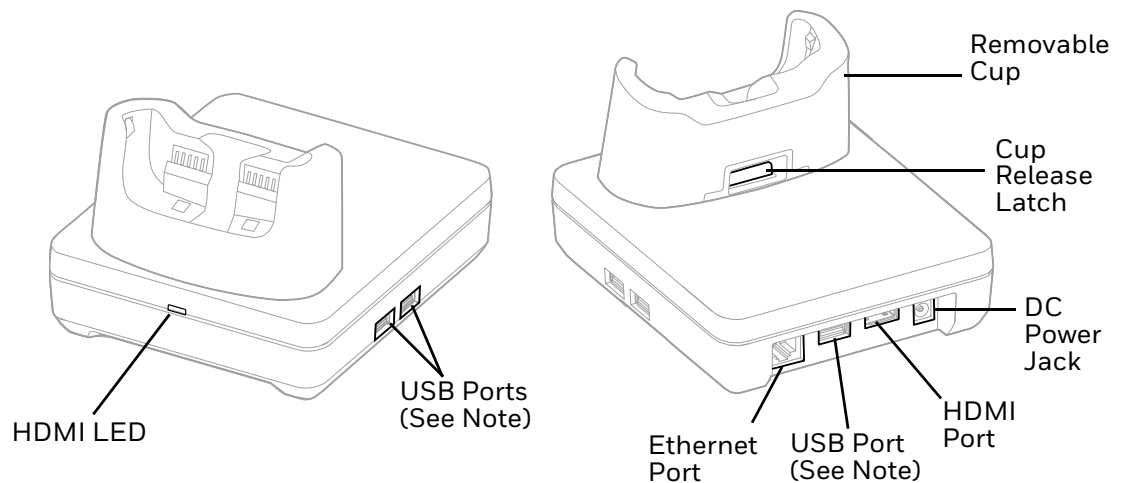
1. Plug the power cord into the power supply.
2. Plug the power supply cable into the power connector on the back of the base.
3. Plug the power cord into a standard wall outlet.

DISPLAY DOCK

A display dock allows a CT60 or CT60 XP to become a personal computer. A monitor, keyboard, mouse, and audio can be connected through the dock via the USB ports. The dock also provides an Ethernet connection.

Universal bases have removable cups that can be replaced. (See [Universal Dock Cups](#) on page 21.)

Features



Note: The display dock supports USB direct connections only. The dock does not support USB hub connections, including keyboards with USB port(s).

Out of the Box

Make sure that your shipping box contains these items:

- CT60 Universal Display Dock (CT60-DB-UVN)
- Power adapter
- Power cord
- Regulatory Sheet

If any of these items are missing or appear damaged, contact your Customer Account Representative. Keep the original packaging in the event that you need to return the base for service or if you want to store the charger while not in use.

Dock Connectors

Connect Power

Use only a UL Listed power supply that has been qualified by Honeywell with an output rated at 12 VDC and 3 A. The power supply input rating is 100-240 VAC, 50/60 Hz. The operating temperature is --10°C to 50°C (14°F to 122°F). The maximum output of the base is 5VDC/2A.

1. Plug the power cord into the power supply.
2. Plug the power supply cable into the power jack on the back of the dock.
3. Plug the power cord into a standard wall outlet.

Connect to Monitor

Note: See [Monitor Connections](#) on page 19 for a list of approved connections.

1. Plug the HDMI cable into the dock.
2. Plug the other end of the HDMI cable into the monitor.

Connect to an Ethernet Network

1. Plug the Ethernet cable into the dock.
2. Place the computer in the dock.

Note: For advanced Ethernet settings, go to sps.honeywell.com for the CT60 User Guide.

Connect to an USB Device

Note: See [USB Devices](#) on page 19 for a list of approved USB devices.

Note: The dock supports USB direct connections only. The dock does not support USB hub connections, including keyboards with USB port(s).

Plug the USB type A cable into a USB port on the dock.

Status LED

Status	Description
Constant Green	The dock is connected through HDMI.
Off	The dock is not connected or lost connection through HDMI.

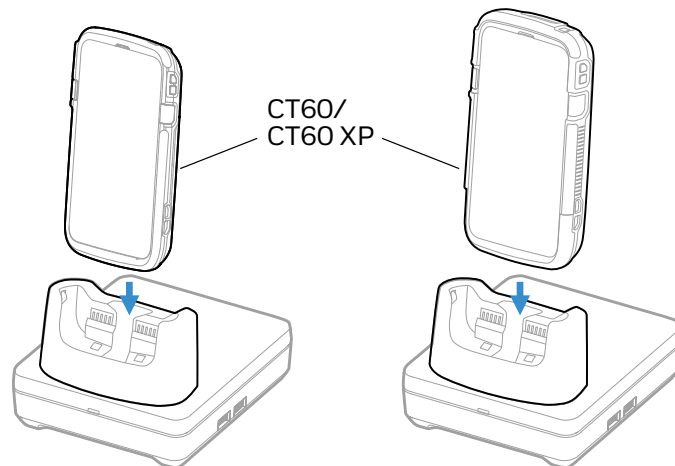
Check Software on Computer

Before using the Display Dock ensure your computer is running the DisplayLink software. Honeywell recommends updating your unit to the latest operating system for best results.

Insert Computer into the Dock

Ensure the computer is fully seated into the dock.

CT60-DB-UVN



The first time you insert the computer into the dock, prompts appear on the screen. Follow the prompts on the screen to:

- Set default for DisplayLink Presenter to open when the USB device is connected.

- Start capturing everything that is displayed on your screen.

Note: *These prompts no longer appear when you insert the device into the dock unless you left “Don’t show again” unchecked.*

The computer will automatically change to landscape and the resolution will update to the monitor settings.

Configure the Display Dock Settings

You can configure the parameters on the computer for the Display Dock using the Display Dock Settings app.

Set Display Dock Settings



The Display Dock Settings app is available from the all apps menu under Settings.

1. Swipe up from the bottom of the Home screen to access all apps.
2. Tap **Settings** > **Honeywell Settings** > **Display Dock Setting**.

Set Monitor Settings

1. Swipe up from the bottom of the Home screen to access all apps.
2. Tap **Settings** > **Honeywell Settings** > **Display Dock Setting**.
3. Choose one of the following options to set the view:
 - Tap **System portrait screen**, to have the computer stay in portrait view.
 - Tap **System landscape screen**, to have the computer stay in landscape view.
4. To set the system resolution, tap **Resolution** and choose one of the following options:
 - **1080 x 1920**
 - **720 x 1280**
5. To set the density, tap **Density** and chose one of the following options:
 - **160**
 - **240**
 - **320**
 - **400**

Set Peripheral Settings

1. Swipe up from the bottom of the Home screen to access all apps.
2. Tap **Settings** > **Honeywell Settings** > **Display Dock Setting**.
3. To set the right mouse button to the back key, tap **Right mouse button** to toggle the feature on or off.
4. Tap **HDMI audio** to toggle between  **Sound to terminal** or  **Sound to external monitor**.

Set Mode Settings

1. Swipe up from the bottom of the Home screen to access all apps.
2. Tap **Settings** > **Honeywell Settings** > **Display Dock Setting**.
3. To set the external monitor mode:
 - Select **Primary Mode** to automatically adjust as configured in settings or
 - Select **Mirror mode** to match the terminals settings.

Connected Devices

Monitor Connections

Supported Devices

- HDMI versions 1.4 and above
- VGA - supported through HDMI/VGA converter
- DVI - supported through HDMI/DVI converter

Non-Supported Devices

- HDMI splitter for two monitors
- Display Port

USB Devices

Supported Devices

- Standard three button mouse with scroll
- Standard QWERTY keyboard without HUB/USB type A ports on the keyboard
- USB headset/USB to 3.5mm audio converter

- USB mass storage devices (thumb drives), not recommended for large transfers (over 1GB)

Non-Supported Devices

- USB Hubs
- USB devices with additional USB type A ports

Clean the Dock

You may need to clean the dock to keep the dock in good working order. Clean the dock as often as needed for the environment in which you are using the dock with a dry soft cloth.

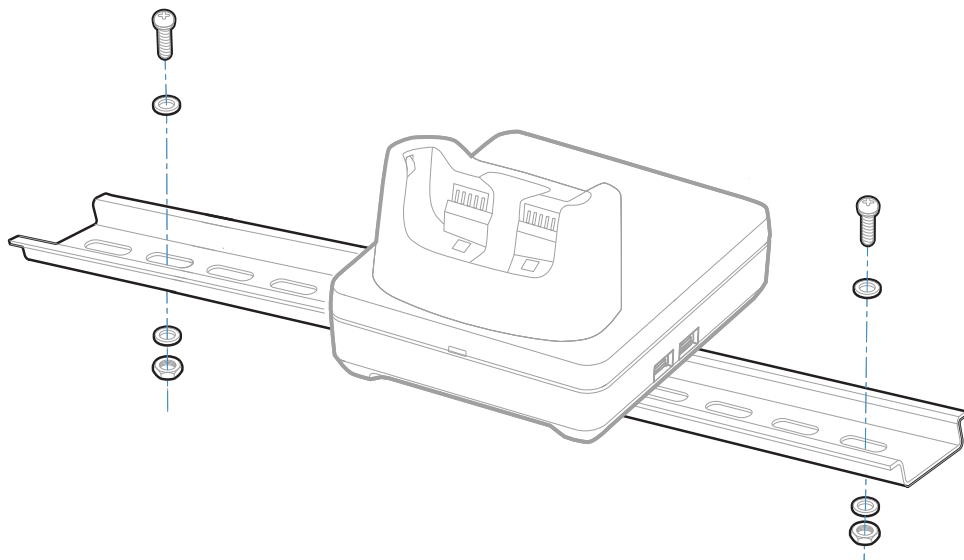
Mount the Display Dock

You can mount the dock on a flat, horizontal surface such as a desktop or workbench with an optional DIN rail.

Mounting hardware required:

- DIN rail
- 3/16-inch diameter x 5/8-inch long pan head screw
- 1/2-inch OD x 7/32-inch ID x 3/64-inch thick washer
- 3/16-inch diameter nut

1. Slide the DIN rail into the slot on the bottom of the dock.
2. Secure the DIN rail to the flat surface with the hardware.



UNIVERSAL DOCK CUPS

Universal Docks have removable cups that can be replaced with Universal Cups CT60-UCP-N.

For more information about universal docks for CT60 and CT60 XP computers, see:

- [Home Base and Ethernet Home Base](#) (page 3)
- [Charge Base and Ethernet Base](#) (page 9)
- [Display Dock](#) (page 15)

Out of the Box

Make sure that your shipping box contains these items:

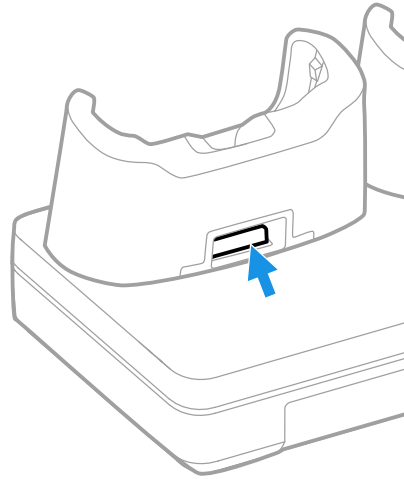
- Universal Cup (CT60-UCP-N)

If any of these items are missing or appear damaged, contact your Customer Account Representative. Keep the original packaging in the event that you need to return the base for service or if you want to store the charger while not in use.

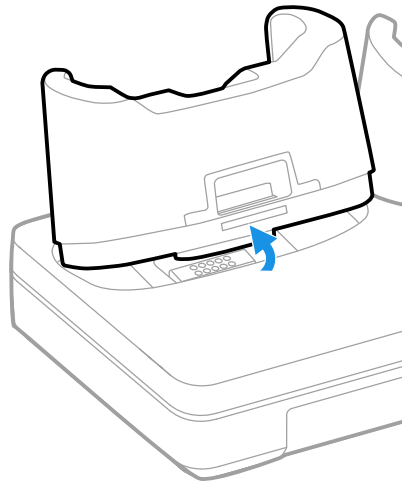
Replacing a Universal Cup

Note: The Universal Charge base is shown in the instructions below for illustration purposes. The steps for removing and inserting a cup are the same for all universal bases.

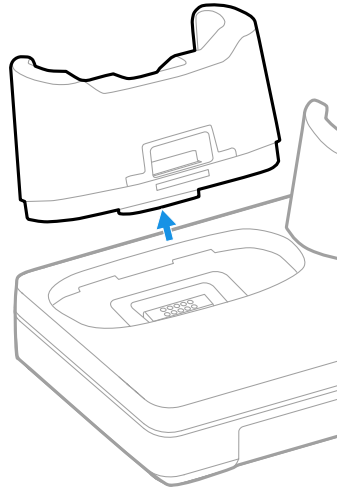
1. Push the latch towards the front of the base.



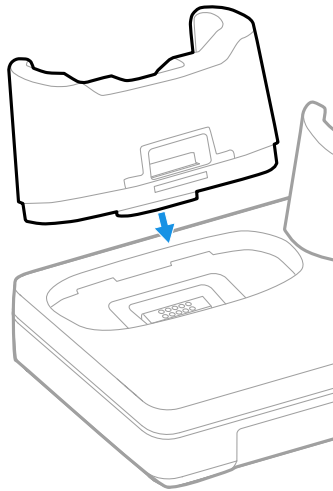
2. Tilt the back of the cup upwards.



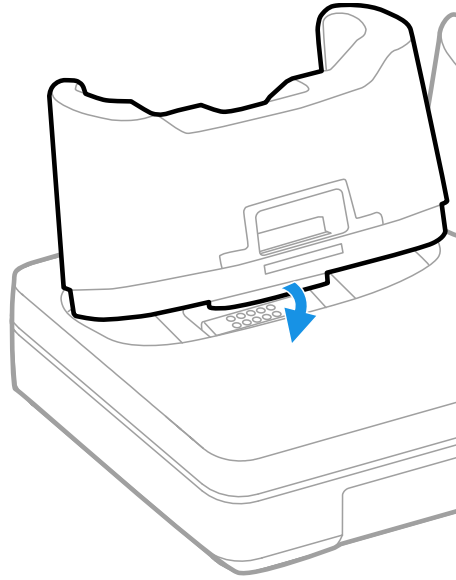
3. Lift the old cup out of the base.



4. Insert the new cup tilted slightly towards the front of the base.



5. Push the cup into the base until it snaps in.



Honeywell
855 S. Mint Street
Charlotte, NC 28202

sps.honeywell.com