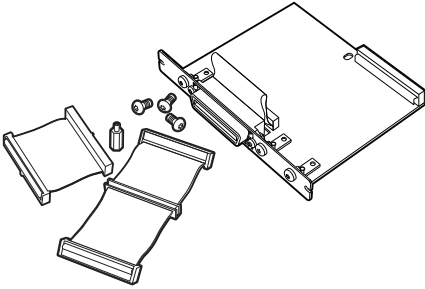


# PM Series

## Parallel Port Board Installation Instructions

These instructions describe how to install the parallel port interface board in the PM23c, PM42, PM43, and PM43c printers.



### *Shipping Box Contents*

You need these tools to install the parallel port board:

- T10 and T20 Torx screwdrivers
- Small wrench



**Warning:** This module must only be installed by an authorized service technician.



Follow ESD  
Procedures

Follow standard ESD guidelines to avoid damaging the equipment you are servicing.



Caution

**Caution:** Before you begin, turn off the printer and disconnect the power cord and communication cables.



**Warning:** The electronic compartment contains wires and components with dangerous voltage. Make sure that the printer is turned off and the power cord is disconnected before removing the cover.

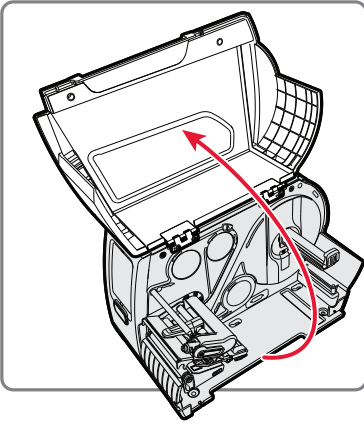
# Remove the Media Cover

The procedure you use to remove the media cover depends on the printer:

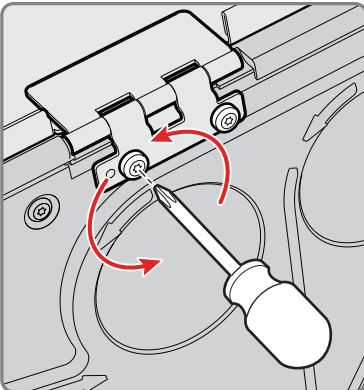
- PM42
- PM23c, PM43, or PM43c

## Remove the PM42 Media Cover

- 1 Open the media cover.



- 2 Remove the four screws that secure the hinges.

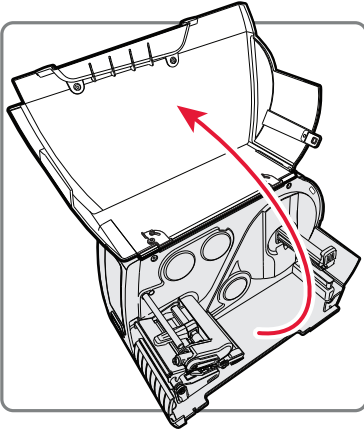


- 3 Put the media cover aside on a soft cloth to avoid scratching the cover.

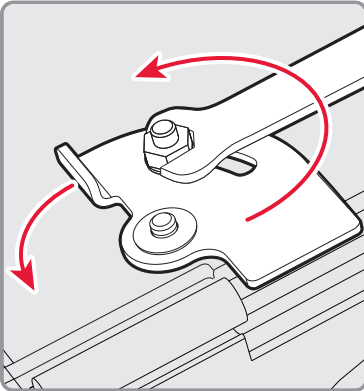
# Remove the PM23c, PM43, or PM43c Media Cover

These illustrations show the PM43, but the procedure is the same for the PM23c and the PM43c.

- 1 Open the media cover.



- 2 Loosen the two nuts that secure the media cover latches.

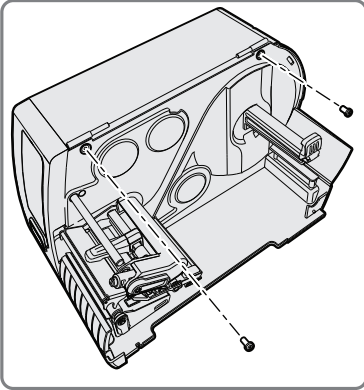


- 3 Slide the latches counterclockwise to the open position.
- 4 Close the media cover and lift it off the hinges.
- 5 Put the media cover aside on a soft cloth to avoid scratching the cover.

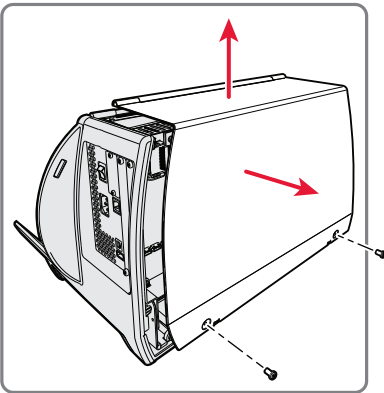
# Remove the Electronics Cover

These illustrations show the PM43, but the procedure is the same for all printers.

- 1 Remove the two screws that secure the electronics cover to the printer base. Save the screws.



- 2 Remove the two screws on the outside of the electronics cover. Save the screws.

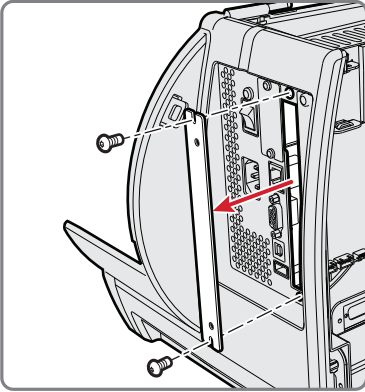


- 3 Remove the electronics cover, and put the cover aside on a soft cloth to avoid scratching the cover.

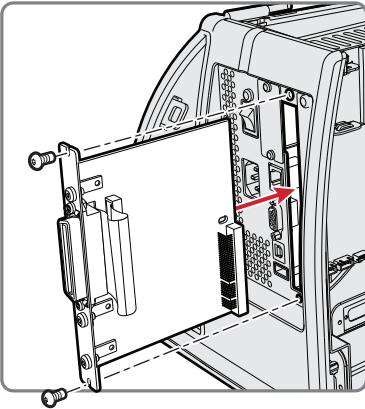
# Install the Parallel Port Board

These illustrations show the PM43, but the procedure is the same for all printers.

- 1 Remove the two screws that secure the cover plate to the printer, and remove the cover plate. Save the screws.

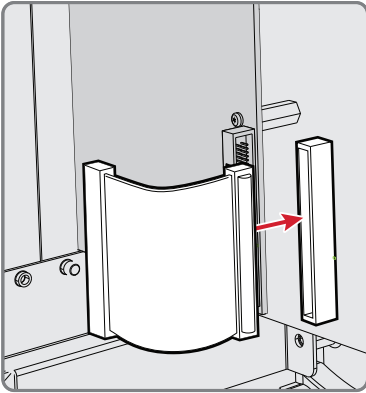


- 2 Attach the spacer screw to the center of the printer main board.
- 3 Insert the parallel port board into the printer, and secure the board with the two screws you removed in Step 1.

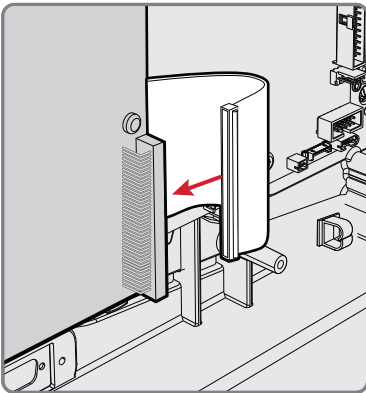


- 4 Secure the parallel port board to the spacer screw with one of the screws that shipped with the board.
- 5 Insert the single or dual option board cable into the 80-pin connector on the printer main board.

Depending on which slot you use for the parallel port board, you may need to use the dual option cable.



- 6 Insert the other end of the cable into the 80-pin connector on the parallel port board.



- 7 Replace the electronics cover.
- 8 Replace the media cover.



## Honeywell

[www.honeywellaidc.com](http://www.honeywellaidc.com)

Copyright © 2015

Honeywell International Inc.

All rights reserved.



PM Series Parallel Port Board Installation Instructions



P/N 931-100-003