

PM23c

RFID Kit

Installation Instructions

Intermec Technologies Corporation

Worldwide Headquarters

6001 36th Ave.W.

Everett, WA 98203

U.S.A.

www.intermec.com

The information contained herein is provided solely for the purpose of allowing customers to operate and service Intermec-manufactured equipment and is not to be released, reproduced, or used for any other purpose without written permission of Intermec Technologies Corporation.

Information and specifications contained in this document are subject to change without prior notice and do not represent a commitment on the part of Intermec Technologies Corporation.

© 2013 by Intermec Technologies Corporation. All rights reserved.

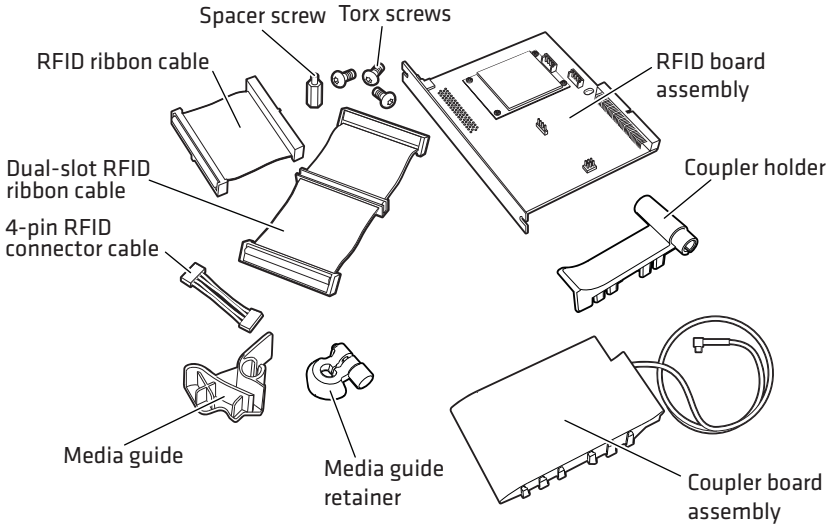
The word Intermec, the Intermec logo, Norand, ArciTech, Beverage Routebook, CrossBar, dcBrowser, Duratherm, EasyADC, EasyCoder, EasySet, Fingerprint, INCA (under license), i-gistics, Intellitag, Intellitag Gen2, JANUS, LabelShop, MobileLAN, Picolink, Ready-to-Work, RoutePower, Sabre, ScanPlus, ShopScan, Smart Mobile Computing, SmartSystems, TE 2000, Trakker Antares, and Vista Powered are either trademarks or registered trademarks of Intermec Technologies Corporation.

There are U.S. and foreign patents as well as U.S. and foreign patents pending.

Install the PM23c RFID Kit

Use these instructions to install the RFID kit on Intermecc PM23c printer.

You will find these items in the shipping box:



You will need the following tools to install the RFID kit:

- T20 Torx screwdrivers
- Small wrench
- (Optional) E-clip remover

To install the RFID kit, you need to open the printer and physically install the kit in the printer.



Warning

This kit must only be installed by an authorized service technician. The device is country/region specific and must be ordered for the correct country/region. Use of this device in other region than shown on the device home page/test label may violate applicable law.



Follow ESD Procedures

Follow standard ESD guidelines to avoid damaging the equipment you are servicing.



Before you begin, turn off the printer and disconnect the power cord and communication cables.



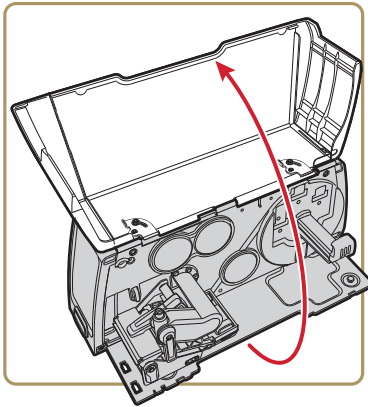
The electronic compartment contains wires and components with dangerous voltage. Make sure that the printer is switched off and the power cord is disconnected before the cover is removed.

Open the Printer

You need to remove both the media cover and the electronics cover to install the RFID kit.

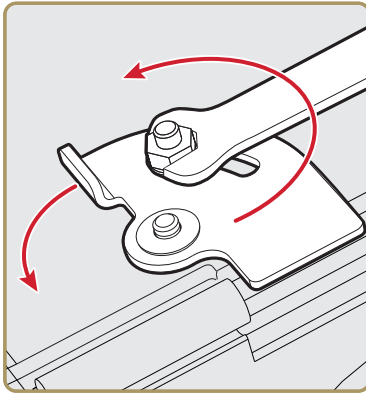
To remove the media cover

- 1 Open the media cover.

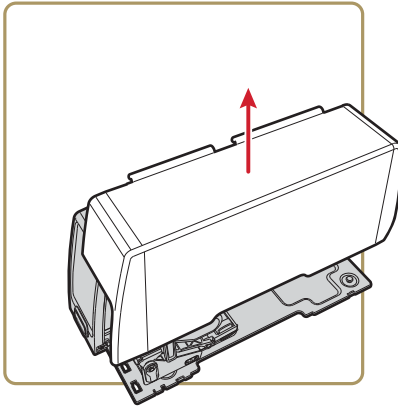


- 2 Use the small wrench to loosen the nut that secures the media cover latches in place.

- 3 Slide the latches counterclockwise into the open position.



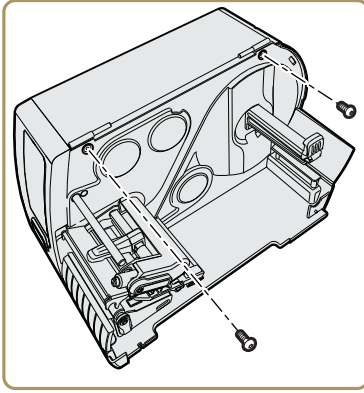
- 4 Close the media cover and lift it off the hinges.



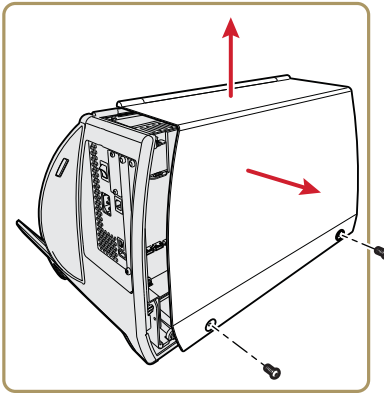
- 5 Put the media cover aside on a soft cloth to avoid scratches.

To remove the electronics cover

- 1 Use a T20 Torx screwdriver to remove the two screws that secure the electronics cover to the inside of the printer base.



- 2 Use a T20 Torx screwdriver to remove the two screws located on the outside of the electronics cover.



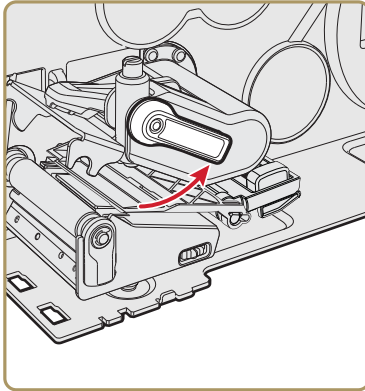
- 3 Remove the electronics cover, and put the cover aside on a soft cloth to avoid scratches.

Install the RFID Coupler Board Assembly

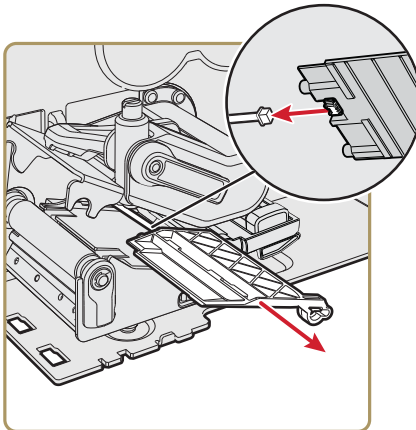
This procedure describes how to install the RFID coupler board assembly into PM23c printer.

To install the RFID antenna

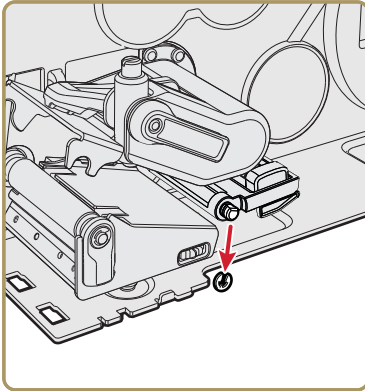
- 1 Turn the printhead lift lever counterclockwise to raise the printhead.



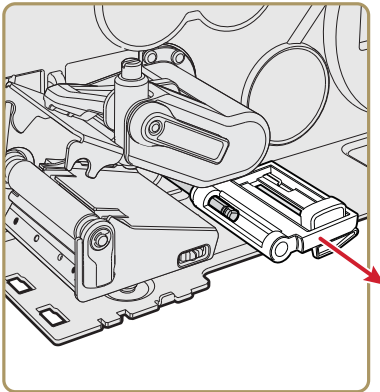
- 2 Use a small slotted screwdriver to gently pry the upper media guide loose from the media guide post. Gently pull the upper media guide away from the printer until you can easily reach the label gap sensor cable.



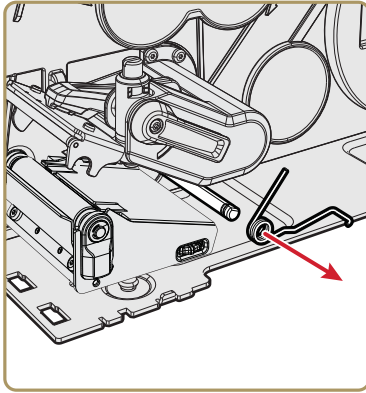
- 3 Carefully disconnect the gap sensor cable from the end of the upper media guide and remove the upper media guide from the printer.
- 4 Use an e-clip remover or a small slotted screwdriver to remove the e-clip that secures the dancer to the media guide post.



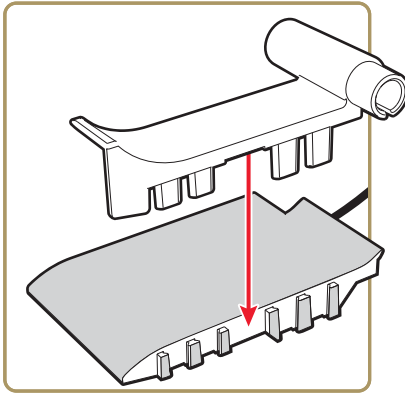
- 5 Remove the dancer from the printer.



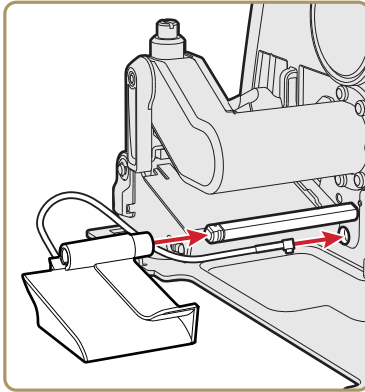
6 Remove the dancer spring from the printer.



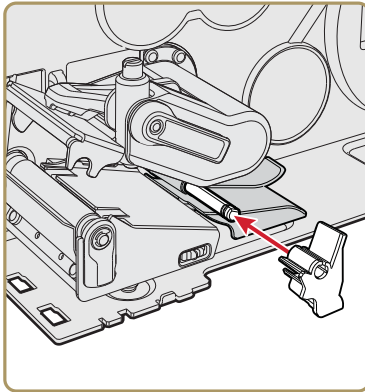
7 Attach the coupler holder to the coupler board assembly.



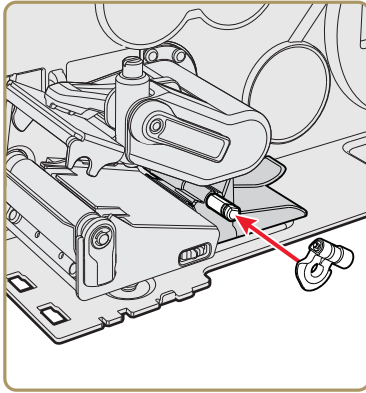
- 8** Slide the coupler assembly onto the media guide post and feed the antenna cable through the hole in the printer base.



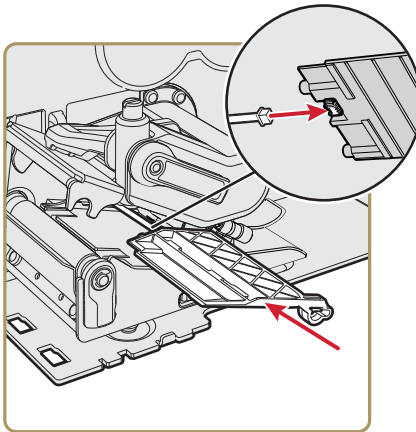
- 9** Slide the media guide onto the media guide post with the flat side facing away from the media path.



- 10** Slide the media guide retainer onto the media guide post and secure it in place with the thumbscrew. Make sure it fits securely against the media guide.



- 11** Reconnect the label gap sensor cable and reinstall the upper media guide onto the media guide post.

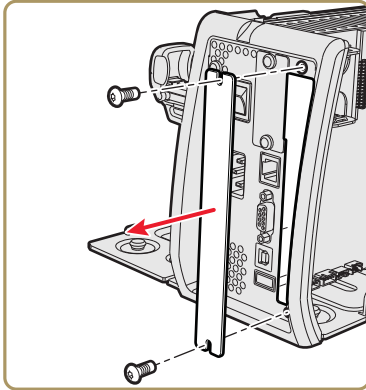


Install the RFID Board Assembly

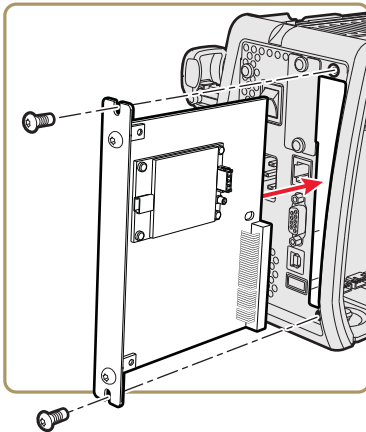
You need to install the RFID board assembly into the printer to finish installing the RFID kit. You will attach the antenna to the board and connect the RFID board to the main printer board.

To install the RFID board assembly

- 1 On the back of the printer, remove the two screws that secure the cover plate to the printer, and remove the cover plate.

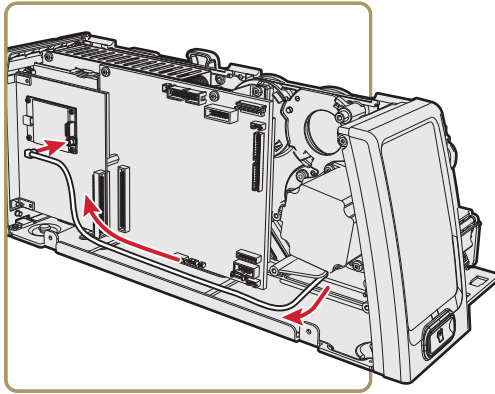


- 2 Insert the RFID board assembly into the printer and use the T20 Torx screwdriver to secure the RFID board assembly to the spacer screw with a Torx screw.



- 3 Use the T20 Torx screwdriver to secure the RFID board assembly to the printer with two Torx screws.

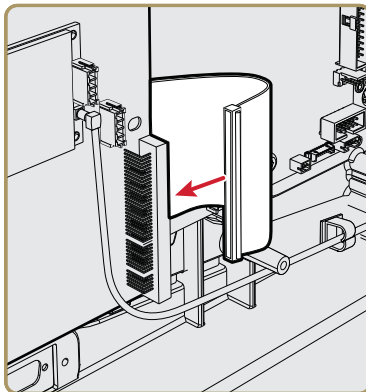
- 4 Route the antenna cable through the electronics side of the printer as shown and connect the antenna cable to the cable jack on the RFID board assembly.



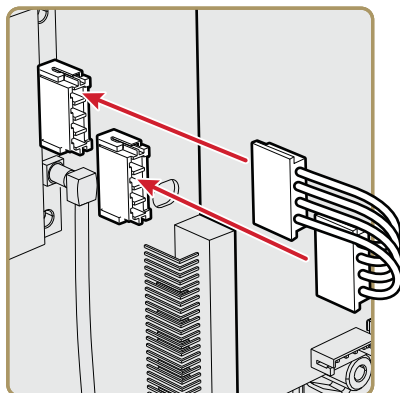
- 5 Insert the RFID ribbon cable into the 80-pin connector on the printer main board.
- 6 Insert the RFID ribbon cable into the 80-pin connector on the RFID board assembly.



Note: You may need to use the dual-slot RFID ribbon cable to connect to the main board depending on which slot you use for the RFID board assembly.



- 7 Use the 4-pin cable to connect the RFID board assembly to the RFID antenna on the assembly board.



- 8 Replace the electronics cover.
- 9 Replace the media cover.



Worldwide Headquarters
6001 36th Avenue West
Everett, Washington 98203
U.S.A.

tel 425.348.2600

fax 425.355.9551

www.intermec.com

© 2013 Intermec Technologies
Corporation. All rights reserved.



PM23c RFID Kit Installation Instructions



P/N 931-117-001