

**Honeywell**

# **Genesis™ XP 7680g Accessories**

---

**User Guide**

---

## Disclaimer

Honeywell International Inc. (“HII”) reserves the right to make changes in specifications and other information contained in this document without prior notice, and the reader should in all cases consult HII to determine whether any such changes have been made. The information in this publication does not represent a commitment on the part of HII.

HII shall not be liable for technical or editorial errors or omissions contained herein; nor for incidental or consequential damages resulting from the furnishing, performance, or use of this material. HII disclaims all responsibility for the selection and use of software and/or hardware to achieve intended results.

This document contains proprietary information that is protected by copyright. All rights are reserved. No part of this document may be photocopied, reproduced, or translated into another language without the prior written consent of HII.

Copyright © 2021 Honeywell International Inc. All rights reserved.

Web Address: [www.honeywellaidc.com](http://www.honeywellaidc.com)

## Trademarks

Other product names mentioned in this manual may be trademarks or registered trademarks of their respective companies and are the property of their respective owners.

## Patents

For patent information, see [www.hsmpats.com](http://www.hsmpats.com).

# TABLE OF CONTENTS

Customer Support .....	iii
Technical Assistance .....	iii
Product Service and Repair .....	iii
Limited Warranty .....	iii
<b>Chapter 1 - Getting Started.....</b>	<b>1</b>
Unpack Your Accessories .....	1
Prepare the Unit.....	1
Remove the Expansion Port Cover .....	2
Remove the Base.....	2
<b>Chapter 2 - Wall and POS Mounts .....</b>	<b>3</b>
Features .....	3
Install the Mount.....	4
<b>Chapter 3 - Vertical Stand .....</b>	<b>9</b>
Install the Vertical Stand .....	9



# Customer Support

## Technical Assistance

To search our knowledge base for a solution or to log in to the Technical Support portal and report a problem, go to [www.honeywellaidc.com/working-with-us/contact-technical-support](http://www.honeywellaidc.com/working-with-us/contact-technical-support).

For our latest contact information, see [www.honeywellaidc.com/locations](http://www.honeywellaidc.com/locations).

## Product Service and Repair

Honeywell International Inc. provides service for all of its products through service centers throughout the world. To obtain warranty or non-warranty service, return your product to Honeywell (postage paid) with a copy of the dated purchase record. To learn more, go to [www.honeywellaidc.com](http://www.honeywellaidc.com) and select **Service & Repair** at the bottom of the page.

## Limited Warranty

For warranty information, go to [www.honeywellaidc.com](http://www.honeywellaidc.com) and click **Resources > Product Warranty**.



# GETTING STARTED

Modular design and a detachable stand allow the Genesis XP to integrate into almost any workflow through the use of the following smart placement accessories:

- Wall mount STND-07R07
- POS (point-of-sale) mount STND-02F07
- Vertical stand STND-18R06

For more information about the Genesis 7680g scanner, refer to the product page available at [www.honeywellaidc.com](http://www.honeywellaidc.com).

## Unpack Your Accessories

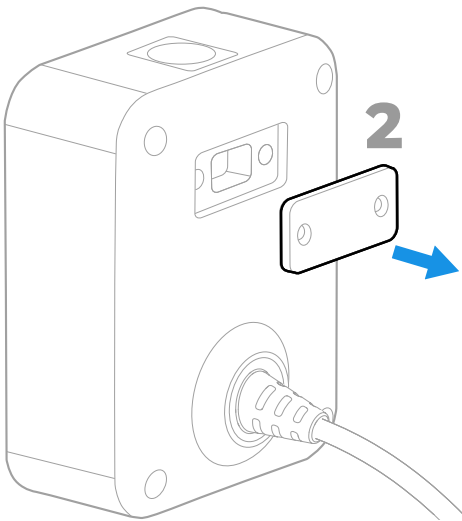
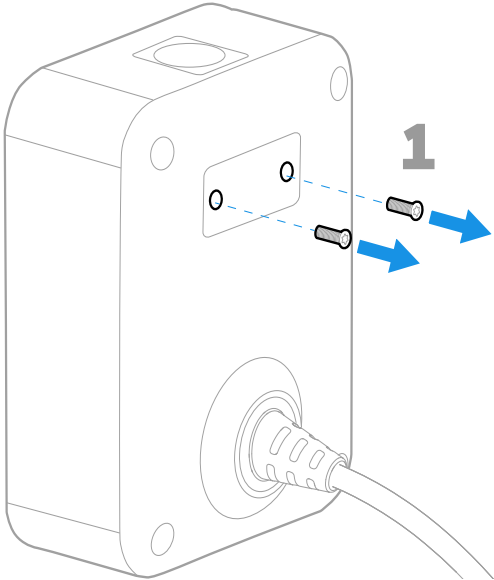
After you open the shipping carton containing the product(s), take the following steps:

- Check for damage during shipment. Report damage immediately to the carrier who delivered the carton.
- Make sure the items in the carton match your order.
- Save the shipping container for later storage or shipping.

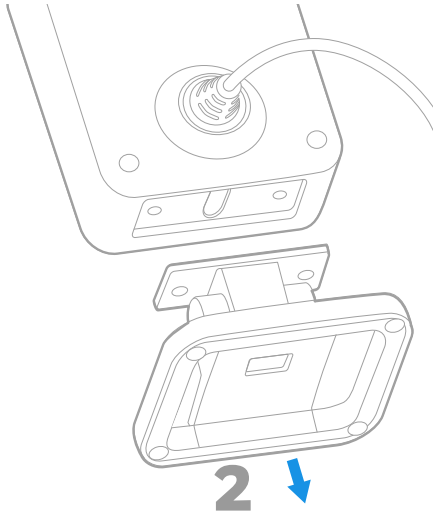
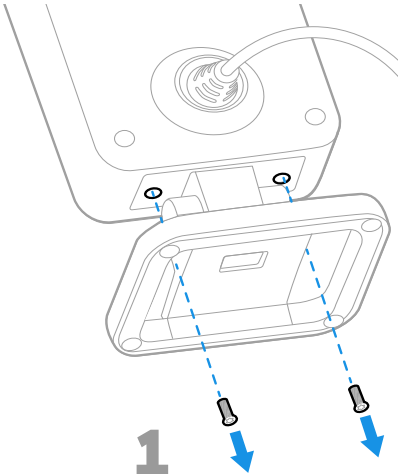
## Prepare the Unit

Before installing a modular accessory, remove the expansion port cover from the scanner as well as the presentation base, if installed.

# Remove the Expansion Port Cover



# Remove the Base





# WALL AND POS MOUNTS

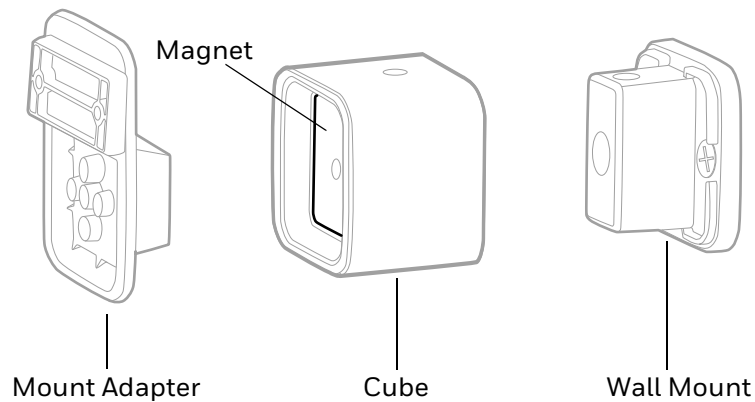
Both the Genesis XP wall mount (STND-07R07) and the POS mount (STND-02F07) provide the flexibility of either a removable scanner or a fixed scanner.

The POS mount also includes a powerful magnet that can be used on the metal surface of a point-of-sale terminal.

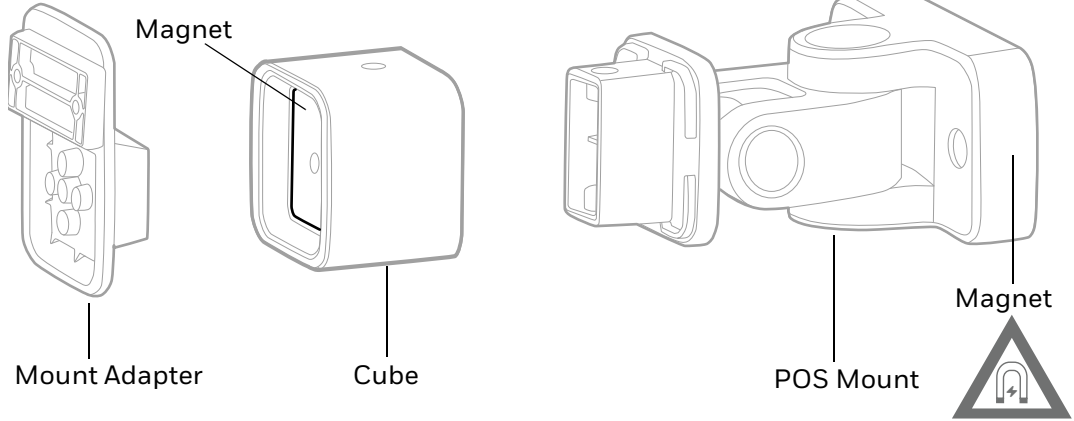
## Features

**Note:** The wall and POS mounts are shipped with the components assembled.

### Wall Mount STND-07R07



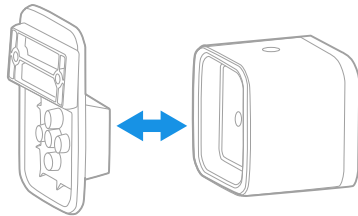
**POS Mount STND-02F07**



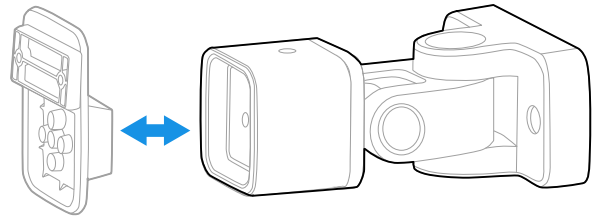
**Warning: The strong magnet in the base of the POS mount may interfere with personal electronics.**

## Install the Mount

1. Pull the cube assembly away from the mount adapter to release the magnet.

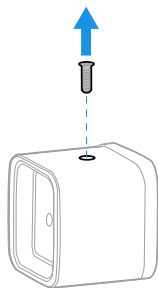


Wall Mount STND-07R07

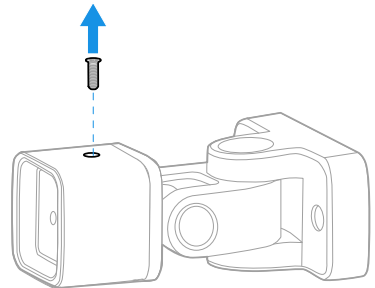


POS Mount STND-02F07

2. Remove the screw at the top of the cube and set it aside.

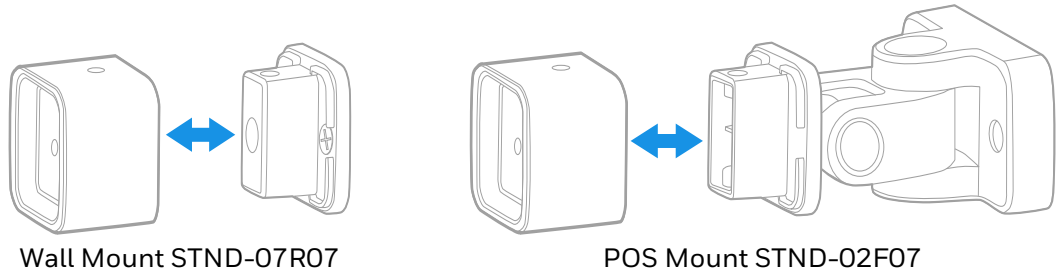


Wall Mount STND-07R07

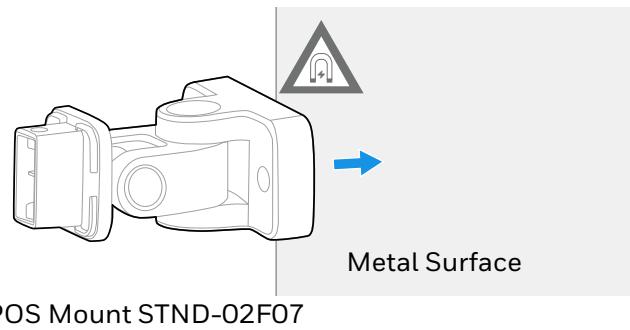


POS Mount STND-02F07

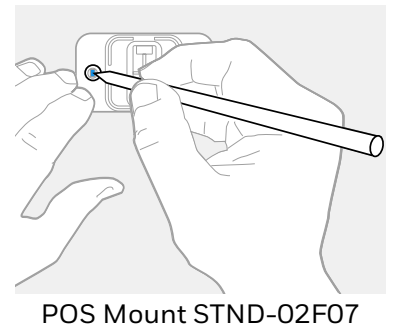
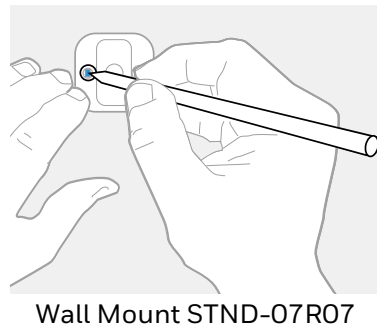
3. Separate the cube and the mount.



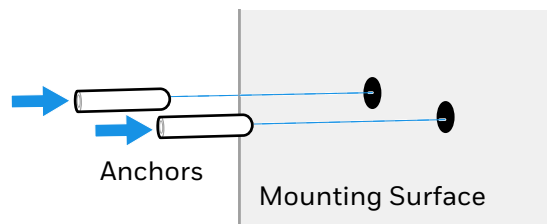
4. If using the magnet in the POS mount, place the mount against a metal surface then skip to Step 8.



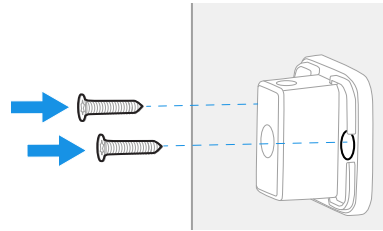
5. To secure the mount with screws, use a pen and the mount holes as guidance to mark where to drill.



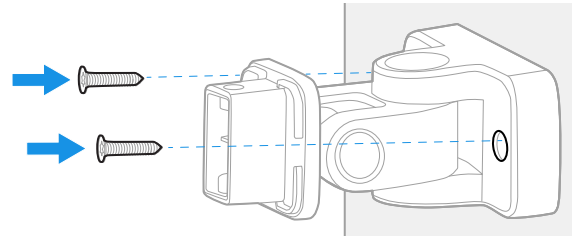
6. Drill holes in the mounting surface. For non-wooden surfaces, insert the plastic anchors into the holes.



7. Position the mount over the holes and secure it with the self-tapping screws.

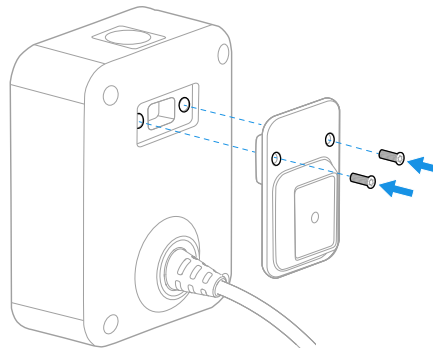


Wall Mount STND-07R07



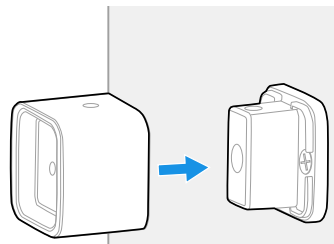
POS Mount STND-02F07

8. Remove the expansion port cover and base from the scanner (see page 2).
9. Attach the mount adapter to the scanner using the two screws provided with the kit.

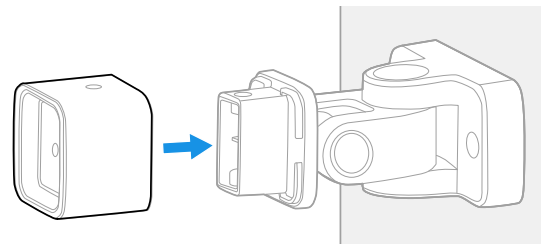


**Note:** Both mounts can be set up so that a scanner is removable (proceed to Step 10) or fixed in place (skip to Step 11).

10. For a flexible assembly that allows you to remove and then reattach the scanner using the magnet in the cube:
- a. Position the cube on the mount.

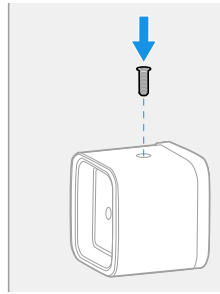


Wall Mount STND-07R07

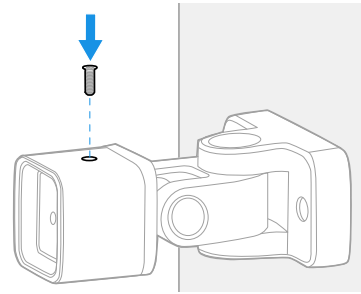


POS Mount STND-02F07

- b. Secure the cube to the wall mount with the screw that was previously removed in Step 2.

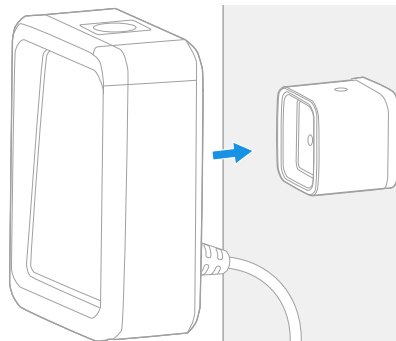


Wall Mount STND-07R07

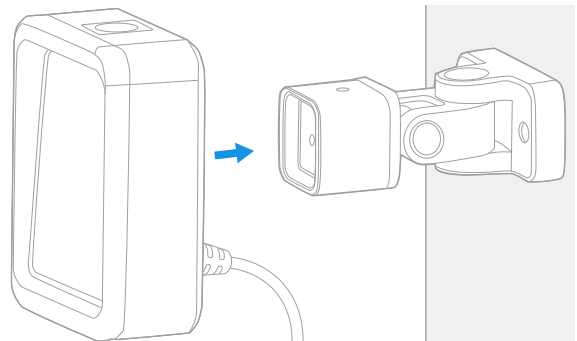


POS Mount STND-02F07

- c. Attach the scanner to the mount using the magnet in the cube. The installation is now complete.



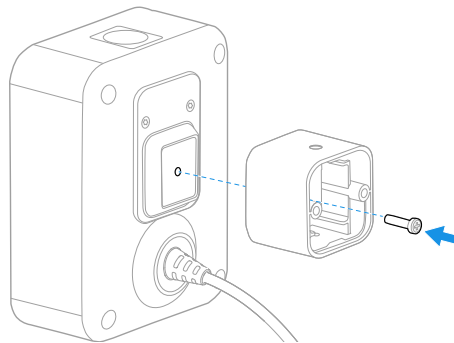
Wall Mount STND-07R07



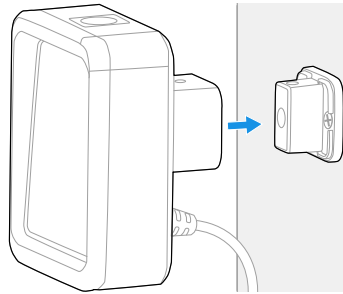
POS Mount STND-02F07

#### 11. To fix the scanner in place:

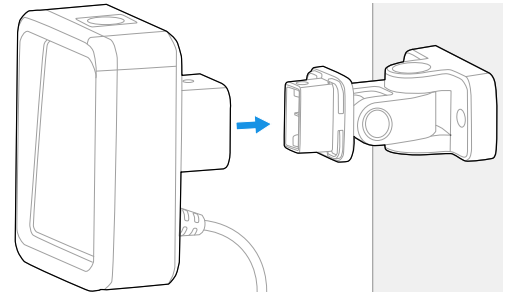
- a. Attach the cube to the mount adapter using the medium-sized screw provided.



b. Connect the unit assembly to the mount.

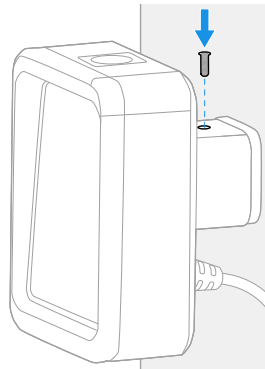


Wall Mount STND-07R07

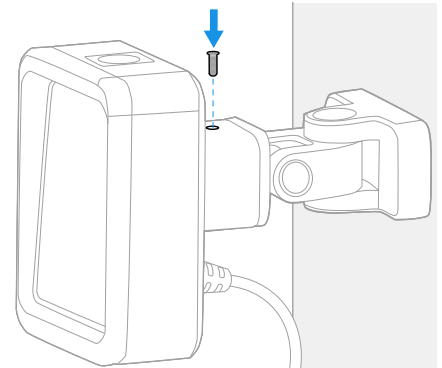


POS Mount STND-02F07

c. Secure the unit assembly to the mount with the screw that was previously removed in Step 2. The installation is now complete.



Wall Mount STND-07R07

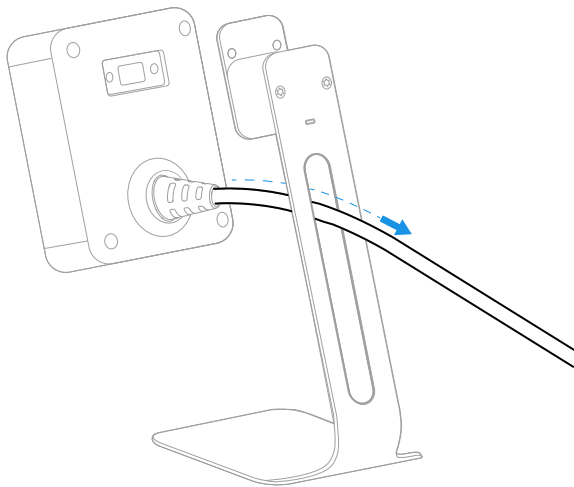


POS Mount STND-02F07

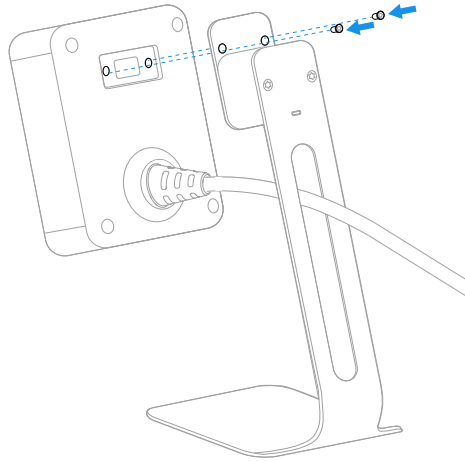
The Genesis XP vertical stand (STND-18R06) allows the flexibility of a mounted yet movable scanner for counter or tabletop use.

## Install the Vertical Stand

1. Remove the expansion port cover and base from the scanner (see page 2).
2. Optional: thread the scanner cable through the channel in the stand.



3. Attach the scanner to the vertical stand using the two screws provided.







Honeywell  
9680 Old Bailes Road  
Fort Mill, SC 29707

[www.honeywellaidc.com](http://www.honeywellaidc.com)