



Solaris Stand Kits

Flex Pole & Wall Mount

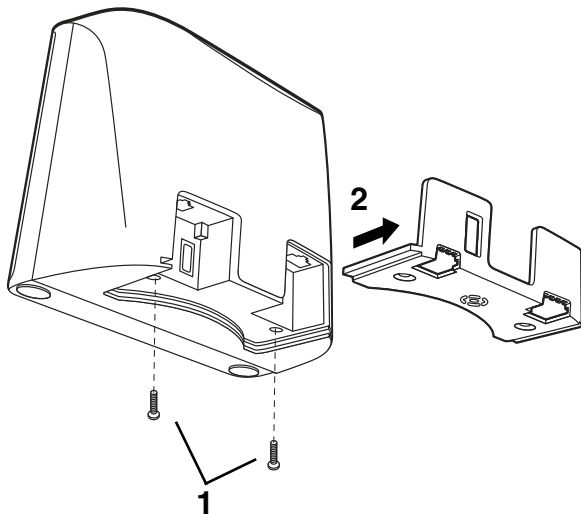
Instruction Guide



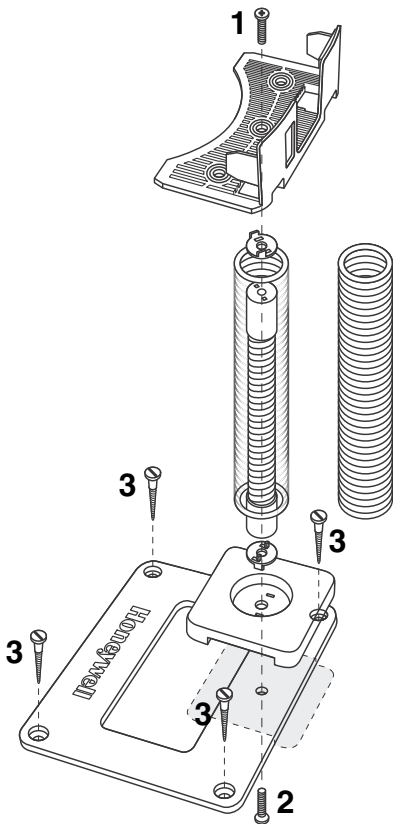
SOALR-STD-ENUS-IN

Rev A
10/15

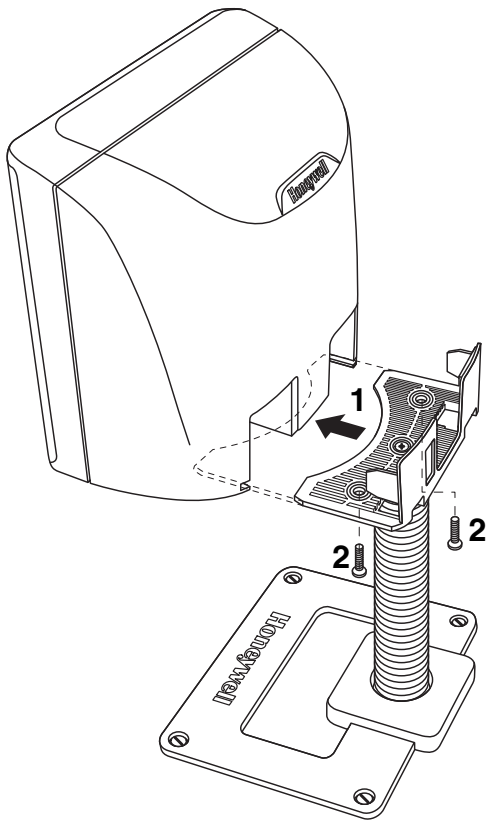
Solaris 7980g - Remove Cable Cover



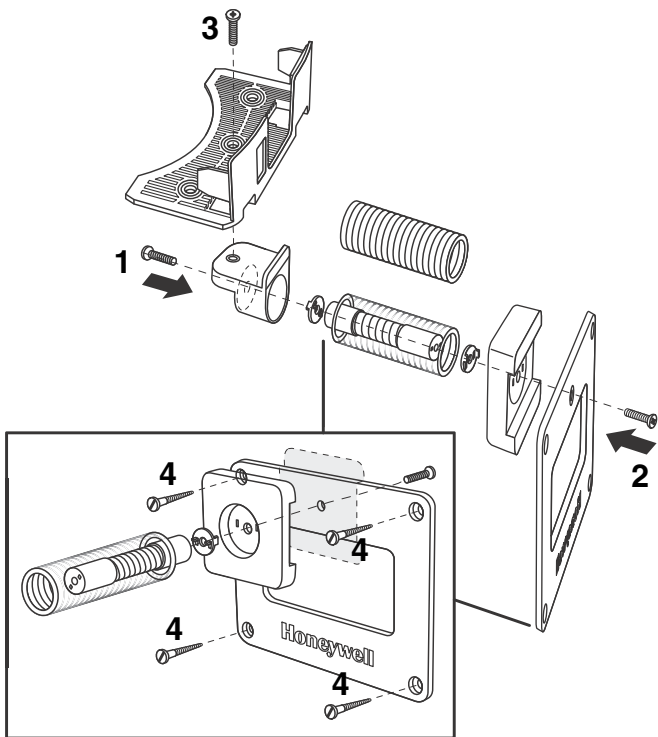
7980g Flex Pole Stand Assembly (PN 46-00868)



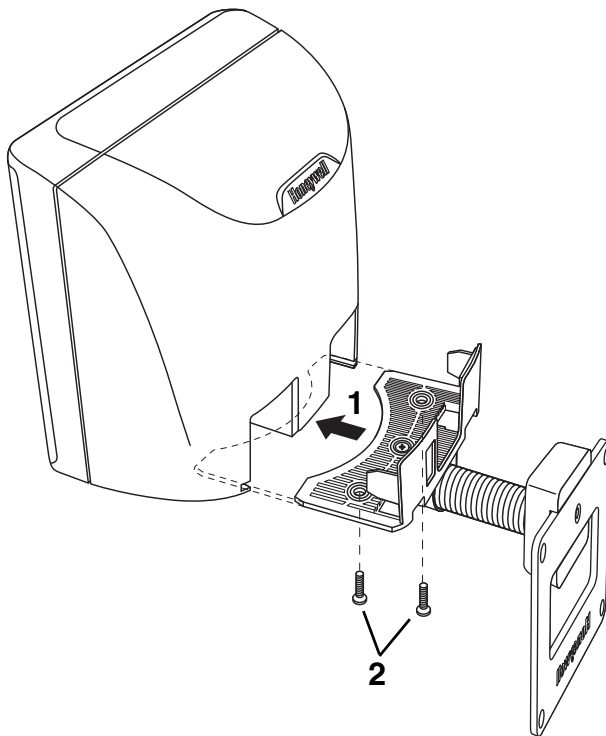
7980g Flex Pole Stand Assembly to Model



7980g Wall Mount Stand Assembly (PN 46-00869)

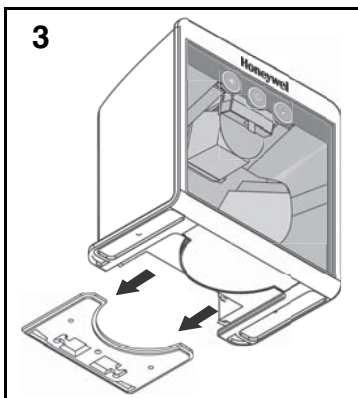
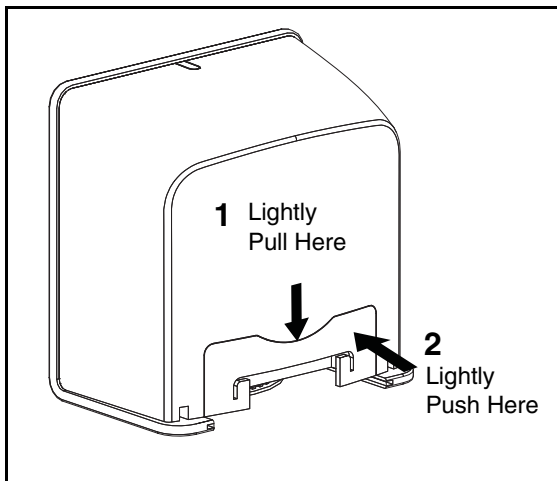


7980g Wall Mount Stand Assembly to Model

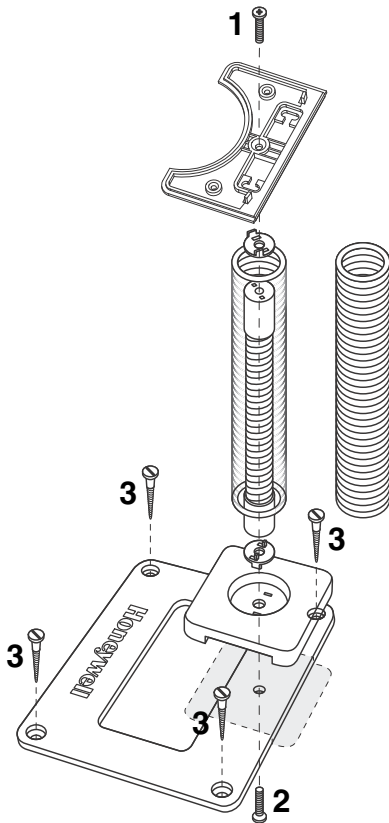


See [page 9](#) for Solaris 7820 Stand Instructions

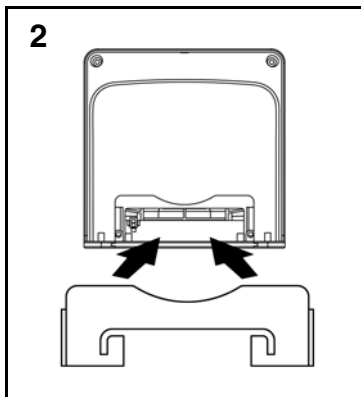
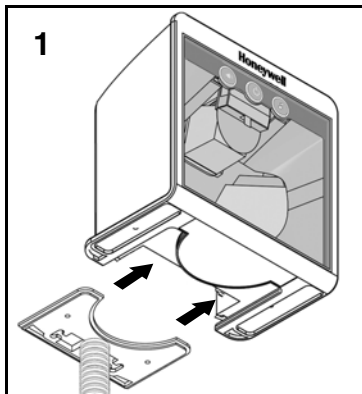
Solaris 7820 - Remove Back Cover & Mounting Plate



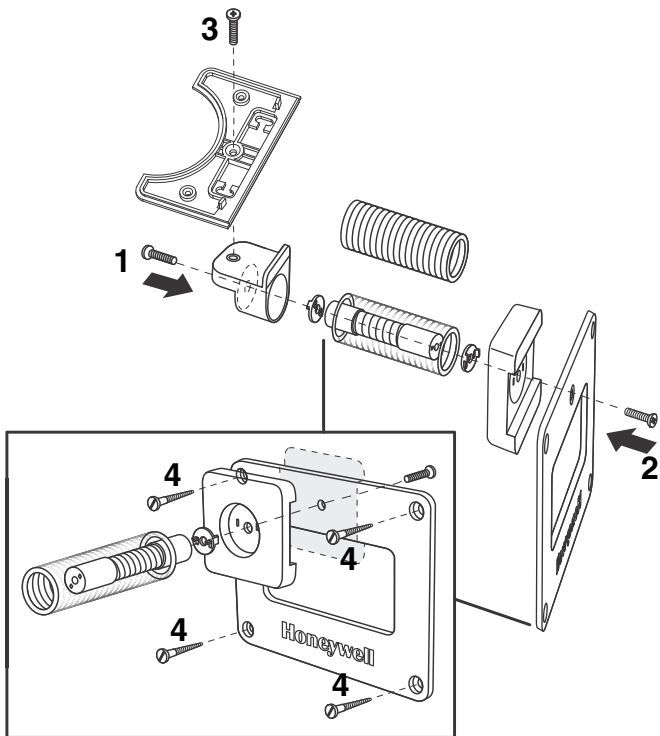
7820 Flex Pole Stand Assembly (PN 46-00868)



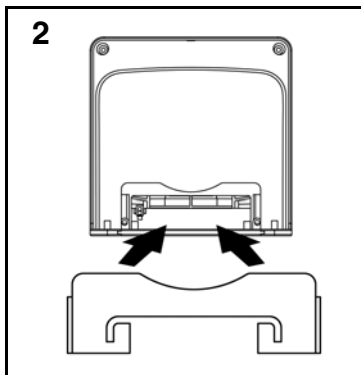
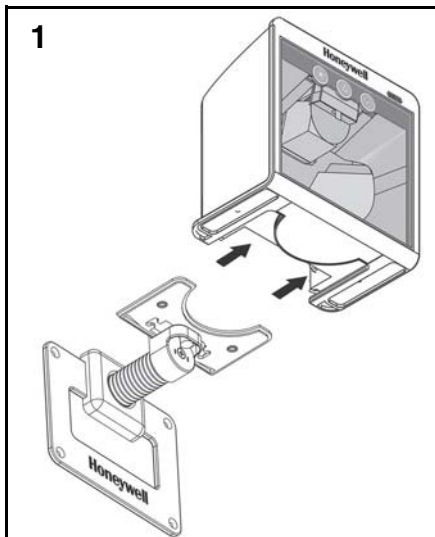
7820 Flex Pole Stand Assembly to Model



7820 Wall Mount Stand Assembly (PN 46-00869)



7820 Wall Mount Stand Assembly to Model



Support

To search our knowledge base for a solution or to log into the Technical Support portal and report a problem, go to www.hsmcontactsupport.com.

Limited Warranty

For warranty information, go to www.honeywellaidc.com and click **Resources > Warranty**.

Patents

For patent information, see www.hsmpats.com.

User Documentation

For the user guide and other documentation, go to www.honeywellaidc.com.

Disclaimer

Honeywell International Inc. (“HII”) reserves the right to make changes in specifications and other information contained in this document without prior notice, and the reader should in all cases consult HII to determine whether any such changes have been made. The information in this publication does not represent a commitment on the part of HII.

HII shall not be liable for technical or editorial errors or omissions contained herein; nor for incidental or consequential damages resulting from the furnishing, performance, or use of this material.

This document contains proprietary information that is protected by copyright. All rights are reserved. No part of this document may be photocopied, reproduced, or translated into another language without the prior written consent of HII.

Copyright © 2015 Honeywell International Inc. All rights reserved.