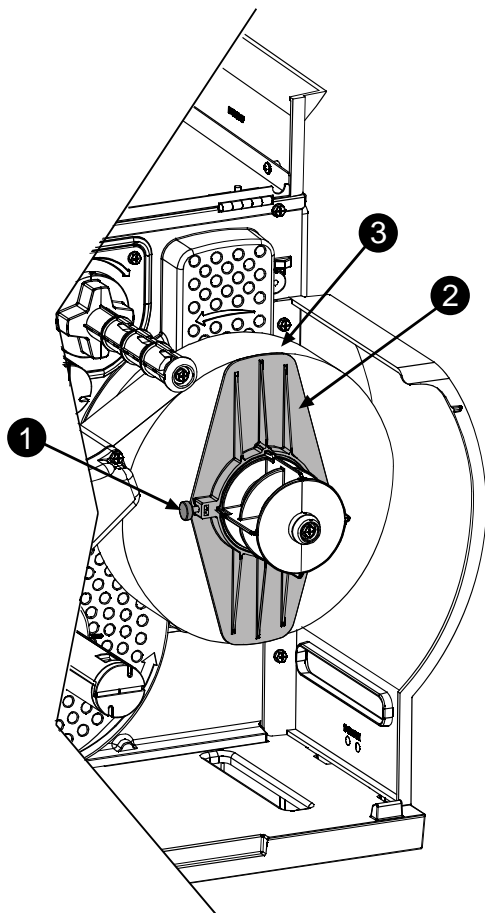


Media Retainer

Installation Instructions ■ ■ ■

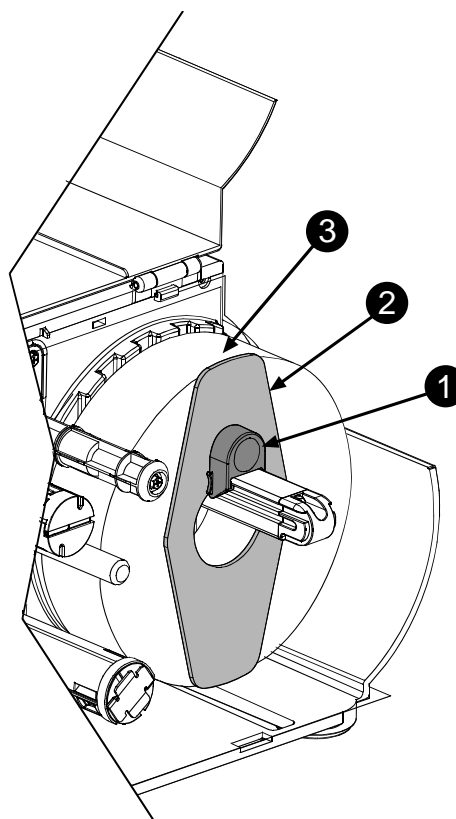
The Media Retainer can be used to enhance media tracking when using narrow roll-supplied stocks with large outside diameters. Install the Media Retainer as follows:

1. Load media as described in your printer's *Operators Manual*.
2. Slide the **Media Retainer** onto the **Media Hub** and then, depending upon your printer model, secure it using the **Thumbscrew** or **Hanger Guide** (see the illustrations below).



Hub Type Printers
DPO15-2872-01

❶	Thumbscrew
❷	Media Retainer
❸	Roll Media



Hanger Type Printers
DPO13-2375-01

❶	Hanger Guide
❷	Media Retainer
❸	Roll Media