

I-Class™ Mark II

SDIO/USB Host Option Installation ■ ■ ■



right by our customers. ■ ■ ■



datamax·o'neil

Overview

This document describes the installation and use of the SDIO/USB Host option for the I-Class Mark II printer. Follow the steps to begin installing the option.

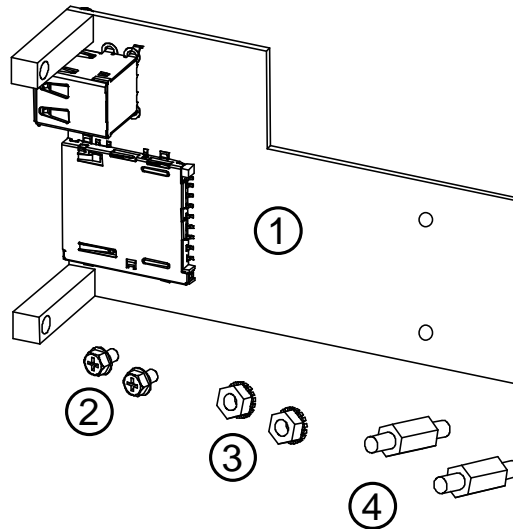


For safety and to avoid equipment damage, turn OFF the power switch and unplug the AC power cord from the printer before starting this installation.

Contents

This kit contains the following items:

- ① SDIO/USB Host Card Assembly
- ② Screw, Philips M4 (2)
- ③ Locking Nut, 5.5mm (2)
- ④ Standoff, 6mm Hex (2)



Tools Required

To install this option, you will need:

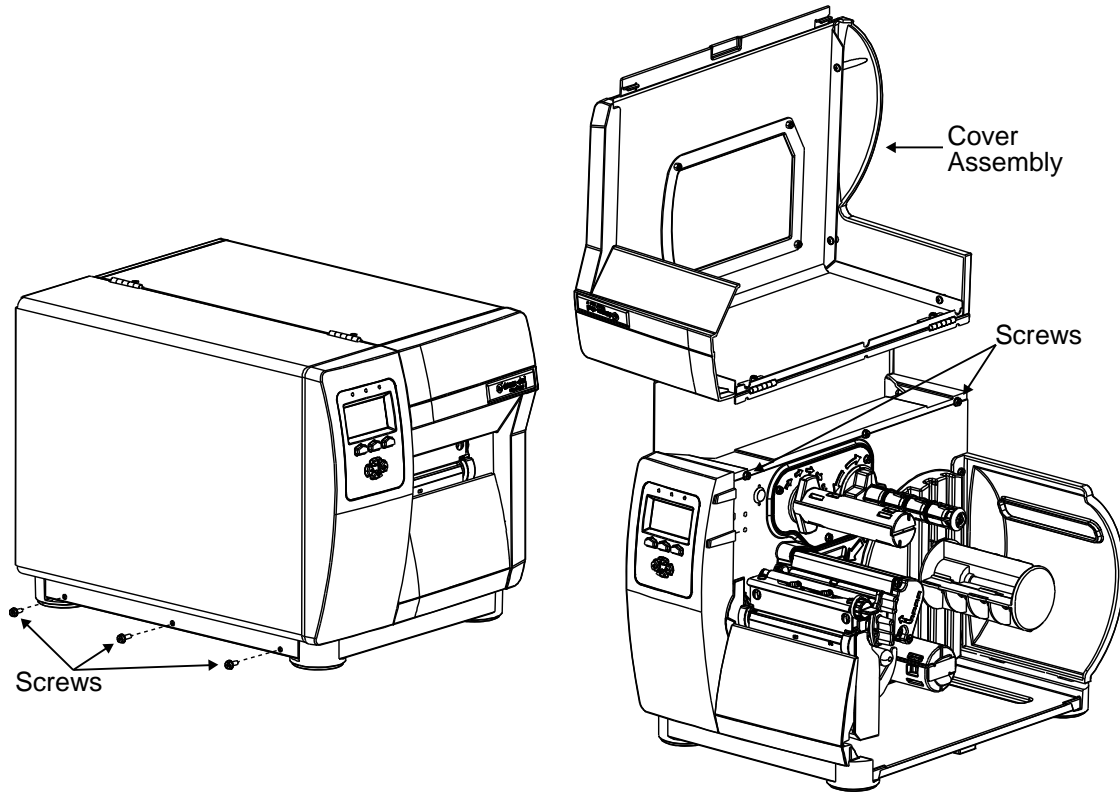
- Philips screwdriver
- 5mm Hex Driver
- 5.5mm Hex Driver
- 6mm Hex Driver

Installing the Option

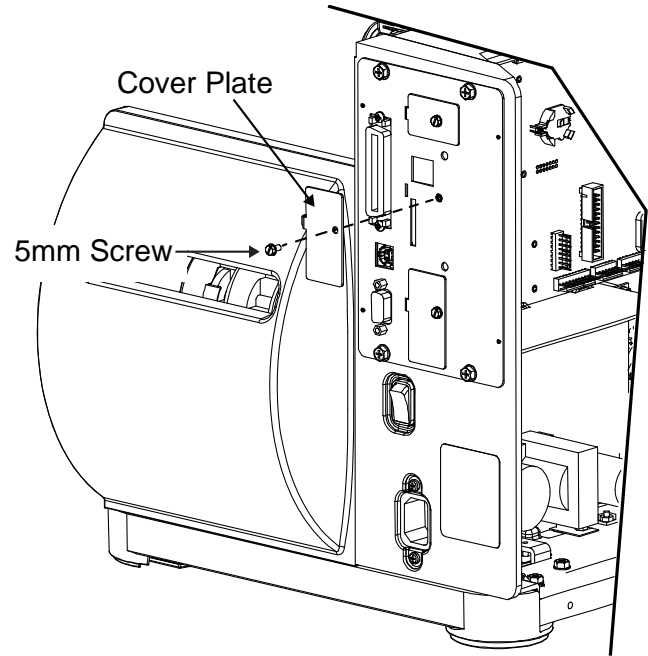
Install the SDIO/USB Host Card as described below:

- A)** Turn off and disconnect the power cord from the printer. Remove the three Screws from the left side cover of the printer.

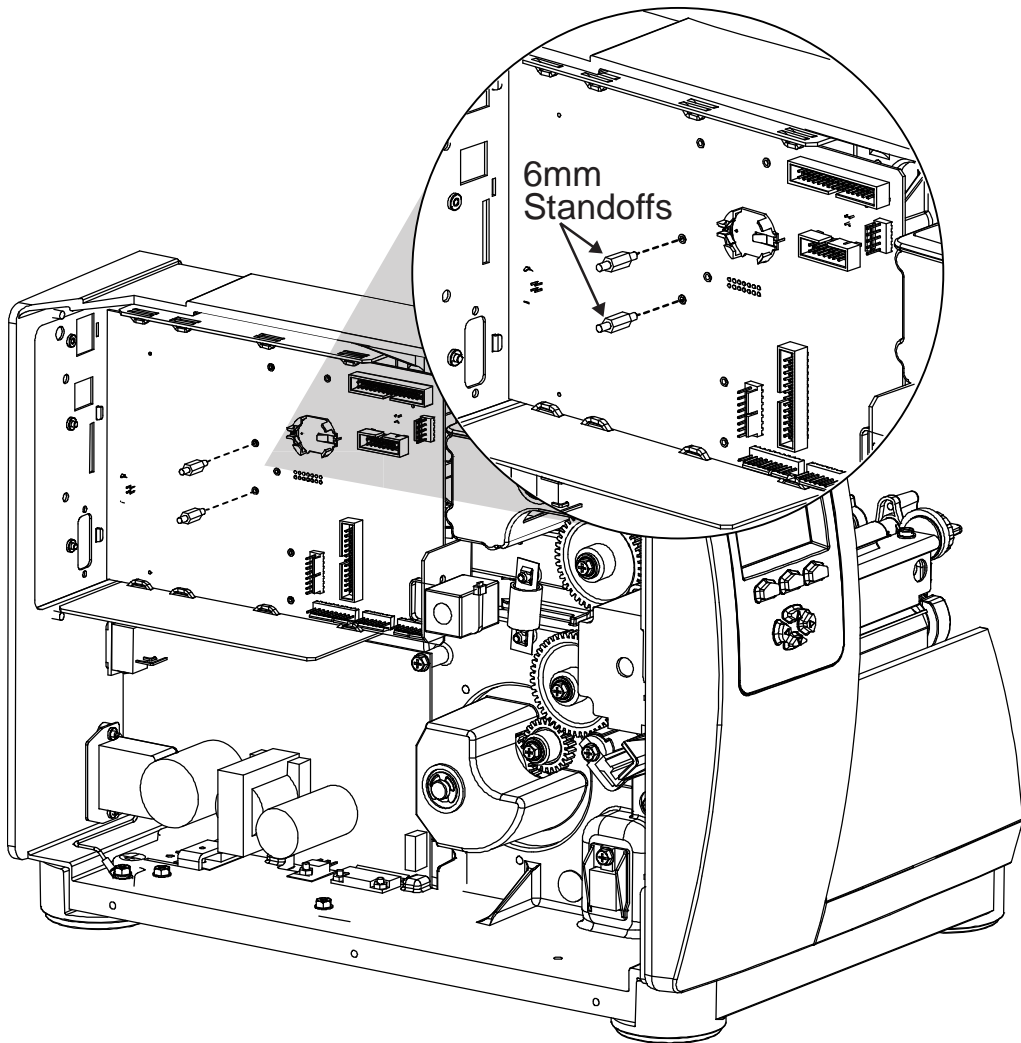
- B)** Open the printer's cover, loosen (*do not remove*) the two Screws on the inside of the printer and lift the Cover Assembly up and off the printer.



- C)** Remove the 5mm Screw and Cover Plate from the rear of the printer.

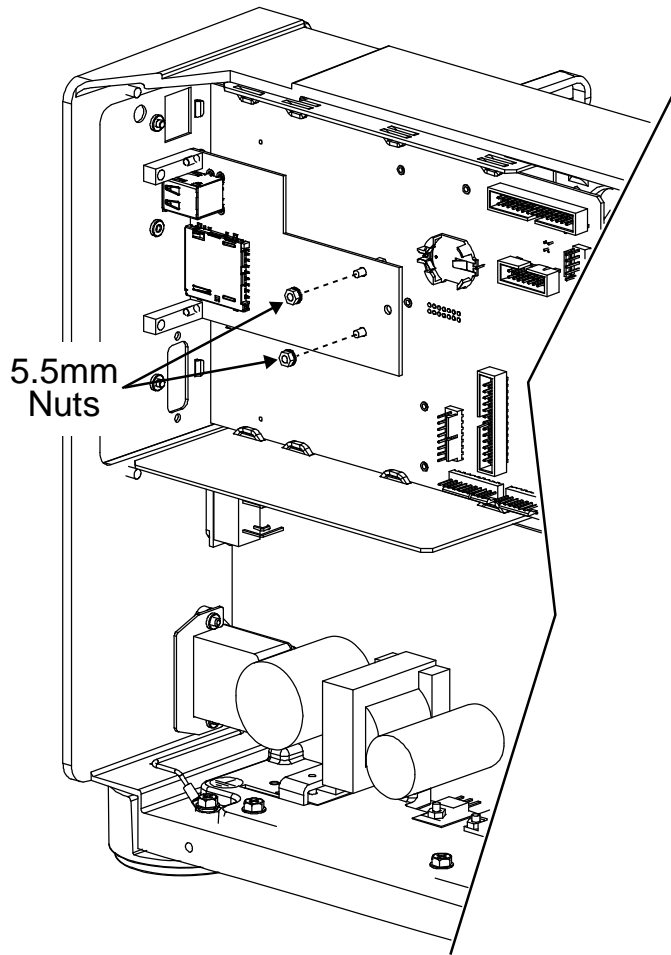


- D)** Install the two 6mm Standoffs into the main board in the locations shown.



E) Install the SDIO/USB Host Card into the printer. First insert the “Port” end into the cut-out in the rear of the printer. Then pivot the SDIO/USB Host Card onto the two Standoffs.

F) Install the two 5.5mm Nuts.



G) Install the two Philips Screws through the back of the printer as shown.

H) SDIO/USB Host Card installation is complete. Re-install the printer's cover.

