

PM43

Cutter Instructions

切刀说明

切紙器說明

Instructions du massicot

Anleitung für Trennvorrichtung

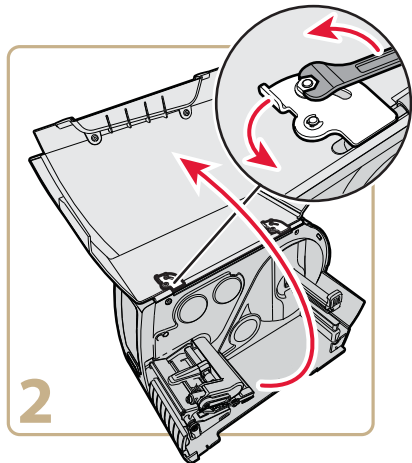
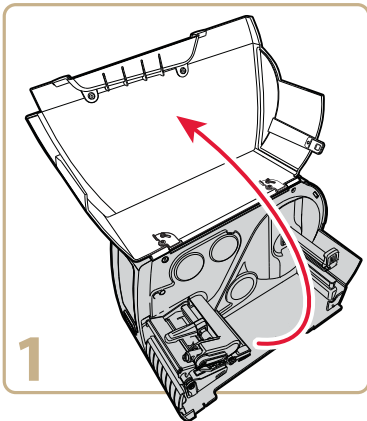
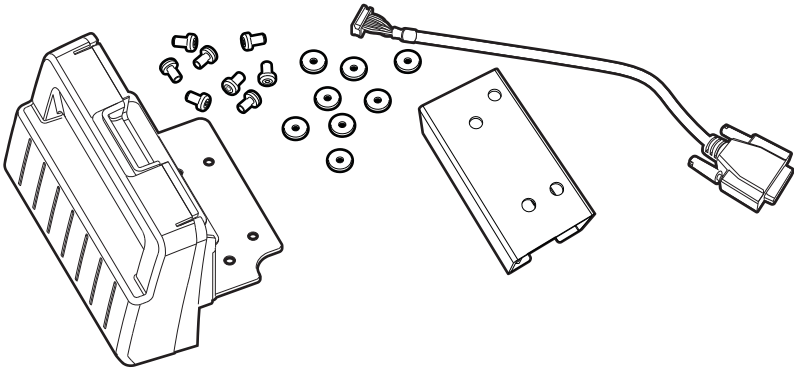
Istruzioni per della taglierina

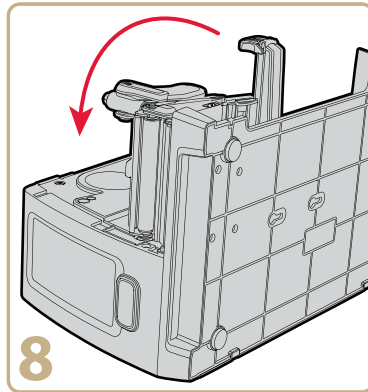
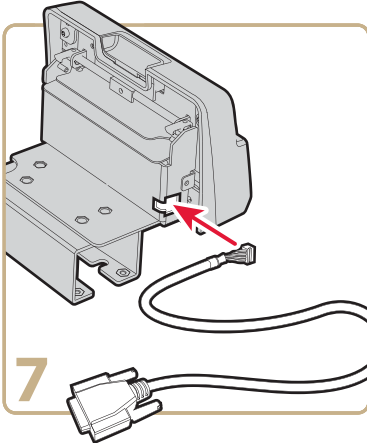
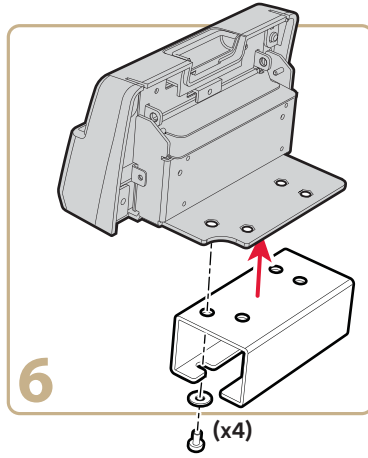
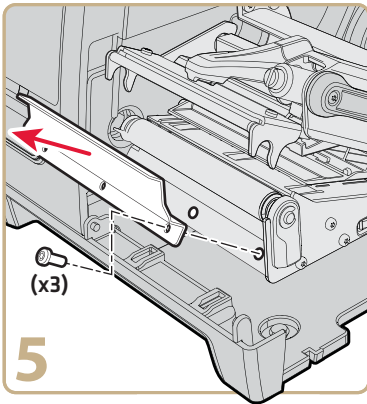
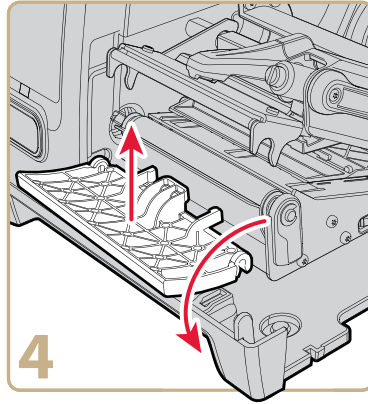
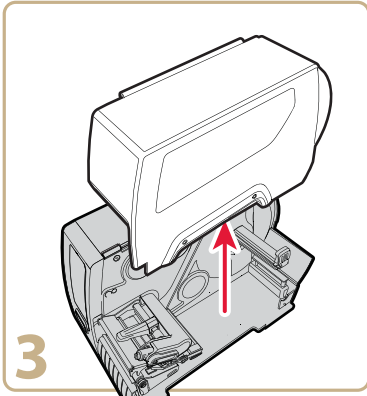
커터안내

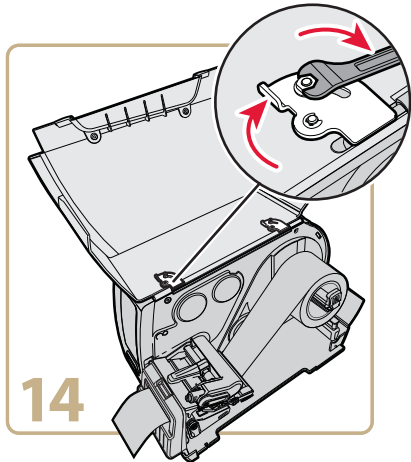
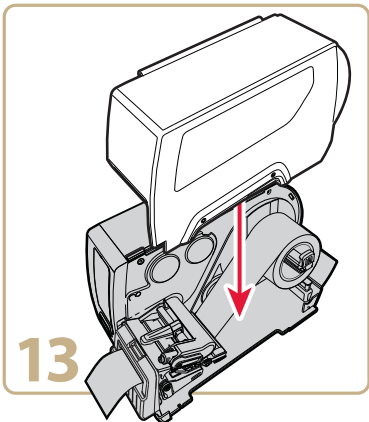
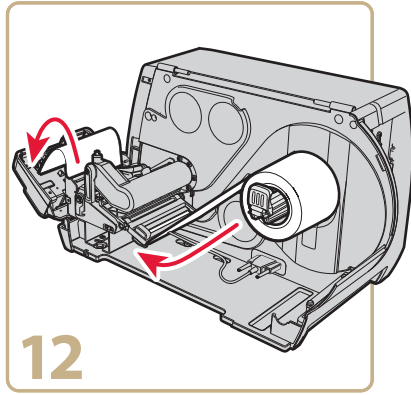
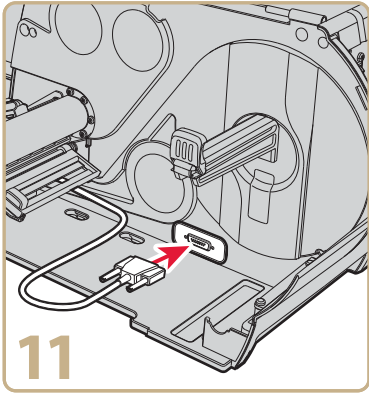
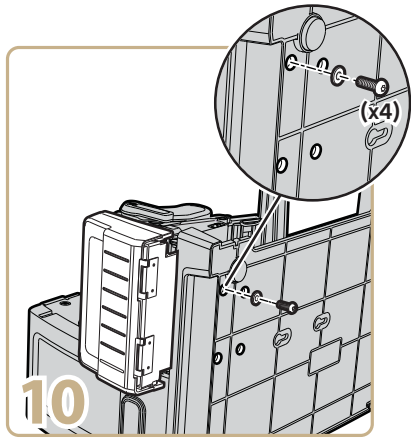
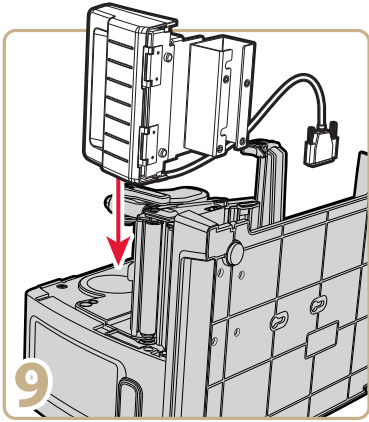
Instruções do Cortador

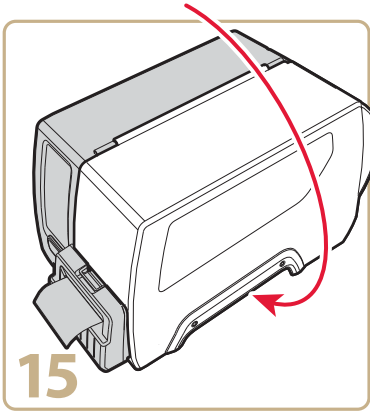
Инструкции резака

Instrucciones de corte









Worldwide Headquarters
6001 36th Avenue West
Everett, Washington 98203
U.S.A.

tel 425.348.2600

fax 425.355.9551

www.intermec.com

© 2012 Intermec Technologies
Corporation. All rights reserved.



PM43 Cutter Instructions



P/N 943-365-001