



# CK65

---

powered by Android™

## Quick Start Guide



**Before you attempt to use, charge or replace the battery in the device, carefully read all labels, markings and product documentation provided in the box or online at [sps.honeywell.com](https://sps.honeywell.com). To learn more about Battery Maintenance for Portable Devices, go to [honeywell.com/PSS-BatteryMaintenance](https://honeywell.com/PSS-BatteryMaintenance).**

## Out of the Box

Make sure that your shipping box contains these items:

- CK65 mobile computer  
(Model CK65LON)
- Rechargeable 3.6 VDC Li-ion battery
- Hand strap
- Product documentation

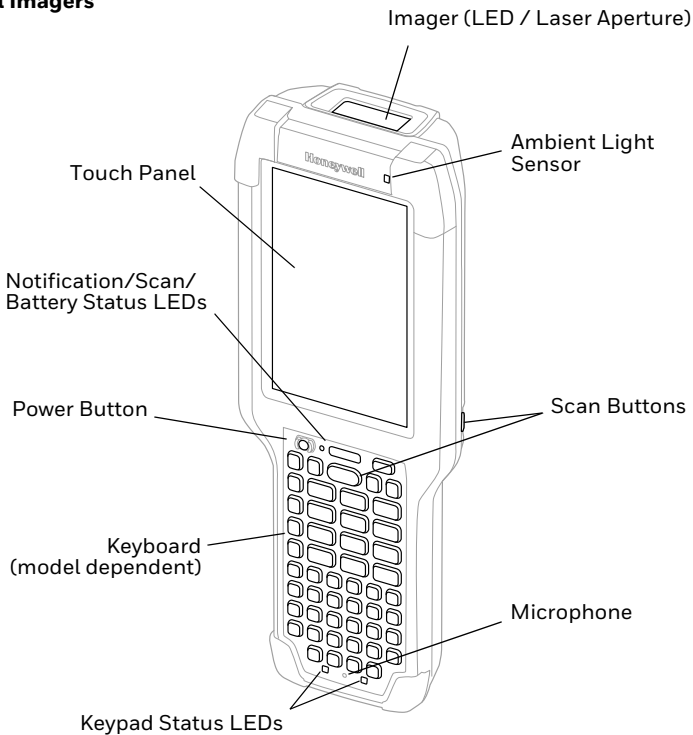
If you ordered accessories for your mobile computer, verify that they are also included with the order. Be sure to keep the original packaging in case you need to return the mobile computer for service.

## Memory Card Specifications

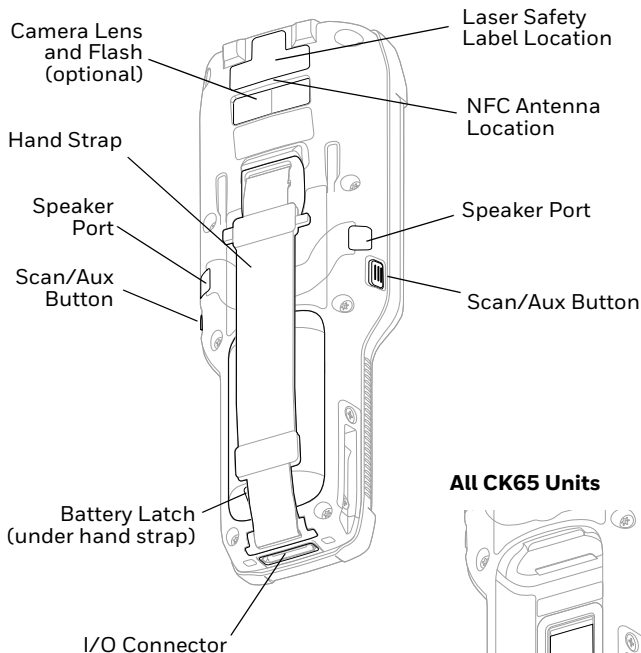
Honeywell recommends the use of Single Level Cell (SLC) industrial grade microSD™ or microSDHC™ memory cards with mobile computers for maximum performance and durability. Contact a Honeywell sales representative for additional information on qualified memory card options.

# Mobile Computer Features

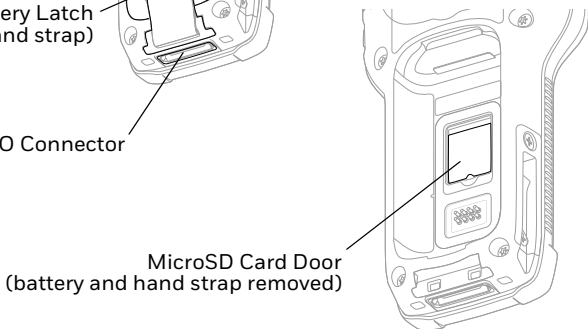
## All Imagers



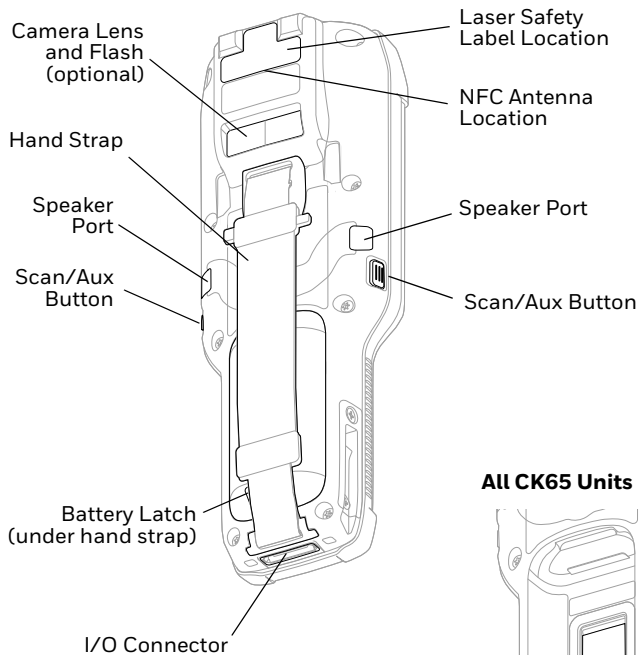
## CK65 Model with S0803-LR/S0703-SR/N6803-FR/N6703-SR Imager



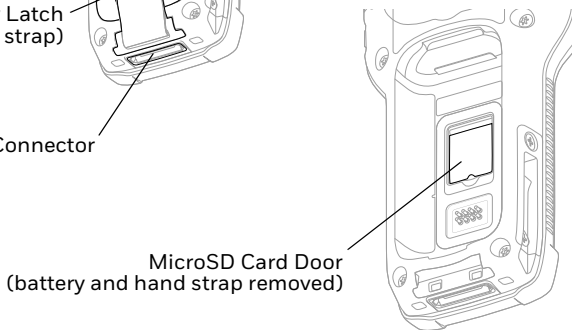
### All CK65 Units



## CK65 Model with EX20 Imager



## All CK65 Units



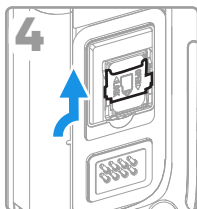
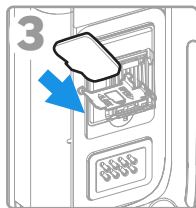
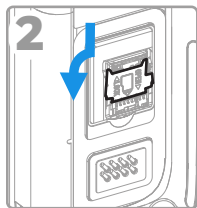
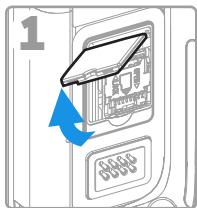
## Install a microSD Card (Optional)



**Always power off the computer before attempting to install or remove a card.**

See [Install the Battery](#) for hand strap release information.

Format the microSD card before initial use.

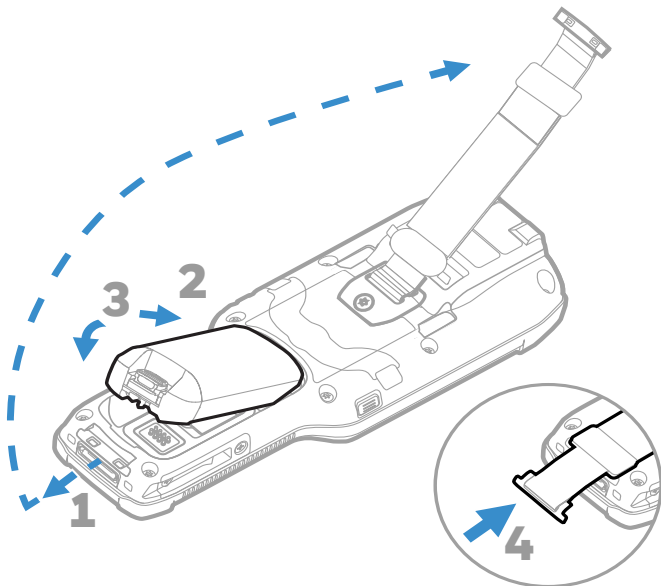


## Install the Battery

The standard CK65 mobile computer ships with a Li-ion 3.6 VDC, 25.2 watt-hour battery manufactured for Honeywell International Inc. The cold storage CK65 mobile computer ships with a Li-ion 3.6 VDC, 18.7 watt-hour cold storage battery.



**Use only Honeywell Li-ion battery pack models CK65-BTSC, AB17, AB18, 1001AB01, and CK65-BTCS (cold storage).**



**Ensure all components are dry prior to placing the battery in the computer. Mating wet components may cause damage not covered by the warranty.**

## Charge the Mobile Computer

The CK65 mobile computer ships with a partially charged battery. Charge the battery with a CK3 Series charging device for a minimum of **4 hours**. Using the computer while charging the battery increases the time required to reach a full charge.



**We recommend the use of Honeywell accessories and power adapters. Use of any non-Honeywell accessories or power adapters may cause damage not covered by the warranty.**

CK65 mobile computers are designed for use with CK3 Series charging accessories.



**Ensure all components are dry prior to mating the computers and batteries with peripheral devices. Mating wet components may cause damage not covered by the warranty.**

## Turn Power On/Off

The first time you power on the computer, a Welcome screen appears. You can either scan a configuration barcode or use the Wizard to manually set up the computer. Once setup is complete, the Welcome screen no longer appears on startup and Provisioning mode is automatically turned off (disabled).

To turn the computer on:

- Press and hold the **Power** button for approximately 3 seconds, and then release.

To turn the computer off:

1. Press and hold the **Power** button until the options menu appears.
2. Touch **Power off**.



# Battery Replacement

## Hot Swap

You can replace the battery on demand provided the following conditions are met:

- The computer has been powered on for at least **4 minutes**.

AND

- You insert a new battery within 30 seconds.

## Swap Battery Mode

Swap Battery mode places the computer in a low power state so that the battery can be removed for a short time.

To activate Swap Battery mode:

1. Press and hold the **Power** button until the options menu appears.
2. Touch **Swap Battery** and follow the on-screen instructions.
3. Once you replace the battery, press the **Power** button.

## Screen Timeout

Screen timeout automatically turns the touch panel display off and locks the computer to save battery power when the computer is inactive for a programmed period of time.

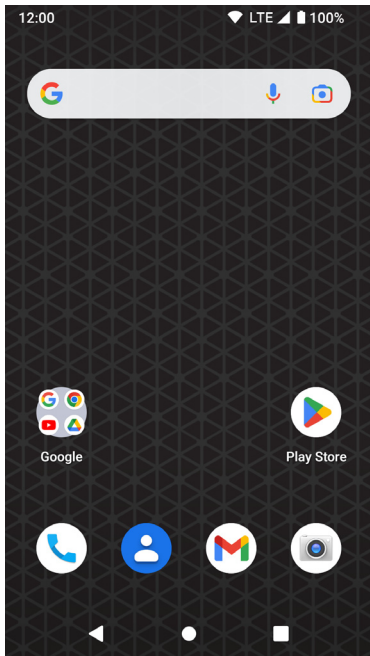
- Press and release the **Power** button to wake the computer.

## Adjust the Display Sleep Time

To adjust the amount of time before the display sleeps after inactivity:

1. Swipe up from the bottom of the Home screen to access all apps.
2. Touch **Settings** > **Display** > **Screen timeout**.
3. Select the amount of time before the display goes to sleep.

# About the Home Screen



Notification /  
Status Bar

Search Bar





Home Screen Panel

Favorites Tray

Navigation Buttons

## Navigation and Function Buttons

For button locations, see [Mobile Computer Features](#).

| Button   | Description |  |
|--|-------------|--|
|  | Back        | Return to the previous screen.                                     |
|  | Home        | Return to the Home screen.   |
|  | Recent Apps | View and switch between recently used apps.                        |
|  | Scan        | Press the right, left or front scan button to trigger the scanner. |

## About Provisioning Mode

After completing the out-of-box set up process, Provisioning mode is automatically turned off. Scanning a barcode to install applications, certificates, configuration files, and licenses on the computer is restricted unless you enable Provisioning mode in the Settings app. To learn more, see the user guide.

## Scan a Barcode with the Scan Demo

**Note:** For optimum performance, avoid reflections by scanning the barcode at a slight angle.

1. Swipe up from the bottom of the Home screen to access all apps.
2. Touch **Demos** > **Scan Demo**.
3. Point the computer at the barcode.
4. Touch **Scan** on the touch screen or press and hold any **Scan** button. Center the aiming beam over the barcode.



The decode results appear on the screen.

**Note:** *In the Scan Demo app, not all barcode symbologies are enabled by default. If a barcode does not scan, the correct symbology may not be enabled. To learn how to modify the default app settings, see the user guide.*

## Sync Data

To move files between your CK65 and a computer:

1. Connect the CK65 to your computer using a USB charge/communication accessory.
2. On the CK65, swipe down from the top of the screen to see the notifications panel.
3. Touch the Android System notification twice to open the options menu.
4. Select either **File Transfer** or **PTP**.
5. Open the file browser on your computer.
6. Browse to the CK65. You can now copy, delete and move files or folders between the computer and CK65 as you would with any other storage drive (e.g., cut and paste or drag and drop).

**Note:** *When Provisioning mode is turned off, some folders are hidden from view in the file browser.*

## Restart the Mobile Computer

You may need to restart the mobile computer to correct conditions where an application stops responding to the system or the computer seems to be locked up.

1. Press and hold the **Power** button until the options menu appears.
2. Select **Restart**.

To restart the computer if the touch panel display is unresponsive:

- Press and hold the **Power** button for approximately 8 seconds until the computer restarts.

**Note:** *To learn about advanced reset options, see the user guide.*

## Support

To search our knowledge base for a solution or log into the Technical Support Portal and report a problem, go to [honeywell.com/PSStechnicalsupport](https://honeywell.com/PSStechnicalsupport).

## Documentation

Product documentation is available at [sps.honeywell.com](https://sps.honeywell.com).

## Limited Warranty

For warranty information, go to [sps.honeywell.com](https://sps.honeywell.com) and click **Support > Warranties**.

## Patents

For patent information, see [www.hsmpats.com](http://www.hsmpats.com).

## Trademarks

Google, Android, Google Play and other marks are trademarks of Google LLC.

## Disclaimer

Honeywell International Inc. (“HII”) reserves the right to make changes in specifications and other information contained in this document without prior notice, and the reader should in all cases consult HII to determine whether any such changes have been made. HII makes no representation or warranties regarding the information provided in this publication.

HII shall not be liable for technical or editorial errors or omissions contained herein; nor for incidental or consequential damages resulting from the furnishing, performance, or use of this material. HII disclaims all responsibility for the selection and use of software and/or hardware to achieve intended results.

This document contains proprietary information that is protected by copyright. All rights are reserved. No part of this document may be photocopied, reproduced, or translated into another language without the prior written consent of HII.

Copyright © 2023 Honeywell Group of Companies. All rights reserved.