



MB4-BAT-SCN07/

MB12-BAT-SCN07

Multi-Bay Battery Charging Station

Quick Start Guide

Overview

The MB4-BAT-SCN07 and MB12-BAT-SCN07 are multi-bay battery charging stations for use with BAT-SCN07 battery.

- The BAT-SCN07 high capacity lithium ion battery (3.6V, 3400mAh) powers the 8690i.

Batteries are not fully charged when shipped. The battery should be charged for a minimum of 4 hours at room temperature before initial use to ensure optimal performance.

Unpack your charging station

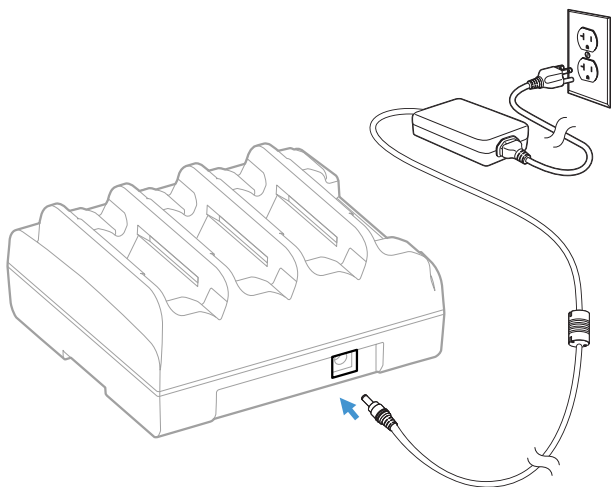
After you open the shipping carton containing the product, take the following steps:

- Check for damage during shipment. Report damage immediately to the carrier who delivered the carton.
- Make sure the items in the carton match your order.
- Save the shipping container for later storage or shipping.

Power

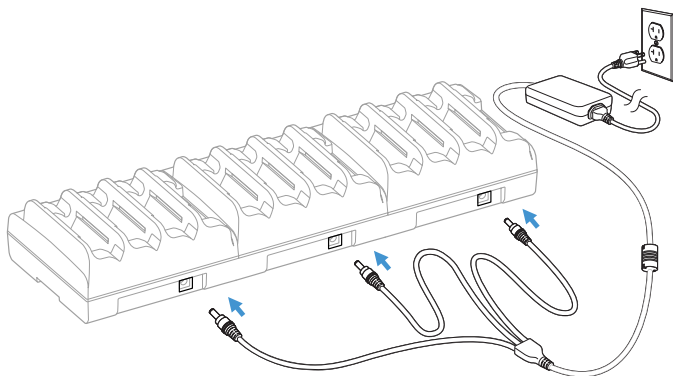
MB4-BAT-SCN07:

Use only a UL Listed power supply, qualified by Honeywell, with an output rated at 12VDC and 3A with the device. The power supply input rating is 100-240V, 50/60Hz. The operating temperature is 41°F to 104°F (5°C to 40°C).



MB12-BAT-SCN07:

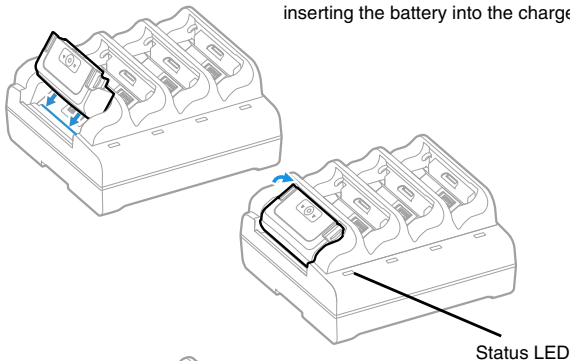
Use only a UL Listed power supply, qualified by Honeywell, with an output rated at 12VDC and 8.5A with the device. The power supply input rating is 85-264V, 47/63Hz. The operating temperature is 41°F to 104°F (5°C to 40°C).



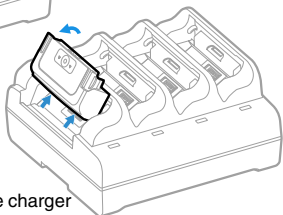
Charging a Battery

Line the battery's contacts up with the contacts on the charging pocket. Firmly press the battery into the battery charging pocket. The LED to the left of the pocket lights up in an amber color when the battery is properly inserted.

inserting the battery into the charger



Removing the battery from the charger



It is important that batteries are inserted into the charging pocket correctly. Inserting the battery incorrectly could result in damage to the battery or the charger.

When a battery is placed in a charging pocket, there is a slight delay before charging begins. For more information, see [Status LED](#) on page 5.

Status LED



Ensure all components are dry prior to mating batteries with peripheral devices. Mating wet components may cause damage not covered by the warranty.

Each charging slot has a dedicated status LED located to the left of the slot.

LED Status	Indicates
Amber solid	The battery is properly seated in the slot and is charging.
Green solid	The battery is fully charged.
Red blinking	Battery fault.
Red solid	Temperature error.
Off	No battery is installed or the battery is improperly installed.

The charger should be on a dry, stable surface and can be mounted on a flat, horizontal surface such as a desktop or workbench. When choosing a location, always keep in mind:

- The mounting location must allow users easy access to the power connector.
- The charger should be oriented so that users can easily insert and remove battery packs and see the LEDs.

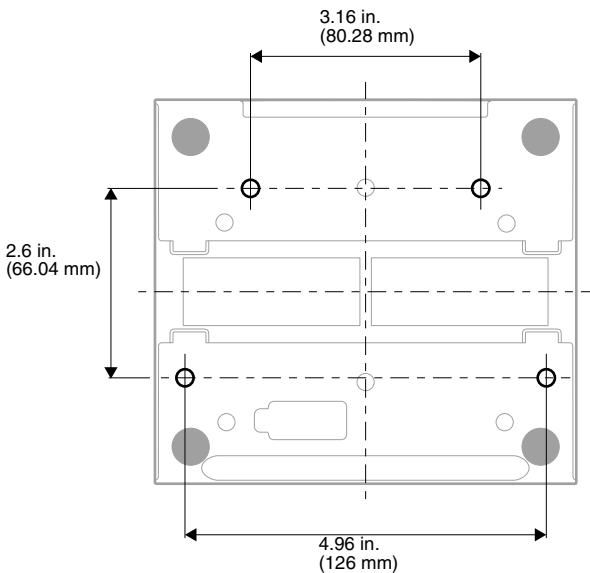
Mount a 4-Bay Battery Charger

Note: *Mounting information applies only to the 4-bay MB4-BAT-SCN07 battery charger. It does not apply to the 12-bay MB12-BAT-SCN07 battery charger.*

The 4-bay battery charger can be mounted to a flat surface, or to a DIN rail for a multi-bay charge rack installation.

Option 1

Use the four SL-B M3.5 x 8 screws to mount the charger to a flat, horizontal surface.



Option 2

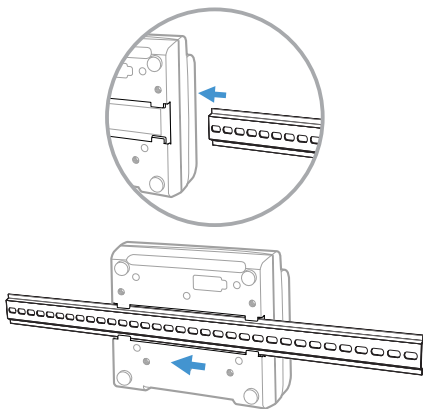
The DIN rail slot on the bottom panel enables secure mounting to a charge rack.

Hardware Required

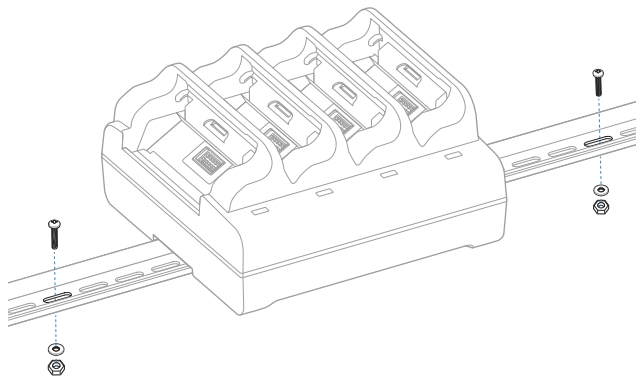
- DIN rail
- 3/16 in. dia. x 5/8 in. long pan head screw
- 1/2 in. OD x 7/32 in. ID x 3/64 in. thick flat washer
- 3/16 in. dia. nut

Installation

1. Slide the DIN rail into the DIN rail slot on the bottom of the charging station.



- Using the appropriate hardware listed above, secure the DIN rail to the charge rack.



Cautions and Warnings



There is a danger of explosion if the batteries are incorrectly replaced. Use only Honeywell lithium ion battery packs, model number BAT-SCN07 in this device. Use of any non-Honeywell battery may result in damage not covered by the warranty. Dispose of used batteries according to the recycle program for batteries as directed by the governing agency for the country where the batteries are to be discarded.



Use the provided AC power supply only. Using any other type of AC power supply is prohibited.

Do not disassemble or perform modifications to the charging station. There are no user serviceable components in the charging station.

Battery Recommendations

- The battery is a lithium ion cell and can be used without a full charge, and can also be charged without fully discharging, without impacting the battery life. There is no need to perform any charge/discharge conditioning on this type of battery.
- Replace a defective battery immediately since it could damage the scanner.
- Do not leave the battery in a non-operating charger. The battery may discharge through the charger rather than hold its charge.
- Although your battery can be recharged many times, it will eventually be depleted. Replace it after the battery is unable to hold an adequate charge.
- If you are not sure if the battery or charger is working properly, send it to Honeywell or an authorized service center for inspection.

Safety Precautions for Lithium Batteries

- Do not place batteries in fire or heat the batteries.
- Do not store batteries near fire or other high temperature locations.
- Do not store or carry batteries together with metal objects.
- Do not expose batteries to water or allow the batteries to get wet.
- Do not connect (short) the positive and negative terminals, of the batteries, to each other with any metal object.
- Do not pierce, strike or step on batteries or subject batteries to strong impacts or shocks.
- Do not disassemble or modify batteries.

Support

To search our knowledge base for a solution or to log into the Technical Support portal and report a problem, go to www.hsmcontactsupport.com.

User Documentation

For the user guide and other documentation, go to www.honeywellaidc.com.

Limited Warranty

For warranty information, go to www.honeywellaidc.com and click **Resources > Product Warranty**.

Patents

For patent information, see www.hsmpats.com.

Disclaimer

Honeywell International Inc. (“HII”) reserves the right to make changes in specifications and other information contained in this document without prior notice, and the reader should in all cases consult HII to determine whether any such changes have been made. The information in this publication does not represent a commitment on the part of HII.

HII shall not be liable for technical or editorial errors or omissions contained herein; nor for incidental or consequential damages resulting from the furnishing, performance, or use of

this material. HII disclaims all responsibility for the selection and use of software and/or hardware to achieve intended results.

This document contains proprietary information that is protected by copyright. All rights are reserved. No part of this document may be photocopied, reproduced, or translated into another language without the prior written consent of HII.

Copyright © 2020 Honeywell International Inc. All rights reserved.