





# Contents

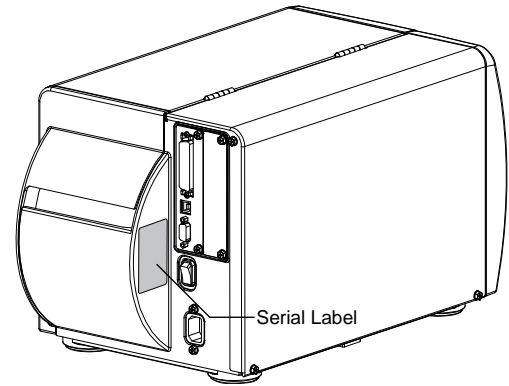
Printers Assemblies .....	1
Cover Assembly.....	2
Printer Assembly 1 of 2 .....	3
Printer Assembly 2 of 2 .....	4
Front Panel Assemblies.....	5
Media Supply Hubs .....	6
Printhead Assembly .....	7
Printhead and Printhead Cables .....	8
Media Sensor .....	9
Hardware and Small Parts 1 of 2.....	10
Hardware and Small Parts 2 of 2.....	11
M-Class <i>Mark II</i> Options.....	12
Thermal Transfer Option .....	13
Internal Rewind Option.....	14
Cutter Option .....	15
Present Sensor Kit .....	16
Communication Card Options .....	18
RFID Option (HF and UHF) <i>M-4210 and M4308 only</i> .....	19
Supply Hub Media Retainer Kits .....	20

## Using this Manual

Before using this manual it is important to identify the model printer you are locating parts for. Many parts are used across all models, yet some are specific to certain models. The model of printer is located on the serial label on the rear of the printer.

This manual covers the following M-Class *Mark II* models:

M-4206, M-4210, and M-4308



For more information on ordering or becoming a partner please contact:

**Datamax-O'Neil Customer Care**  
407-523-5550  
[customercare@datamax-oneil.com](mailto:customercare@datamax-oneil.com)

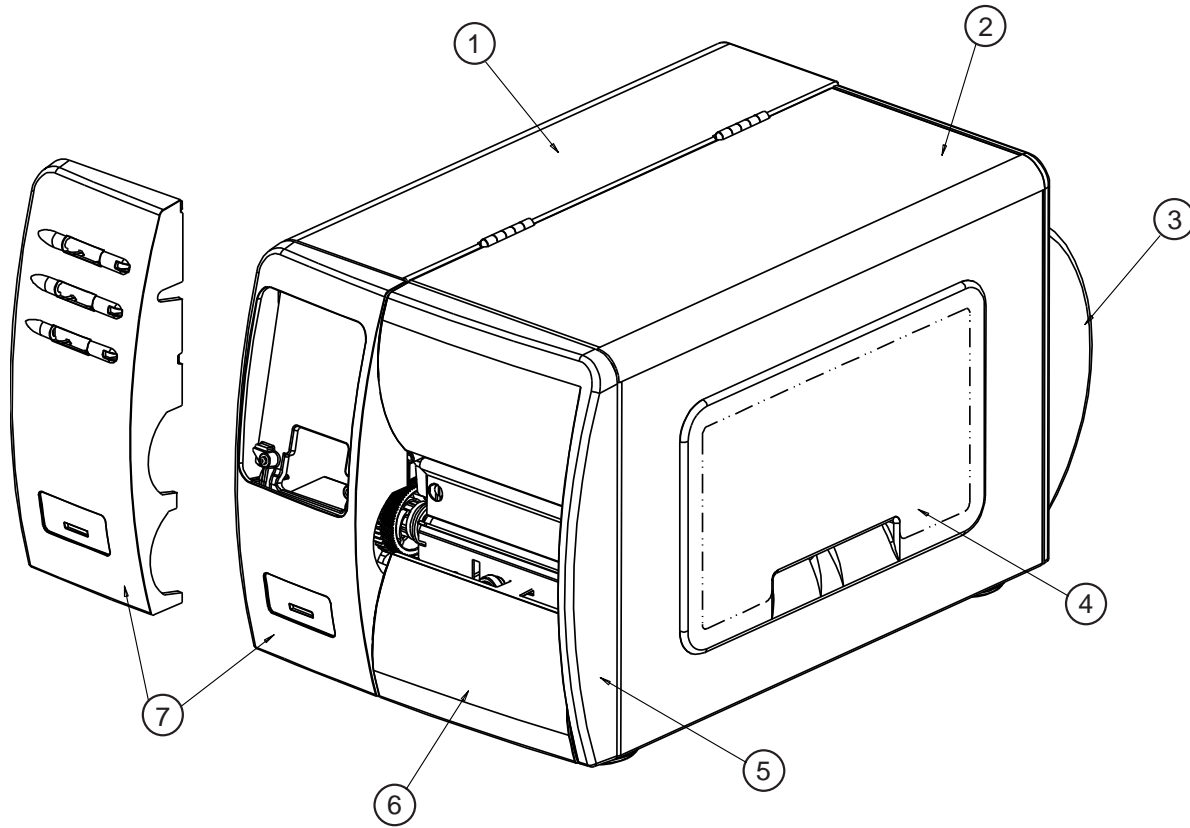
## Revision Listing

Date	Rev.	Changes
8/20/08	A	Initial Release
9/8/08	B	Section 'Front Panel Assemblies', added Board to item #1 Kit
2/24/09	C	Added 17-3040-01, (10PK) Spring, Head Lift, Front Removed (item 2) individual PCB boards
6/1/09	D	Changed DPR11-5563-01 to DPR15-3006-02 Cover Assembly, Electronics
9/13/10	E	Removed DPR78-2720-01, Board, Main, 4MB Flash – M-4206
3/16/11	F	DPO11-5562-01 Cover, Media, Top, Replaced with: DPO11-5562-02 Cover, Media, Top
10/1/11	G	Removed OPT78-2754-03 RFID UHF Upgrade Option, (L3) Removed OPT78-2754-04 RFID UHF Upgrade Option, (L4)
6/1/12	H	Added: DPO11-5378-01 (2/PK) Cover Plate DPO16-2791-01 Cover, Enclosure, Cutter DPR51-2411-00 CCA, Cutter DPR32-2634-01 Cable Assy, Graphics Display
12/1/12	J	OPT78-2724-15DMXNet II 802.11 Wireless and LAN Card; Replaced with: OPT78-2829-02DMXNet III WPA2 802.11 Wireless and LAN Card Added: DPR51-2366-01 CCA, Peel & Present Sensor DPO16-2527-01 Supply, Media Retainer DPO17-3221-01 (4PK) Spring, Torsion - Supply Hub DPO17-3104-02 Antenna R. Duck RP/SMA
12/1/13	K	OPT78-2724-11DMXNet II 802.11b/g Wireless, LAN, and USB Card; Replaced with: OPT78-2829-01DMXNet III WPA2 802.11b/g Wireless, LAN and USB Card

92-2503-01 Rev. K

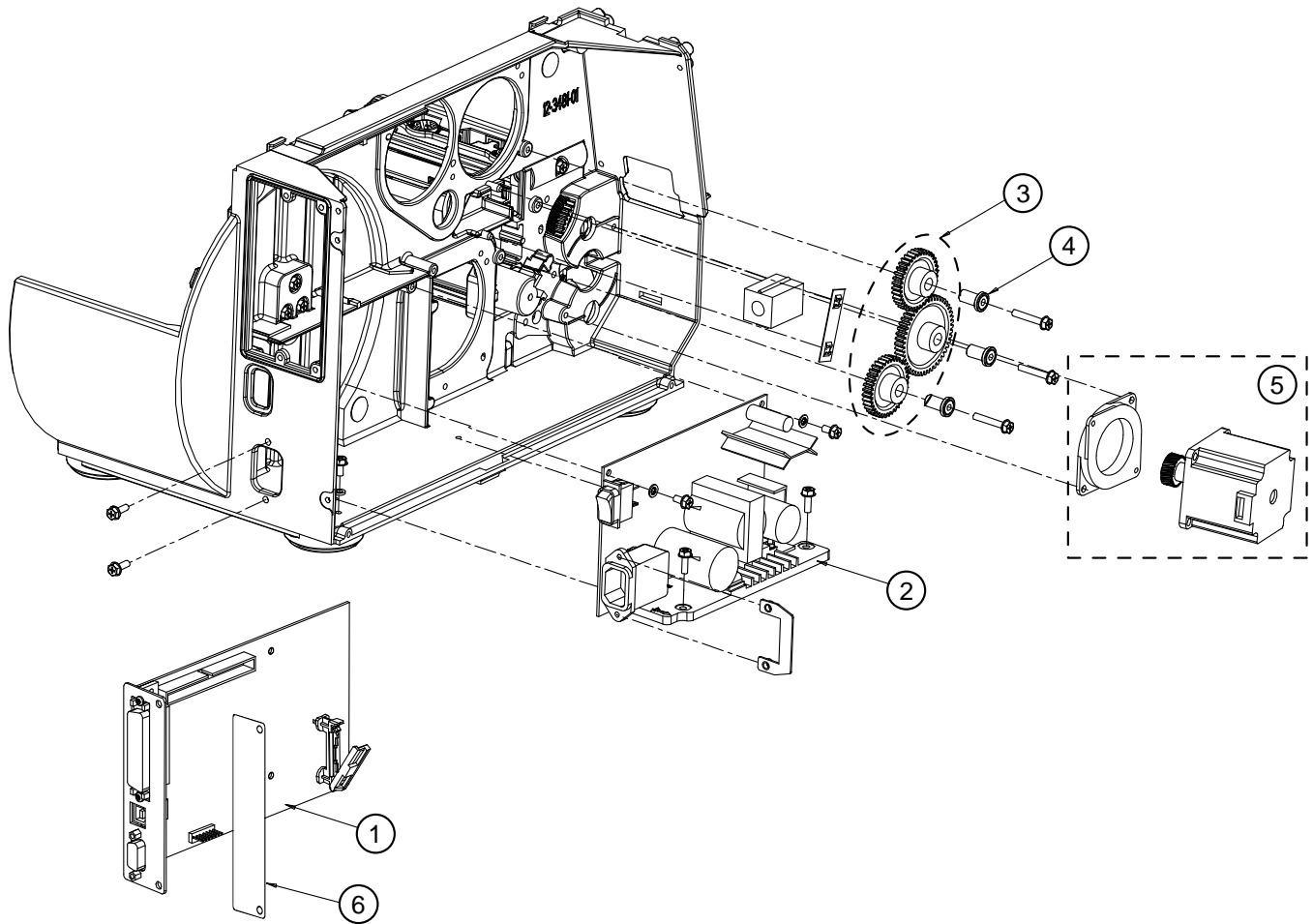
# M-Class *Mark II* Printer Assemblies

Cover Assembly



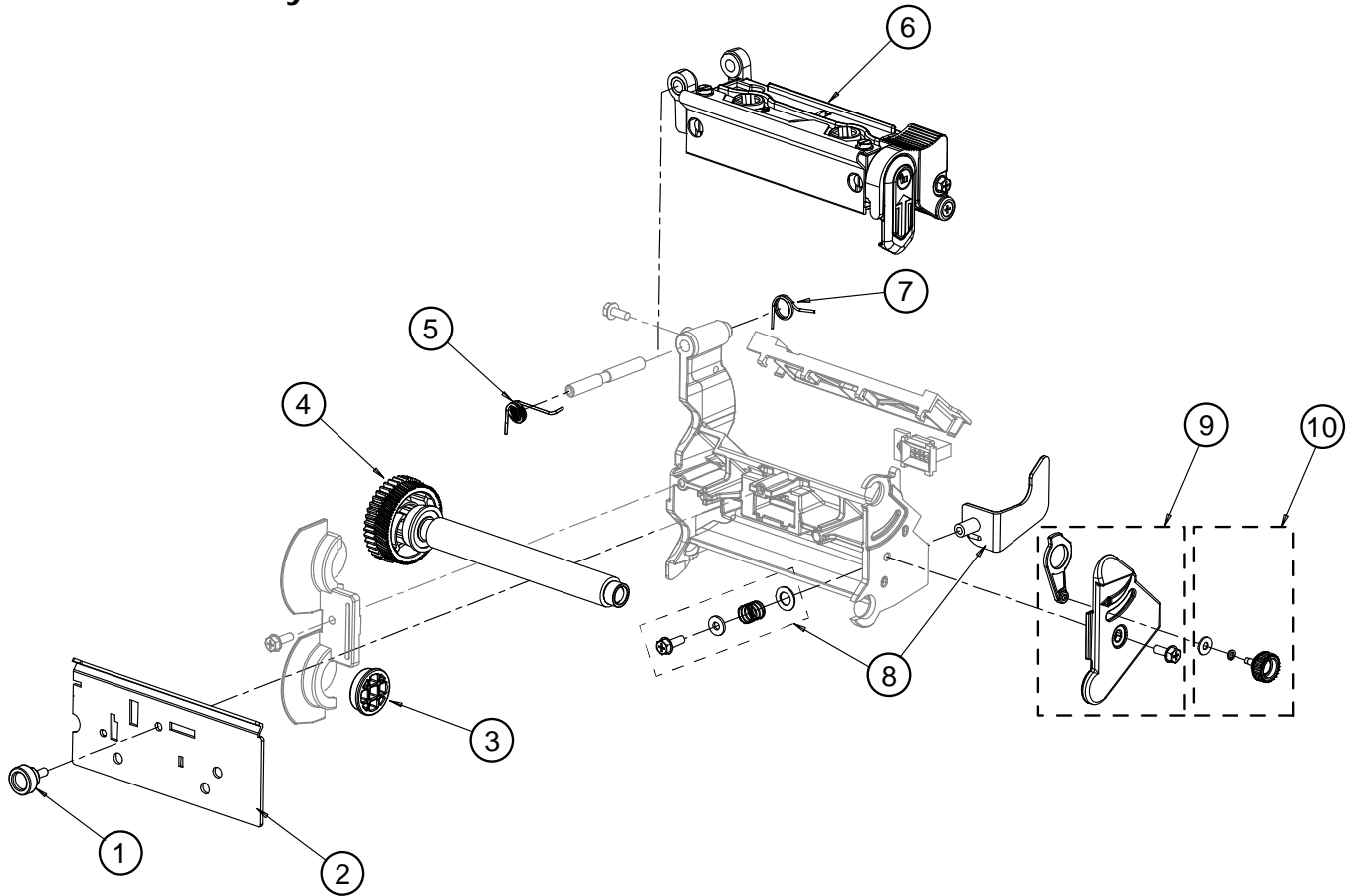
#	Part#	Description	Notes
1	DPR15-3006-02	Cover Assembly, Electronics	
2	DPO11-5562-02	Cover, Media, Top	
3	DPO16-2922-01	Cover, Media, Rear	
4	DPO16-2928-01	Cover, Media, Window	
5	DPO16-2897-01	Cover, Media, Front	
6	DPO16-2707-01	Cover, Filler Block	
7	DPR16-2895-01	Cover, Front Panel, Left, 3 Button/3LED	
	DPR16-2929-01	Cover, Front Panel, Left, Graphic Display	

Printer Assembly 1 of 2



#	Part#	Description	Notes
1	DPR78-2720-02	Board, Main, 8MB Flash – M-4206	
	DPR78-2722-01	Board, Main, 8MB Flash – M-4210 & M-4308	
	DPR78-2722-02	Board, Main, 64MB Flash – M-4210 & M-4308	
2	DPR51-2357-00	Board, Power Supply	
3	DPR78-2764-01	Kit, Drive Gear	
4	DPR12-2905-01	(25PK) Post, Idler	
5	DPR78-2765-01	Kit, Stepper Motor, M-42xx	
	DPR78-2765-02	Kit, Stepper Motor, M-43xx	
6	DPO11-5378-01	(2/PK) Cover Plate	

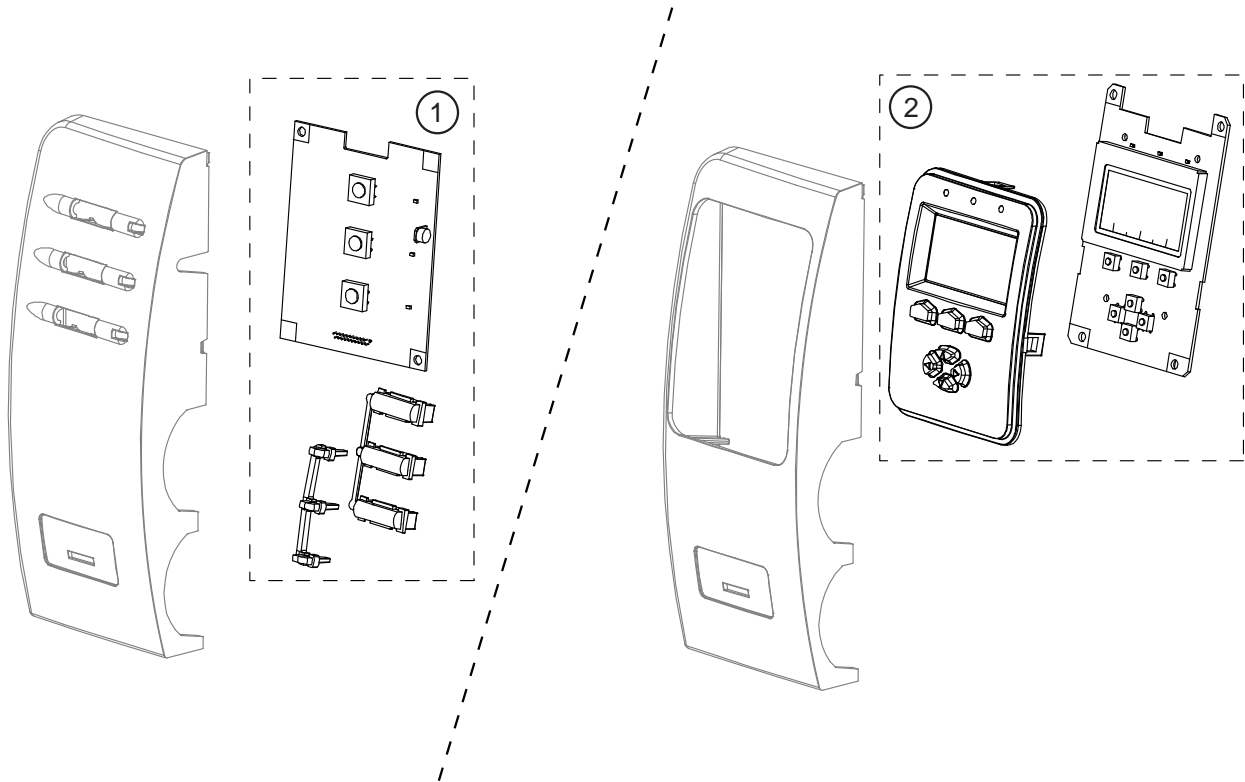
Printer Assembly 2 of 2



#	Part#	Description	Notes
1	DPO17-2858-01	(2PK) Screw, Knurled M4 X10mm	
2	DPO11-5344-01	Tear Bar	
3	DPO16-2965-01	Spacer	
4	ROL15-2847-01	Kit, Upper Platen Roller, 203 DPI – M-42xx	
	ROL15-2847-03	Kit, Upper Platen Roller, 300 DPI – M-4308	
5	DPR17-3040-01	(10PK) Spring, Head Lift, Front	
6	DPR15-3198-01	Assy, Printhead Carriage	
7	DPR17-3039-01	(10PK) Spring, Head Lift, Rear	
8	DPO16-3203-01	Media Guide	
9	DPR15-3204-01	Kit, Bearing Retainer	
10	DPO15-3205-01	Kit, M3 X 6mm Thumbscrew	

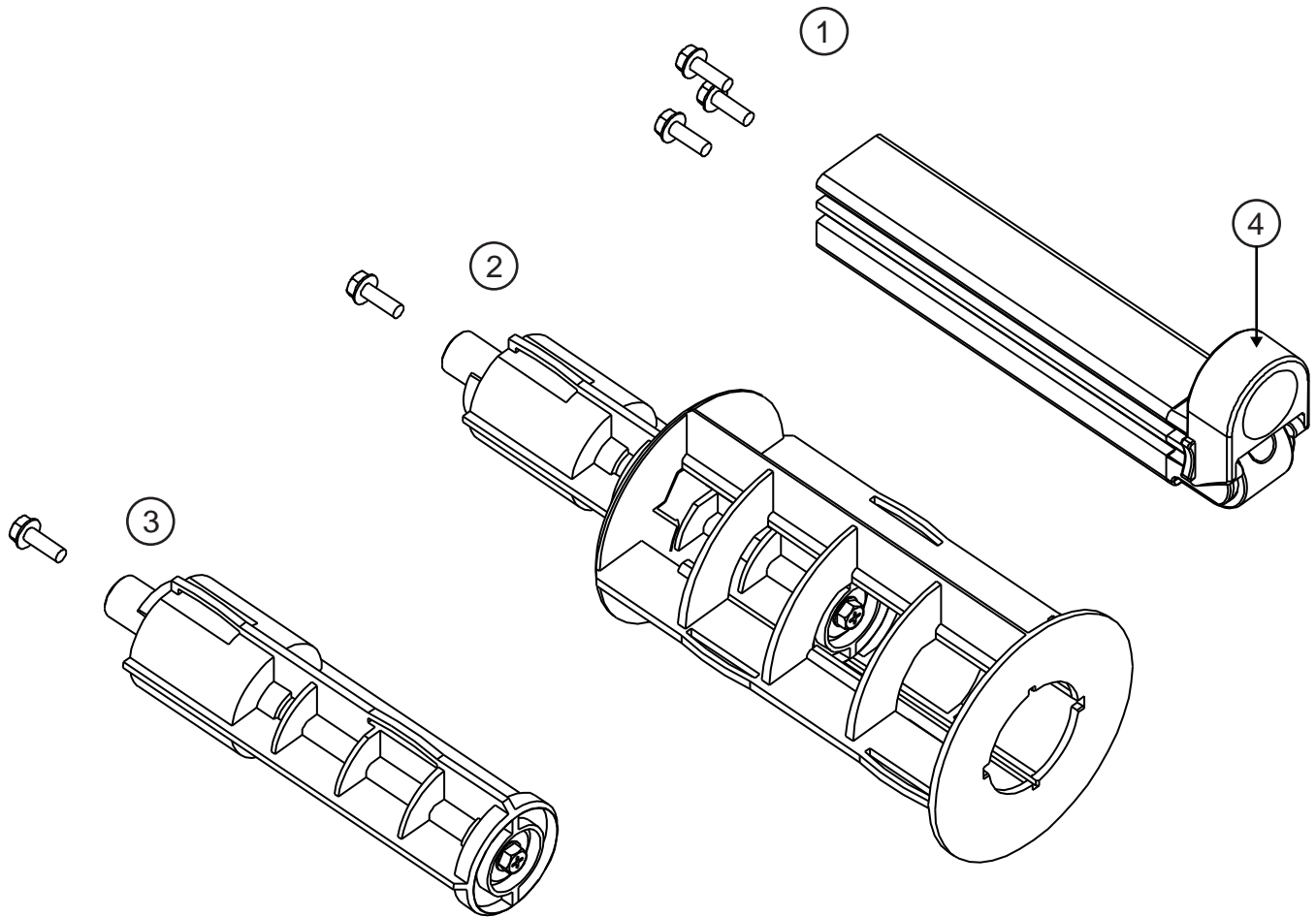


Front Panel Assemblies



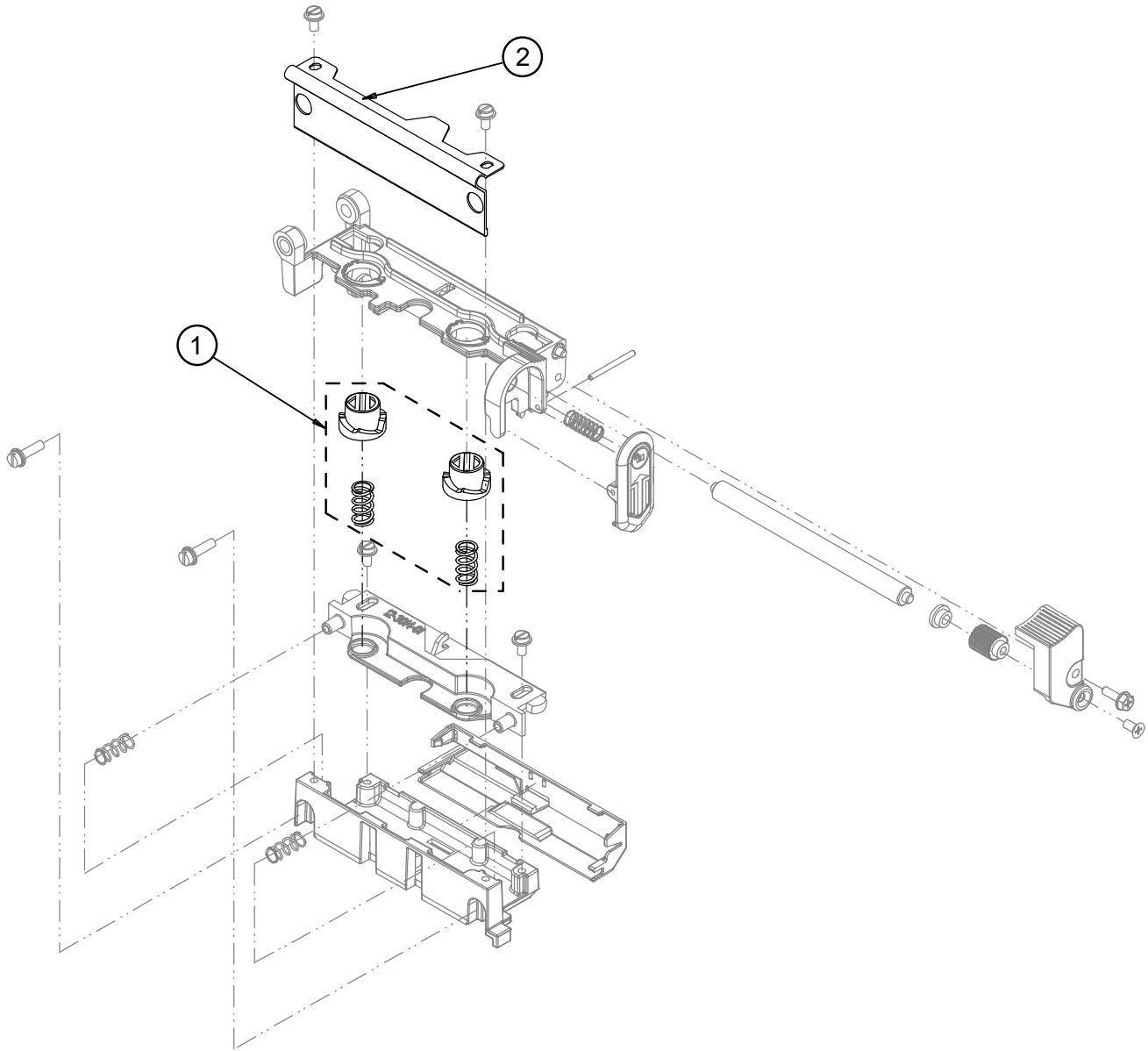
#	Part#	Description	Notes
1	DPR78-2766-01	Kit, Board, Buttons and Lightpipe	
2	DPR78-2767-01	Kit, Display and Bezel	
	DPR32-2634-01	Cable Assy, Graphics Display	Not shown; display models only

Media Supply Hubs



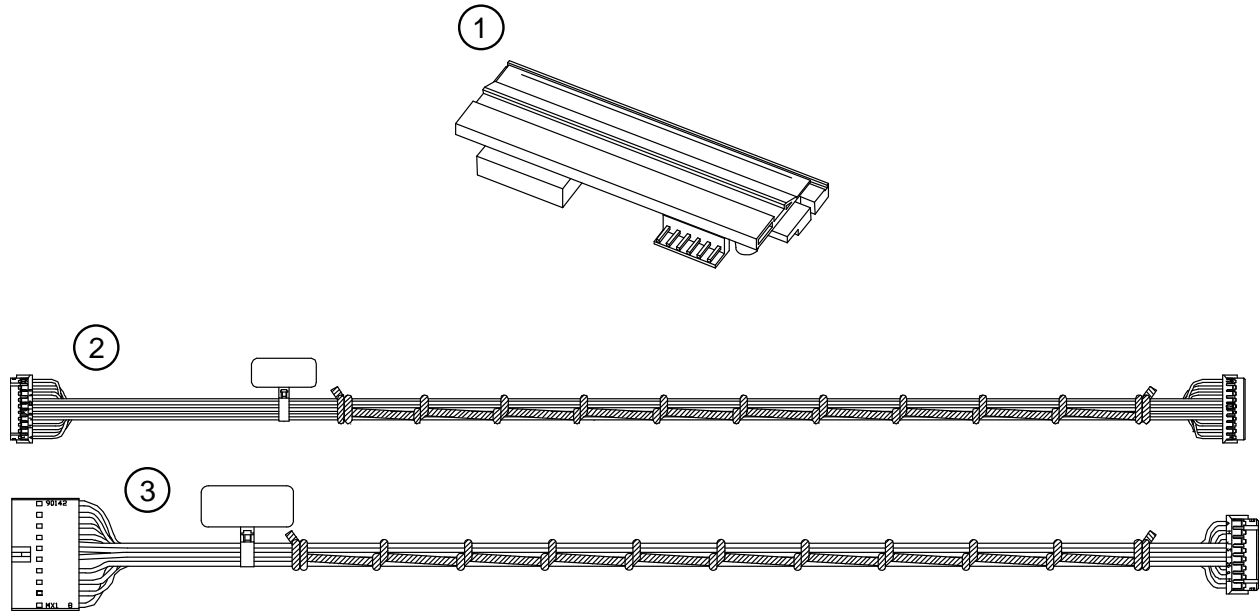
#	Part#	Description	Notes
1	DPR78-2718-01	Assy, Media Hanger	
2	DPR78-2717-01	Assy, 3"/1.5" Media Supply Hub	
3	DPR78-2726-01	Assy, 40mm Media Supply Hub	
4	DPO16-2527-01	Supply, Media Retainer	

Printhead Assembly



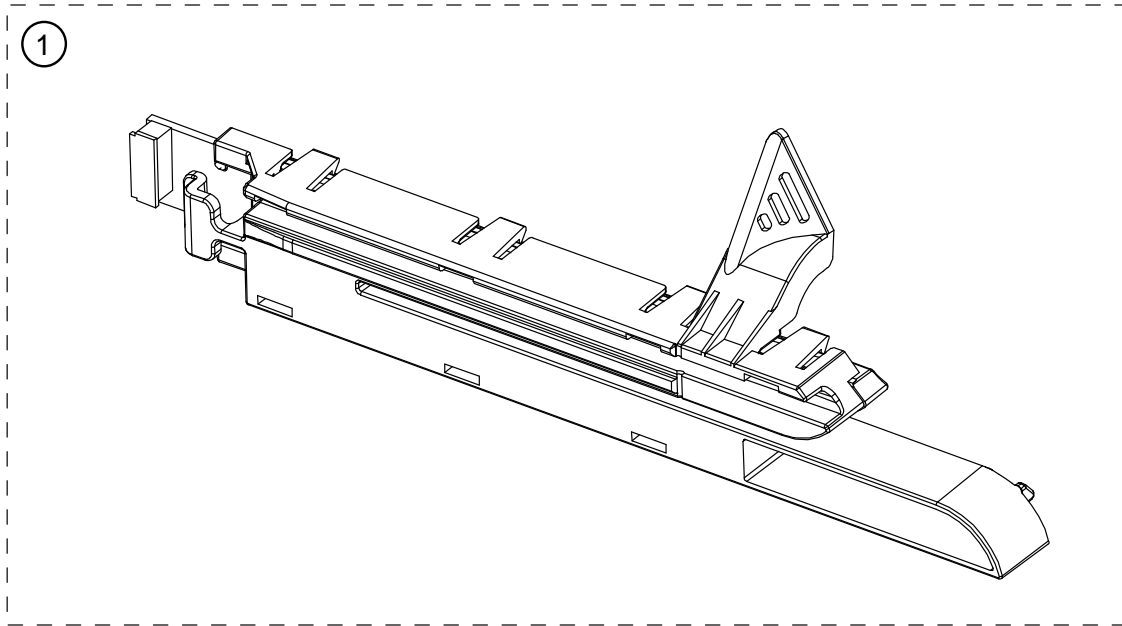
#	Part#	Description	Notes
1	DPR78-2768-01	Kit, Head Pressure Cam and Spring	
2	DPO11-5760-01	(5PK) Guide, Ribbon	

Printhead and Printhead Cables



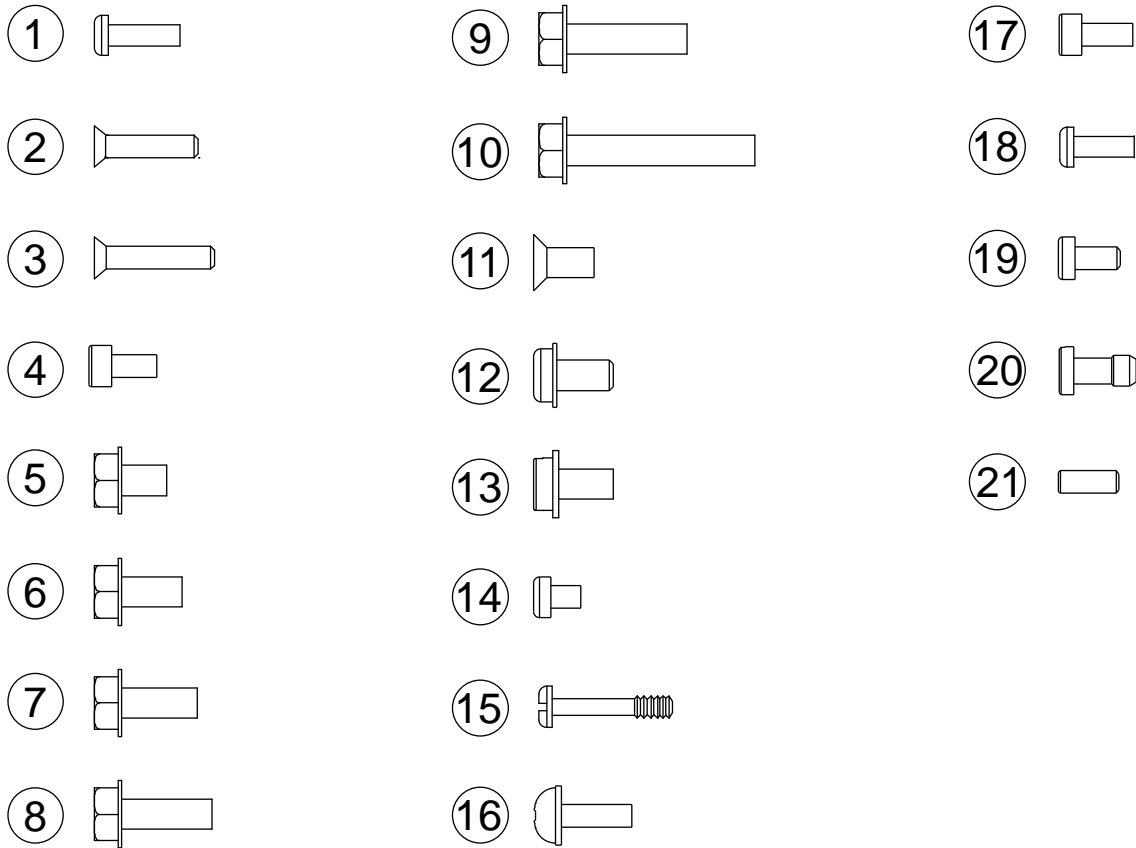
#	Part#	Description	Notes
1	PHD20-2261-01	Printhead, IntelliSEAQ, 203DPI – M-4206	
	PHD20-2260-01	Printhead, IntelliSEAQ, 203DPI – M-4210	
	PHD20-2263-01	Printhead, IntelliSEAQ, 300DPI – M-4308	
2	DPR32-2527-01	Printhead Power Cable	
3	DPR32-2632-01	Printhead Data Cable	

### Media Sensor



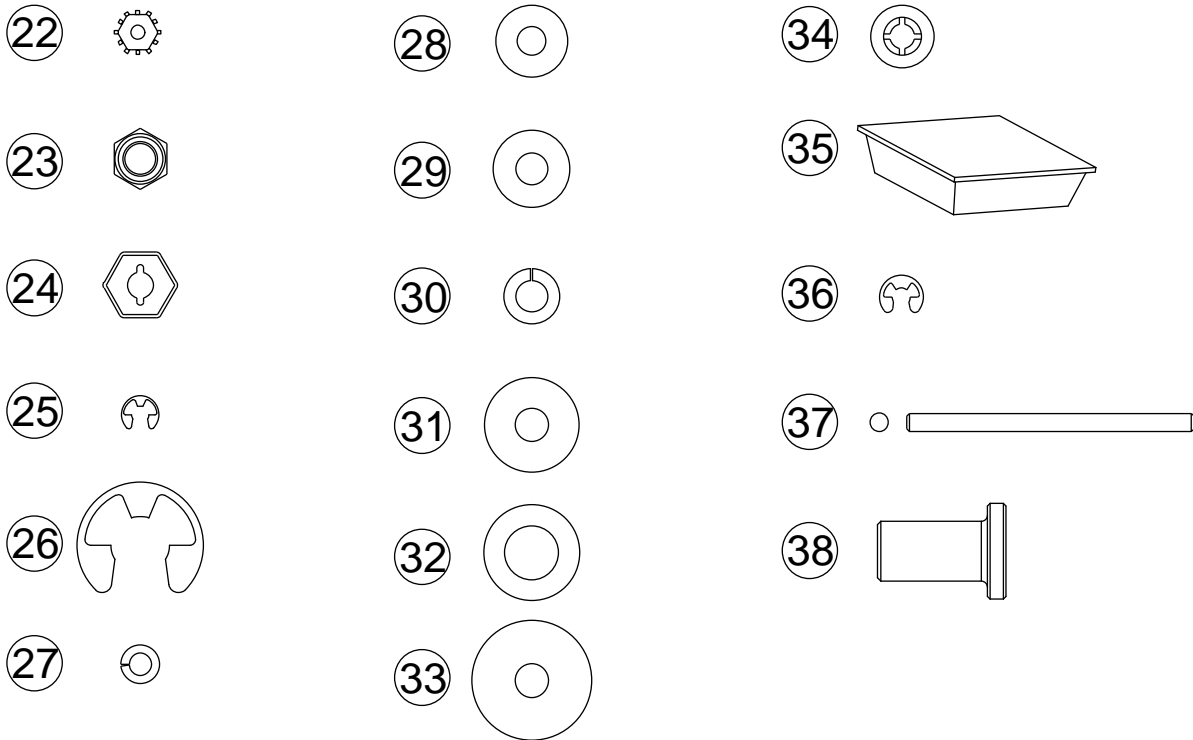
#	Part#	Description	Notes
1	DPR24-2613-01	Media Sensor	

Hardware and Small Parts 1 of 2



#	Part#	Description	Notes
1	DPO130919	(50PK) Screw, 4-40x3/8, PHD	
2	DPO10-2514-05	(50PK) Screw, M3x14, FHD	
3	DPO10-2514-06	(50PK) Screw, M3x16, FHD	
4	DPO10-2515-01	(50PK) Screw, M3x6, SHD	
5	DPO10-2903-01	(50PK) Screw, M4x6, PHD	
6	DPO10-2903-02	(50PK) Screw, M4x8, PHD	
7	DPO10-2903-03	(50PK) Screw, M4x10, PHD	
8	DPO10-2903-04	(50PK) Screw, M4x12, PHD	
9	DPO10-2903-05	(50PK) Screw, M4x16, PHD	
10	DPO10-2903-06	(25PK) Screw, M4x25, PHD	
11	DPO10-2984-01	(50PK) Screw, M4x8, FHD	
12	DPO10-2813-01	(50PK) Screw, M4x8, PHD	
13	DPO10-3030-01	(50PK) Screw, M4x8, PHD	
14	DPO10-2830-01	(25PK) Screw, M3x6, PHP	
15	DPO10-3069-01	(3PK) Screw, Captive, S.S,	
16	DPO130939	(25PK) Screw, M3X.5	
17	DPO10-2159-01	(25PK) Screw, SHD M3 X 5	
18	DPO10-0247-01	(50PK) Screw, 4-40x5/16, PHD	
19	DPO10-2985-01	(50PK) Screw, M3x6	
20	DPO10-3081-01	(10PK) Screw, M4, Captive	
21	DPO10-2976-01	(50PK) Set Screw, M3x8	

Hardware and Small Parts 2 of 2

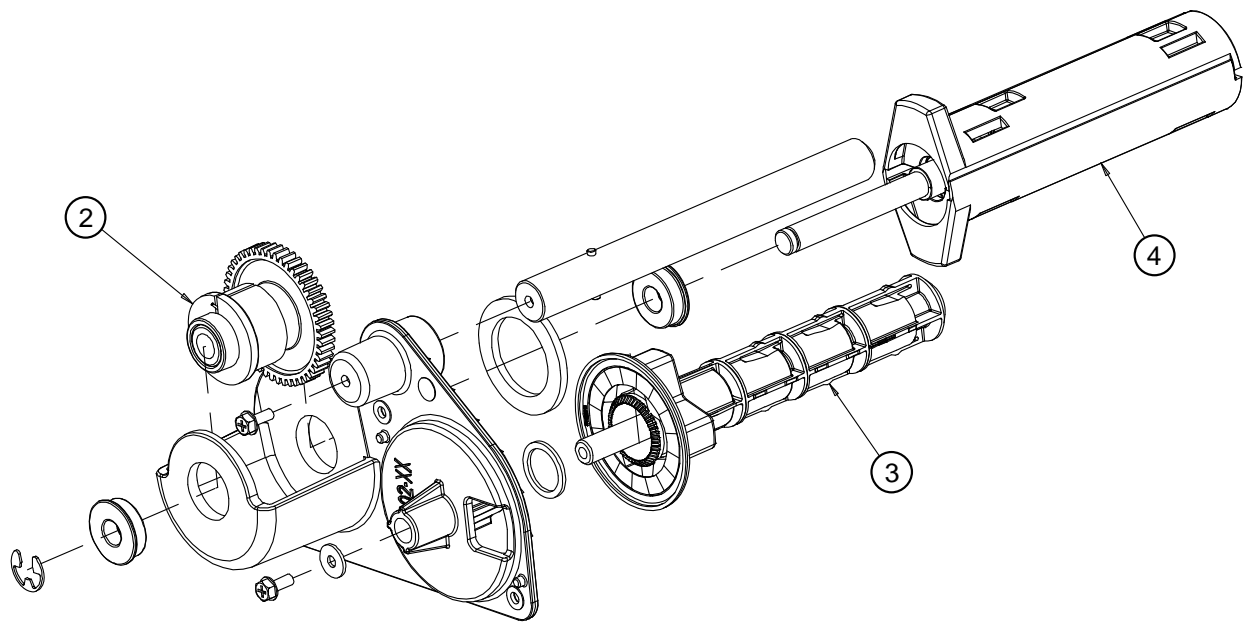
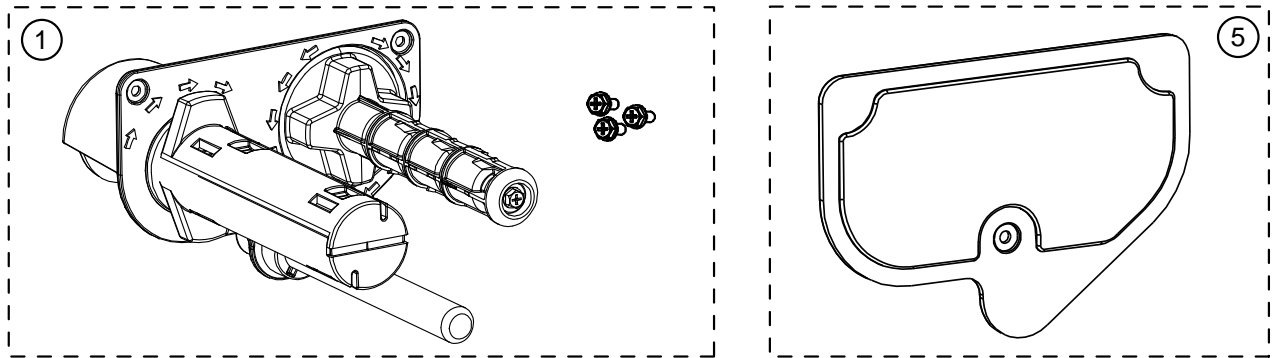


#	Part#	Description	Notes
22	DPO130944	(50PK) Nut, M3 X .5	
23	DPO10-2905-01	(50PK) Nut, Self Locking	
24	DPO10-3064-01	(25PK) Nut, Self Threading	
25	DPO10-3021-01	(50PK) E-Ring, 3/32	
26	DPO10-0563-01	(50PK) E-Ring, 3/8	
27	DPO10-0009-01	(50PK) Washer, #4, Lock	
28	DPO10-2862-01	(50PK) Washer, #6, Flat	
29	DPO10-2104-01	(50PK) Washer, #8, Flat	
30	DPO10-0526-01	(50PK) Washer, #8, Split-Lock	
31	DPO10-2113-13	(50PK) Washer, Flat	
32	DPO10-2904-01	(50PK) Washer, Flat Nylon, .50 X .281	
33	DPO10-2975-01	(25PK) Washer, Flat	
34	DPO10-3118-01	(50PK) Washer, Nylon Retaining	
35	DPO10-2913-01	(48PK) Foot, Stick-On	
36	DPO10-0307-01	(50PK) Ring, Retaining, .125D	
37	DPO10-3072-01	(10PK) Pin Dowel 3/32ODx1.5	
38	DPR12-2905-01	(25PK) Post, Idler	

# M-Class *Mark II* Options

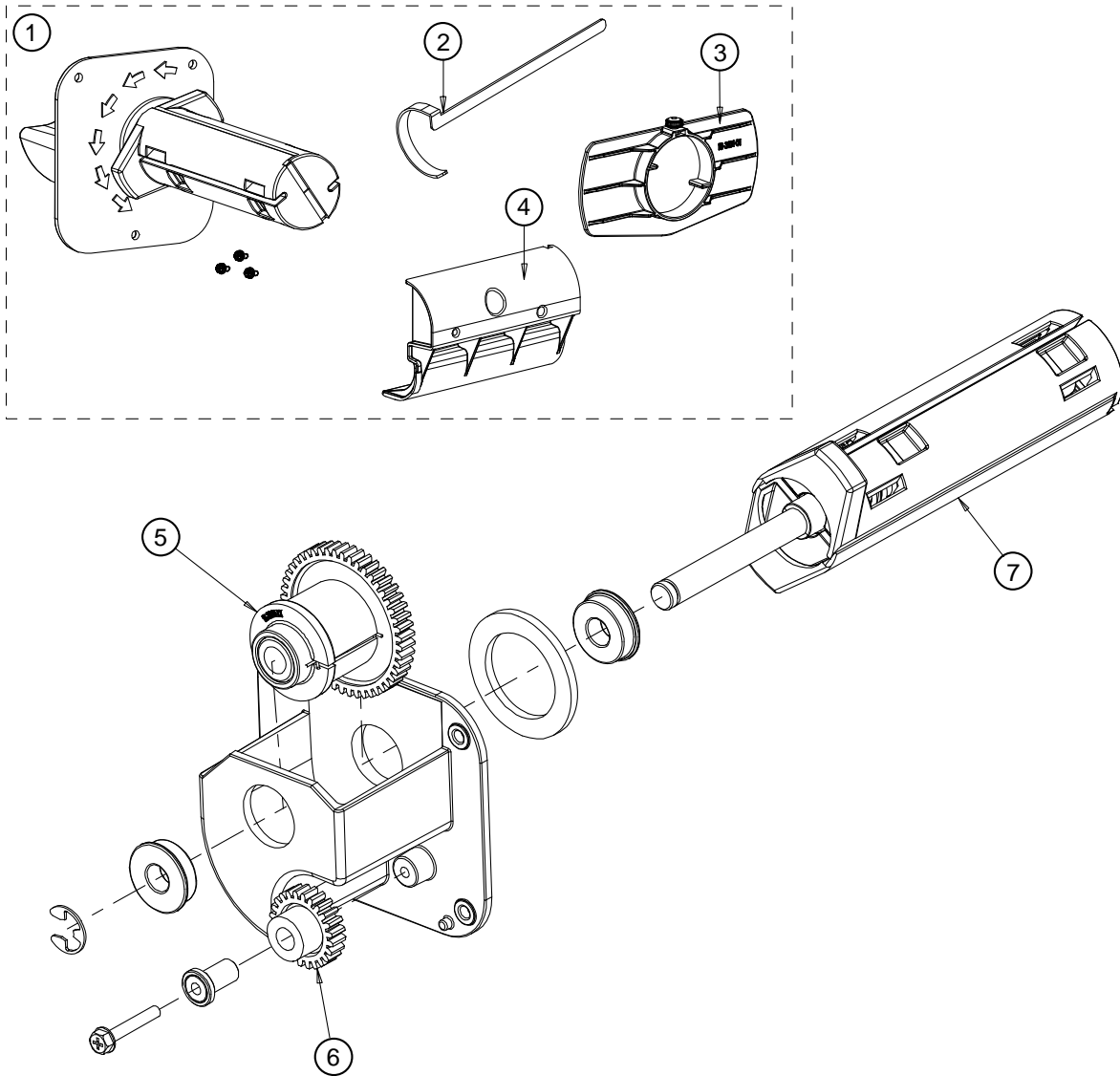


**Thermal Transfer Option**



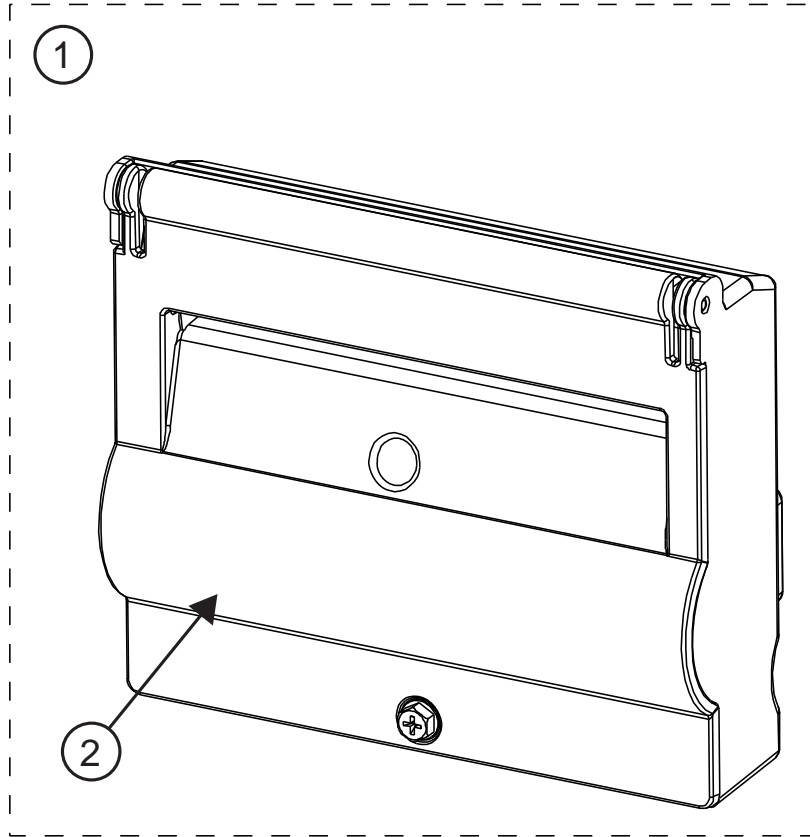
#	Part#	Description	Notes
1	OPT78-2697-01	Thermal Transfer Option	
2	DPR15-2776-21	(2PK) Clutch Assembly, Ribbon Rewind	
3	DPR15-3044-01	Assy, Ribbon Supply Hub	
4	DPO15-2840-01	Assy, Take Up Hub	
5	DPO12-3264-01	Cover, Direct Thermal	
--	DPO17-3221-01	(4PK) Spring, Torsion - Supply Hub	

**Internal Rewind Option**



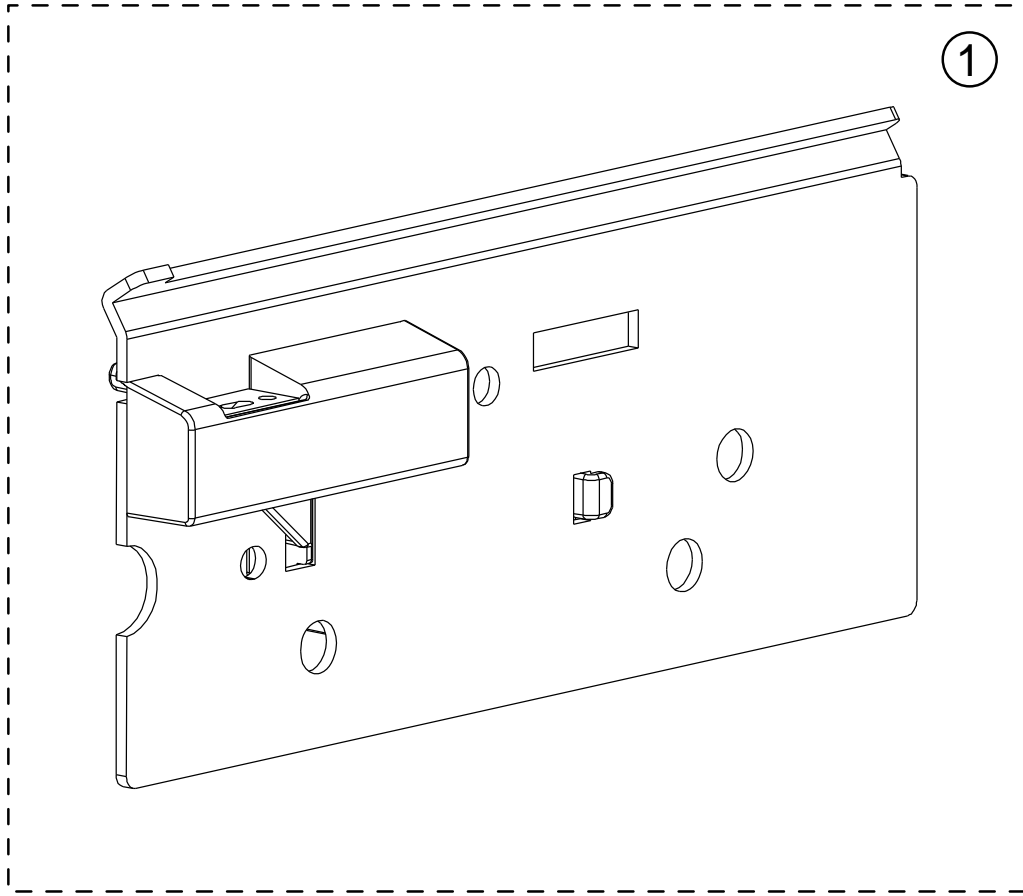
#	Part#	Description	Notes
1	OPT78-2735-02	Internal Rewind Option	
2	DPO11-5613-01	Retainer, Media	
3	DPO15-3114-01	Assy, Media Guide Rewinder	
4	DPO16-2931-01	Bracket Rewind	
5	DPR15-2802-41	(2PK) Clutch Assembly, Media Hub	
6	DPR17-2860-01	(10PK) Gear, Spur, 24t	
7	DPO15-2840-01	Assy, Take Up Hub	

Cutter Option



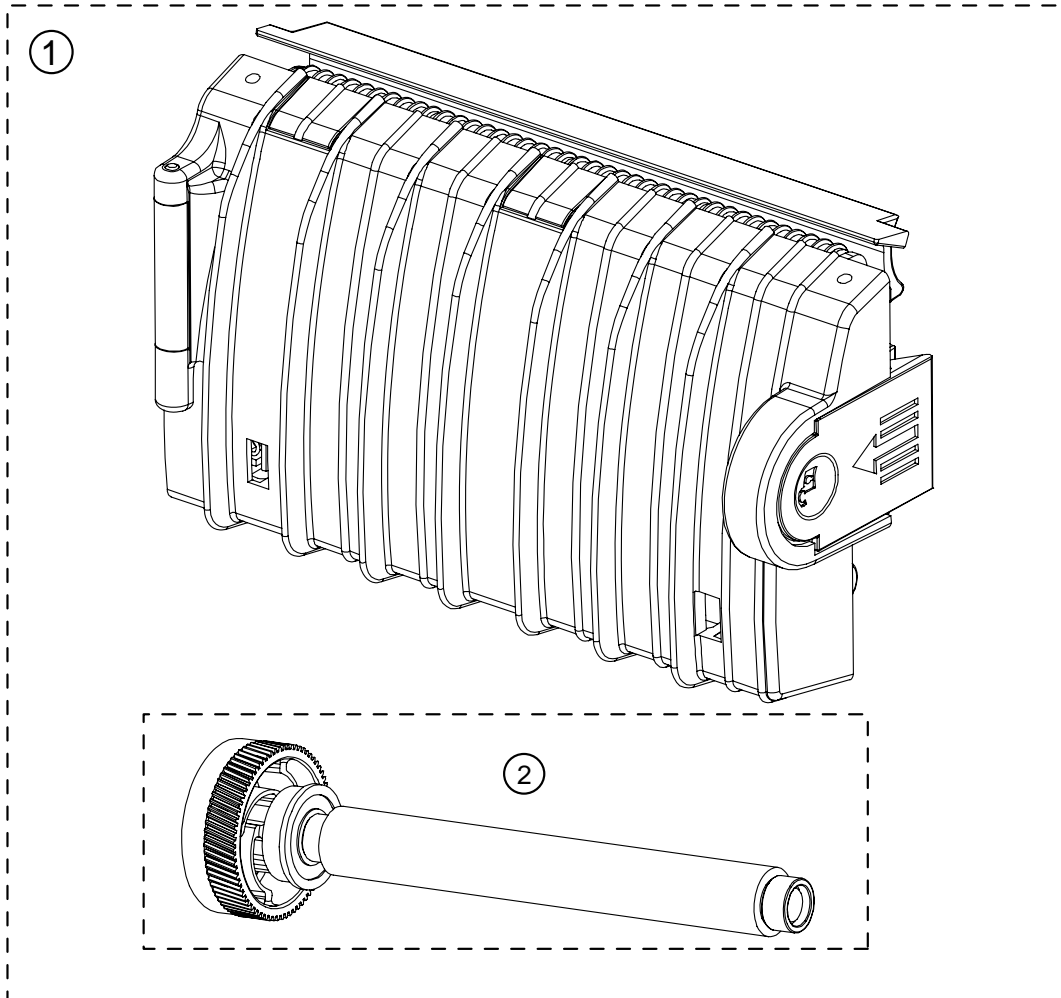
#	Part#	Description	Notes
1	OPT78-2738-01	Cutter Option	
2	DPO16-2791-01	Cover, Enclosure, Cutter	
--	DPR51-2411-00	CCA, Cutter	<i>Not shown</i>

Present Sensor Kit



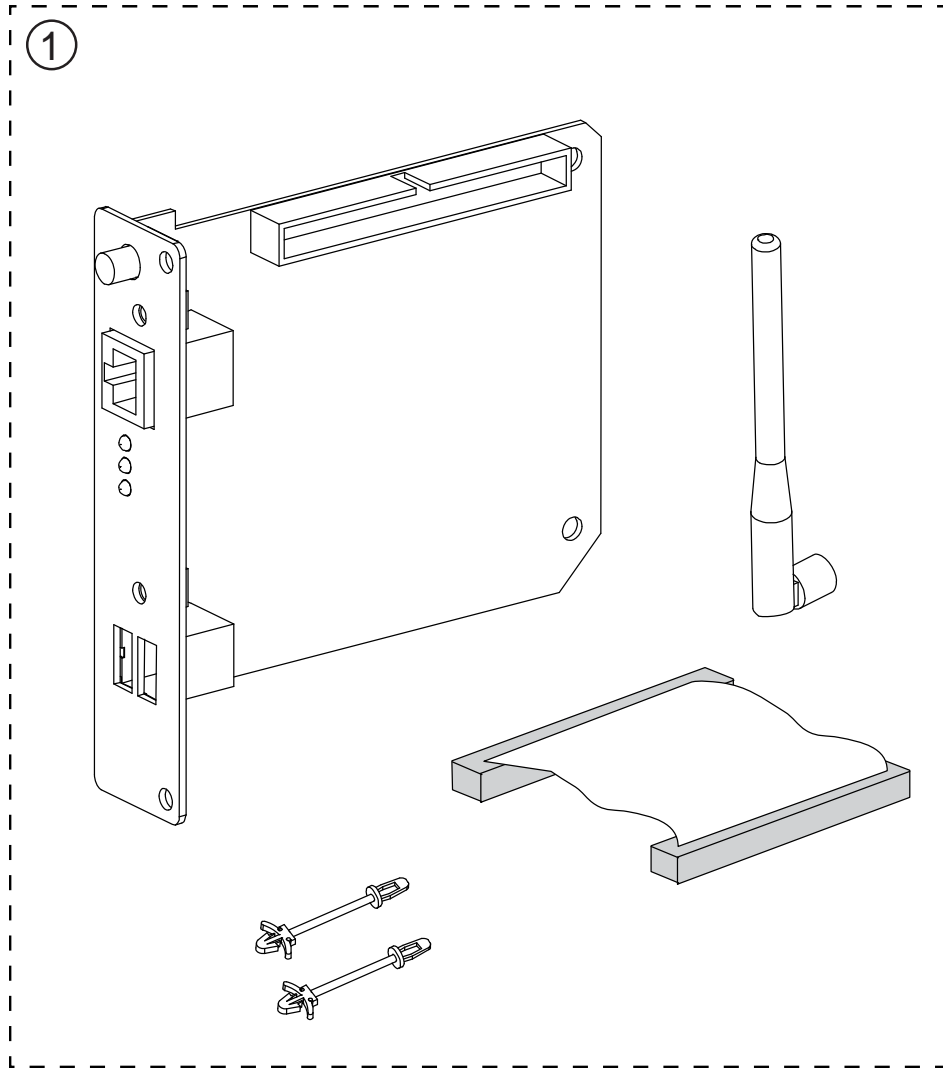
#	Part#	Description	Notes
1	OPT78-2736-01	Present Sensor Kit	

Peel and Present Option



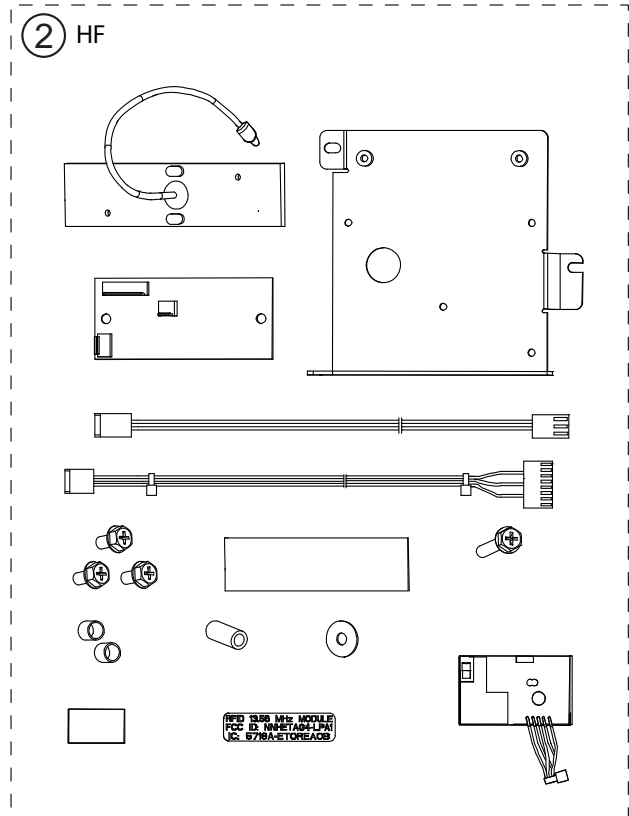
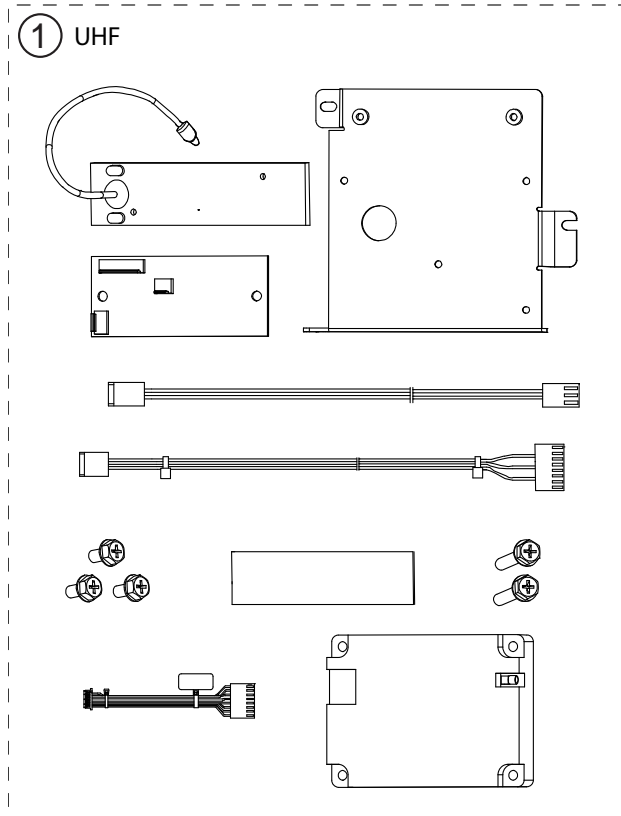
#	Part#	Description	Notes
1	OPT78-2737-01	Peel and Present, 203 DPI – M-4206 & M-4210	
	OPT78-2482-02	Peel and Present, 300 DPI – M-4308	
2	ROL78-2552-02	Kit, Lower Platen Roller, 203 DPI – M-42xx	
	ROL78-2552-04	Kit, Lower Platen Roller, 300 DPI – M-4308	
--	DPR51-2366-01	CCA, Peel & Present Sensor	

Communication Card Options



#	Part#	Description	Notes
1	OPT78-2724-02	DMXNet II LAN and USB Host Card	M-4210 &M-4308 Only
	OPT78-2724-03	DMXNet II LAN Card	
	OPT78-2724-04	USB Host Card	M-4210 &M-4308 Only
	OPT78-2829-01	DMXNet III WPA2 802.11b/g Wireless, LAN and USB Card	M-4210 &M-4308 Only
	OPT78-2829-02	DMXNet III WPA2 802.11b/g Wireless and LAN Card	
--	DPO17-3104-02	Antenna R. Duck RP/SMA	

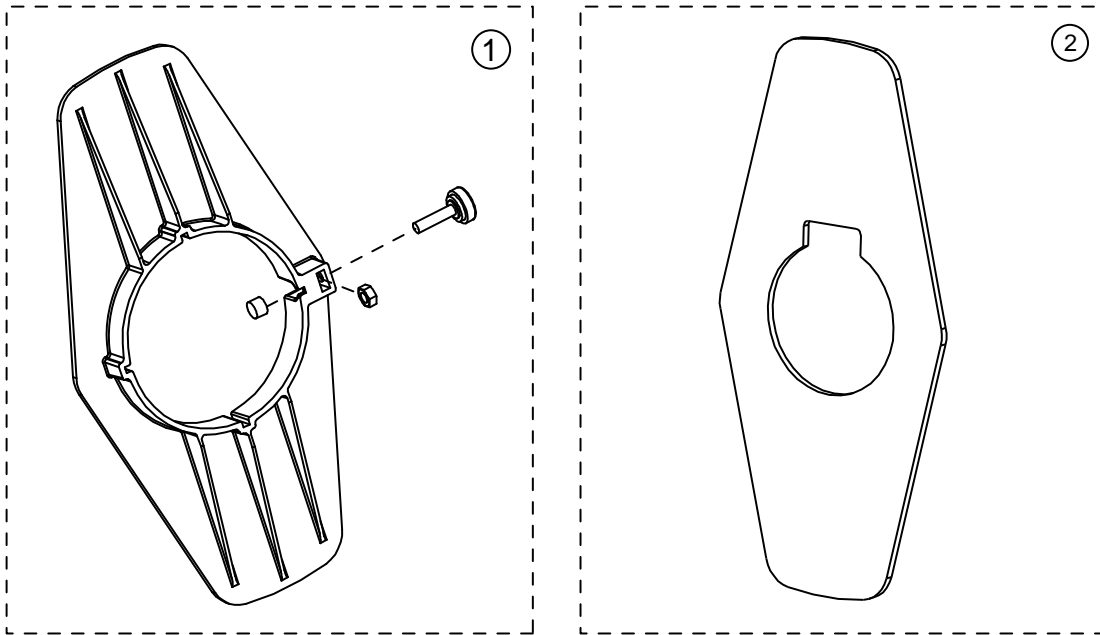
**RFID Option (HF and UHF) M-4210 and M4308 only**



#	Part#	Description	Notes
1	OPT78-2754-01	RFID UHF Upgrade Option, (L1)	Us/Canada
	OPT78-2754-02	RFID UHF Upgrade Option, (L2)	Germany, Denmark, Finland, Iceland, Switzerland, Cyprus, United Kingdom, Malta, Serbia, France, Bulgaria, Slovenia, Poland, Lithuania, Estonia, Czech, Republic, Luxembourg, Greece, Netherlands, Ireland, Belgium, Hungary, Italy, Norway, Portugal, Spain, Slovak Republic, and Sweden
	OPT78-2754-05	RFID UHF Upgrade Option, (L5)	Australian/Hong Kong
	OPT78-2754-06	RFID UHF Upgrade Option, (L6)	New Zealand
	OPT78-2754-07	RFID UHF Upgrade Option, (L7)	Israel
	OPT78-2754-08	RFID UHF Upgrade Option, (L8)	Japan
	OPT78-2754-09	RFID UHF Upgrade Option, (L9)	Korea
	OPT78-2754-10	RFID UHF Upgrade Option, (R1)	India
	OPT78-2754-11	RFID UHF Upgrade Option, (R2)	Taiwan
2	OPT78-2754-00	RFID HF Upgrade Option, (J2)	

\*(L1, L2, L3, etc.) = CID Designator

Supply Hub Media Retainer Kits



#	Part#	Description	Notes
1	OPT15-2872-01	Supply Hub Media Retainer Kit	For use on round hubs only.
2	OPT13-2375-01	Supply Hanger Media Retainer Kit	For use on hangers only.