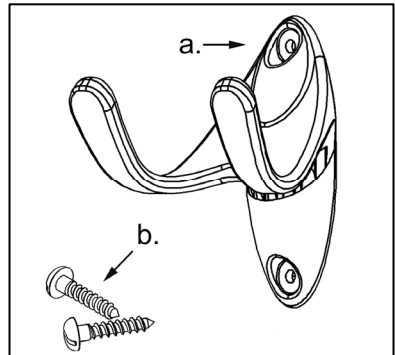


## MS9500 Wall Mount Hanger

### Kit PN 46-46433 includes:

- a. Wall Mount Hanger ..... Qty. 1  
[ PN 36-00611 ]
- b. #8 Wood Screw ..... Qty. 2  
[ PN 18-18057 ]



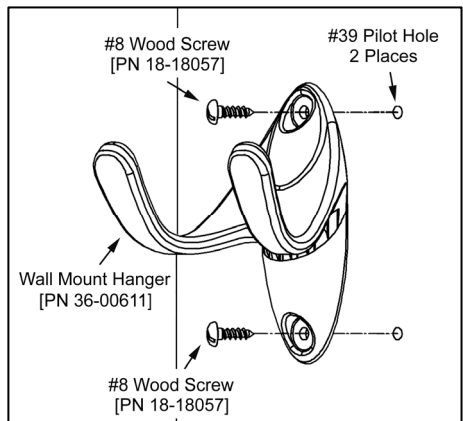
### Installation

#### Step 1:

Drill two #39 pilot holes 3.00" apart.

#### Step 2:

Attach the *Wall Mount Hanger* to the wall with the two #8 wood screws provided.



### Honeywell Scanning & Mobility

9680 Old Bailles Road

Fort Mill, SC 29707

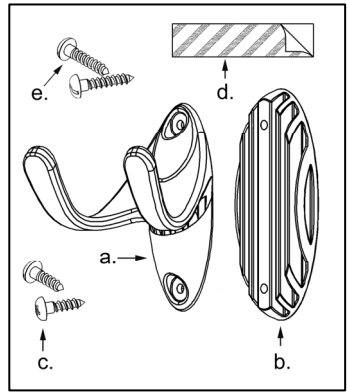
[www.honeywellaidc.com](http://www.honeywellaidc.com)



# Additional Kit Available

## Kit PN 46-46508 includes:

- a. Wall Mount Hanger .....Qty. 1  
[ PN 36-00611 ]
- b. Wall Mount Base.....Qty. 1  
[ PN 36-00812 ]
- c. 4.8 x 13 mm, Self Tapping Screw ..Qty. 2  
[ PN 18-18233 ]
- d. Double-Sided Adhesive Tape .....Qty. 1  
[ PN 36-00821 ]
- e. #8 Wood Screw.....Qty. 2  
[ PN 18-18057 ]



## Installation

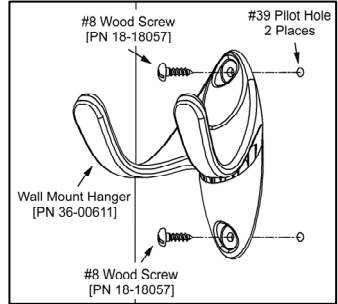
### Option One

#### Step 1:

Drill two #39 pilot holes 3.00" apart.

#### Step 2:

Attach the *Wall Mount Hanger* to the wall with the two #8 wood screws provided.



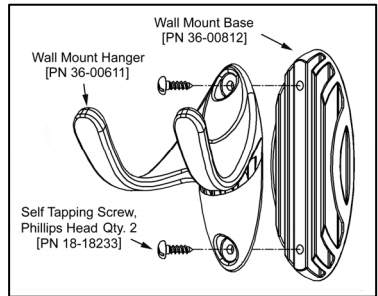
### Option Two

#### Step 1:

Attach the Wall Mount Base to the Wall Mount Hanger with the two 4.8 x 13 mm self-tapping screws.

#### Step 2:

Remove one side of the protective backing from the double-sided adhesive tape.



#### Step 3:

Attach the tape to the back of the Wall Mount Hanger as shown.

#### Step 4:

Remove the protective backing from the double-sided adhesive tape and apply hook to the wall.

