

## Product Data Sheet

### Product Datasheet

### MNO1 and MNO1B Nitric Oxide Sensor

#### Document Purpose

The purpose of this document is to present the performance specification of the MNO1 and MNO1B Nitric Oxide gas sensors.

This document should be used in conjunction with the Product Data Handbook (mtoxops.pdf) and the Product Safety Datasheet (PSDS 5 for MNO1, PSDS 5B for MNO1B).

The data provided in this document are valid at 20°C, 50% RH and 1013 mBar for 3 months from the date of sensor manufacture.

Output signal can drift below the lower limit over time. For guidance on the safe use of the sensor, please refer to the Product Data Handbook (mtoxops.pdf).

## Product Data Sheet

### Key Features & Benefits:

- Capable of continuous measurement
- 4th electrode for additional temperature stability

### Technical Specifications

#### MEASUREMENT

<b>Operating Principle</b>	4-electrode electrochemical
<b>Measurement Range</b>	0-100 ppm
<b>Maximum Overload</b>	1500 ppm
<b>Output Signal</b>	0.25 ± 0.05 µA/ppm
<b>Response Time (T<sub>90</sub>)</b>	< 10 seconds
<b>Typical Baseline Offset (clean air)</b>	-1 to +1 ppm equivalent
<b>Maximum Zero Shift (+20°C to +40°C)</b>	2 ppm equivalent
<b>Repeatability</b>	2% of signal
<b>Linearity</b>	Linear

#### ELECTRICAL

<b>Recommended Load Resistor</b>	10 Ω
<b>Bias Voltage</b>	+300 mV
<b>Recommended Gain</b>	1.1

#### MECHANICAL

<b>Weight</b>	21 g (nominal)
<b>Housing Material</b>	20% glass-filled polypropylene
<b>Colour Coded Ring</b>	Orange
<b>Orientation</b>	Any

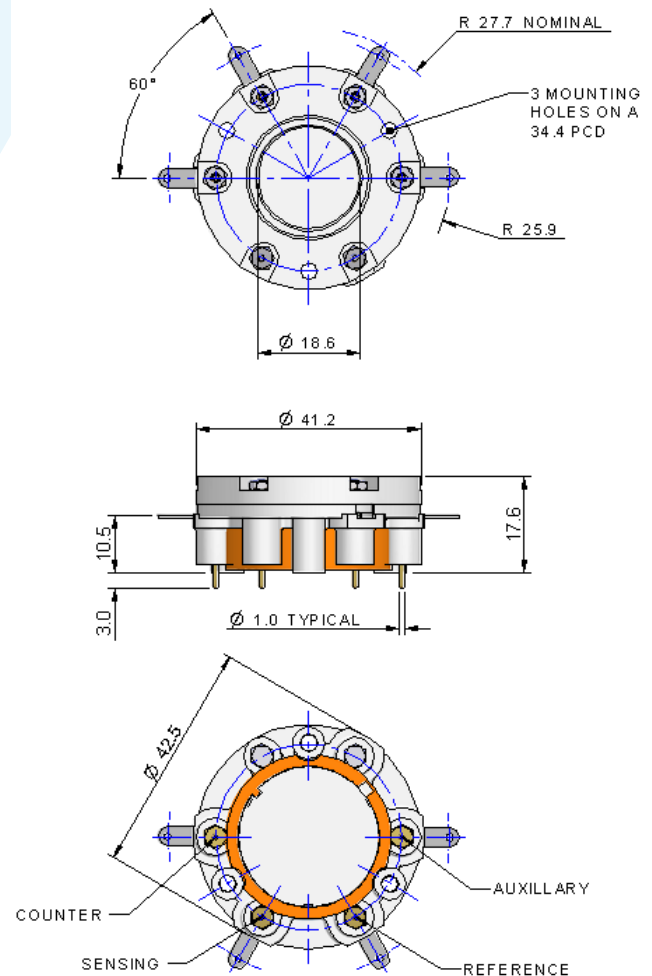
#### ENVIRONMENTAL

<b>Typical Applications</b>	Inhaled Nitric Oxide Therapy
<b>Operating Temperature Range</b>	-20°C to +50°C
<b>Recommended Storage Temp</b>	0°C to +20°C
<b>Operating Pressure Range</b>	800 - 1200 mBar
<b>Differential Pressure Range</b>	±100 mBar
<b>Storage Pressure Range</b>	800 - 1200 mBar
<b>Operating Humidity Range</b>	15% to 90% RH non-condensing

#### LIFETIME

<b>Long Term Output Drift</b>	Depends on usage level
<b>Expected Operating Life</b>	1 year

### Product Dimensions



All dimensions in mm  
All tolerances ±0.15 mm unless otherwise stated

**IMPORTANT NOTE:** Connection should be made via PCB sockets only. Soldering to the pins will seriously damage your sensor.

\* Specifications are valid at 20°C, 50% RH and 1013 mBar, using City Technology recommended circuitry. Performance characteristics outline the performance of sensors supplied within the first 3 months. Output signal can drift below the lower limit over time.

## Product Data Sheet

### Continuous Exposure

After continuous exposure to high concentrations of NO for several days the sensor may take some time to stabilise in fresh air before further use is advised. During this recovery period high baseline offsets may be seen. City Technology recommend 24 hours recovery period before reuse following exposures which exceed 4 days at levels of 80 ppm or above.

### Poisoning

CiTiceLs are designed for operation in a wide range of environments and harsh conditions. However, it is important that exposure to high concentrations of solvent vapours is avoided, both during storage, fitting into instruments and operation.

When using sensors with printed circuit boards (PCBs), degreasing agents should be used before the sensor is fitted. Do not glue directly on or near the CiTiceL as the solvent may cause crazing of the plastic.

### Cross Sensitivity Table

Whilst CiTiceLs are designed to be highly specific to the gas they are intended to measure, they will still respond to some degree to various other gases. The table below is not exclusive and other gases not included in the table may still cause a sensor to react.

**IMPORTANT NOTE : The cross sensitivity data shown below does not form part of the product specification and is supplied for guidance only. Values quoted are based on tests conducted on a small number of sensors and any batch may show significant variation. For the most accurate measurements, an instrument should be calibrated using the gas under investigation.**

<u>Gas</u>	<u>Response</u>
Carbon Monoxide (CO)	None
Nitrous Oxide (N <sub>2</sub> O)	None
Nitrogen Dioxide (NO <sub>2</sub> )	<25%
Desflurane	None
Isoflurane	None
Halothane	None

#### **SAFETY NOTE**

This sensor is designed to be used in safety critical applications. To ensure that the sensor and/or instrument in which it is used, are operating properly, it is a requirement that the function of the device is confirmed by exposure to target gas (bump check) before each use of the sensor and/or instrument. Failure to carry out such tests may jeopardize the safety of people and property.

Every effort has been made to ensure the accuracy of this document at the time of printing. In accordance with the company's policy of continued product improvement City Technology Limited reserves the right to make product changes without notice. The products are always subject to a programme of improvement and testing which may result in some changes in the characteristics quoted. As the products may be used by the client in circumstances beyond the knowledge and control of City Technology Limited, we cannot give any warranty as to the relevance of these particulars to an application. It is the clients' responsibility to carry out the necessary tests to determine the usefulness of the products and to ensure their safety of operation in a particular application.