

Product Data Sheet

Product Datasheet

2CF3 Carbon Monoxide CiTiceL[®]

Document Purpose

The purpose of this document is to present the performance specification of the 2CF3 Carbon Monoxide sensor.

This document should be used in conjunction with the Operating Principles (OP08) and the Product Safety Datasheet (PSDS 12).

The data provided in this document are valid at 20°C, 50% RH and 1013 mBar for 3 months from the date of sensor manufacture.

Output signal can drift below the lower limit over time. For guidance on the safe use of the sensor, please refer to the Operating Principles OP08.

Product Data Sheet

Key Features & Benefits:

- Low Hydrogen Cross Sensitivity
- Industry leading reliability
- Improved performance variability

Technical Specifications

MEASUREMENT

Operating Principle	Electrochemical
Measurement Range	0-500 ppm CO
Maximum Overload	1000 ppm CO
Filter	To remove SO ₂ and H ₂ S
Sensitivity*	50 ± 20 nA/ppm
Response Time (T₉₀)*	< 17 Seconds
Baseline Offset (clean air)*	-1 to +3 ppm equivalent
Zero Shift (+20°C to +40°C)	< 9 ppm equivalent
Repeatability	< 3% of signal
Linearity	Linear

ELECTRICAL

Recommended Load Resistor	10 Ω
Bias Voltage	Not required
Resolution	Dependent on electronics. (1 ppm when using recommended electronics)

MECHANICAL

Housing Material	ABS
Weight	Approx. 5 g
Orientation	Any

ENVIRONMENTAL

Typical Applications	Smoking Cessation
Operating Temperature Range:	-20°C to +50°C
Recommended Storage Temp	0 - 20°C
Operating Pressure Range	1 atm ± 10%
Operating Humidity Range	15% to 90%RH non-condensing. Extended exposure to extreme humidity conditions will degrade sensor performance.

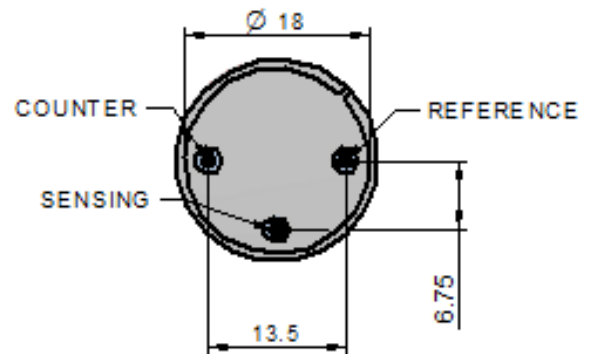
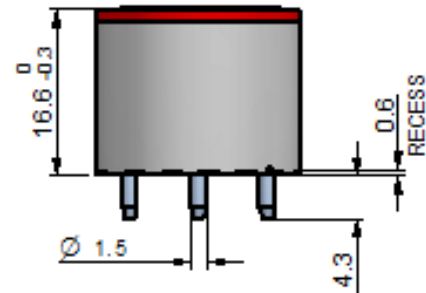
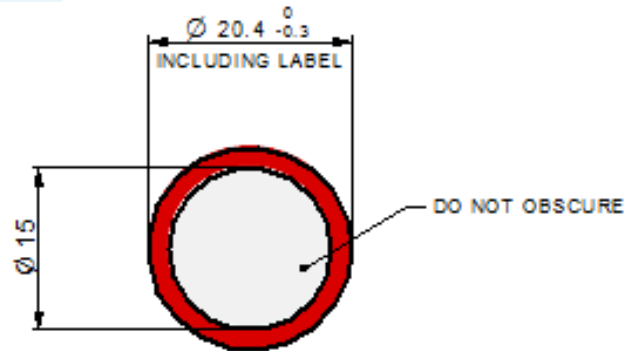
INTRINSIC SAFETY DATA

Maximum current at 150 ppm	0.1 mA
Maximum o/c Voltage	< 0.75 V
Maximum s/c Current	< 1.0 A

LIFETIME

Long Term Output Drift*	< 10% per annum
Expected Operating Life	2 years in clean air
Storage Life	6 months in original packaging

Product Dimensions



All dimensions in mm
All tolerances ±0.15 mm
unless otherwise stated

* Specifications are valid at 20°C, 50% RH and 1013 mBar, using City Technology recommended circuitry. Performance characteristics outline the performance of sensors supplied within the first 3 months. Output signal can drift below the lower limit over time.

Product Data Sheet

Poisoning

CiTiceLs are designed for operation in a wide range of environments and harsh conditions. However, it is important that exposure to high concentrations of solvent vapours is avoided, both during storage, fitting into instruments, and operation.

When using sensors with printed circuit boards (PCBs), degreasing agents should be used before the sensor is fitted. Do not glue directly on or near the CiTiceL as the solvent may cause crazing of the plastic.

Cross Sensitivity Table

Whilst CiTiceLs are designed to be highly specific to the gas they are intended to measure, they will still respond to some degree to various other gases. The table below is not exclusive and other gases not included in the table may still cause a sensor to react.

IMPORTANT NOTE : The cross sensitivity data shown below does not form part of the product specification and is supplied for guidance only. Values quoted are based on tests conducted on a small number of sensors and any batch may show significant variation. For the most accurate measurements, an instrument should be calibrated using the gas under investigation.

Gas	Formula	Concentration Used (ppm)	Reading (ppm CO)
Hydrogen Sulfide	H ₂ S	15	-0.5 < x\$ < +0.5
Sulfur Dioxide	SO ₂	5	0
Nitrogen Dioxide	NO ₂	5	<0.5
Hydrogen	H ₂	100	-5 < x\$ < +5
Nitric Oxide	NO	35	12
Ethene	C ₂ H ₄	100	60

SAFETY NOTE

This sensor is designed to be used in safety critical applications. To ensure that the sensor and/or instrument in which it is used, are operating properly, it is a requirement that the function of the device is confirmed by exposure to target gas (bump check) before each use of the sensor and/or instrument. Failure to carry out such tests may jeopardize the safety of people and property.

Every effort has been made to ensure the accuracy of this document at the time of printing. In accordance with the company's policy of continued product improvement City Technology Limited reserves the right to make product changes without notice. The products are always subject to a programme of improvement and testing which may result in some changes in the characteristics quoted. As the products may be used by the client in circumstances beyond the knowledge and control of City Technology Limited, we cannot give any warranty as to the relevance of these particulars to an application. It is the clients' responsibility to carry out the necessary tests to determine the usefulness of the products and to ensure their safety of operation in a particular application.