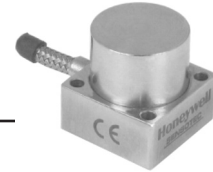


Models MA331 and MA332

Accelerometer



DESCRIPTION

The MA331/332 Series accelerometers are designed to be used in Industrial test and automation environments including laboratory testing, modal studies and test cells in application requiring a frequency response down to 0 Hz. The MA331/332 Series accelerometers come in different styles. This mV output version is for applications where strain gage signal conditioning is

likely to be used to condition the signal. The Model MA331/332 Series can also be supplied in a number of different frequency ranges and sensitivities to suit the application. The stainless steel materials are non-magnetic resulting in very low magnetic field susceptibility. These features, together with a sealed body, assure accurate and reliable data.

FEATURES

- dc response
- mV/V output
- For use with strain gage amps
- Stainless steel overbraided PTFE cable

Models MA331 and MA332

PERFORMANCE SPECIFICATIONS

Characteristic	Measure
Output	15 mV to 75 mV full scale
Transverse sensitivity	Less than 5 %
Temperature sensitivity	0.145/°F
Frequency range	Dependent on dynamic range ± 5 % (see below)
± 1 G and ± 2 G	dc to 250 Hz
± 5 G	dc to 300 Hz
± 10 G	dc to 500 Hz
± 20 G	dc to 700 Hz
± 50 G	dc to 1 kHz
Amplitude linearity	Better than 1 % linearity
Mounted base resonance	18 kHz
Acceleration limits	x20 of dynamic range

ENVIRONMENTAL SPECIFICATIONS

Characteristic	Measure
Temperature, operating	-18 °C to 82 °C [0 °F to 180 °F]
Sealing	IP65/NEMA 2

ELECTRICAL SPECIFICATIONS

Characteristic	Measure
Input	Voltage
Supply voltage	5 V @ 7 mA
Output impedance	3000 ohm
Cable	Stainless steel overbraided PTFE
Standard cable length	4,9 m [16 ft]
Electrical noise	10 mG
Isolation	Base isolated

MECHANICAL SPECIFICATIONS

Characteristic	Measure
Weight	0,04 kg [1.4 oz]
Case material	Stainless steel

RANGE CODES

Range Code	Range
GE	1 G
GF	2 G
GJ	5 G
GK	10 G
GL	20 G
GN	50 G

WIRING CODES

Wire	
Red	(+) Supply
Blue	(-) Supply
Yellow	(+) Output
Green	(-) Output
Shield	Not connected

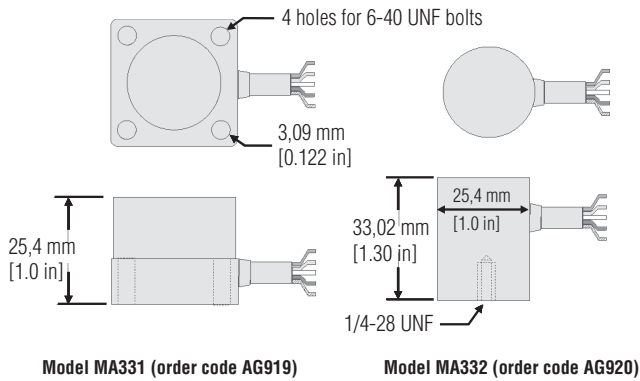
OPTION CODES

	Many range/option combinations are available in our quick-ship and fast-track manufacture programs. Please see http://sensing.honeywell.com/TMsensor-ship for updated listings.
Dynamic range	1 G, 2 G, 5 G, 10 G, 20 G, 50 G
Electrical termination	Cable length (specify at time of ordering)
Mounting arrangement	17b. 1/4-28 UNF 17c. Quickfit female 10-32 UNF female

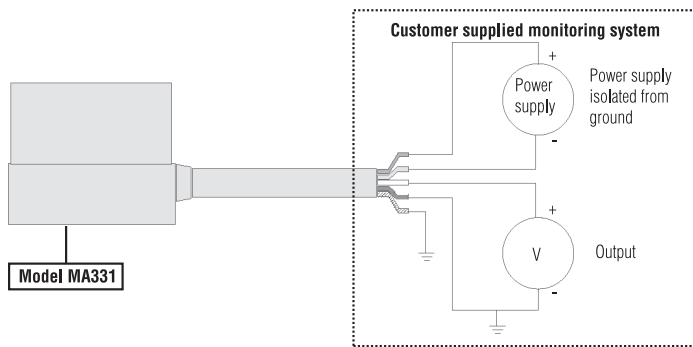
Models MA331 and MA332

Accelerometer

MOUNTING DIMENSIONS



TYPICAL SYSTEM DIAGRAM



Find out more

Honeywell serves its customers through a worldwide network of sales offices, representatives and distributors. For application assistance, current specifications, pricing or name of the nearest Authorized Distributor, contact your local sales office. To learn more about Honeywell's test and measurement products, call **+1-614-850-5000**, visit **www.honeywell.com/sensotec**, or e-mail inquiries to **info.tm@honeywell.com**

Sensing and Control
Honeywell
1985 Douglas Drive North
Golden Valley, MN 55422
www.honeywell.com

Warranty. Honeywell warrants goods of its manufacture as being free of defective materials and faulty workmanship. Honeywell's standard product warranty applies unless agreed to otherwise by Honeywell in writing; please refer to your order acknowledgement or consult your local sales office for specific warranty details. If warranted goods are returned to Honeywell during the period of coverage, Honeywell will repair or replace, at its option, without charge those items it finds defective. **The foregoing is buyer's sole remedy and is in lieu of all warranties, expressed or implied, including those of merchantability and fitness for a particular purpose. In no event shall Honeywell be liable for consequential, special, or indirect damages.**

While we provide application assistance personally, through our literature and the Honeywell web site, it is up to the customer to determine the suitability of the product in the application.

Specifications may change without notice. The information we supply is believed to be accurate and reliable as of this printing. However, we assume no responsibility for its use.

⚠ WARNING **PERSONAL INJURY**

- DO NOT USE these products as safety or emergency stop devices or in any other application where failure of the product could result in personal injury.

Failure to comply with these instructions could result in death or serious injury.

⚠ WARNING **MISUSE OF DOCUMENTATION**

- The information presented in this datasheet is for reference only. DO NOT USE this document as product installation information.
- Complete installation, operation and maintenance information is provided in the instructions supplied with each product.

Failure to comply with these instructions could result in death or serious injury.