

## Model 911FMD

### Mid Range Wet/Wet Differential Pressure Transducer



#### DESCRIPTION

The two-wire Model 911FMD transmitter has stainless steel diaphragms for use with liquid, gas, or vapors in hazardous environments. These transducers are corrosion and shock resistant, as well as reverse polarity protected. The two-wire, 4 mA to 20

mA current output permits long cable runs with a high signal-to-noise ratio. This model is constructed with stainless steel, sealed hermetically.

#### FEATURES

- 0.25 % accuracy
- 50 psid to 750 psid
- 4 mA to 20 mA two-wire (standard)

# Model 911FMD

## PERFORMANCE SPECIFICATIONS

Characteristic	Measure
Pressure ranges	50, 75, 100, 150, 200, 300, 500, 750 psid
Accuracy	±0.25 % full scale
Linearity	±0.15 % full scale (typical)
Hysteresis	±0.10 % full scale (typical)
Non-repeatability	±0.05 % full scale (typical)
Output (standard)	4 mA to 20 mA
Line pressure	1500 psi
Resolution	Infinite

## ENVIRONMENTAL SPECIFICATIONS

Characteristic	Measure
Temperature, operating	18 °C to 82 °C [0 °F to 180 °F]
Temperature, compensated	16 °C to 71 °C [60 °F to 160 °F]
Temperature, effect, zero	±1.2 % full scale/38 °C [100 °F]
Temperature, effect, span	±1.2 % reading/38 °C [100 °F]

## ELECTRICAL SPECIFICATIONS

Characteristic	Measure
Strain gage type	Bonded foil
Excitation (calibration)	15 Vdc to 50 Vdc
Shunt calibration data	Included
Elec. termination (std)	22 GA cable with case ground 609,6 mm [2 ft], 1/2-14NPT

## MECHANICAL SPECIFICATIONS

Characteristic	Measure
Media	Gas, liquid
Overload-safe (either side)	1500 psi
Pressure port	1/8-27 NPT female
Wetted parts material	17-4 PH stainless steel
Case material	Stainless steel

## RANGE CODES

Range Code	Available ranges	Range Code	Available ranges
<b>BN</b>	50 psid	<b>CL</b>	200 psid
<b>BP</b>	75 psid	<b>CP</b>	300 psid
<b>BR</b>	100 psid	<b>CR</b>	500 psid
<b>CJ</b>	150 psid	<b>CT</b>	750 psid

## OPTION CODES

	<b>Many range/option combinations are available in our quick-ship and fast-track manufacture programs. Please see <a href="http://measurementsensors.honeywell.com">http://measurementsensors.honeywell.com</a> for updated listings.</b>
<b>Pressure ranges (psid)</b>	50, 75, 100, 150, 200, 300, 500, 750
<b>Temperature compensation</b>	1b. 60 °F to 160 °F
<b>Internal amplifiers</b>	2k. 4 mA to 20 mA (two-wire)
<b>Pressure ports</b>	5h. 1/8-27 NPT female (2)
<b>Electrical termination</b>	6j. 22 GA cable with case ground 609,6 mm [2 ft], 1/2 NPT to 14 NPT
<b>Special calibration</b>	9a. 10 point (5 up/5 down) 20% increments @ 20 °C [68 °F] 9b. 20 point (10 up/10 down) 10% increments @ 20 °C [68 °F]
<b>Wetted diaphragm</b>	17-4 PH stainless steel

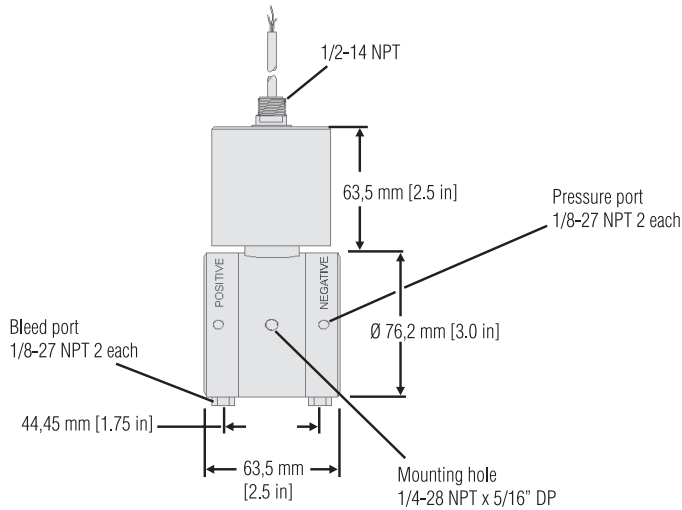
## WIRING CODES

CABLE/TWO-WIRE CURRENT/ 4 MA TO 20 MA	
<b>Red</b>	(+) supply
<b>Black</b>	(+) output (4 mA to 20 mA)
<b>White</b>	Case ground

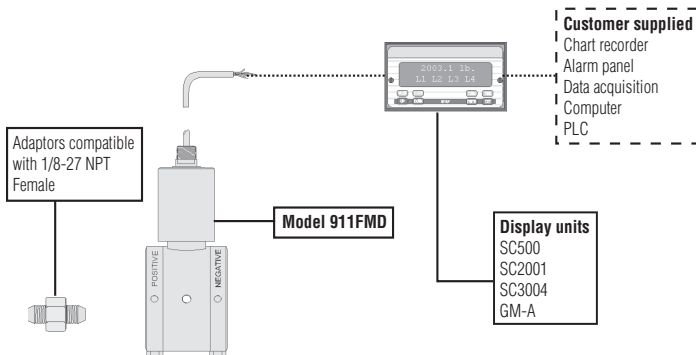
# Model 911FMD

# Mid Range Wet/Wet Differential Pressure Transducer

## MOUNTING DIMENSIONS AND CHARACTERISTICS



## TYPICAL SYSTEM DIAGRAM



### Find out more

Honeywell serves its customers through a worldwide network of sales offices, representatives and distributors. For application assistance, current specifications, pricing or name of the nearest Authorized Distributor, contact your local sales office.

To learn more about Honeywell's test and measurement products, call **+1-614-850-5000**, visit <http://measurementsensors.honeywell.com>, or e-mail inquiries to [info.tm@honeywell.com](mailto:info.tm@honeywell.com)

**Warranty.** Honeywell warrants goods of its manufacture as being free of defective materials and faulty workmanship. Honeywell's standard product warranty applies unless agreed to otherwise by Honeywell in writing; please refer to your order acknowledgement or consult your local sales office for specific warranty details. If warranted goods are returned to Honeywell during the period of coverage, Honeywell will repair or replace, at its option, without charge those items it finds defective. **The foregoing is buyer's sole remedy and is in lieu of all warranties, expressed or implied, including those of merchantability and fitness for a particular purpose. In no event shall Honeywell be liable for consequential, special, or indirect damages.**

While we provide application assistance personally, through our literature and the Honeywell web site, it is up to the customer to determine the suitability of the product in the application.

Specifications may change without notice. The information we supply is believed to be accurate and reliable as of this printing. However, we assume no responsibility for its use.

### **WARNING** PERSONAL INJURY

- DO NOT USE these products as safety or emergency stop devices or in any other application where failure of the product could result in personal injury.

**Failure to comply with these instructions could result in death or serious injury.**

### **WARNING** MISUSE OF DOCUMENTATION

- The information presented in this datasheet is for reference only. DO NOT USE this document as product installation information.
- Complete installation, operation and maintenance information is provided in the instructions supplied with each product.

**Failure to comply with these instructions could result in death or serious injury.**