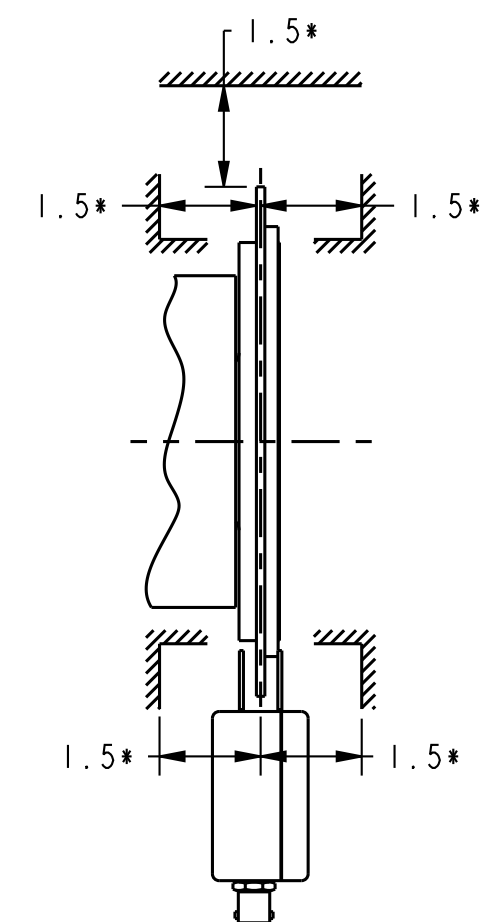
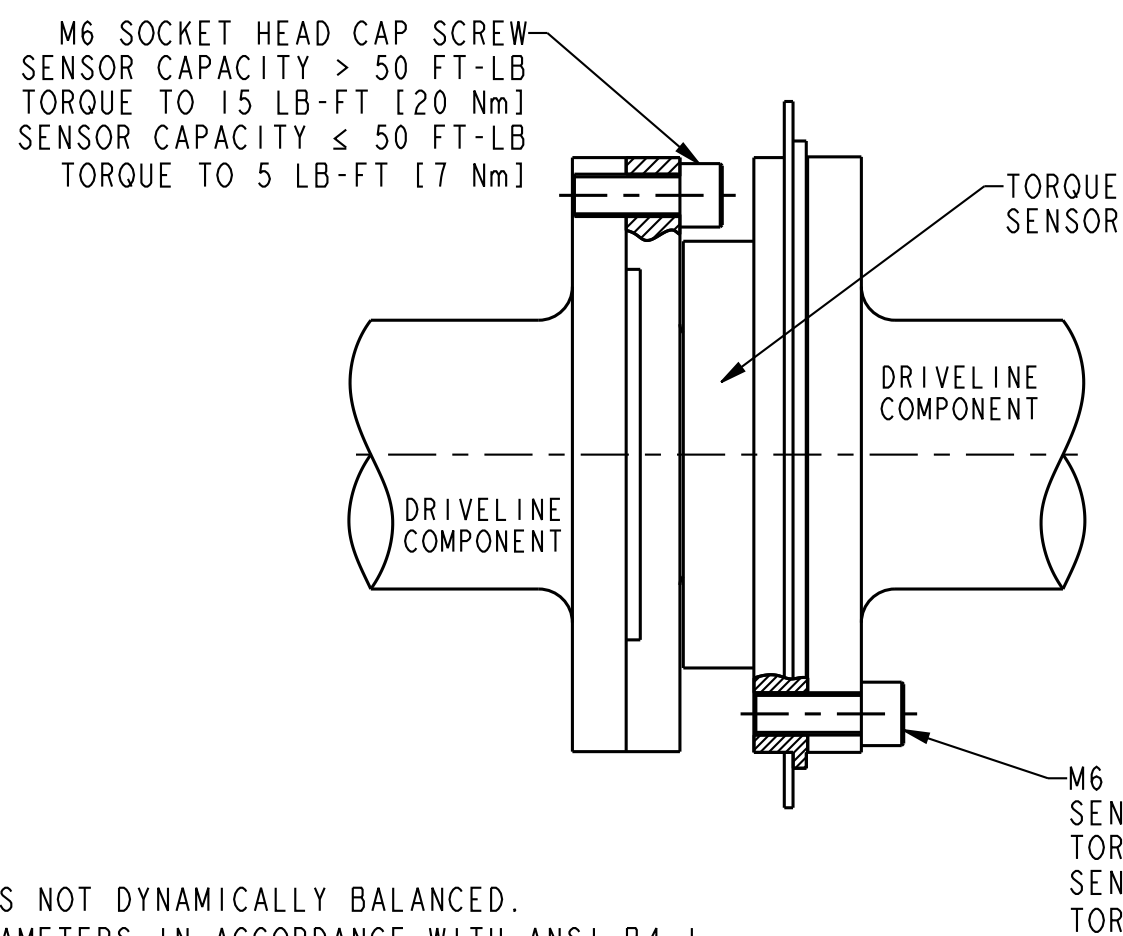
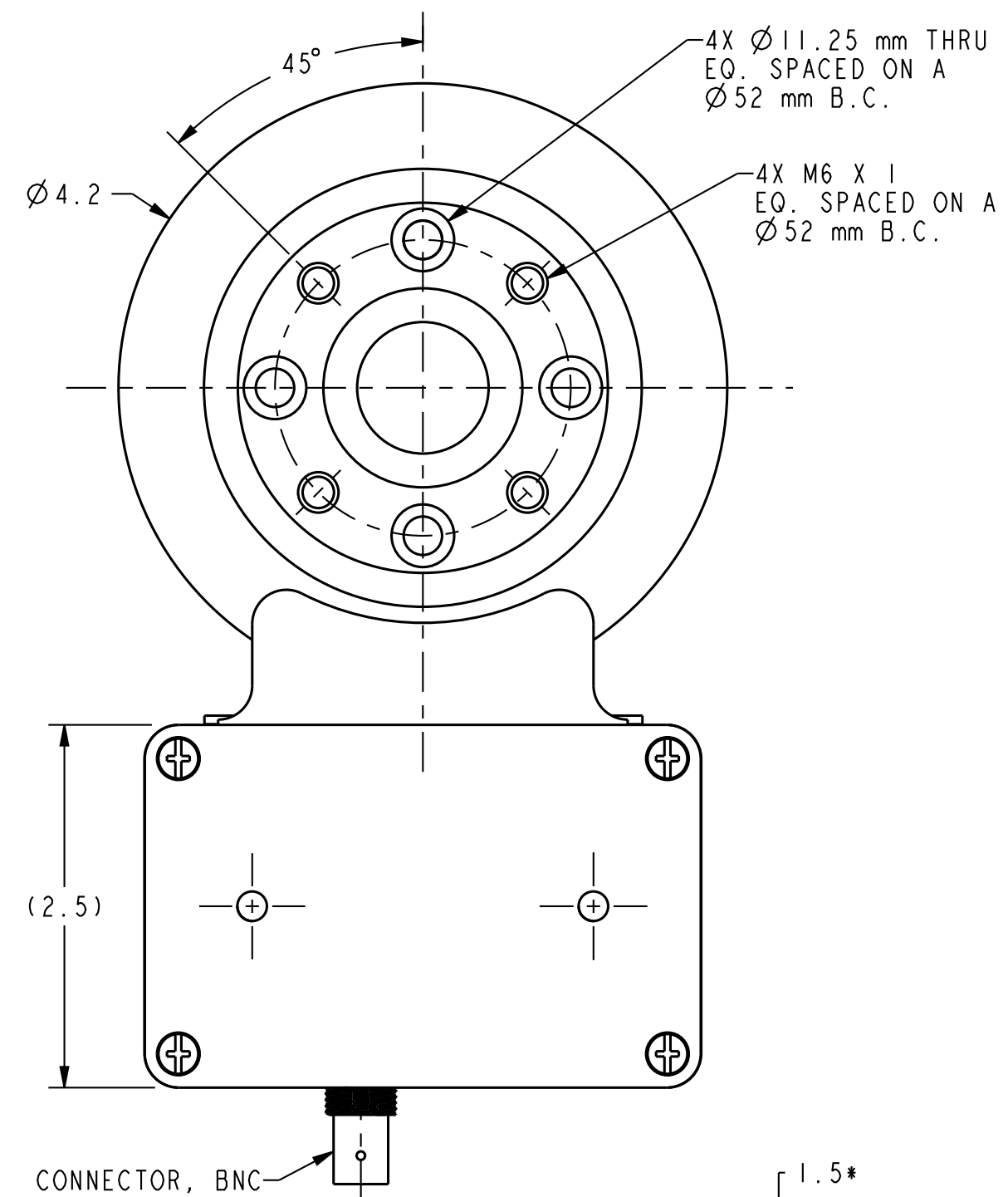
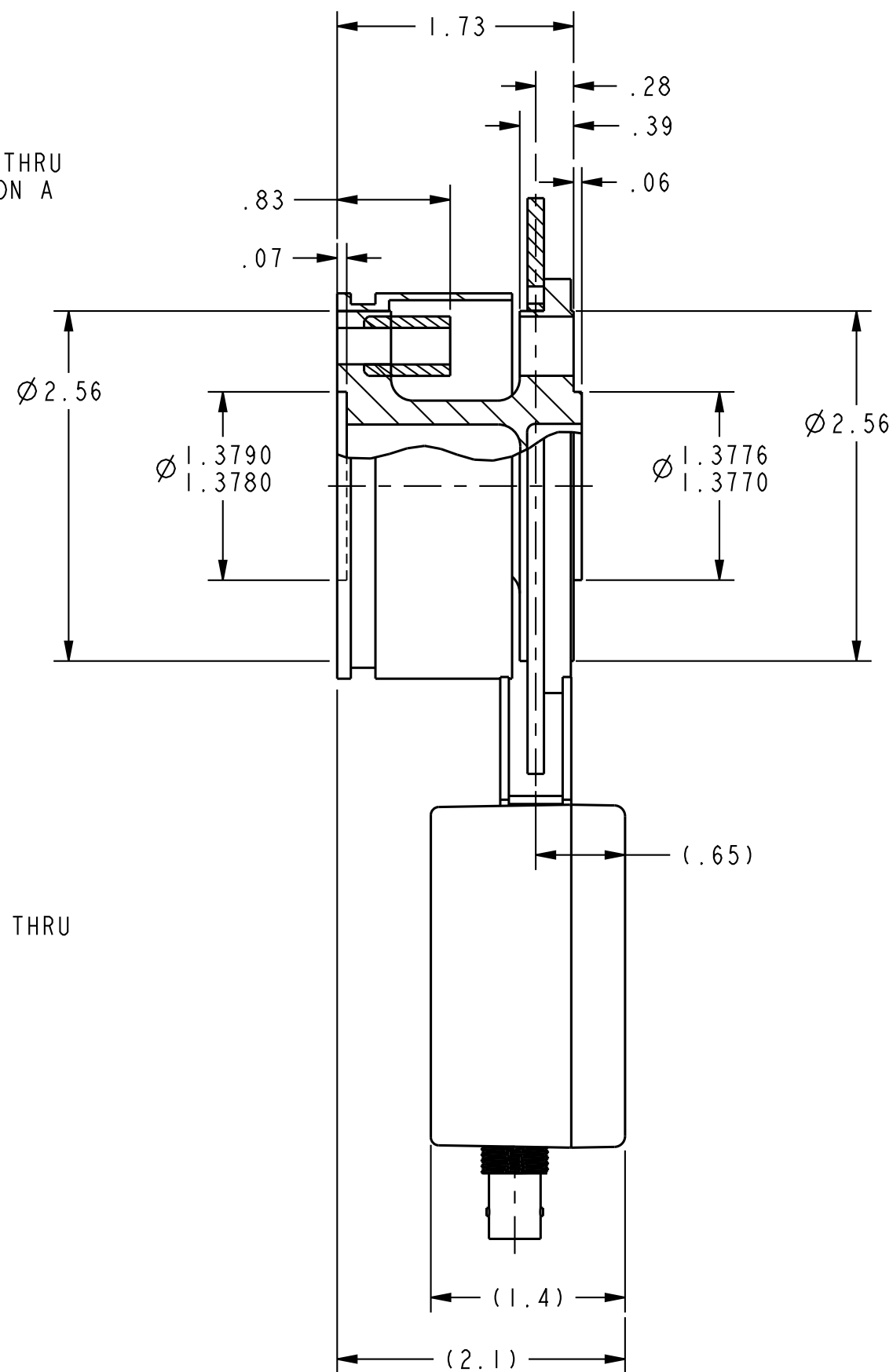
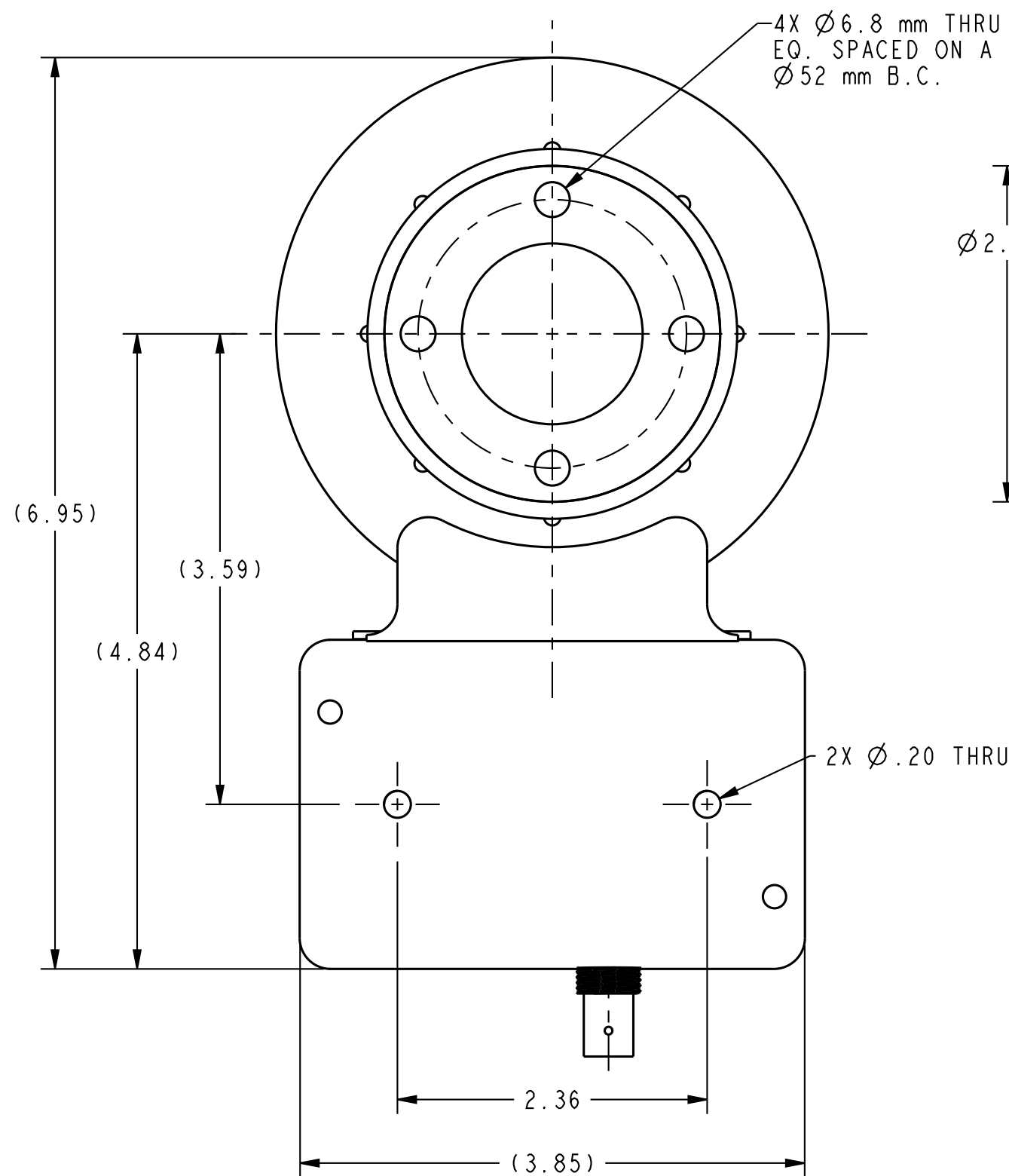


HONEYWELL PART NUMBER
-

REV	DOCUMENT	CHANGED BY	CHECK
A	0079416	MH 14MAR11	VSY



* KEEP AREA INDICATED
FREE OF METAL PARTS
SEE NOTES #4 & 5

- NOTES
- 1 - SENSOR IS NOT DYNAMICALLY BALANCED.
 - 2 - PILOT DIAMETERS IN ACCORDANCE WITH ANSI B4.1
(ANSI STANDARD FOR LIMITS & FITS)
 - 3 - USE THREAD LOCKING COMPOUND AN ALL THREADS.

DESIGN UNITS: INCH		DRAWN	DN	02DEC10
TOLERANCES UNLESS NOTED:		CHECK	VSY	02DEC10
NO PLACES	x ±	THIS DRAWING COVERS A PROPRIETARY ITEM AND IS THE PROPERTY OF HONEYWELL. THIS DRAWING IS NOT TO BE COPIED OR USED WITHOUT THE PERMISSION OF HONEYWELL.		
ONE PLACE	.x ±	INTERPRET PER ASME Y14.5M-1994 OTHER HONEYWELL ENGINEERING STANDARDS MAY APPLY		
TWO PLACE	.xx ±	Pro/ENGINEER 3D		
THREE PLACE	.xxx ±	SCALE 1:1		
ANGLES	x ±	SHEET 1 OF 1		
THIRD ANGLE PROJECTION				

DRAWN		DN	02DEC10
CHECK		VSY	02DEC10
TITLE			
OD DRAWING, MODEL 92511			
SIZE	TYPE	CAGE CODE	DRAWING NAME
C	I	-	000-LW92511
REV			A

Honeywell			
TITLE			
OD DRAWING, MODEL 92511			
SIZE	TYPE	CAGE CODE	DRAWING NAME
C	I	-	000-LW92511
REV			A
SCALE			1:1
SHEET			1 OF 1