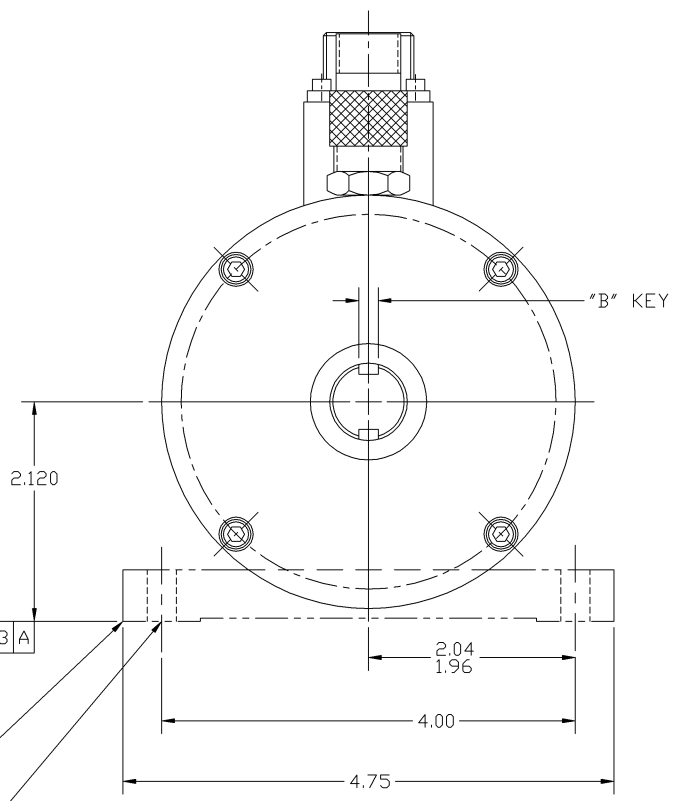
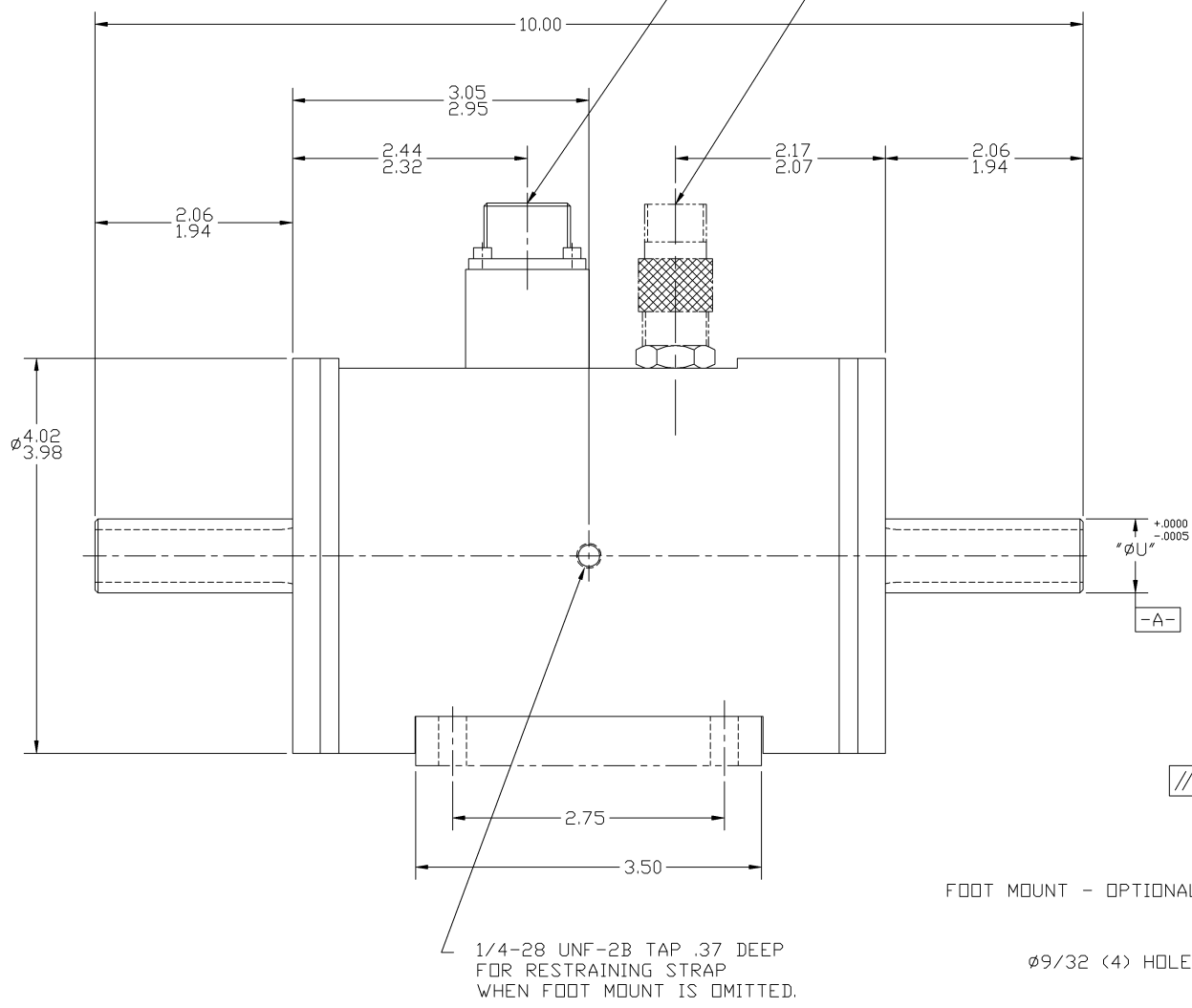


RECEPTACLE: MS3102E-14S-5P
 MATING CONN. FURNISHED.

SPEED SENSOR - OPTIONAL



"NOTICE TO PERSONS RECEIVING THIS DRAWING AND/OR TECHNICAL INFORMATION"
 Lebow Products claims proprietary rights to the material disclosed hereon. This drawing and/or technical information is issued in confidence for engineering information only and may not be reproduced or used to manufacture anything shown or referred to hereon without direct written permission from Lebow Products to the user. This drawing and/or technical information is the property of Lebow Products and is loaned for mutual assistance, to be returned when its purpose has been served.

FOOT MOUNT - OPTIONAL

Ø9/32 (4) HOLES

1604-145	-----	1.000	1/4 SQ.	①
1604-136	200	1.0000	1/4 SQ.	
1604-2K	2000	1.0000	1/4 SQ.	
1604-1K	1000	1.0000	1/4 SQ.	
1604-500	500	1.0000	1/4 SQ.	
1604-200	200	.7500	3/16 SQ.	
1604-100	100	.7500	3/16 SQ.	
1604-50	50	.7500	3/16 SQ.	
MODEL	CAP. IN LB	"ØU"	"B" KEY	

DET. NO.	PART NO.	DESCRIPTION	REV'D.
Lebow Products		Lebow Products Troy, Michigan	
UNLESS OTHERWISE SPECIFIED LINEAR DIMENSIONS ARE IN INCHES ANGULAR DIMENSIONS ARE IN DEGREES DIMENSION LIMITS HELD AFTER PLATING REMOVE ALL BURRS & SHARP EDGES SURFACE FINISH 125 ✓			
TOLERANCES		DR. BY:	CHK'D. BY:
DRILLED HOLES +000 -007	TWO PLACE DECIMALS ± .005	THREE PLACE DECIMALS ± .005	ANGLES ± 0° 30'
SCALE: NONE	REF. DWG. C-19595	FRACTIONAL DIMENSIONS ± 1/64	MAT'L: NOTED
TITLE: O.D.		DATE: 4/25/72	MODEL: 1604
DRAWING NO. C-1604-D		ENGR. KA	REV.

ADDED	-14S TO CHART	DATE
REDRAWN	ON CAD	DATE
CF	APPV'D.	DATE
KB	CHG'D.	DATE
ECN	ECN NO.	DATE
P	SYM.	DATE

REVISIONS