

## Model 1228/1248

---

### Flange Drive Torque Sensor



#### DESCRIPTION

A line of flange-drive, rotary slip ring torque sensors primarily designed for a multitude of general test and measurement applications, such as drive line testing. Can be used to monitor start up, running, and stall torque levels. Capacity range from 2000 in-lb to 20000 in-lb.

#### FEATURES

- 2000 in-lb to 20000 in-lb capacity
- 0.15 % non-linearity and hysteresis
- Short drive length
- High stiffness for increased frequency response

# Model 1228/1248

## PERFORMANCE SPECIFICATIONS

Characteristic	Measure
Torque range 1228 1248	2000, 5000, 10000 lb-in 20000 lb-in
Non-linearity	±0.15 % of rated output
Hysteresis	±0.15 % of rated output
Repeatability	±0.05 % of rated output
Output @ rated capacity	±2 mV/V (nominal)

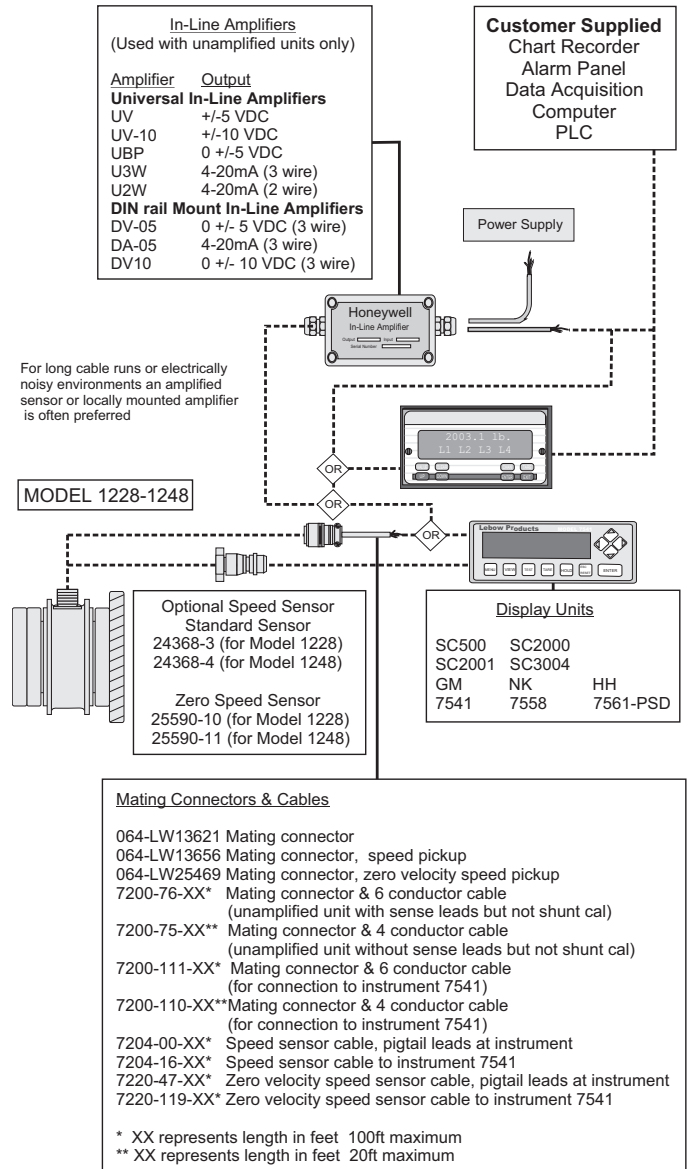
## ENVIRONMENTAL SPECIFICATIONS

Characteristic	Measure
Temperature, operating	-29 °C to 93 °C [-20 °F to 200 °F]
Temperature, compensated	21 °C to 77 °C [70 °F to 170 °F]
Temperature effect, zero	±0.002 % of rated output/°F
Temperature effect, output	±0.002 % of reading/°F

## ELECTRICAL SPECIFICATIONS

Characteristic	Measure
Excitation (maximum)	20 Vdc or Vac RMS
Insulation resistance	> 5000 mOhm @ 50 Vdc
Bridge resistance	350 ohm (nominal)
Number of bridges	1
Zero balance	±1.0 % of rated output
Electrical termination	MS3102E-14S-5P

## TYPICAL SYSTEM DIAGRAM



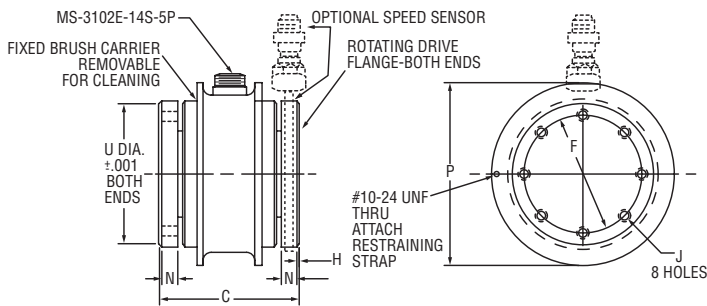
## Flange Drive Torque Sensor

### MECHANICAL SPECIFICATIONS

Model	lb-in	N-m	Max speed RPM	Overload capacity (% of nominal capacity)	Torsional stiffness lb-in/rad	Rotating inertia lb-in sec <sup>2</sup>	Weight (lb)
1228	2000	225	5000	150	1035000	$1.13 \times 10^{-2}$	8
1228	5000	565	5000	150	2141000	$1.14 \times 10^{-2}$	8
1228	10000	1130	5000	150	2820000	$1.19 \times 10^{-2}$	8
1248	20000	2250	5000	150	4657000	$4.02 \times 10^{-2}$	17

### MOUNTING DIMENSIONS

Model	C cm [in]	N cm [in]	P cm [in]	F cm [in]	J cm [in]	U cm [in]	H cm [in]	A cm [in]
1228	8,41 [3.31]	0,95 [0.38]	12,22 [4.81]	7,94 [3.13]	[1/4-28]	8,89 [3.50]	0,32 [0.13]	n/a
1248	10,95 [4.31]	1,43 [0.56]	14,30 [5.63]	9,21 [3.63]	[3/8-24]	10,80 [4.25]	0,79 [0.31]	n/a



For reference only

**Warranty.** Honeywell warrants goods of its manufacture as being free of defective materials and faulty workmanship. Honeywell's standard product warranty applies unless agreed to otherwise by Honeywell in writing; please refer to your order acknowledgement or consult your local sales office for specific warranty details. If warranted goods are returned to Honeywell during the period of coverage, Honeywell will repair or replace, at its option, without charge those items it finds defective. **The foregoing is buyer's sole remedy and is in lieu of all warranties, expressed or implied, including those of merchantability and fitness for a particular purpose. In no event shall Honeywell be liable for consequential, special, or indirect damages.**

While we provide application assistance personally, through our literature and the Honeywell web site, it is up to the customer to determine the suitability of the product in the application.

## **WARNING**

### **PERSONAL INJURY**

- DO NOT USE these products as safety or emergency stop devices or in any other application where failure of the product could result in personal injury.

**Failure to comply with these instructions could result in death or serious injury.**

## **WARNING**

### **MISUSE OF DOCUMENTATION**

- The information presented in this datasheet is for reference only. DO NOT USE this document as product installation information.
- Complete installation, operation and maintenance information is provided in the instructions supplied with each product.

**Failure to comply with these instructions could result in death or serious injury.**

### **Find out more**

Honeywell serves its customers through a worldwide network of sales offices, representatives and distributors. For application assistance, current specifications, pricing or name of the nearest Authorized Distributor, contact your local sales office. To learn more about Honeywell's test and measurement products, call **+1-614-850-5000**, visit **<http://measurementsensors.honeywell.com>**, or e-mail inquiries to **[info.tm@honeywell.com](mailto:info.tm@honeywell.com)**

Sensing and Control  
Honeywell  
1985 Douglas Drive North  
Golden Valley, MN 55422 USA  
**[honeywell.com](http://honeywell.com)**

# Honeywell