

MODEL NO	TORQUE-CAR	"A" DIA	OVERLOAD CAPACITY	C-1102-D
1102-50	50 IN OZ	.375	150 IN OZ	
1102-100	100 IN OZ	.375	300 IN OZ	
1102-200	200 IN OZ	"	600 IN OZ	
1102-500	500 IN OZ	"	1000 IN OZ	
1102-1000	1000 IN OZ	"	1500 IN OZ	

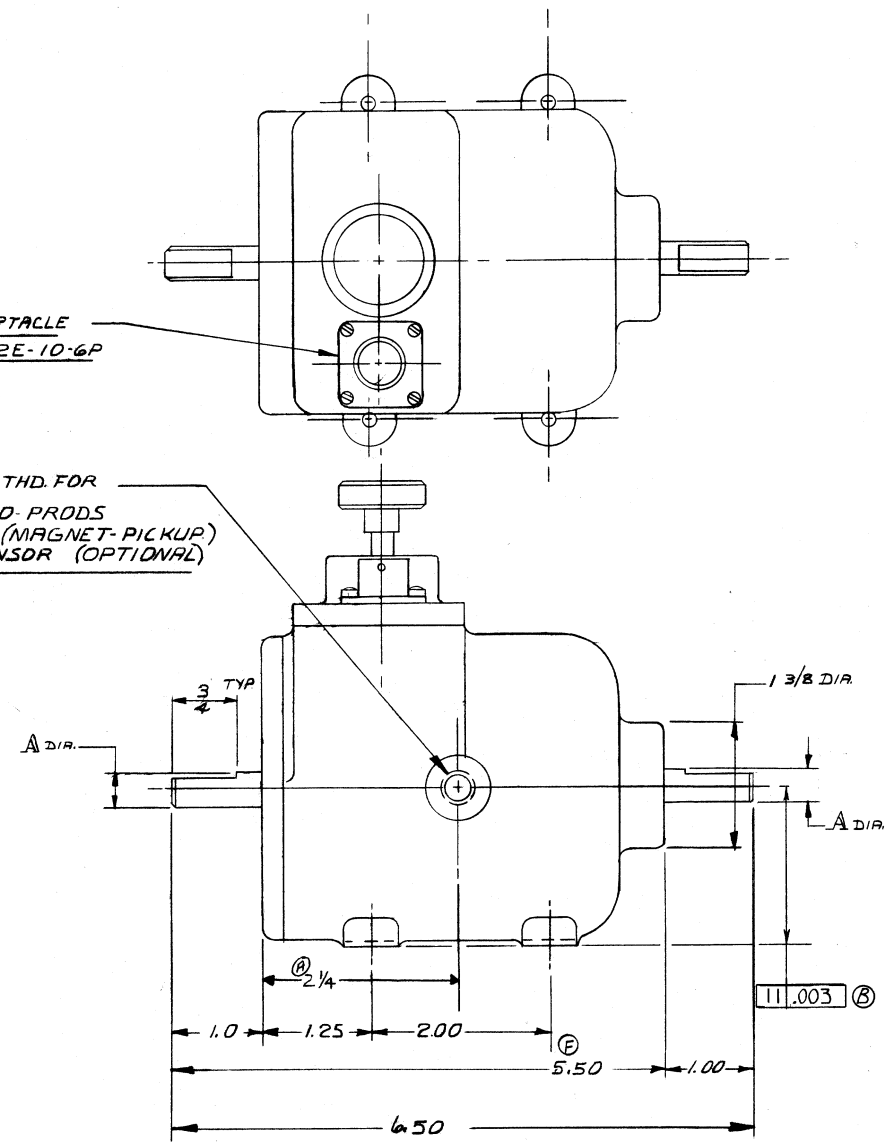
.250 DIA. SHAFT.
OPTIONAL

SPECIFICATIONS S-1102 (D)

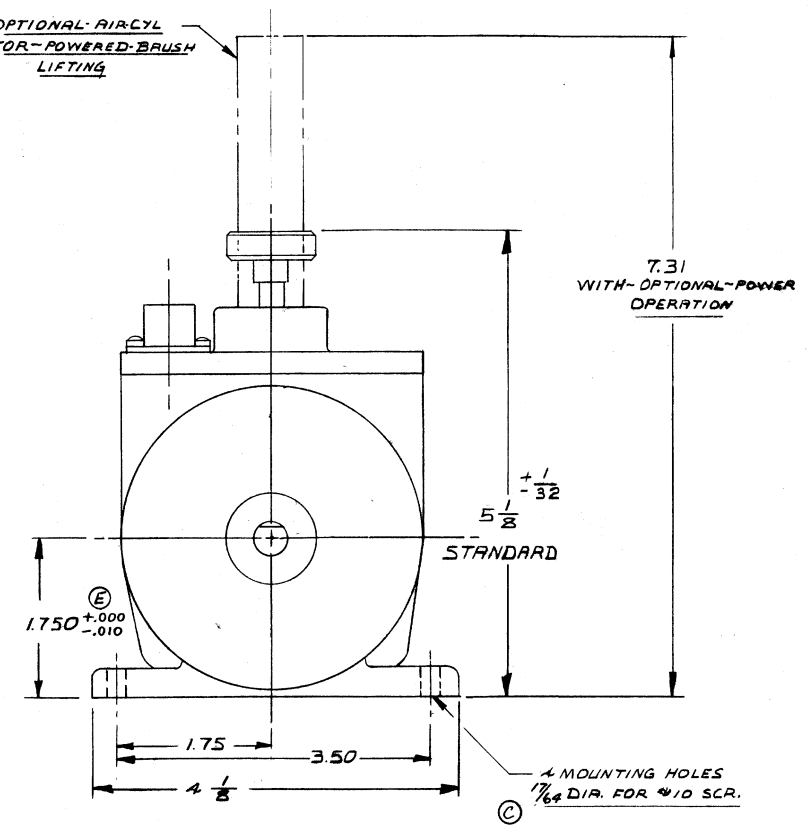
CAPACITY ~ SEE CHART.
OVERLOAD ~ MECH-OVERLOAD PROTECTION
SPEED ~ 20,000 RPM.
BRIDGE RESISTANCE ~ 350 OHMS
MAX-BRIDGE VOLTAGE ~ 20 VOLTS.
OUTPUT ~ VOLTAGE ~ 2 MV/VOLTS. NOMINAL.

RECEPTACLE
PTOZE-10-6P

$\frac{3}{8}$ - 24 NF THD. FOR
ELECTRO. PRODS
A-17934 (MAGNET-PICKUP)
SPEED-SENSOR (OPTIONAL)



OPTIONAL AIRCYL
FOR POWERED BRUSH
LIFTING



DET. NO	PART NO	DESCRIPTION	REQ'D
F	DIM. WAS 4.50	MINIATURE ~ TORQUE-PICK-UP	
E	ADDED TOLERANCE	FULLY ENCLOSED ~ BRUSH, LIFTERS	
D	ADDED PERM. SPEC.	SCALE: FULL	
C	WAS .20 ECN 3328	DATE: A-2-60	
B	ECN 2702	UNLESS OTHERWISE SPECIFIED:	
A	ADDED DIM.	TOLERANCE ON FRACTIONS ± 1/4	TOLERANCE ON DRILLED HOLES ± .007
Z	REDRAWN	TWO PLACE DECIMALS ± .010	REMOVE ALL BURRS & SHARP EDGES
SYM.	REVISION	THREE PLACE DECIMALS ± .005	DIMENSION LIMITS HELD AFTER PLATING
		ANGLES ± 0°30'	SURFACE FINISH 125
LEBOW ASSOCIATES, INC.			DRAWING NO. C-1102-D
TROY, MICHIGAN			

R1, S, P, R1