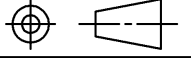
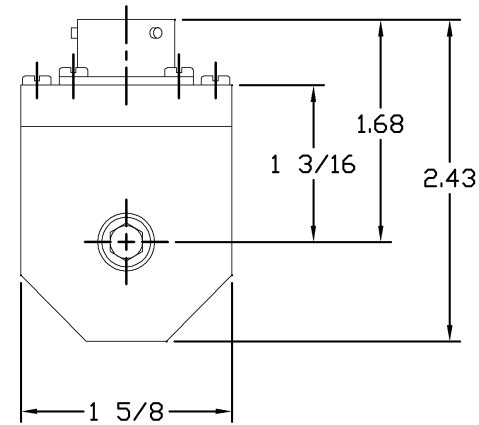
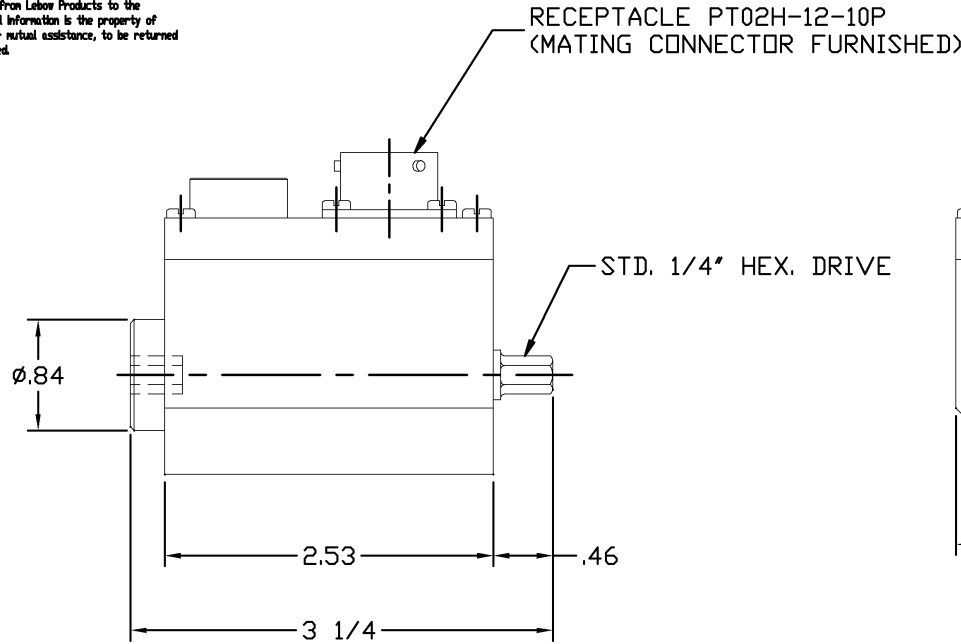


**\*NOTICE TO PERSONS RECEIVING THIS DRAWING AND/OR TECHNICAL INFORMATION\***  
 Lebow Products claims proprietary rights to the material disclosed herein. This drawing and/or technical information is issued in confidence for engineering information only and may not be reproduced or used to manufacture anything shown or referred to herein without direct written permission from Lebow Products to the user. This drawing and/or technical information is the property of Lebow Products and is loaned for mutual assistance, to be returned when its purpose has been served.

DO NOT SCALE DRAWING	B-35836 REV.
ALL CHANGES TO DRAWING MUST BE DONE ON CAD	 THIRD ANGLE PROJECTION



DET. NO.	PART NO.	DESCRIPTION	REQ'D.
		<b>Lebow Products</b> Lebow Products Troy, Michigan	
UNLESS OTHERWISE SPECIFIED LINEAR DIMENSIONS ARE IN INCHES      REMOVE ALL BURRS & ANGULAR DIMENSIONS ARE IN DEGREES      SHARP EDGES DIMENSION LIMITS HELD AFTER PLATING      SURFACE FINISH 125 ✓			
TOLERANCES			DR. BY: MGJ
DRILLED HOLES - .000 + .007	TWO PLACE DECIMALS ± .010	THREE PLACE DECIMALS ± .005	ENGR.
SCALE: NONE	REF. DWG. B-35835	ANGLES ± 0 '30'	DATE: 5/16/01
	FRACTIONAL DIMENSIONS ± 1/64	MAT'L. -----	DATE:
TITLE: O.D. DRAWING		MODEL: 1254-301	DATE:
		DRAWING NO. B-35836	REV.

ADDED BATTERY COVER	DESCRIPTION	REVISIONS
DATE	DATE	DATE
APPV'D.	APPV'D.	APPV'D.
MJ CHG'D.	CHG'D.	CHG'D.
ECN NO.	ECN NO.	ECN NO.
A SYM.	SYM.	SYM.