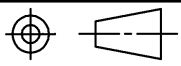
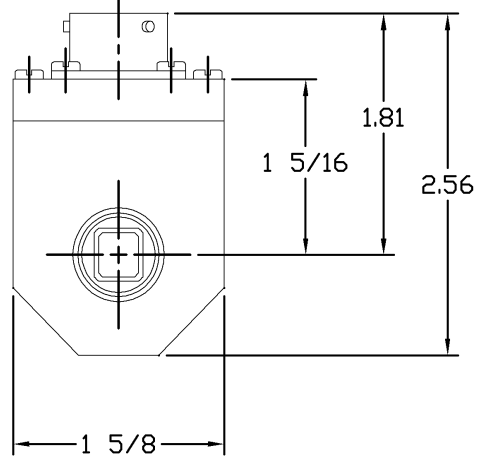
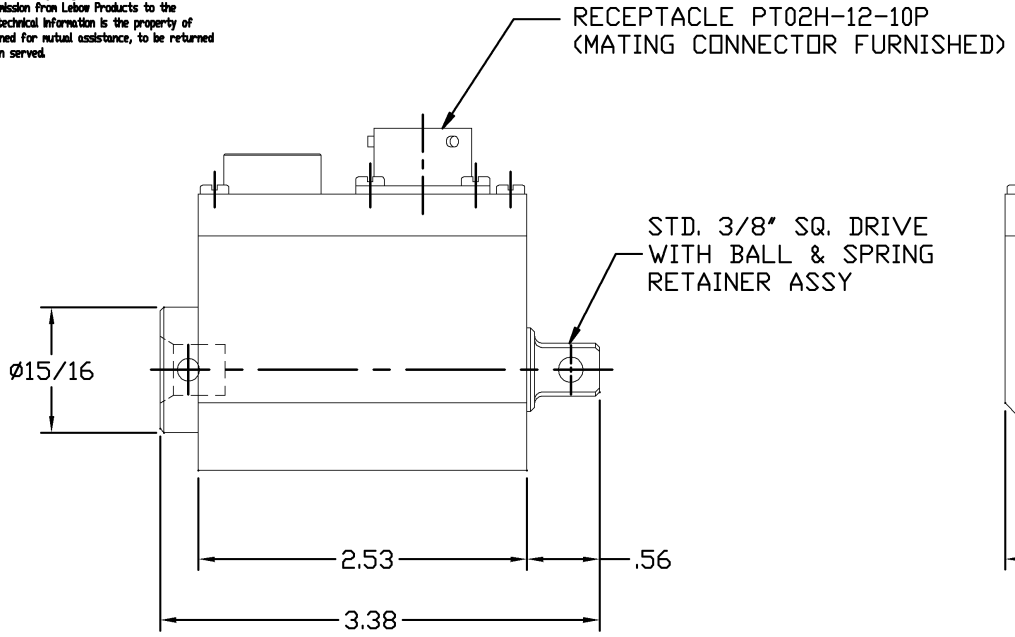


"NOTICE TO PERSONS RECEIVING THIS DRAWING AND/OR TECHNICAL INFORMATION"
 Lebow Products claims proprietary rights to the material disclosed hereon. This drawing and/or technical information is issued in confidence for engineering information only and may not be reproduced or used to manufacture anything shown or referred to hereon without direct written permission from Lebow Products to the user. This drawing and/or technical information is the property of Lebow Products and is loaned for mutual assistance, to be returned when its purpose has been served.

DO NOT SCALE DRAWING	B-35727	REV.
ALL CHANGES TO DRAWING MUST BE DONE ON CAD	 THIRD ANGLE PROJECTION	



		DET. NO.	PART NO.	DESCRIPTION	REQ'D.
				Lebow Products	Lebow Products Troy, Michigan
UNLESS OTHERWISE SPECIFIED LINEAR DIMENSIONS ARE IN INCHES ANGULAR DIMENSIONS ARE IN DEGREES DIMENSION LIMITS HELD AFTER PLATING					
REMOVE ALL BURRS & SHARP EDGES SURFACE FINISH 125 ✓					
TOLERANCES				DR. BY:	ENGR.
				MGJ	
DRILLED HOLES -000 +007	TWO PLACE DECIMALS ± .010	THREE PLACE DECIMALS ± .005	ANGLES ± 0 '30'	DATE:	DATE:
SCALE: NONE				5/16/01	
REF. DWG.	FRACTIONAL DIMENSIONS ± 1/64	MAT'L.	MODEL:		
B-35726		-----	1254-303		
TITLE:				DRAWING NO.	REV.
O.D. DRAWING				B-35727	

ADDED BATTERY COVER 5/16/01

REVISIONS

DESCRIPTION

DATE

APPV'D.

CHG'D.

ECN NO.

SYM.