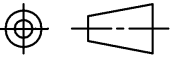
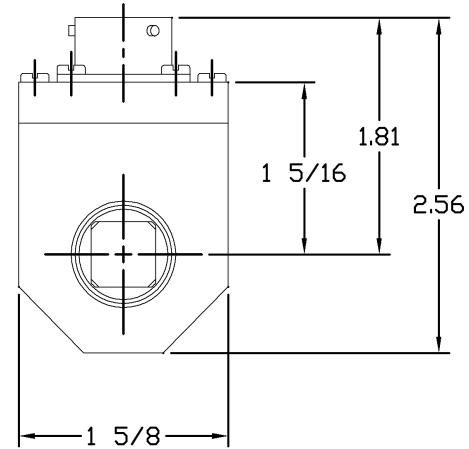
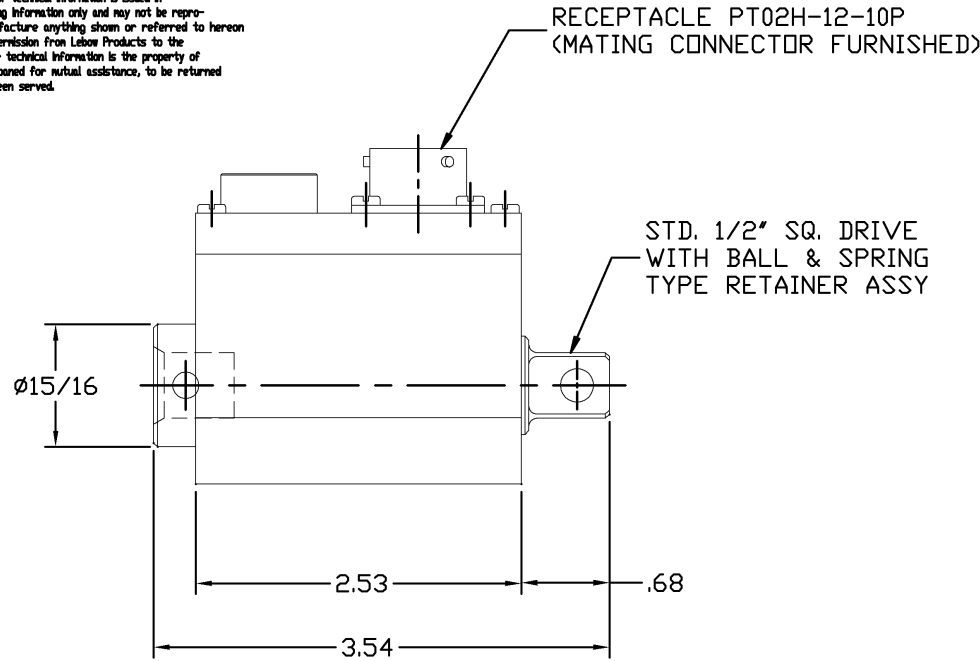


"NOTICE TO PERSONS RECEIVING THIS DRAWING AND/OR TECHNICAL INFORMATION"
 Lebow Products claims proprietary rights to the material disclosed hereon. This drawing and/or technical information is issued in confidence for engineering information only and may not be reproduced or used to manufacture anything shown or referred to hereon without direct written permission from Lebow Products to the user. This drawing and/or technical information is the property of Lebow Products and is loaned for mutual assistance, to be returned when its purpose has been served.

DO NOT SCALE DRAWING	B-35746	REV.
ALL CHANGES TO DRAWING MUST BE DONE ON CAD	 THIRD ANGLE PROJECTION	



DET. NO.		PART NO.		DESCRIPTION		REQ'D.
				Lebow Products		Lebow Products Troy, Michigan
UNLESS OTHERWISE SPECIFIED						
LINEAR DIMENSIONS ARE IN INCHES			REMOVE ALL BURRS & SHARP EDGES			
ANGULAR DIMENSIONS ARE IN DEGREES			DIMENSION LIMITS HELD AFTER PLATING			
			SURFACE FINISH 125 <input checked="" type="checkbox"/>			
TOLERANCES				DR. BY:	CHK'D. BY:	ENGR.
				MGJ		
DRILLED HOLES	TWO PLACE DECIMALS	THREE PLACE DECIMALS	ANGLES	DATE:	DATE:	DATE:
- .000 + .007	± .005	± .005	± 0 '30"	5/16/01		
SCALE:	REF. DWG.	FRACTIONAL DIMENSIONS	MAT'L.	MODEL:		
NONE	B-35745	± 1/64	-----	1254-305		
TITLE:				DRAWING NO.		REV.
O.D. DRAWING				B-35746		

ADDED	DESCRIPTION	REVISIONS
BATTERY COVER		
DATE		
APPV'D.		
CHG'D.		
ECN NO.		
SYM.		