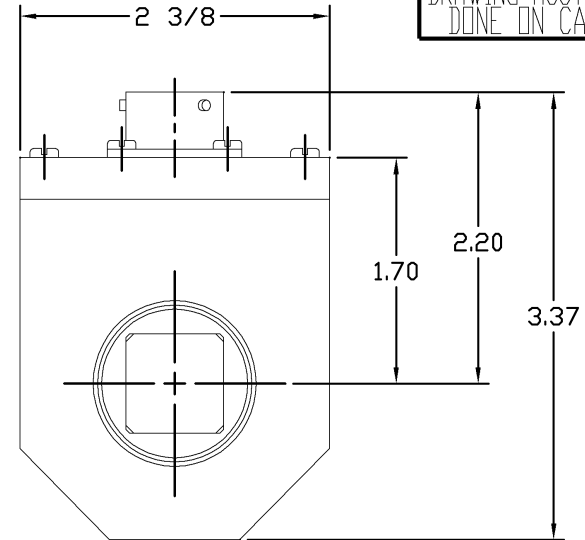
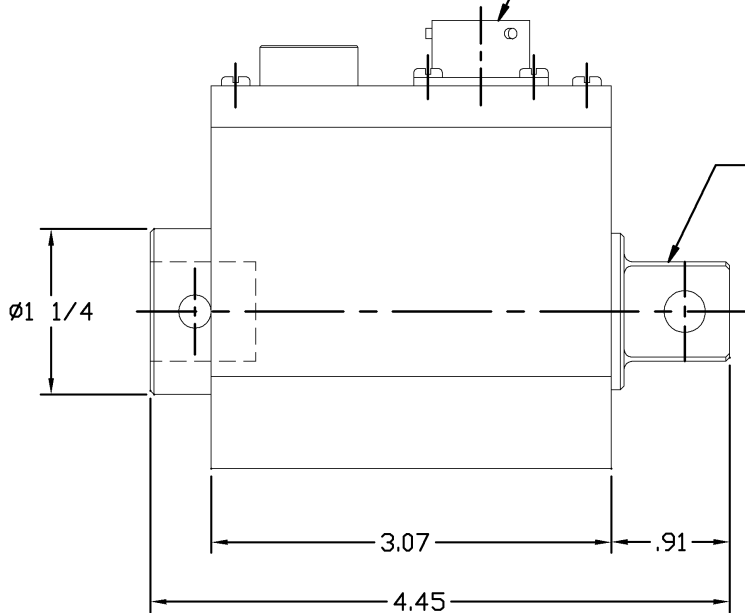


NOTICE TO PERSONS RECEIVING THIS DRAWING AND/OR TECHNICAL INFORMATION
 Lebow Products claims proprietary rights to the material disclosed herein. This drawing and/or technical information is issued in confidence for engineering information only and may not be reproduced or used to manufacture anything shown or referred to herein without direct written permission from Lebow Products to the user. This drawing and/or technical information is the property of Lebow Products and is loaned for mutual assistance, to be returned when its purpose has been served.

RECEPTACLE PT02H-12-10P
 (MATING CONNECTOR FURNISHED)

STD. 3/4" SQ. DRIVE
 WITH BALL & SPRING
 RETAINER ASSY



DO NOT SCALE DRAWING	B-35959	REV.
ALL CHANGES TO DRAWING MUST BE DONE ON CAD	 THIRD ANGLE PROJECTION	

DET. NO.	PART NO.	DESCRIPTION	REQ'D.
		Lebow Products Lebow Products Troy, Michigan	
UNLESS OTHERWISE SPECIFIED LINEAR DIMENSIONS ARE IN INCHES REMOVE ALL BURRS & ANGULAR DIMENSIONS ARE IN DEGREES SHARP EDGES DIMENSION LIMITS HELD AFTER PLATING SURFACE FINISH 125 ✓			
TOLERANCES			DR. BY: MGJ
DRILLED HOLES -.000 +.007	TWO PLACE DECIMALS ± .005	THREE PLACE DECIMALS ± .005	ENGR.
SCALE: NONE	REF. DWG. B-35960	FRACTIONAL DIMENSIONS ± 1/64	DATE: 11/8/01
DATE:	APPV'D.	CHG'D.	MODEL: 1254-307
ECN NO.	TITLE: O.D. DRAWING		DRAWING NO. B-35959
SYM.			REV.