

## Model 1369

### Steering Effort Torque Sensor



#### DESCRIPTION

Used in automotive or marine applications to measure torsion on a steering arm or steering wheel. The steering effort torque sensor is designed to be bolted to the steering column of a car, truck, bus, boat, or material handling equipment in place of the regular wheel. Position/angle encoding provided via resistive network. Standard capacity ranges of 50 ft-lb, 100 ft-lb, and 200 ft-lb, others available upon request.

#### FEATURES

- 50 ft-lb, 100 ft-lb, and 200 ft-lb capacities
- $\leq 0.50$  % non-linearity and hysteresis
- Direct to steering column attachment
- True steering torque - feedback for automobiles, trucks, buses, and material handling equipment
- Torque to position capability

# Model 1369

# Steering Effort Torque Sensor

## PERFORMANCE SPECIFICATIONS

Characteristic	Measure
Torque range	50, 100, 200 lb-ft
Non-linearity	≤0.50 % of rated output
Hysteresis	≤0.50 % of rated output
Repeatability	±0.35 % of rated output
Output @ rated capacity	±2 mV/V (nominal)

## ENVIRONMENTAL SPECIFICATIONS

Characteristic	Measure
Temperature, operating	-29 °C to 93 °C [-20 °F to 200 °F]
Temperature, compensated	21 °C to 77 °C [70 °F to 170 °F]
Temperature effect, zero	±0.002 % of rated output/°F
Temperature effect, output	±0.002 % of reading/°F

## ELECTRICAL SPECIFICATIONS

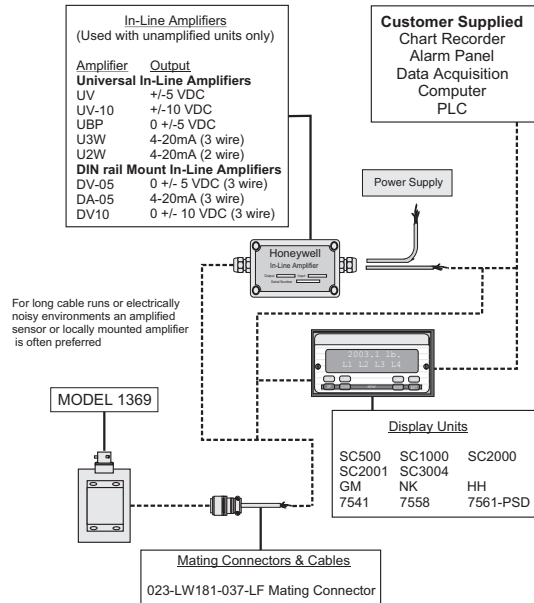
Characteristic	Measure
Excitation (maximum)	20 Vdc or Vac RMS
Insulation resistance	> 5000 mOhm @ 50 Vdc
Bridge resistance	700 ohm (nominal)
Number of bridges	1
Zero balance	±1.0 % of rated output

## MECHANICAL SPECIFICATIONS

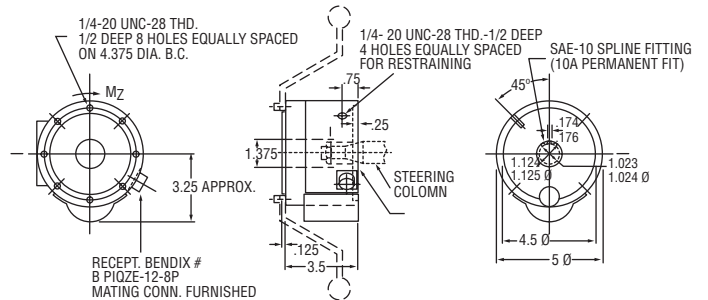
Characteristic	Measure
RPM	100
Overload	150 % of rated output

Model	Capacity lb-ft	Capacity Nm	Protected for overloads to lb-ft	Protected for overloads to Nm
1369-50	50	68	75	102
1369-100	100	136	150	204
1369-200	200	272	300	408

## TYPICAL SYSTEM DIAGRAM



## MOUNTING DIMENSIONS



For reference only

**Warranty.** Honeywell warrants goods of its manufacture as being free of defective materials and faulty workmanship. Honeywell's standard product warranty applies unless agreed to otherwise by Honeywell in writing; please refer to your order acknowledgement or consult your local sales office for specific warranty details. If warranted goods are returned to Honeywell during the period of coverage, Honeywell will repair or replace, at its option, without charge those items it finds defective. **The foregoing is buyer's sole remedy and is in lieu of all warranties, expressed or implied, including those of merchantability and fitness for a particular purpose. In no event shall Honeywell be liable for consequential, special, or indirect damages.**

While we provide application assistance personally, through our literature and the Honeywell web site, it is up to the customer to determine the suitability of the product in the application.

Specifications may change without notice. The information we supply is believed to be accurate and reliable as of this printing. However, we assume no responsibility for its use.

For more information about Sensing and Control products, visit [www.honeywell.com/sensing](http://www.honeywell.com/sensing) or call +1-815-235-6847

Email inquiries to [info.sc@honeywell.com](mailto:info.sc@honeywell.com)

**⚠ WARNING**  
**PERSONAL INJURY**

- DO NOT USE these products as safety or emergency stop devices or in any other application where failure of the product could result in personal injury.

**Failure to comply with these instructions could result in death or serious injury.**

**⚠ WARNING**  
**MISUSE OF DOCUMENTATION**

- The information presented in this catalogue is for reference only. DO NOT USE this document as product installation information.
- Complete installation, operation and maintenance information is provided in the instructions supplied with each product.

**Failure to comply with these instructions could result in death or serious injury.**