
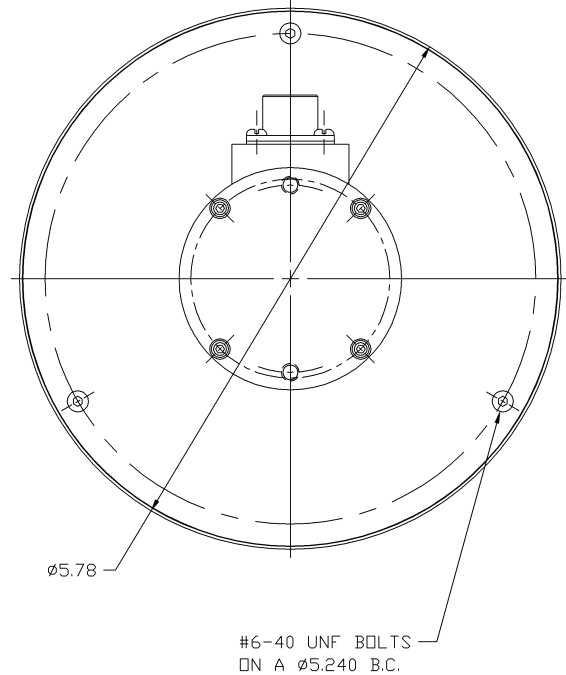
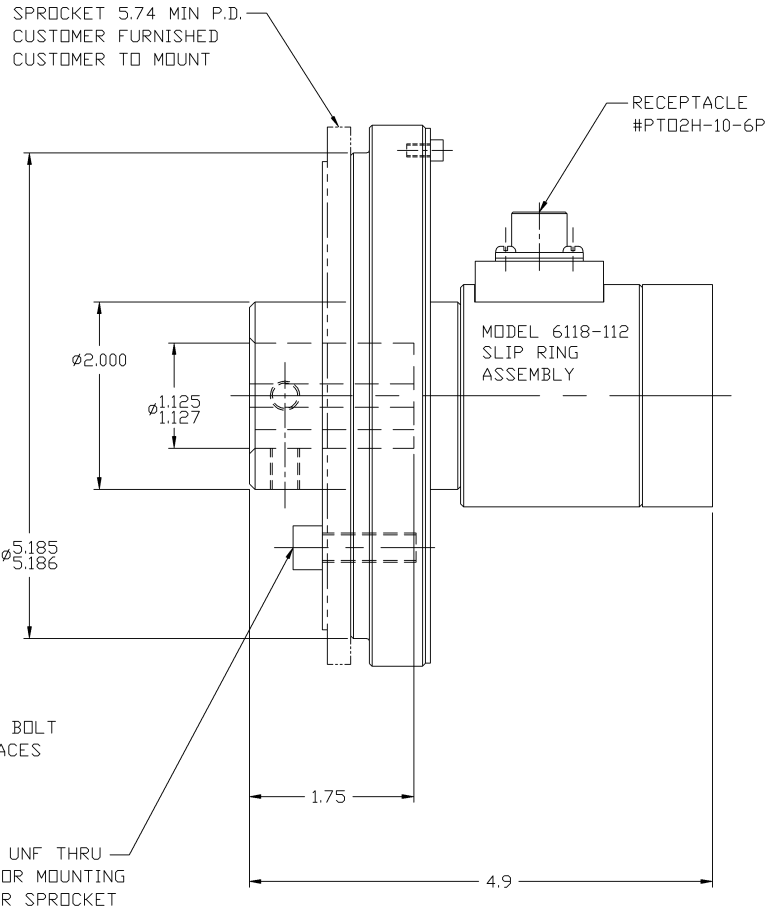
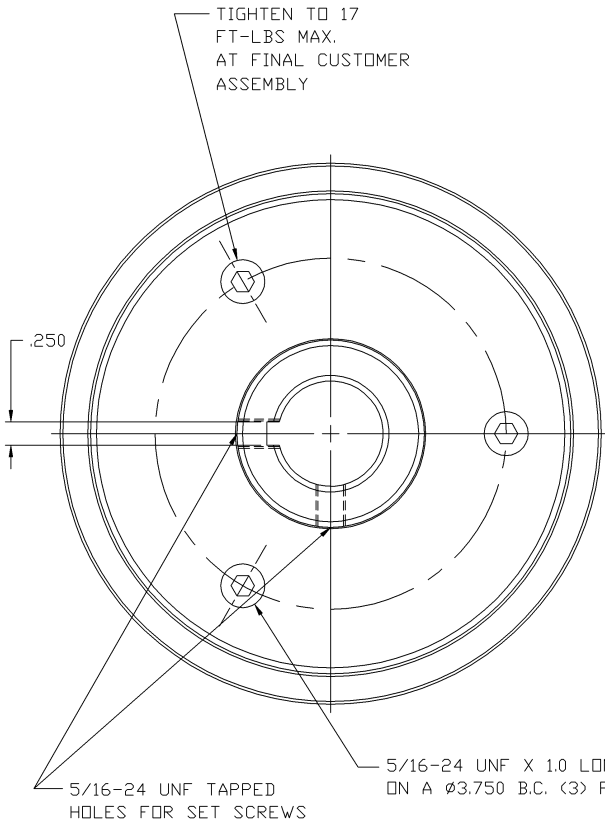


DO NOT SCALE DRAWING	C-30028	REV.
ALL CHANGES TO DRAWING MUST BE DONE ON CAD	 THIRD ANGLE PROJECTION	



**"NOTICE TO PERSONS RECEIVING THIS  
DRAWING AND/OR TECHNICAL INFORMATION"**  
 Lebow Products does proprietary rights to the material disclosed  
 hereon. This drawing and/or technical information is issued in  
 confidence for engineering information only and may not be repro-  
 duced or used to manufacture anything shown or referred to hereon  
 without direct written permission from Lebow Products to the  
 user. This drawing and/or technical information is the property of  
 Lebow Products and is loaned for mutual assistance, to be returned  
 when its purpose has been served.

REV. NO.	PART NO.	DESCRIPTION	REV'D.
		<b>Lebow Products</b> Lebow Products Troy, Michigan	
UNLESS OTHERWISE SPECIFIED LINEAR DIMENSIONS ARE IN INCHES REMOVE ALL BURRS & ANGULAR DIMENSIONS ARE IN DEGREES SHARP EDGES DIMENSION LIMITS HELD AFTER PLATING SURFACE FINISH 125 ✓			
<b>TOLERANCES</b>			
DRILLED HOLES ±.007	TWO PLACE DECIMALS ±.01	THREE PLACE DECIMALS ±.005	ANGLES ± 0 30'
SCALE: NONE	REF. DWG: C-30029	FRACTIONAL DIMENSIONS ± 1/64	MAT'L: - MODEL: 1388
DATE: 9/7/82	DR. BY: CW	CHK'D BY: GPH	ENR. DATE: 9/22/82
DATE: 9/22/82	DATE: 9/22/82	DATE: 9/22/82	DATE: 9/22/82
TITLE: SPROCKET SENSOR O.D.	DRAWING NO. C-30028	REV.	

REVISIONS	DATE	DESCRIPTION
	APPV'D.	
	CHG'D.	
	EDN NO.	
SYM.		