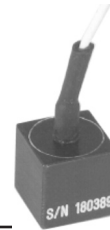


## Model MA23

### Accelerometer



#### DESCRIPTION

The Model MA23 subminiature amplified piezoelectric accelerometers are designed to be used in laboratory testing, modal analysis studies, and structural monitoring. The constant current low output impedance output combined with the ability to drive high load capacitance allows long runs of low cost cable without degradation of data. The Model MA23 features a high natural

frequency, a high sensitivity, a wide frequency range and a flat sensitivity vs. temperature response over the temperature range. The model MA23 would normally be mounted to the structure using beeswax or adhesive. The model MA23 can be supplied with different cable lengths.

#### FEATURES

- Subminiature size
- Low profile and light weight
- IEPE output
- mV/G output

# Model MA23

## PERFORMANCE SPECIFICATIONS

Characteristic	Measure
Dynamic range	±10 G
Sensitivity	1 V/G
Transverse sensitivity	5 % max.
Temperature sensitivity	0.145/°F
Frequency range	5 Hz to 14 kHz ±10 %
Amplitude linearity	Better than 1 % linearity
Mounted base resonance	25 kHz

## ENVIRONMENTAL SPECIFICATIONS

Characteristic	Measure
Temperature, operating	-57 °C to 121 °C [-70 °F to 250 °F]
Sealing	IP65/NEMA 2

## ELECTRICAL SPECIFICATIONS

Characteristic	Measure
Input	Constant current
Current range	0.5 mA to 8 mA
Bias voltage	12 V
Cable	PTFE
Standard cable length	4,9 m [16 ft]
Electrical noise	0.1 mG max.
Isolation	Base isolated

## MECHANICAL SPECIFICATIONS

Characteristic	Measure
Weight	0,009 kg [0.3 oz]
Material	HE 30 Aluminum
Mounting	Beeswax or adhesive

## SENSITIVITY CODES

Sensitivity Code	Sensitivity
<b>GH</b>	100 mV/G
<b>GG</b>	1000 mV/G (1v/g)

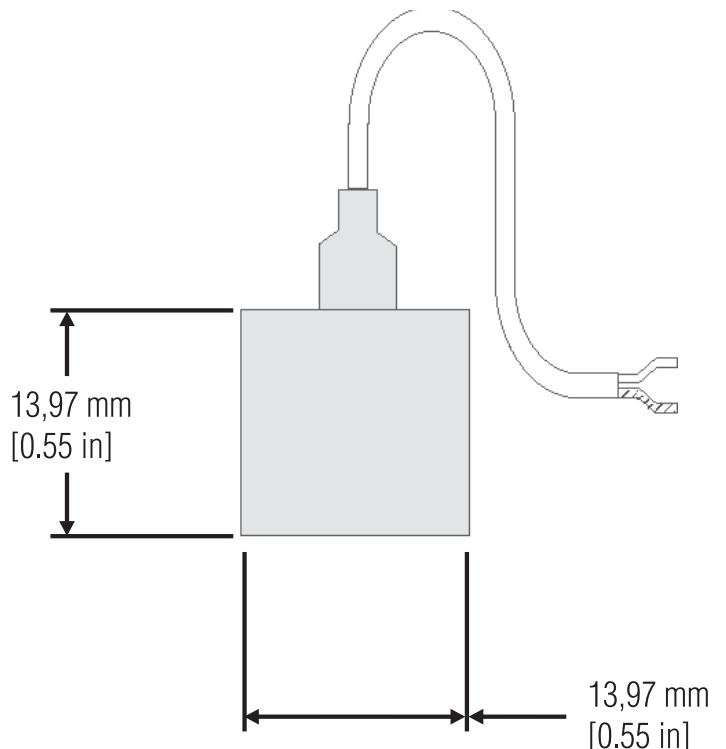
## OPTION CODES

	Many range/option combinations are available in our quick-ship and fast-track manufacture programs. Please see <a href="http://sensing.honeywell.com/TMsensor-ship">http://sensing.honeywell.com/TMsensor-ship</a> for updated listings.
<b>Sensitivity</b>	100 mV/G, 1000 mV/G (1 v/g)
<b>Electrical termination</b>	Cable length (specify at time of ordering)

## WIRING CODES

<b>Wire</b>	
Center	(+) Supply (+) Output
Shield	Connected to case

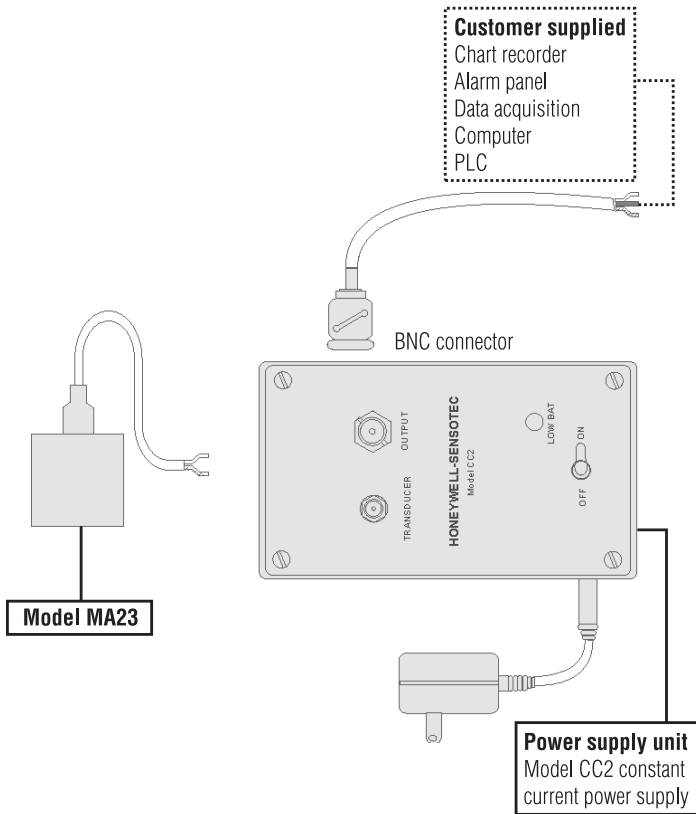
## MOUNTING DIMENSIONS



# Model MA23

# Accelerometer

## TYPICAL SYSTEM DIAGRAM



**Warranty.** Honeywell warrants goods of its manufacture as being free of defective materials and faulty workmanship. Honeywell's standard product warranty applies unless agreed to otherwise by Honeywell in writing; please refer to your order acknowledgement or consult your local sales office for specific warranty details. If warranted goods are returned to Honeywell during the period of coverage, Honeywell will repair or replace, at its option, without charge those items it finds defective. **The foregoing is buyer's sole remedy and is in lieu of all warranties, expressed or implied, including those of merchantability and fitness for a particular purpose. In no event shall Honeywell be liable for consequential, special, or indirect damages.**

While we provide application assistance personally, through our literature and the Honeywell web site, it is up to the customer to determine the suitability of the product in the application.

Specifications may change without notice. The information we supply is believed to be accurate and reliable as of this printing. However, we assume no responsibility for its use.

For more information about Sensing and Control products, visit [www.honeywell.com/sensing](http://www.honeywell.com/sensing) or call +1-815-235-6847. Email inquiries to [info.sc@honeywell.com](mailto:info.sc@honeywell.com)

### **⚠ WARNING** **PERSONAL INJURY**

- DO NOT USE these products as safety or emergency stop devices or in any other application where failure of the product could result in personal injury.

**Failure to comply with these instructions could result in death or serious injury.**

### **⚠ WARNING** **MISUSE OF DOCUMENTATION**

- The information presented in this catalogue is for reference only. DO NOT USE this document as product installation information.
- Complete installation, operation and maintenance information is provided in the instructions supplied with each product.

**Failure to comply with these instructions could result in death or serious injury.**

Sensing and Control  
Automation and Control Solutions  
Honeywell  
1985 Douglas Drive North  
Golden Valley, MN 55422 USA  
+1-815-235-6847  
[www.honeywell.com/sensing](http://www.honeywell.com/sensing)

008738-1-EN IL50 GLO  
May 2008  
Copyright © 2008 Honeywell International Inc. All rights reserved.

# Honeywell