

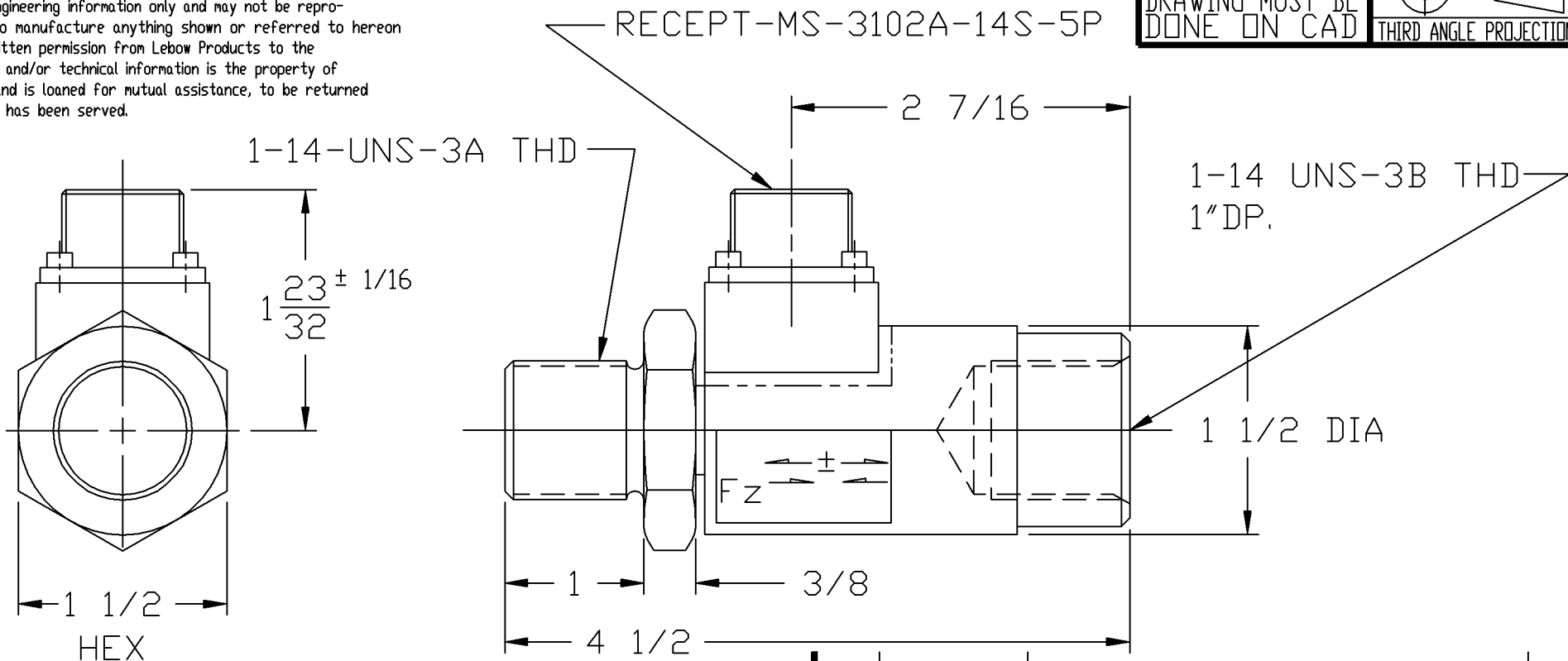
"NOTICE TO PERSONS RECEIVING THIS DRAWING AND/OR TECHNICAL INFORMATION:"

Lebow Products claims proprietary rights to the material disclosed hereon. This drawing and/or technical information is issued in confidence for engineering information only and may not be reproduced or used to manufacture anything shown or referred to hereon without direct written permission from Lebow Products to the user. This drawing and/or technical information is the property of Lebow Products and is loaned for mutual assistance, to be returned when its purpose has been served.

DO NOT SCALE DRAWING

A-3124-D REV.

ALL CHANGES TO DRAWING MUST BE DONE ON CAD



OUTPUT-2 MV/VOLT @ RATED CAP.

Ⓞ PERFORMANCE SPEC. S-3124

DET. NO.	PART NO.	DESCRIPTION	REQ'D.
----------	----------	-------------	--------



Lebow Products
Troy, Michigan

UNLESS OTHERWISE SPECIFIED
 LINEAR DIMENSIONS ARE IN INCHES REMOVE ALL BURRS & SHARP EDGES
 ANGULAR DIMENSIONS ARE IN DEGREES SURFACE FINISH 125 ✓
 DIMENSION LIMITS HELD AFTER PLATING

TOLERANCES				DR. BY:	CHK'D. BY:	ENGR.
DRILLED HOLES -000 +007	TWO PLACE DECIMALS ± .005	THREE PLACE DECIMALS ± .005	ANGLES ± 0' 30"	K.Z.		
SCALE: NONE	REF. DWG.	FRACTIONAL DIMENSIONS ± 1/64	MAT'L.	DATE: 2/24/70	DATE:	DATE:
MODEL: 3124				DRAWING NO. REV.		

TITLE:
O.D. TENSION & COMPRESSION LOAD CELL

DRAWING NO. A-3124-D REV.

REVISION	DESCRIPTION	DATE	APPV'D.	CHG'D.	ECN NO.	SYM.
2/18/99	ADDED PERF. SPEC.	3/6/86				
	REDRAWN TO CAD					

3124-25K	25000
3124-20K	20000
3124-15K	15000
3124-10K	10000
3124-5K	5000
MODEL NO.	CAP # ± Fz