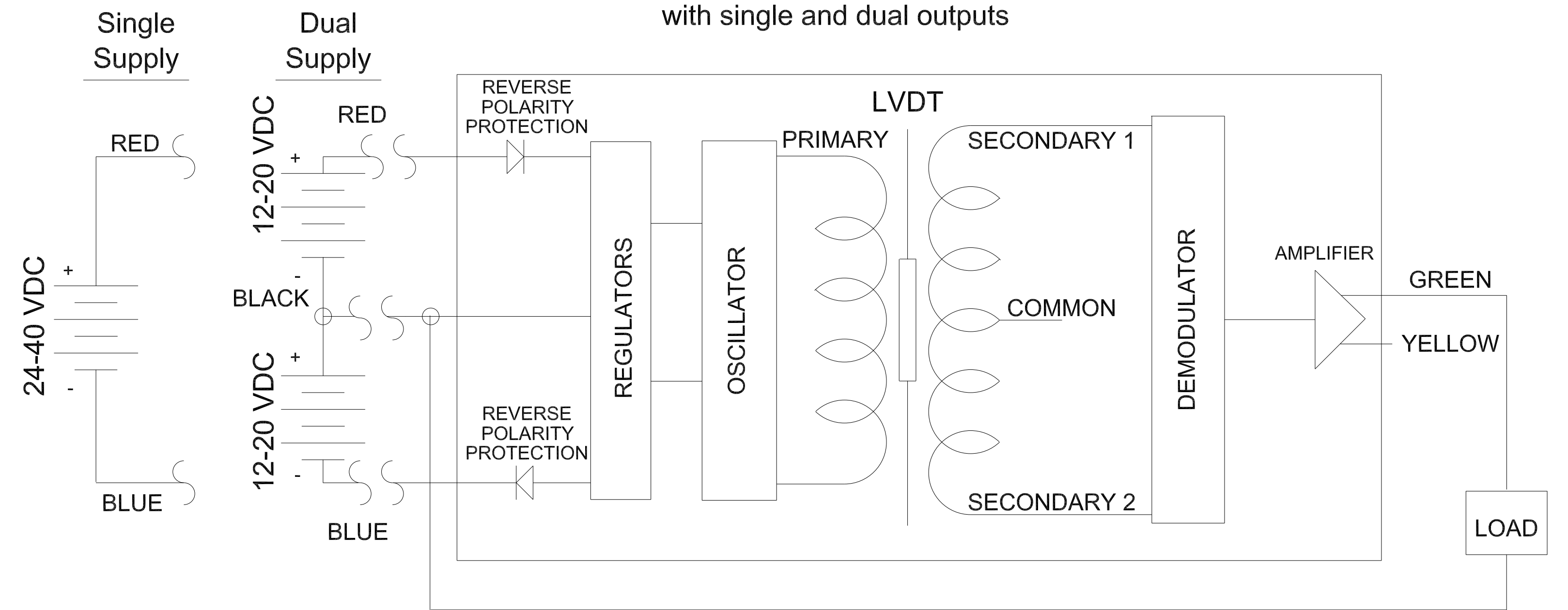
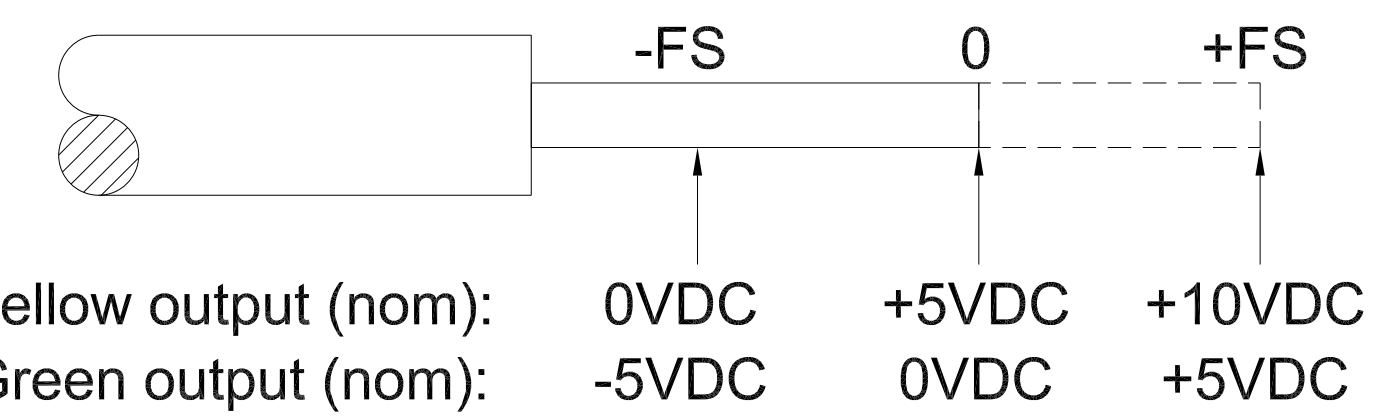


DC/DC LVDT (Single or Dual power supply)
with single and dual outputs



Note: Supply must be fully floating.
Output common floats at Vsupply/2.



SPECIFICATIONS

AVAILABLE RANGES:	SEE TABLE
SUPPLY:	SEE WIRING CODE
SENSITIVITY(NOM):	SEE WIRING CODE
NONLINEARITY:	± .25% F.S.
OPERATING TEMPERATURE:	-50°F TO 160°F
TEMPERATURE EFFECT:	
ON ZERO:	±.005% F.S./°F
ON SPAN:	±.015% F.S./°F
ARMATURE TYPE:	SPRING RETURN
CASE MATERIAL:	STAINLESS STEEL

COLOR	DESIGNATION
Red	(+)Supply
Blue	(-)Supply
Black	(-)Output common/Supply return
Green	(+)Output (± 5VDC, min. 10K Ohm load)
Yellow	(+)Output (0-10 VDC, min. 2K Ohm load)
Brown	No connection

-05				
-04	±.4	2.52	1.40	.88
-03	±.3	2.52	1.40	.70
-02	±.2	2.52	1.40	.50
060-G201-01	±.1	2.52	1.40	.45
PART NUMBER	RANGE	"L"	"L2"	"X"

-	INITIAL RELEASE TO PRODUCTION	-	-	-
REV	DESCRIPTION	REV BY	CHK BY	APV BY
DRW: DEITRICK 06/24/2003	CHK: FRESCO 06/25/2003	MFG: N/A	ENG: FRESCO 06/25/2003	

REV HIST	DO NOT SCALE		2080 ARLINGATE LANE COLUMBUS, OHIO 43228 WWW.SENSOTEC.COM
UNLESS OTHERWISE SPECIFIED:	.X		
ALL DIMENSIONS INCHES	±.1	© SENSOTEC, INC. ALL RIGHTS RESERVED	
INTERPRET PER ANSI Y14.5M-1982	.XX	OUTLINE DRAWING, MODEL S3C	
& SENSOTEC STD 072-DE73-01	±.01	CAPTIVE GUIDED SPRING RETURN	
	.XXX	CODE IDENT NO. 51518	DOCUMENT NUMBER
	±.005	SHEET 1 OF 1	SIZE A
	±1/2"	000-G201-00	

01112-DR