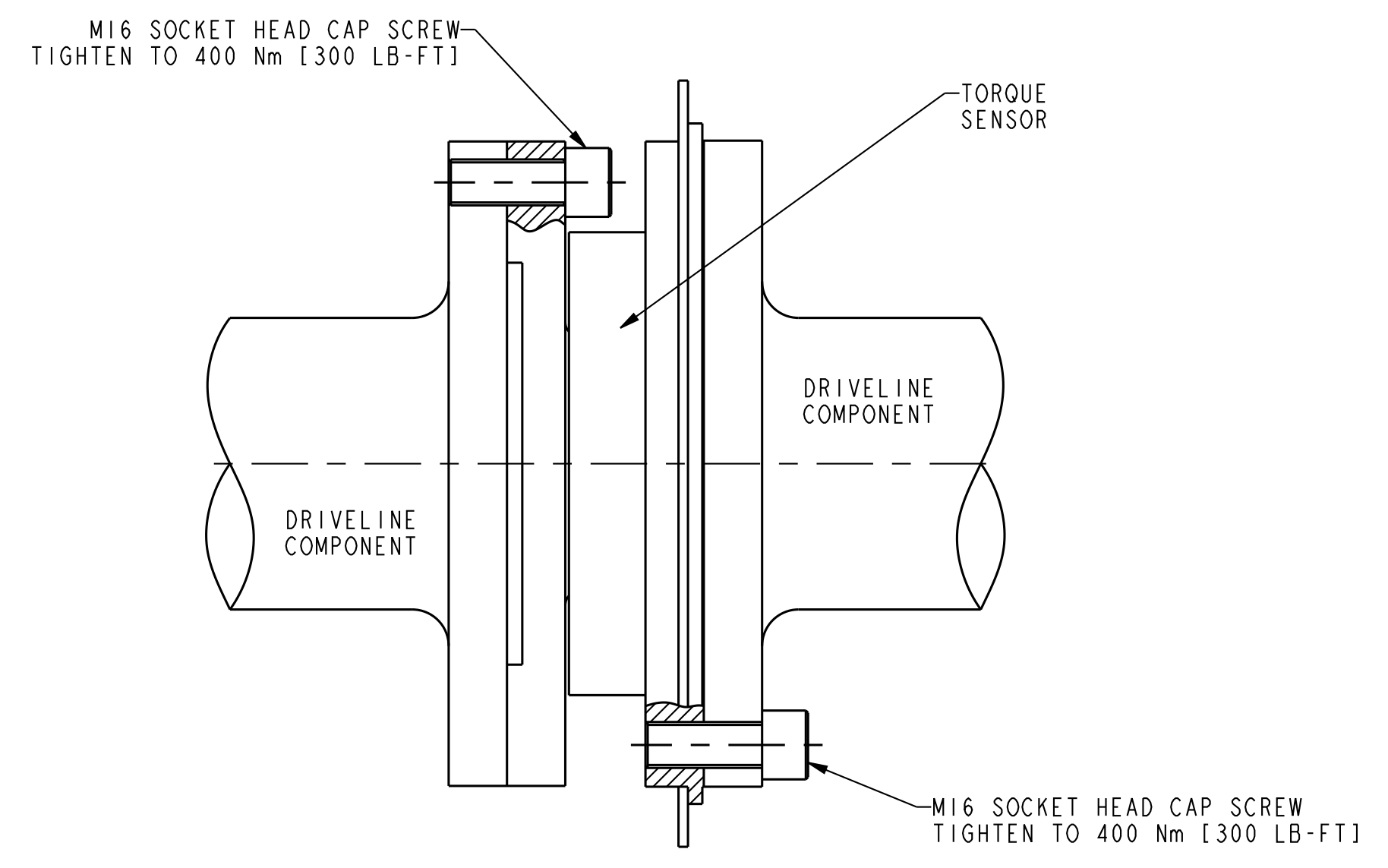


* KEEP AREA INDICATED
FREE OF METAL PARTS
SEE NOTES #4 & 5



NOTES
1 - BALANCED TO ISO-1940 : GRADE 2.5
2 - PILOT DIAMETERS IN ACCORDANCE WITH ANSI B4.1
(ANSI STANDARD FOR LIMITS & FITS)
3 - USE THREAD LOCKING COMPOUND AN ALL THREADS.

DESIGN UNITS: INCH TOLERANCES UNLESS NOTED:	DRAWN DN 01DEC10 CHECK VSY 01DEC10	Honeywell	
NO PLACES .x ± ONE PLACE .xx ± TWO PLACE .xxx ± THREE PLACE .xxx ± ANGLES x ±	THIS DRAWING COVERS A PROPRIETARY ITEM AND IS THE PROPERTY OF HONEYWELL. THIS DRAWING IS NOT TO BE COPIED OR USED WITHOUT THE PERMISSION OF HONEYWELL.	TITLE OD DRAWING, MODEL 92516	
THIRD ANGLE PROJECTION	INTERPRET PER ASME Y14.5M-1994 OTHER HONEYWELL ENGINEERING STANDARDS MAY APPLY	SIZE TYPE CAGE CODE DRAWING NAME D I - 000-LW92516	REV A
	Pro/ENGINEER 3D SCALE 3:4	SHEET 1 OF 1	