

## Interactive Catalog Supplements Catalog PDFs

If you need detailed product information, or help choosing the right product for your application, see our **Interactive Catalog**. Use the **Interactive Catalog** to access the most complete and up-to-date information available.

The **Interactive Catalog** provides an extensive collection of product specifications, application data, and technical literature that can be searched based on criteria you select.

This PDF catalog information was published in November 2000.



Sensing and Control  
**Interactive  
Catalog...**

**Click this icon to try  
the Interactive Catalog.**

---

### Sensing and Control

Honeywell Inc.

11 West Spring Street

Freeport, IL 61032

## Enclosed Switches



### FEATURES

- Pilot light (optional)
- Cast aluminum housing
- Side or flange mount

- Single and double conduit openings
- UL Recognized, file #E12252
- Grounding screw
- Sealed to NEMA 1, 3, 4, and 13

### ACCESSORIES

Pilot Light 110-220 VAC (complete with seal) ..... 15LT1  
 Wiring Seal (for No. 14 type "S" rubber jacketed cord) ..... 2PA1

### ELECTRICAL RATING

Circuitry	Electrical Rating
<p>Single-pole Double-throw</p>	<p>A UL Rating                      15 amp, 125, 250 or 480 VAC;                      2 amp, 600 VAC;                      1/8 Hp, 125 VAC; 1/4 Hp, 250 VAC;                      1/2 amp, 125 VDC; 1/4 amp 250 VDC.</p>

BZG/BZH switches have a neoprene seal between the housing halves, elastomer boot actuators, sealed conduit connectors, and die cast aluminum housing. Mounting holes are located outside the switch cavity and accept No. 10 screws. A neon pilot light can be added to switches having two conduit openings to indicate contact status.

## STRAIGHT PLUNGER ACTUATED SWITCHES



Flange mount  
with seal boot

### ORDER GUIDE

Description	Elec. Rating	Mtg.	Catalog Listing		O.F. N oz.	P.T. max. mm in.	O.T. min. mm in.	D.T. max. mm in.
			1 Conduit Opening	2 Conduit Openings				
With seal boot. SPDT.	A	Side	<b>BZG1-2RN</b>	<b>BZG2-2RN</b>	2,50-6,68 9-24	1,98 .078	5,56 .219	0,05 .002
		Flange	<b>BZH1-2RN</b>					
Seal boot with roller plunger	A	Side	<b>BZG1-2RN80</b>	—				

## ROLLER LEVER ACTUATED SWITCHES



Side mount  
with seal boot

### ORDER GUIDE

Description	Elec. Rating	Mtg.	Catalog Listing		O.F. N oz.	P.T. max. mm in.	O.T. min. mm in.	D.T. max. mm in.
			1 Conduit Opening	2 Conduit Openings				
With seal boot. Field adjustable 360° horizontally and 225° vertically. SPDT.	A	Side	<b>BZG1-2RN2</b>	<b>BZG2-2RN2</b>	2,78-5,57 10-20	4,78 .188	5,56 .219	0,15 .006
		Flange	<b>BZH1-2RN2</b>					

## LOW FORCE ROD ACTUATED SWITCHES



Side mount  
with seal boot

### ORDER GUIDE

Rod can be cut or bent to suit application needs

Description	Elec. Rating	Mtg.	Catalog Listing		O.F. N oz.	P.T. max. mm in.	O.T. min. mm in.	D.T. max. mm in.
			1 Conduit Opening	2 Conduit Openings				
With seal boot. Field adjustable 360° horizontally and 250° vertically. SPDT.	A	Side	<b>BZG1-2RN62</b>	<b>BZG2-2RN62</b>	0,83-1,95 3-7	18,24 .718	21,29 .838	5,82 .229
		Flange	<b>BZH1-2RN62</b>					

N = Newtons

Characteristics: O.F. — Operating Force; P.T. — Pretravel; O.T. — Overtravel; D.T. — Differential Travel

For rapid response – off the shelf service, all **bold face** listings are normally stocked items.

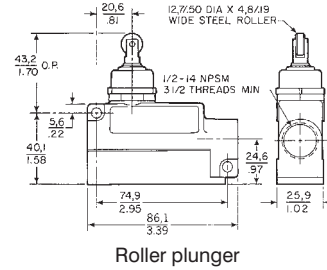
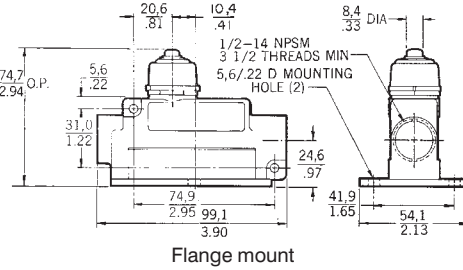
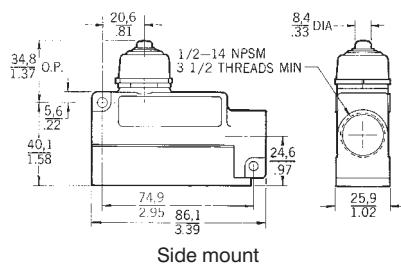
## Enclosed Switches

### REPLACEMENT PARTS

	Catalog Listing
<b>Switching Units</b> For Straight Plunger Switch For Roller or Rod Lever Switch	<b>BZ-2RN770</b> <b>BZ-2RN702</b>
<b>Actuators</b> Roller Lever Rod Lever <b>Seal Boot</b> , including retaining hardware	<b>6PA2</b> <b>6PA140-E6</b> <b>10PA2</b>

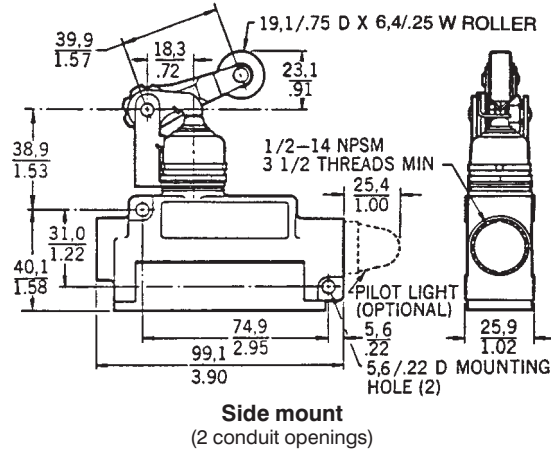
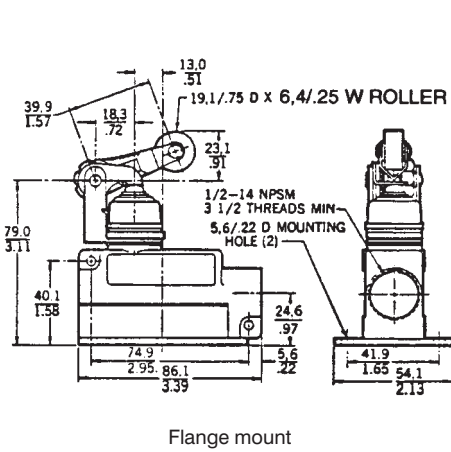
### MOUNTING DIMENSIONS (For reference only)

#### PLUNGER

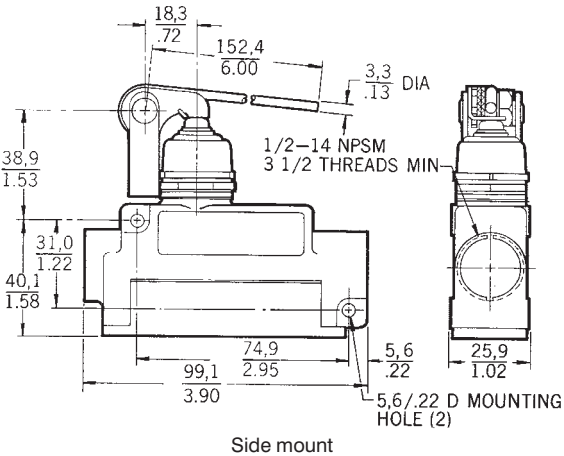
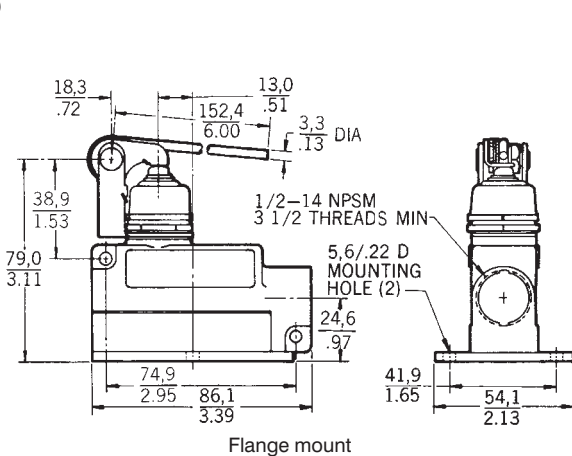


Limit/Enclosed

#### ROLLER LEVER



#### ROD



Key:  $\frac{0,0}{0.00} = \frac{\text{mm}}{\text{inches}}$