

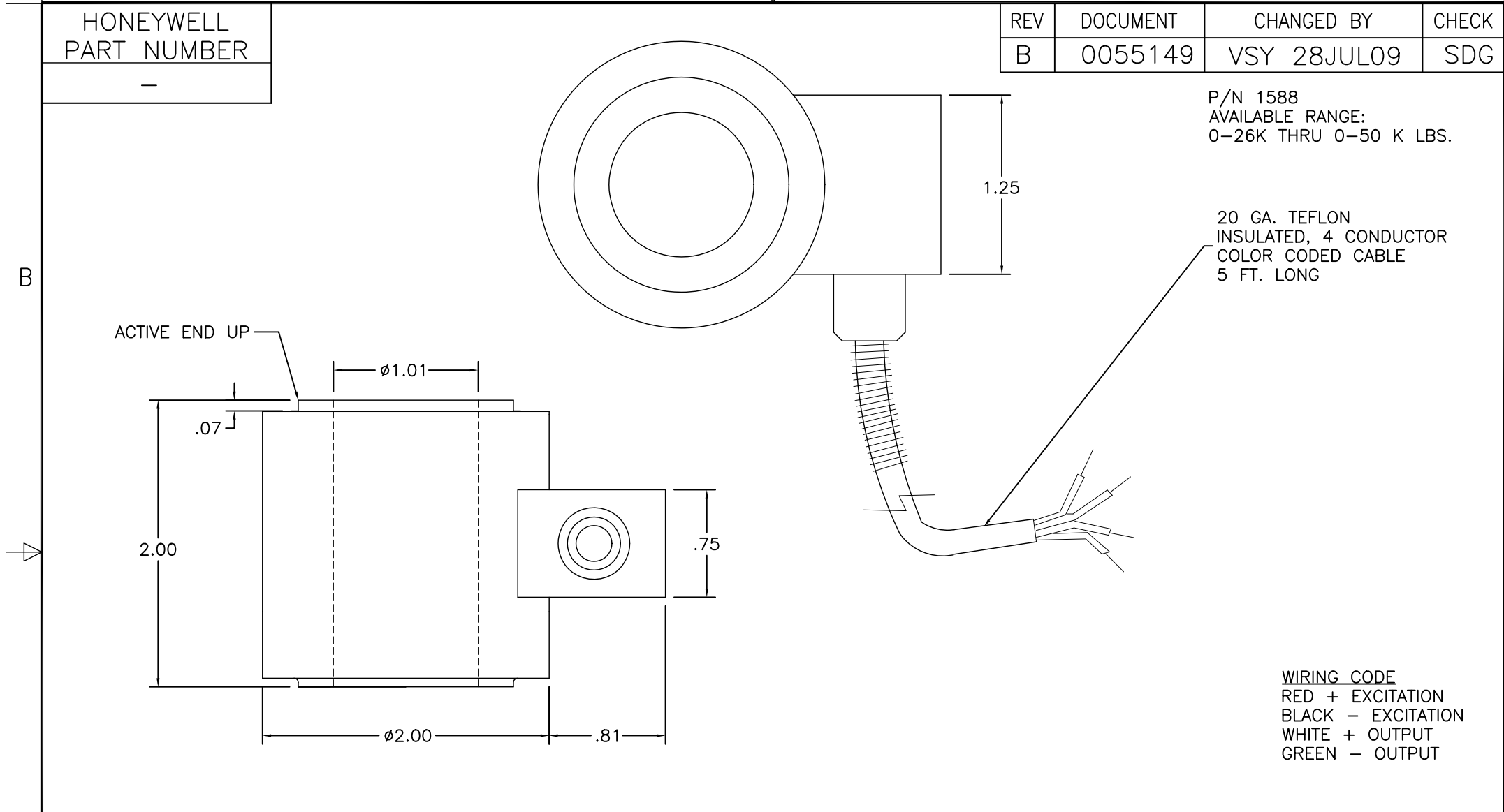
HONEYWELL PART NUMBER
-

REV	DOCUMENT	CHANGED BY	CHECK
B	0055149	VSY 28JUL09	SDG

P/N 1588
AVAILABLE RANGE:
0-26K THRU 0-50 K LBS.

20 GA. TEFLON
INSULATED, 4 CONDUCTOR
COLOR CODED CABLE
5 FT. LONG

WIRING CODE
RED + EXCITATION
BLACK - EXCITATION
WHITE + OUTPUT
GREEN - OUTPUT



A

DESIGN UNITS: INCH			
TOLERANCES UNLESS NOTED:			
NO PLACES	X	±	-
ONE PLACE	.X	±	.2
TWO PLACE	.XX	±	.02
THREE PLACE	.XXX	±	.010
ANGLES	X	±	.5°
THIRD ANGLE PROJECTION			

DRAWN	SR	25FEB86
CHECK	-	-
THIS DRAWING COVERS A PROPRIETARY ITEM AND IS THE PROPERTY OF HONEYWELL. THIS DRAWING IS NOT TO BE COPIED OR USED WITHOUT THE PERMISSION OF HONEYWELL.		
INTERPRET PER ASME Y14.5M-1994 OTHER HONEYWELL ENGINEERING STANDARDS MAY APPLY		
AUTOCAD		

Honeywell				
TITLE OUTLINE, MODEL "TH" LOADCELL W/CABLE EXIT				
SIZE	TYPE	CAGE CODE	DRAWING NAME	REV
A	I	51518	000-1776-00	B
SCALE	-		SHEET	